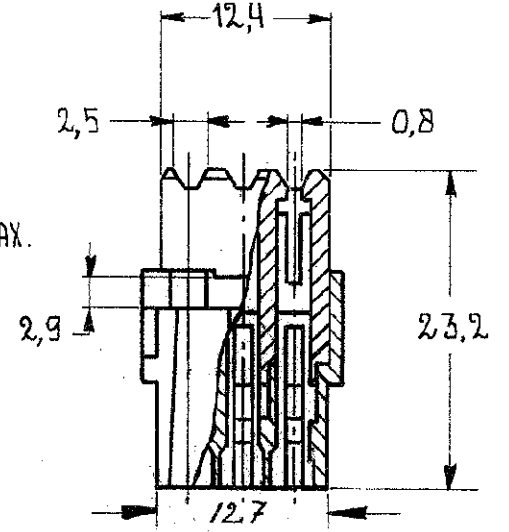
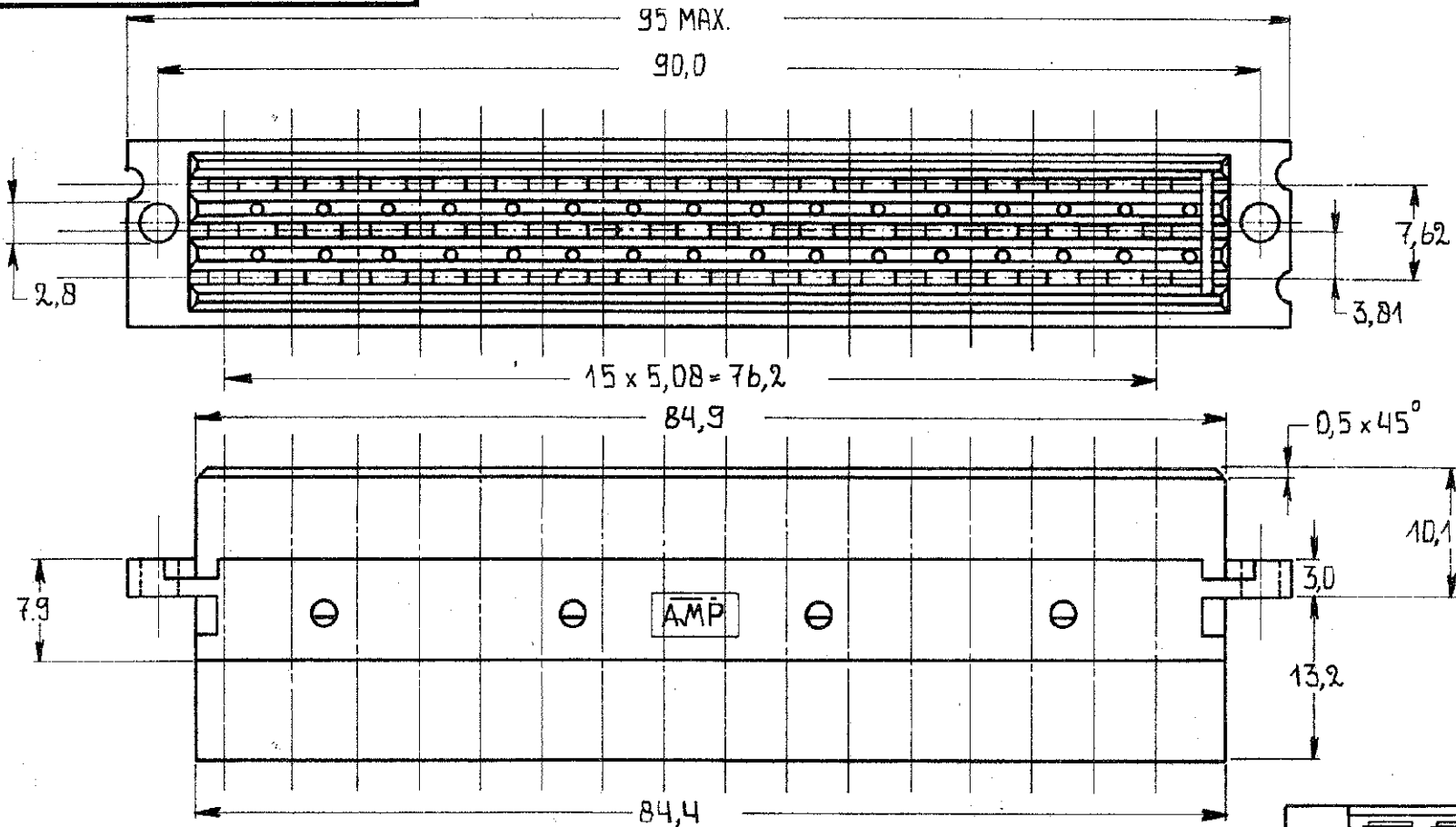


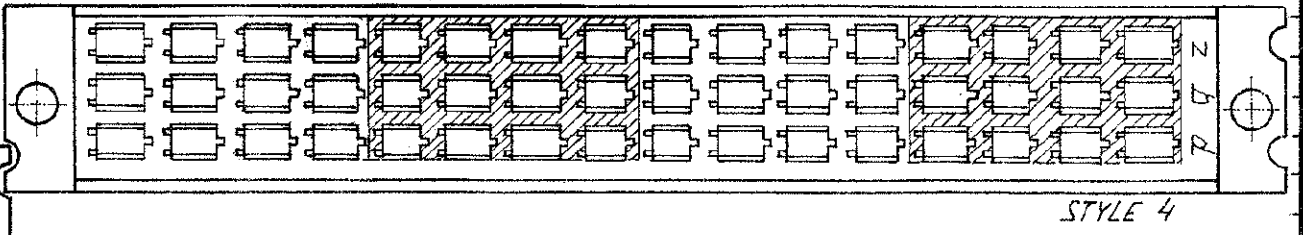
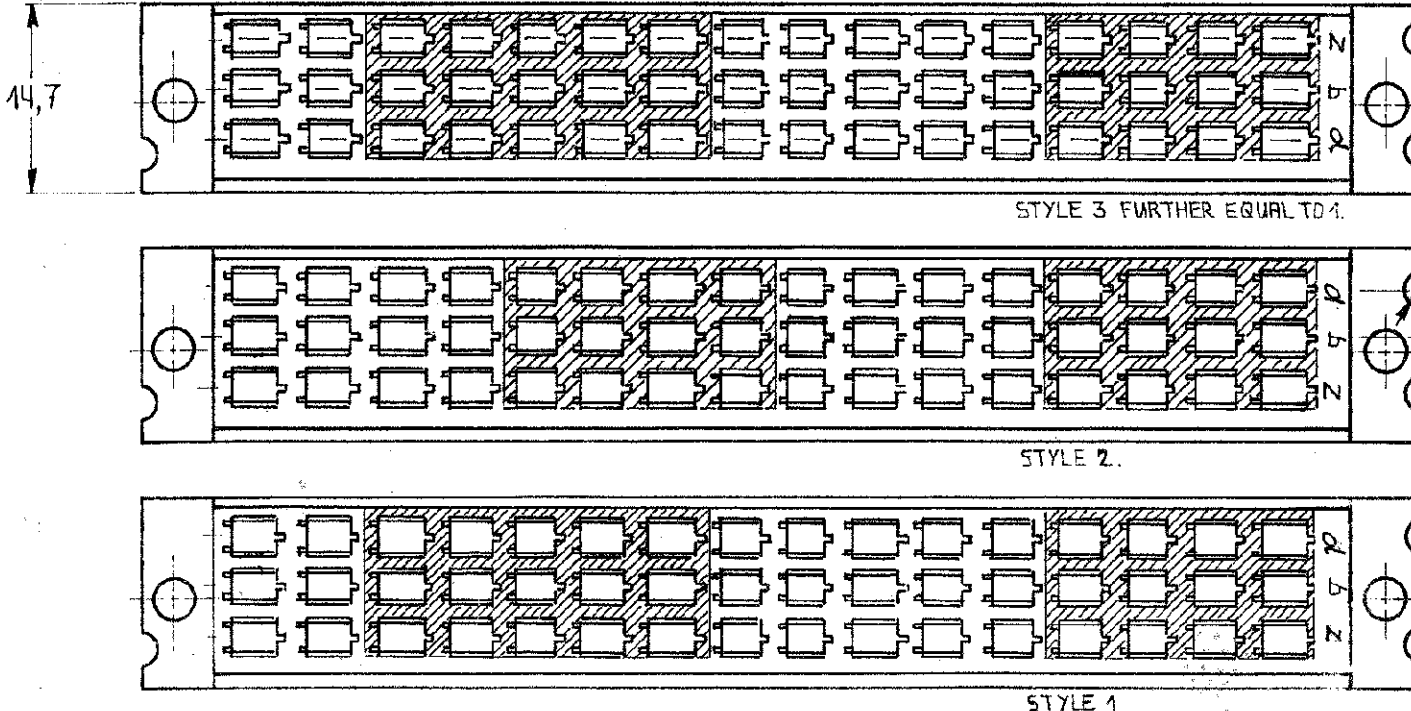
DRAWING MADE IN AMERICAN PROJECTION

REV	DESCRIPTION	DATE	DWN	APR
G1	ECO-11-005027	6APR11	RK	HMR



△ OBSOLETE

NOTE: BLOCK MARKING AND CAVITY NUMBERS PRINTED IN GREEN COLOR.



166569-9	20% GLASS FILLED NORYL	GREY RAL 7032	4
166569-8	20% GLASS FILLED NORYL	GREY RAL 7032	3
166569-7	20% GLASS FILLED NORYL	GREY RAL 7032	1
166569-1	20% GLASS FILLED NORYL	GREY RAL 7032	2
ORDER NO.	MATERIAL	COLOR	STYLE

NUMBER 166569

**CUSTOMER COPY FOR REFERENCE ONLY**

DR L.VAN DER HEYDEN	DATE 29.09.80	 TE Connectivity	
DATE 9.10.80	DATE 8.10.80		
WIRE-RANGE	INSUL.-RANGE	FIRST USED	SCALE 2:1
SIZE B	NO C 166569	SHEET 1 OF 2	
NAME HOUSING, 48 POS. MID IEC CONNECTOR FOR CRIMP/SNAP-IN TAB RECEPTACLES (FEM.)		REV G1	

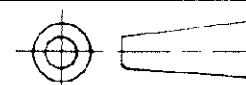
DIMENSIONS IN M.M. DO NOT SCALE PRINT

DO NOT SCALE

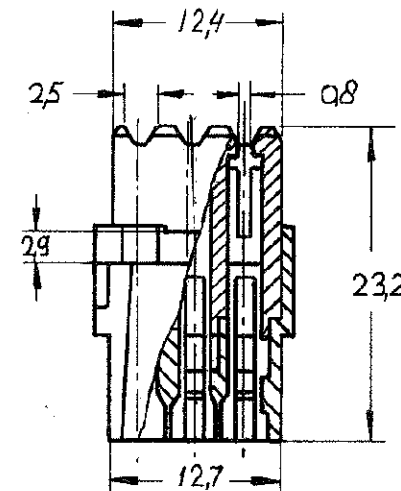
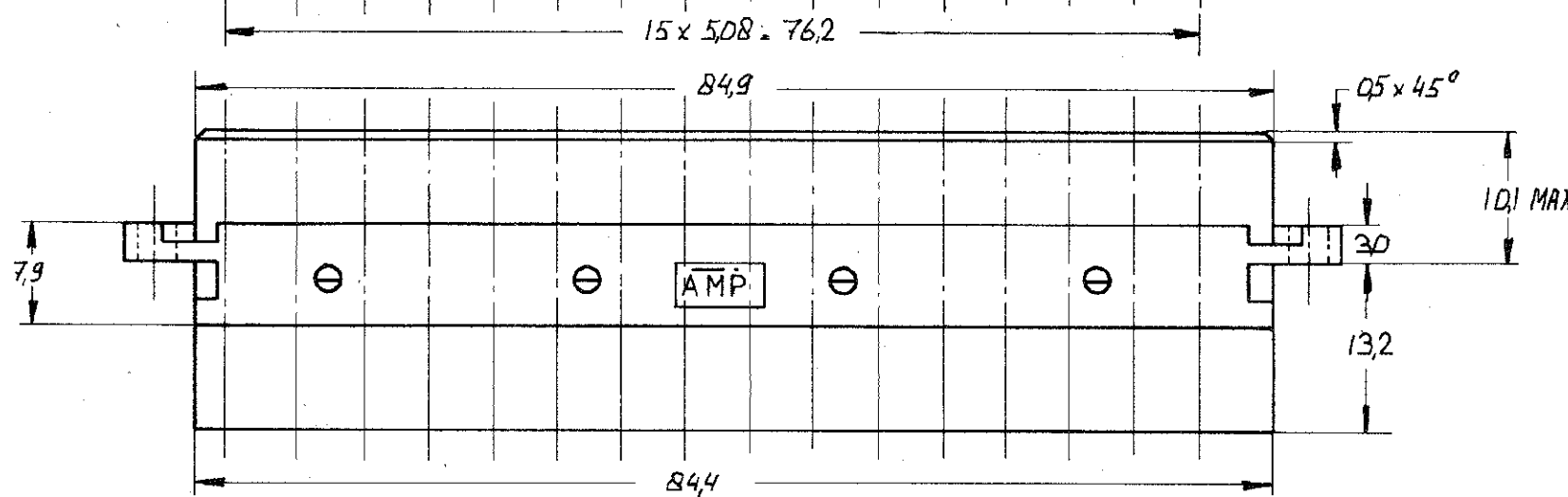
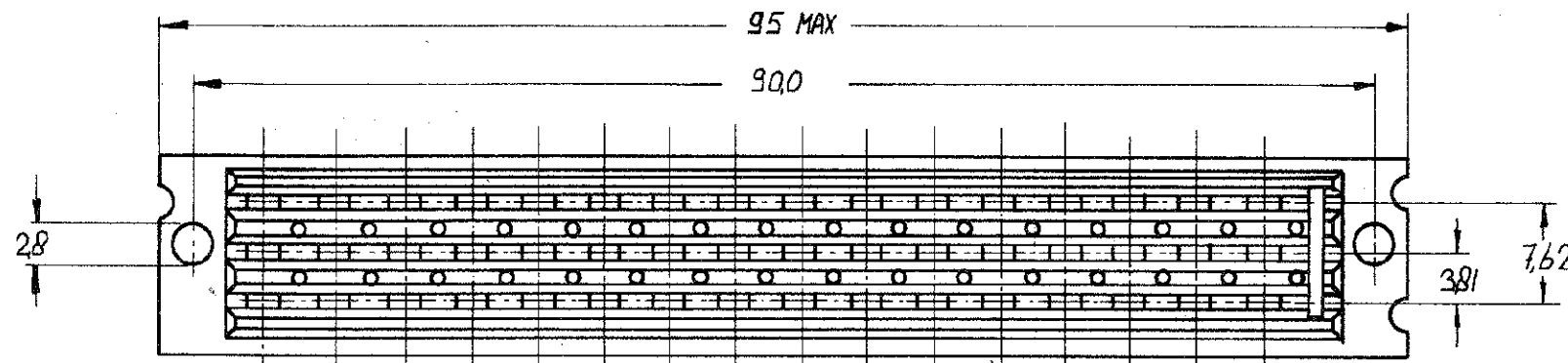
DIMENSIONS IN mm

METRIC

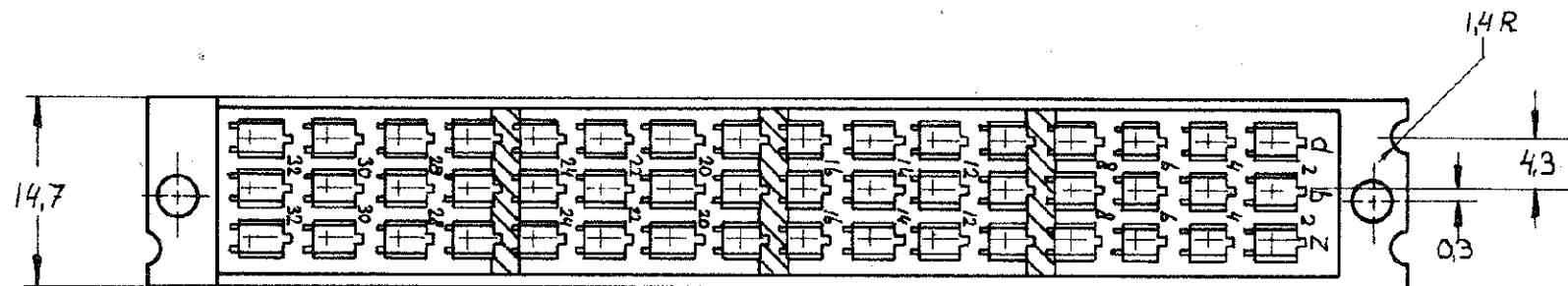
THIRD ANGLE  
PROJECTION



REV	DESCRIPTION	DATE	DWN	APR
-	SEE SHEET 1	-	-	-



NOTE:  
1: BLOCK MARKING AND CAVITY NUMBERS PRINTED  
IN GREEN COLOR.



<p><b>CUSTOMER DRAWING</b></p> <p>FOR REFERENCE ONLY WILL NOT BE UPDATED</p>	GREY RAL 7032 COLOUR	GLASSFILLED NORYL 20% MATERIAL	1.166569.0 PART NUMBER	
	TE Connectivity			
	THIS DRAWING IS UNPUBLISHED		RELEASED FOR PUBLICATION	
	DR. M.VAES 19.1.83	WIRE RANGE	NAME 48 POS FEMALE HOUSING TYPE F FOR CRIMP/SNAP IN CONTACT.	REV. DATE D M Y 6 04 11
CHK 20-1-83	INSUL RANGE	SIZE A3	SHEET 2 OF 2	
APP.	DRAWING NO <b>C</b> 166569	REV LTR G1		

8 7 6 5 4 3 2 1