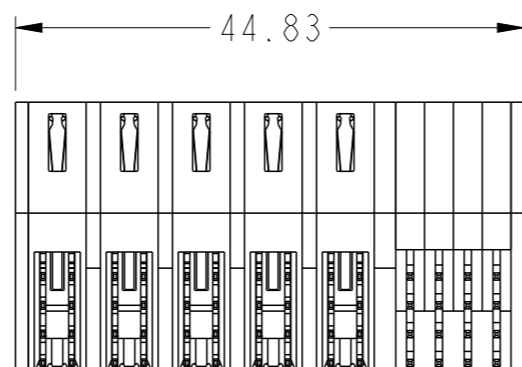
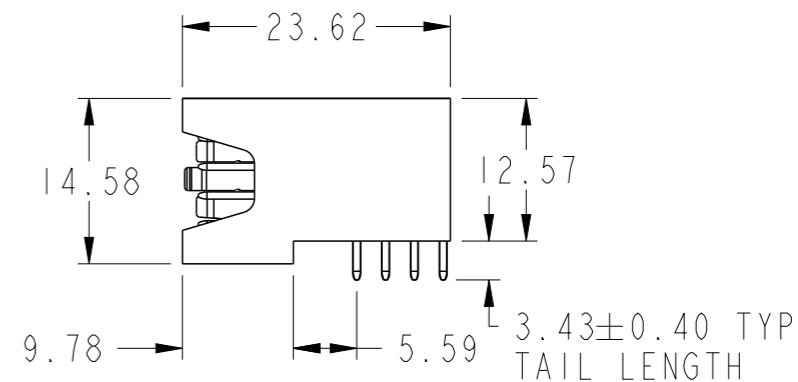
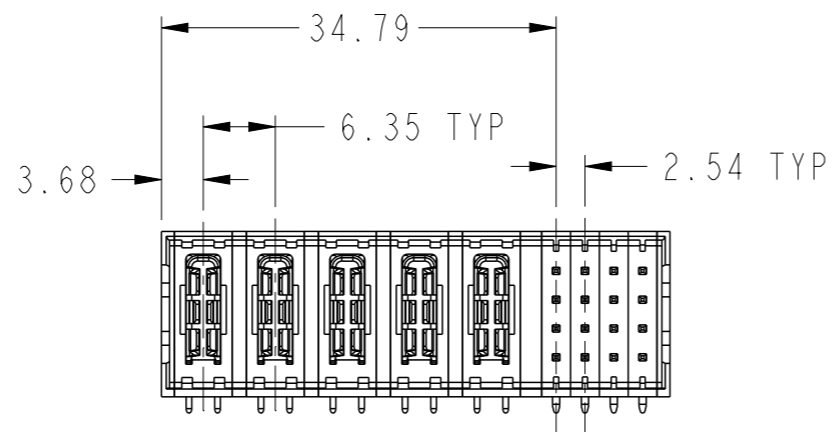
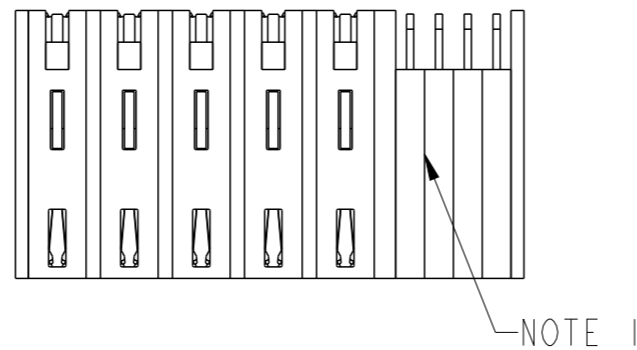


PRODUCT NUMBER SEE SHEET 2



spec ref	*	dr	Rainbow Zhan	2014/07/04	projection	MM	size	A3	scale	3:2
tolerance std	ASME Y14.5	eng	Rainbow Zhan	2014/07/15			ecn no	-	rel level	Released
TOLERANCES UNLESS OTHERWISE SPECIFIED		chr	Li-He	2014/07/14						
surface	<input checked="" type="checkbox"/> linear <input type="checkbox"/> angular	0.X ±0.5 0.XX ±0.25 0.XXX ±0.10			title 5HP + 16S RA STB HEADER		dwg no 10106124-5004101	rev A		
ASME Y14.5	angular	0° ±2°	www.fci.com	cat. no.	Product - Customer Drw		sheet 1 of 3			

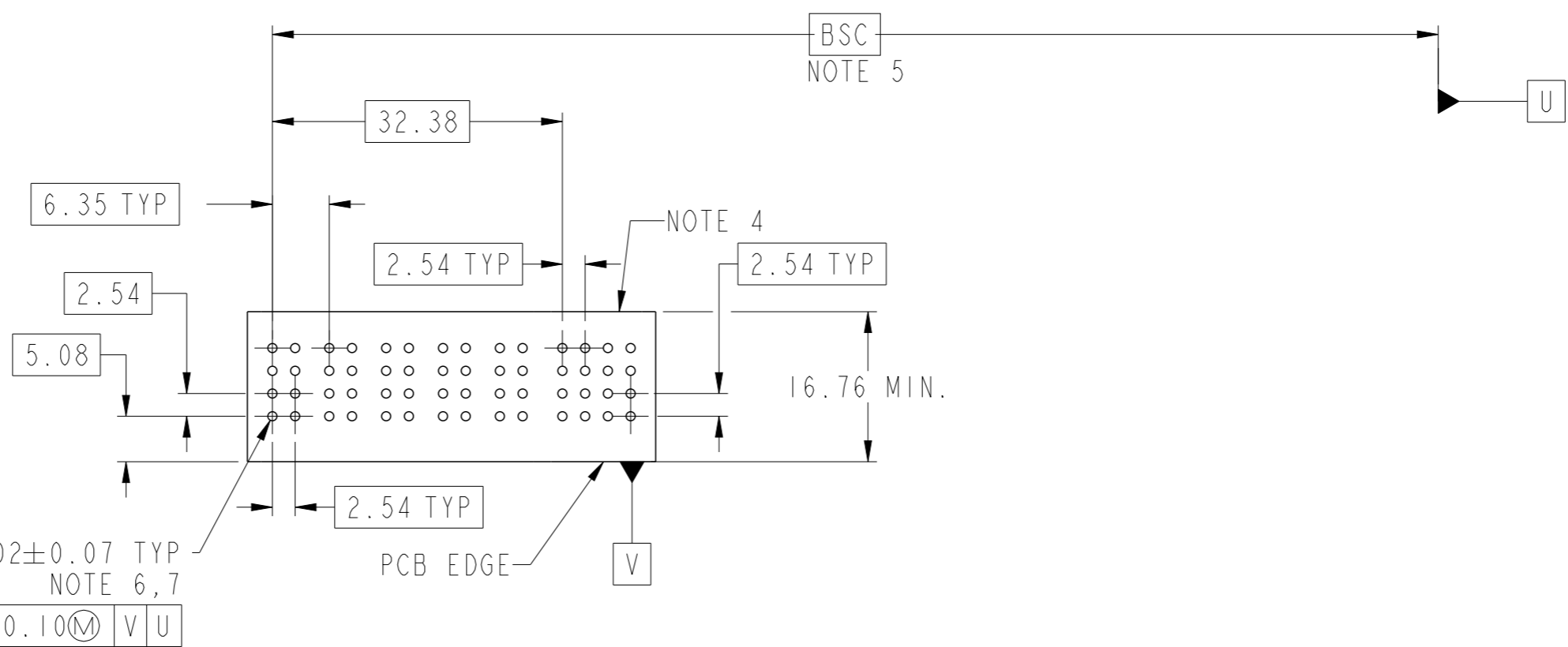
1

2

3

4

PRODUCT NO.	ROWS	HIGH POWER					SIGNAL					
		E1	P1	P2	P3	P4	P5	1	2	3	4	E2
10106124-5004101LF	D C B A		H1	H1	H1	H1	H1	U	U	U	U	
			T	T	T	T	T	S	S	S	S	
			R	R	R	R	R	R	R	R	R	



⊕	⊙0.10	M	V	U
---	-------	---	---	---

CODE	DESCRIPTION
HI	STD HIGH POWER CONTACT (3.43)
R	STD SIGNAL CONTACT, ROW A (3.43)
S	STD SIGNAL CONTACT, ROW B (3.43)
T	STD SIGNAL CONTACT, ROW C (3.43)
U	STD SIGNAL CONTACT, ROW D (3.43)

dr	Rainbow Zhan	2014/07/04	projection	MM	size	A3	scale	3:2
eng	Rainbow Zhan	2014/07/15			ecn no			
chr	Li-He	2014/07/14			-			
appr	Pei-Ming Zheng	2014/07/15	product family	PwrBlade+	rel level			
					5HP + 16S		rev A	
www.fci.com			cat. no.		Product - Customer Drw		sheet 2 of 3	



Copyright FCI.

1

2

3

4

A

B

C

D

A

B

C

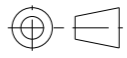
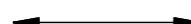

D

NOTES:

- 1) "FCI", PART NUMBER AND DATE CODE TO BE MARKED ON THIS SURFACE.
THE MARK CAN BE OMITTED IF THERE IS NOT ENOUGH SPACE ON THIS SURFACE.
- 2) MATERIALS:
-HOUSING - GLASS FILLED WITH HIGH TEMP THERMOPLASTIC, UL94V-0.
-SIGNAL CONTACT - COPPER ALLOY.
-POWER CONTACT - HIGH CONDUCTIVITY COPPER ALLOY.
- 3) PLATING SPECIFICATION REFER TO FCI 10124315.
- 4) DENOTES CONNECTOR KEEP OUT ZONE.
- 5) DATUM AND BASIC DIMENIONS WERE ESTABLISHED BY CUSTOMER.
- 6) ALL HOLE DIAMETERS ARE FINISHED HOLE SIZES.
- 7) 1.15 ± 0.025 MM DRILLED HOLE PLATED WITH 0.00762MM MIN Sn
OVER 0.0254-0.0762MM Cu PLATING TO ACHIEVE A 1.02 ± 0.07 MM HOLE.
- 8) PRODUCT SPECIFICATION REFER TO FCI GS-12-658.
APPLICATION SPECIFICATION REFER TO FCI GS-20-141.
PRODUCT PACKAGED IN TRAYS, REFER TO FCI GS-14-1502.



Copyright FCI.

dr	Rainbow Zhan	2014/07/04	projection 	MM 	size	A3	scale	3:2
eng	Rainbow Zhan	2014/07/15			ecn no	-		
chr	Li-He	2014/07/14			product family	PwrBlade+	rel level	Released
appr	Pei-Ming Zheng	2014/07/15						
		title 5HP + 16S RA STB HEADER		dwg no 10106124-5004101	rev A			
www.fci.com		cat. no.	Product - Customer Drw		sheet 3 of 3			