

DWG. NO. SD-35413-001

SIMILAR ITEM

PROJECT NO.

C

B

DO NOT SCALE DRAWING DIMENSION IN METRIC

8

7

6

5

4

3

2

1

F

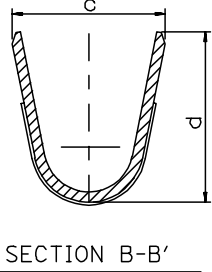
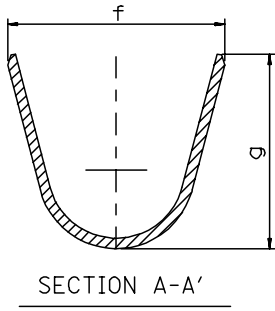
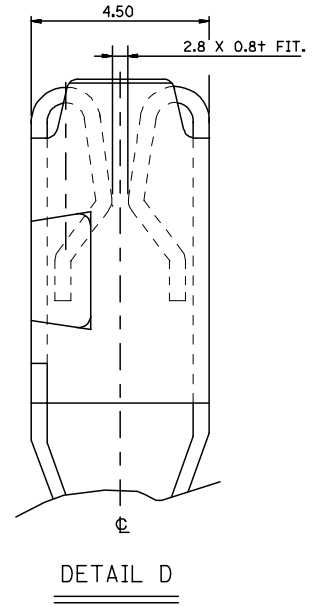
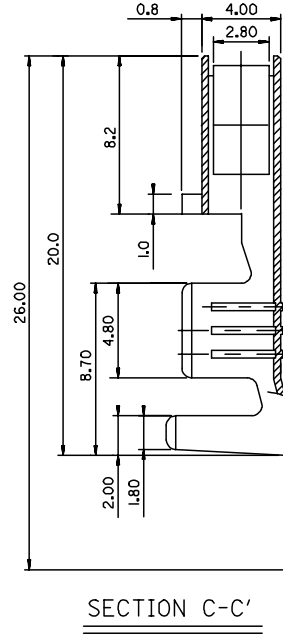
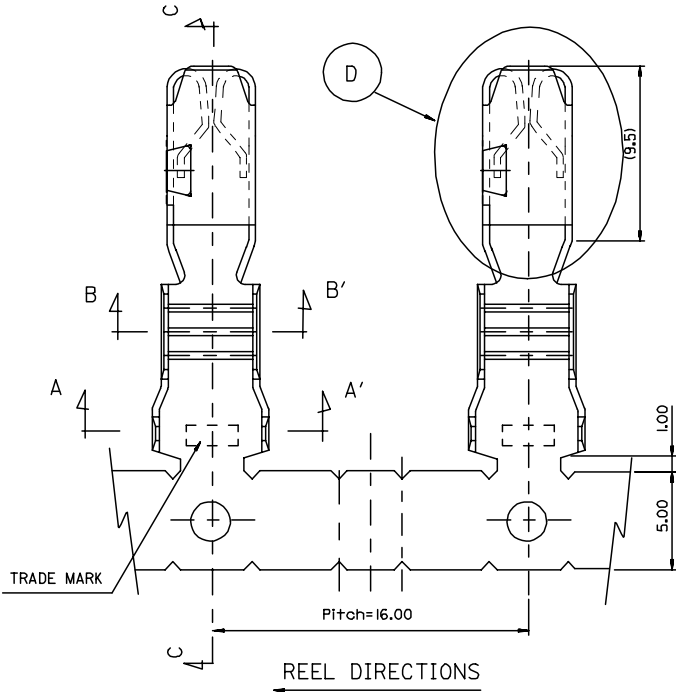
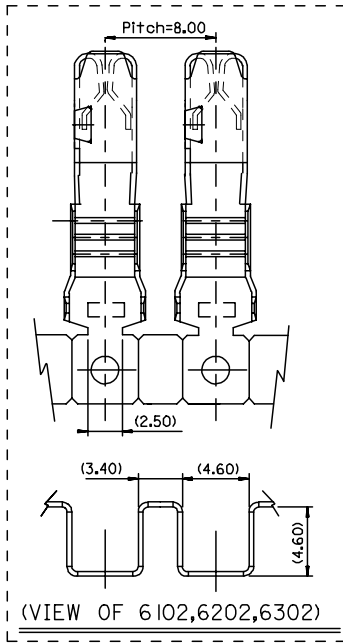
E

D

C

B

A



- NOTES
1. MATERIAL: COPPER ALLOY.
 2. FINISH: PRE-TIN PLATED.
 3. RECOMMENDED LENGTH OF WIRE STRIP: 6.0-6.8.

ENG NO.	PITCH	c	d	f	g	WIRE SIZE
35413-6102	8.00	2.9	2.9	4.1	4.0	0.3-0.5sq
35413-6202		3.1	3.2	4.9	4.8	0.85-1.25sq
35413-6302		3.9	4.8	5.6	6.2	2.0-3.0sq
35413-6602	16.0	2.9	2.9	4.1	4.0	0.3-0.5sq
35413-6702		3.1	3.2	4.9	4.8	0.85-1.25sq
35413-6802		3.9	4.8	5.6	6.2	2.0-3.0sq

<p>CHANGED DIMS EC NO.: KOR2005-0168 DRWN: S.Y.PARK 05/2/21 CHK: B.C.YOON 05/2/21 APPR: C.W.LEE</p>	<p>QUALITY SYMBOLS</p> <p>MAJOR = 0 CRITICAL = 0</p>	<p>GENERAL TOLERANCES: (UNLESS SPECIFIED)</p> <table border="1"> <thead> <tr> <th></th> <th>mm</th> <th>INCH</th> </tr> </thead> <tbody> <tr> <td>4 PLACES</td> <td>±0.</td> <td>±</td> </tr> <tr> <td>3 PLACES</td> <td>±0.</td> <td>±.</td> </tr> <tr> <td>2 PLACES</td> <td>±0.2</td> <td>±.</td> </tr> <tr> <td>1 PLACE</td> <td>±0.</td> <td>±.</td> </tr> </tbody> </table> <p>ANGULAR: ± 1.0 °</p>		mm	INCH	4 PLACES	±0.	±	3 PLACES	±0.	±.	2 PLACES	±0.2	±.	1 PLACE	±0.	±.	<p>SCALE 4/1</p> <p>DESIGN UNITS <input checked="" type="checkbox"/> mm <input type="checkbox"/> INCH</p> <p>THIRD ANGLE PROJECTION <input checked="" type="checkbox"/></p> <p>DRAWN BY & DATE B.K.CHOI 1996.12.07</p> <p>CHECKED BY & DATE B.K.CHOI</p> <p>APPROVED BY & DATE C.W.LEE</p> <p>CAD FILENAME SD-35413-001.mi</p>	<p>TITLE: MINI FUSE TERMINAL</p> <p>MOLEX MOLEX INCORPORATED</p>	<p>DIMENSIONS: <input type="checkbox"/> mm <input type="checkbox"/> INCH <input checked="" type="checkbox"/> mm ONLY</p> <p>SHT REV REVISE ON CAD ONLY</p>
		mm	INCH																	
	4 PLACES	±0.	±																	
	3 PLACES	±0.	±.																	
2 PLACES	±0.2	±.																		
1 PLACE	±0.	±.																		
<p>REV DESCRIPTION</p>	<p>DRAFT WHERE APPLICABLE MUST REMAIN WITHIN DIMENSIONS</p>	<p>THIS DRAWING CONTAINS INFORMATION THAT IS PROPRIETARY TO MOLEX INCORPORATED AND SHOULD NOT BE USED WITHOUT WRITTEN PERMISSION.</p>	<p>MATERIAL NO. _____</p> <p>DRAWING NO. SD-35413-001</p> <p>SHEET NO. 1/1</p>	<p>SIZE B</p>																

8

7

6

5

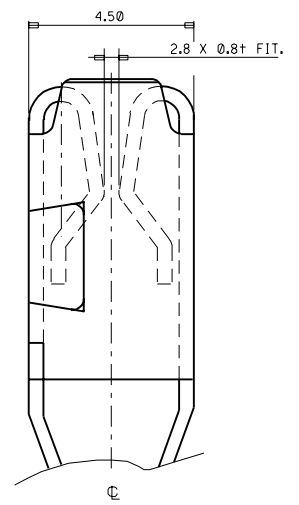
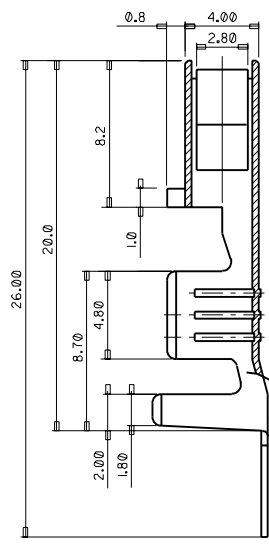
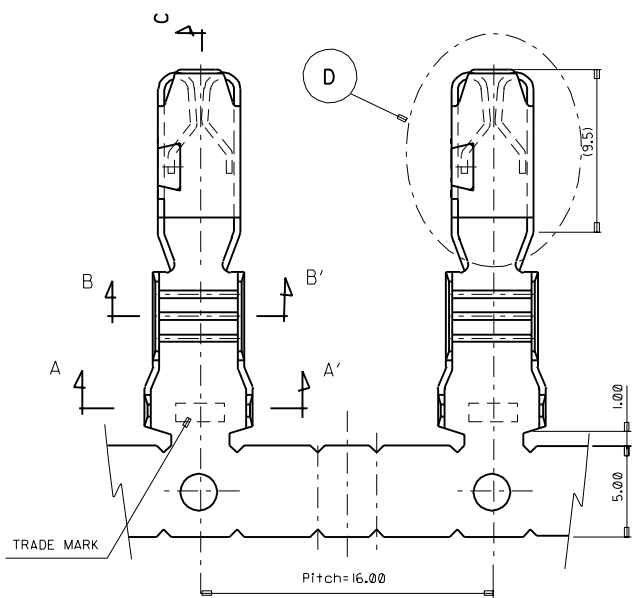
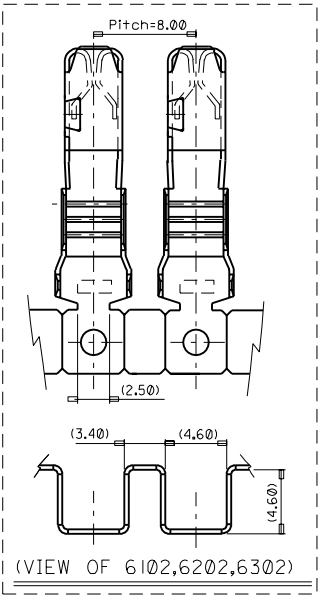
4

3

2

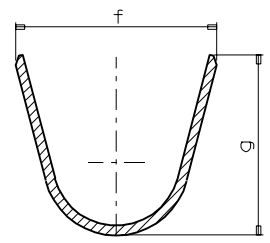
MX-A3

PROJECT NO. SIMILAR ITEM DWG. NO. SD 35414-6*02
 DO NOT SCALE DRAWING DIMENSION IN METRIC

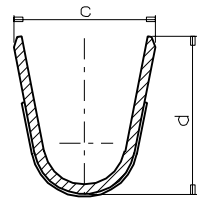


SECTION C-C'

DETAIL D



SECTION A-A'



SECTION B-B'

- NOTES
1. MATERIAL: COPPER ALLOY.
 2. FINISH: PRE-TIN PLATED.
 3. RECOMMENDED LENGTH OF WIRE STRIP: 6.0-6.8.

ENG NO.	PITCH	c	d	f	g	WIRE SIZE
35413-6102	8.00	2.9	2.9	4.1	4.0	0.3-0.5sq
35413-6202		3.1	3.2	4.9	4.8	0.85-1.25sq
35413-6302		3.9	4.2	5.6	6.2	2.0-3.0sq
35413-6602	16.0	2.9	2.9	4.1	4.0	0.3-0.5sq
35413-6702		3.1	3.2	4.9	4.8	0.85-1.25sq
35413-6802		3.9	4.2	5.6	6.2	2.0-3.0sq

REVISED	EC NO.: KOR1999-0001	QUALITY SYMBOLS	MAJOR	GENERAL TOLERANCES: (UNLESS SPECIFIED)
	DRWN: H.J.KIM 1999.01.04		CRITICAL	mm INCH
REV	CHK: B.K.CHOI	DESCRIPTION	ANGULAR: ± 1.0°	SCALE 4/1
	APPR: C.W.LEE		DESIGN UNITS	mm INCH

REV	DESCRIPTION	THIRD ANGLE PROJECTION	DIMENSIONS:	SHT	REV
		mm INCH	mm ONLY	REVISE ON CAD ONLY	
REV	DESCRIPTION	DRAWN BY & DATE	TITLE:		
		B.K.CHOI 1996.12.07	MINI FUSE TERMINAL		
REV	DESCRIPTION	CHECKED BY & DATE	MOLEX INCORPORATED KOREA		
		B.K.CHOI	MATERIAL NO.		
REV	DESCRIPTION	APPROVED BY & DATE	DRAWING NO.		
		C.W.LEE	SD 35414-6*02		
REV	DESCRIPTION	CAD FILENAME	SHEET NO.		
		S35413.DGN	1/1		
REV	DESCRIPTION	DRAFT WHERE APPLICABLE MUST REMAIN WITHIN DIMENSIONS			
		THIS DRAWING CONTAINS INFORMATION THAT IS PROPRIETARY TO MOLEX INCORPORATED AND SHOULD NOT BE USED WITHOUT WRITTEN PERMISSION.			

DRAWN BY & DATE		TITLE:	
B.K.CHOI 1996.12.07		MINI FUSE TERMINAL	
CHECKED BY & DATE		MOLEX INCORPORATED KOREA	
B.K.CHOI		MATERIAL NO.	
APPROVED BY & DATE		DRAWING NO.	
C.W.LEE		SD 35414-6*02	
CAD FILENAME		SHEET NO.	
S35413.DGN		1/1	
DRAFT WHERE APPLICABLE MUST REMAIN WITHIN DIMENSIONS			
THIS DRAWING CONTAINS INFORMATION THAT IS PROPRIETARY TO MOLEX INCORPORATED AND SHOULD NOT BE USED WITHOUT WRITTEN PERMISSION.			