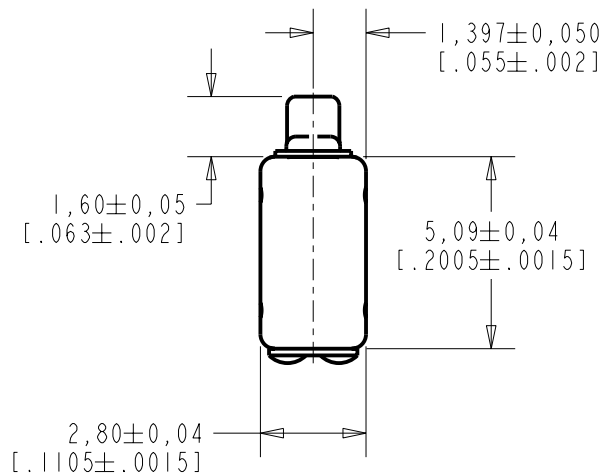
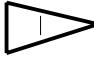


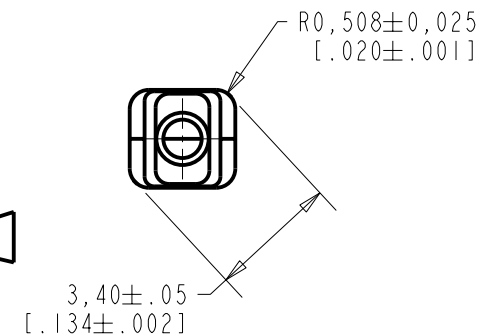
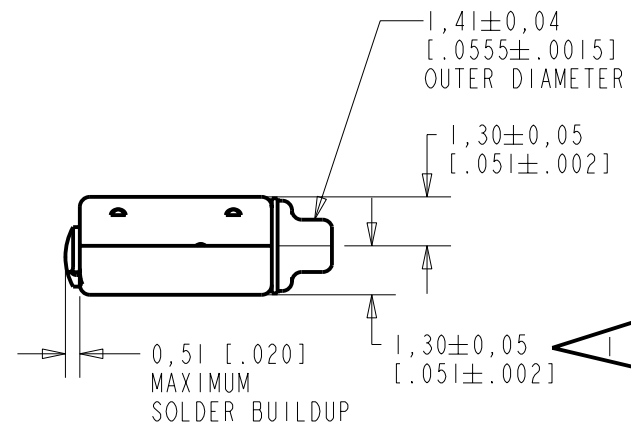
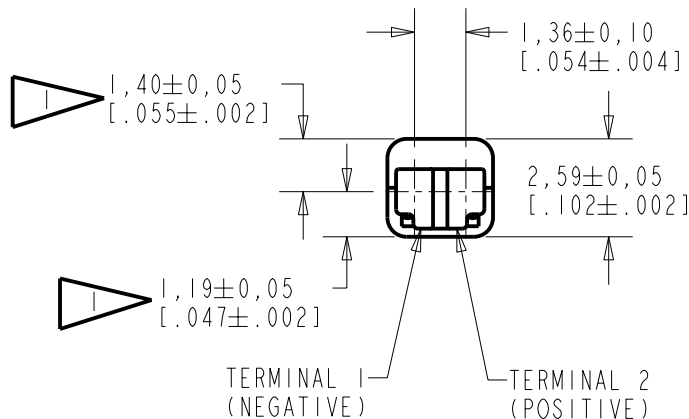
FH-26553-000

SHT 1.1



NOTES:

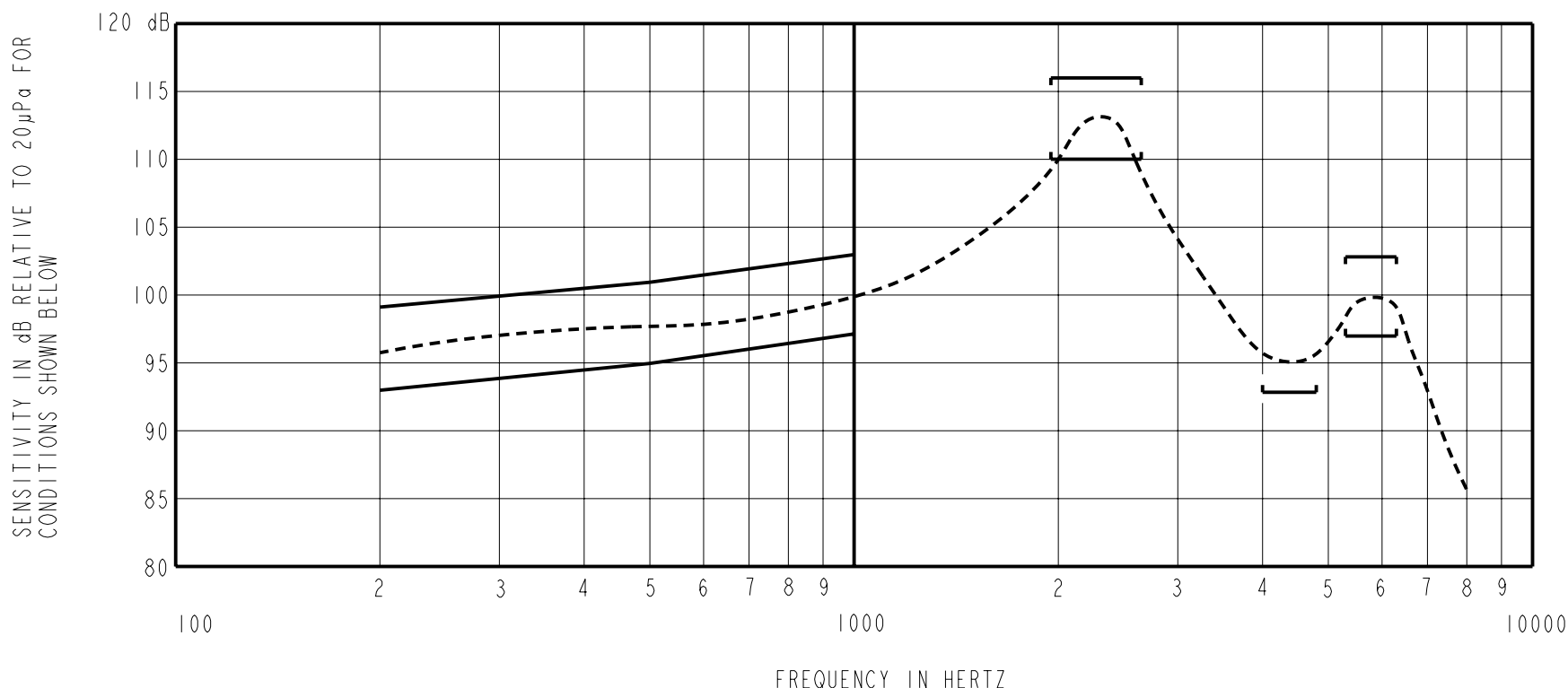
 LOCATED FROM TWO SURFACES FOR CUSTOMER CONVENIENCE. ONLY APPLICABLE FROM ONE SURFACE, NOT TO BE USED TOGETHER. HORIZONTAL LOCATION FOR TERMINAL CENTERED TO $\pm 0,17$ [.007].



NOMINAL WEIGHT
.18 GRAMS DIMENSIONS IN MILLIMETERS [INCHES]

KNOWLES ELECTRONICS
ITASCA, ILLINOIS U.S.A.

| Revision | C.O. # | Implementation Date | RELEASE LEVEL | REVISION |
|------------------------|-----------|---------------------|---------------------|----------|
| | | | Released | A |
| A | C10103105 | 9-15-05 | | |
| SCALE: 5:1 | | | | |
| DO NOT SCALE DRAWING | | | DR. BY | DATE |
| TITLE: RECEIVER | | | MMM | 9-15-05 |
| | | | FH-26553-000 | |
| SHT 1.1 | | | | |
| | | | APP. BY | DATE |
| | | | GJP | 9-20-05 |



NOTES:

1. MEASUREMENTS MADE USING 10mm (.394") OF 1mm (.039") ID TUBE CONNECTED TO A SIMULATED ANSI S3.3-1960 TYPE HA-3 COUPLER. (T3420 AND B&K 080138)

2. SENSITIVITY

| FREQUENCY | MIN. | MAX. |
|-----------|-------|-------|
| 200 | 93.0 | 99.0 |
| 500 | 95.0 | 101.0 |
| 1000 | 97.0 | 103.0 |
| 1950-2650 | 110.0 | 116.0 |
| 4000-4800 | 93.0 | --- |
| 5300-6300 | 97.0 | 103.0 |

- 3. RESPONSE, IMPEDANCE, AND DISTORTION MEASUREMENTS MADE USING THE ELECTRICAL TEST CONDITIONS SHOWN BELOW.
- 4. ELECTRICAL SOURCE IMPEDANCE MUST BE GREATER THAN 20 TIMES 1kHz IMPEDANCE FOR TEST CONDITIONS SHOWN BELOW.
- 5. INDIVIDUAL SPECIFICATIONS.

| PORT LOCATION | IMPEDANCE OHMS ±15% | | DCR @20°C OHMS ±10% | DISTORTION | | ELECTRICAL TEST CONDITIONS | |
|---------------|---------------------|-------|---------------------|------------|---------|----------------------------|-------|
| | 1KHz | 500Hz | | MAX. % | FREQ Hz | AC mA RMS | DC mA |
| 12S | 130 | 90 | 60 | 5 | 750 | 1.59 | 0.00 |

| | | | | |
|----------|-----------|---------------------|-----------------|----------|
| Revision | C.O. # | Implementation Date | RELEASE LEVEL | REVISION |
| | | | Released | A |
| A | C10103105 | 9-15-05 | | |

KNOWLES ELECTRONICS
ITASCA, ILLINOIS U.S.A.

WHEN TEST LIMITS ARE USED TO ESTABLISH INCOMING INSPECTION ACCEPTANCE/REJECTION CRITERIA, CORRELATION OF TEST EQUIPMENT WITH KNOWLES IS ALSO REQUIRED FOR ELIMINATION OF EQUIPMENT AND TEST METHOD VARIATION

TITLE: **RECEIVER** FH-26553-000
PERFORMANCE SPECIFICATION SHT 2.1

| | |
|---------|---------|
| DR. BY | DATE |
| MMM | 9-15-05 |
| CK. BY | DATE |
| GJP | 9-20-05 |
| APP. BY | DATE |
| GJP | 9-20-05 |