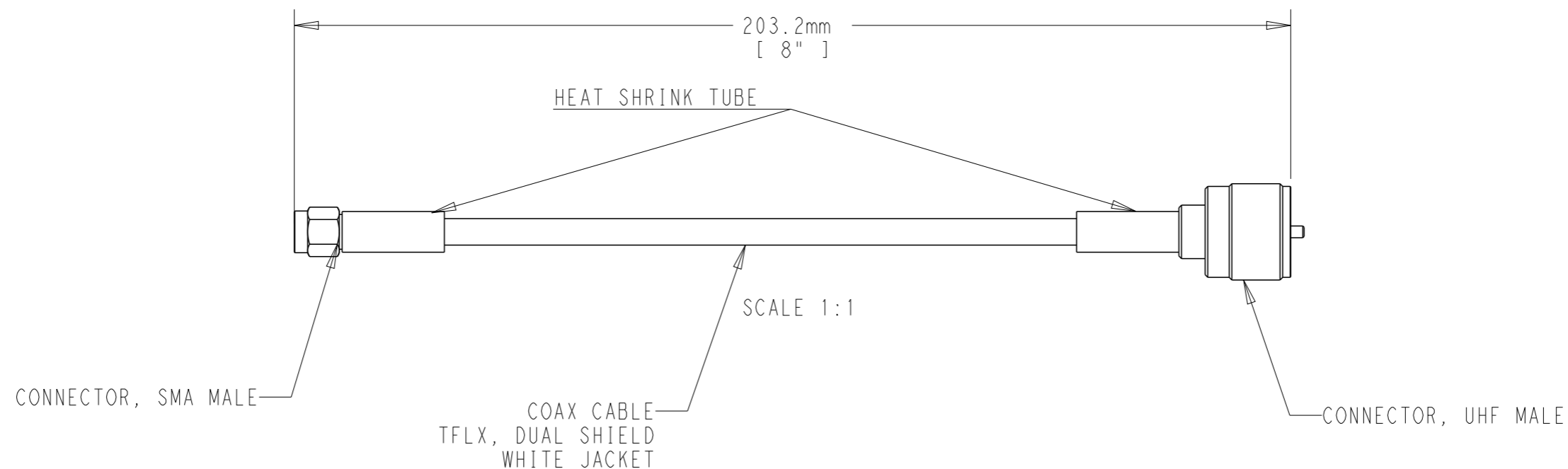


REVISIONS

P	LTR	DESCRIPTION	DATE	DWN	APVD
	A	INITIAL RELEASED	03MAY2023	ERIC	WT



TE PART NUMBER
PTD0-67SMP

THIS DRAWING IS A CONTROLLED DOCUMENT.		DWN LIM ERIC 03-May-23		
		CHK WT NG 03-May-23		
		APVD WT NG 03-May-23	NAME CABLE ASSY, TFX, SMAM, UHFM, CP, CP, 8-IN SMA_PL259	
DIMENSIONS: mm		PRODUCT SPEC -	RESTRICTED TO -	
TOLERANCES UNLESS OTHERWISE SPECIFIED:		APPLICATION SPEC -	SIZE A3	CAGE CODE 00779
0 PLC ±0.5		WEIGHT -	DRAWING NO PTD0-67SMP	SCALE 1:2
1 PLC ±0.25		CUSTOMER DRAWING	SHEET 1 OF 1	REV A
2 PLC ±0.13				
3 PLC ±				
4 PLC ±				
ANGLES ±30'				
MATERIAL -				
FINISH -				