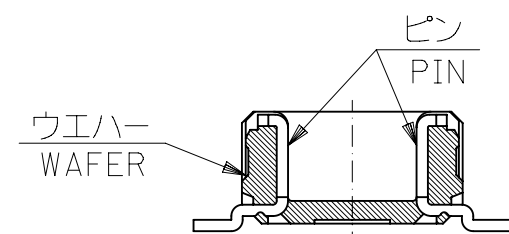
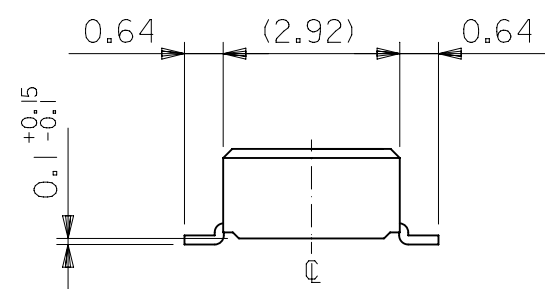
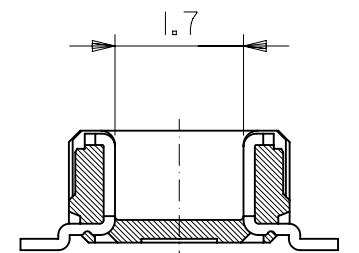


参考基板レイアウト (マウント面)  
P.C.BOARD PATTERN DIMENSION (REF.)  
(MOUNTING AREA)



SECT.W-W(LOCK PART)



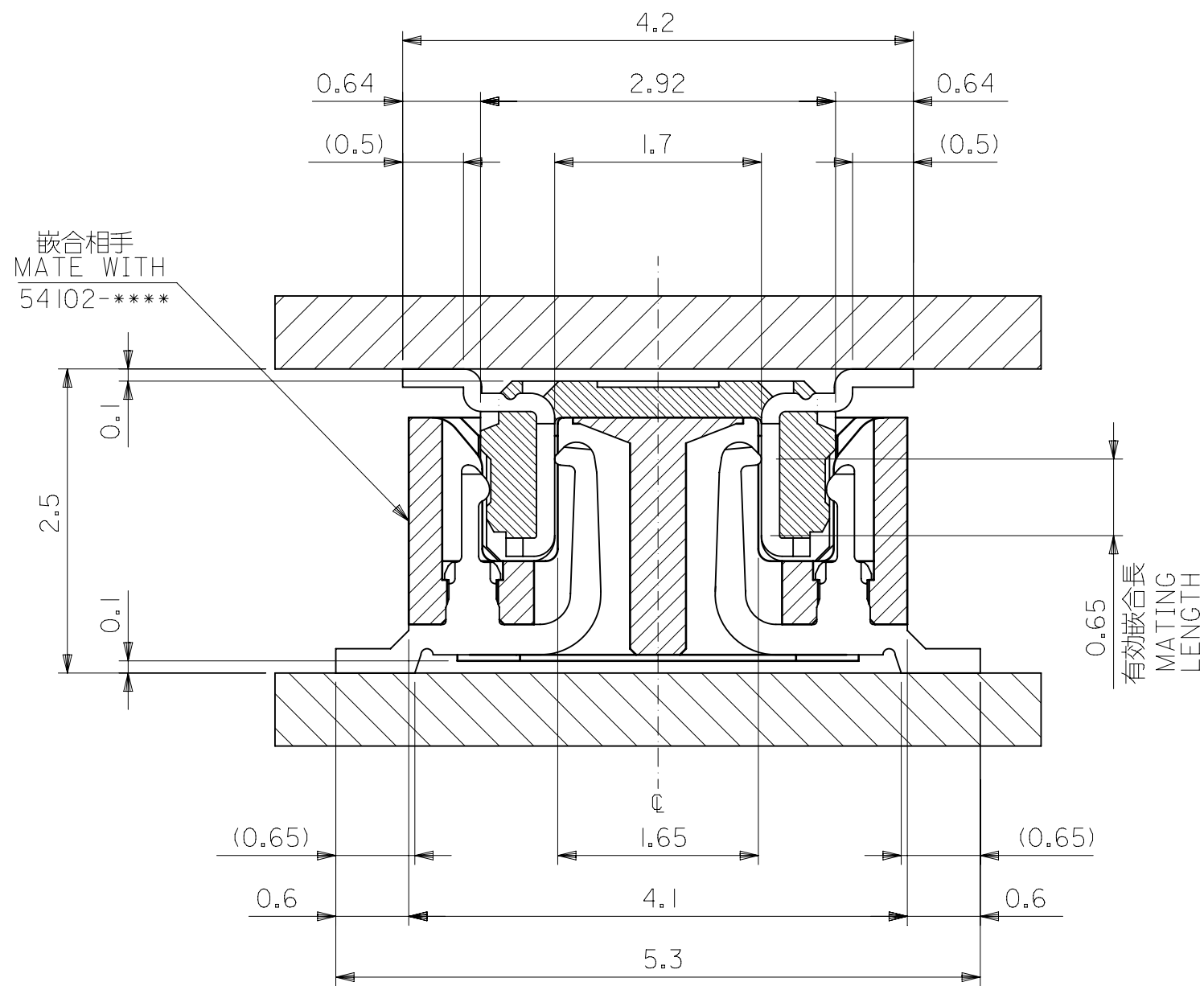
SECT.V-V(W/O LOCK PART)

GENERAL TOLERANCES (UNLESS SPECIFIED)	
10 UNDER	± 0.2
10 OVER 30 UNDER	± 0.25
30 OVER	± 0.3
ANGULAR	± 3°
DRAFT WHERE APPLICABLE MUST REMAIN WITHIN DIMENSIONS	

NONE	20.55	19.5	21.45	500334-0800	80
ALL	4.55	3.5	5.45	500334-0160	16
LOCK POSITION	C	B	A	EMBOSSED TAPE PACKAGE	CIRCUIT
				ORDER No.	

THIS DRAWING CONTAINS INFORMATION THAT IS PROPRIETARY TO MOLEX ELECTRONIC TECHNOLOGIES, LLC AND SHOULD NOT BE USED WITHOUT WRITTEN PERMISSION

DIMENSION UNITS	SCALE	CURRENT REV DESC:			
mm	NTS	<p><b>molex</b></p> <p>0.5 B-TO-B CONN PLUG (HGT=2.5) (SHEET 1 OF 2)</p> <p>PRODUCT CUSTOMER DRAWING</p>			
GENERAL TOLERANCES (UNLESS SPECIFIED)					
4 PLACES	± 0.2				
3 PLACES	± 0.25				
2 PLACES	± 0.3				
1 PLACE	±	EC NO: 624787	2019/05/22		
0 PLACES	±	DRWN: VLOKESHA	2019/11/11		
ANGULAR TOL	± 3.0	CHK'D: GGA	2019/11/11		
DRAFT WHERE APPLICABLE MUST REMAIN WITHIN DIMENSIONS		INITIAL REVISION:		DOCUMENT NUMBER	
		DRWN: GMATSUNO		SD-500334-001	
		APPR:		DOC TYPE	DOC PART
		THIRD ANGLE PROJECTION	DRAWING	SERIES	REVISION
			A3-SIZE	500334	B1
		MATERIAL NUMBER	CUSTOMER	SHEET NUMBER	
		SEE CHART	GENERAL MARKET	1 OF 2	



嵌合断面図 (参考)  
MATED DRAWING (REF.)

注記 NOTES:

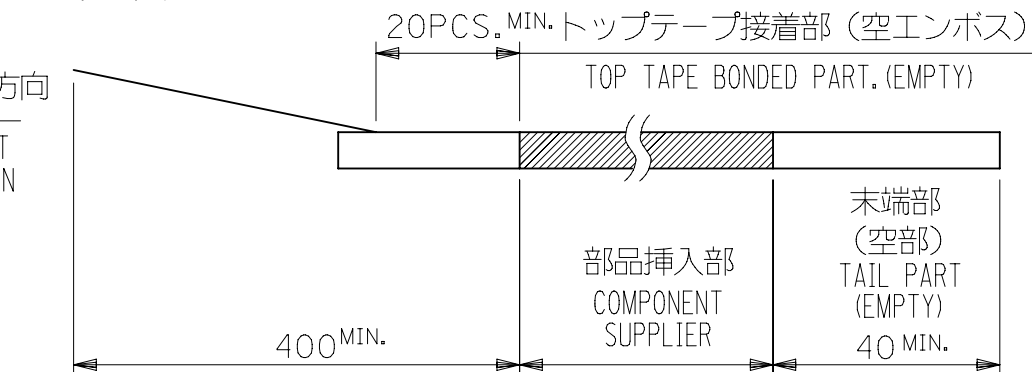
1. 使用材料 MATERIAL  
ハウジング: 液晶ポリマー (LCP), ガラス充填, UL 94V-0, 色: 黒  
HOUSING: LIQUID CRYSTAL POLYMER(LCP), GLASS FILLED  
UL94V-0, COLOR: BLACK  
ターミナル: 黄銅 (t=0.15)  
TERMINAL: BRASS (t=0.15)
2. メッキ仕様 PLATING  
金メッキ 0.25マイクロメートル以上 (コンタクト部)  
GOLD(Au) 0.25 MICROMETER MINIMUM (CONTACT AREA)  
**金メッキ (テール部)**  
**GOLD PLATING (SOLDER TAIL AREA)**  
下地メッキ: ニッケルメッキ 1.5マイクロメートル以上  
UNDER PLATING: NICKEL 1.5 MICROMETER MINIMUM
3. (全極数/2) = 偶数の場合に適用。  
APPLY FOR (CIRCUIT/2)=EVEN.
4. 嵌合相手: 54102シリーズ  
MATE WITH: 54102 SERIES.
5. テール平坦度は 0.1以下。  
TAIL COPLANARITY TO BE 0.1 MAXIMUM.

CONNECTOR SERIES No. 500334-\*\*\*8

THIS DRAWING CONTAINS INFORMATION THAT IS PROPRIETARY TO MOLEX ELECTRONIC TECHNOLOGIES, LLC AND SHOULD NOT BE USED WITHOUT WRITTEN PERMISSION		CURRENT REV DESC:		<b>molex</b>	
DIMENSION UNITS	SCALE	EC NO: 624787			
mm	NTS	DRWN: VLOKESHA 2019/05/22		PRODUCT CUSTOMER DRAWING	
GENERAL TOLERANCES (UNLESS SPECIFIED)		CHK'D: GGA 2019/11/11			
		APPR: GGA 2019/11/11		DOCUMENT NUMBER	
4 PLACES ± 0.2		INITIAL REVISION:		SD-500334-001	
3 PLACES ± 0.25		DRWN: GMATSUNO 2012/08/10		DOC TYPE	
2 PLACES ± 0.3		APPR:		PSD	
1 PLACE ±				DOC PART	
0 PLACES ±				001	
ANGULAR TOL ± 3.0°				REVISION	
				B1	
DRAFT WHERE APPLICABLE MUST REMAIN WITHIN DIMENSIONS		THIRD ANGLE PROJECTION	DRAWING	SERIES	MATERIAL NUMBER
			A3-SIZE	500334	CUSTOMER
					GENERAL MARKET
					SHEET NUMBER
					2 OF 2

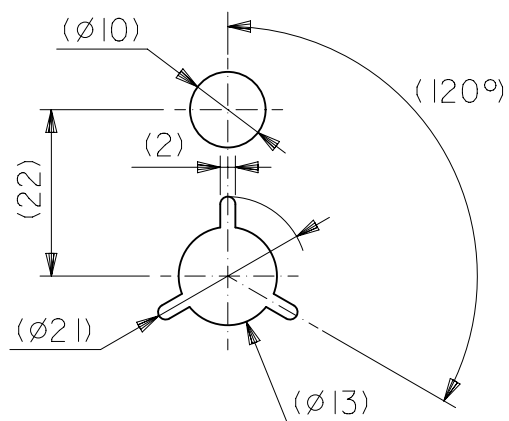
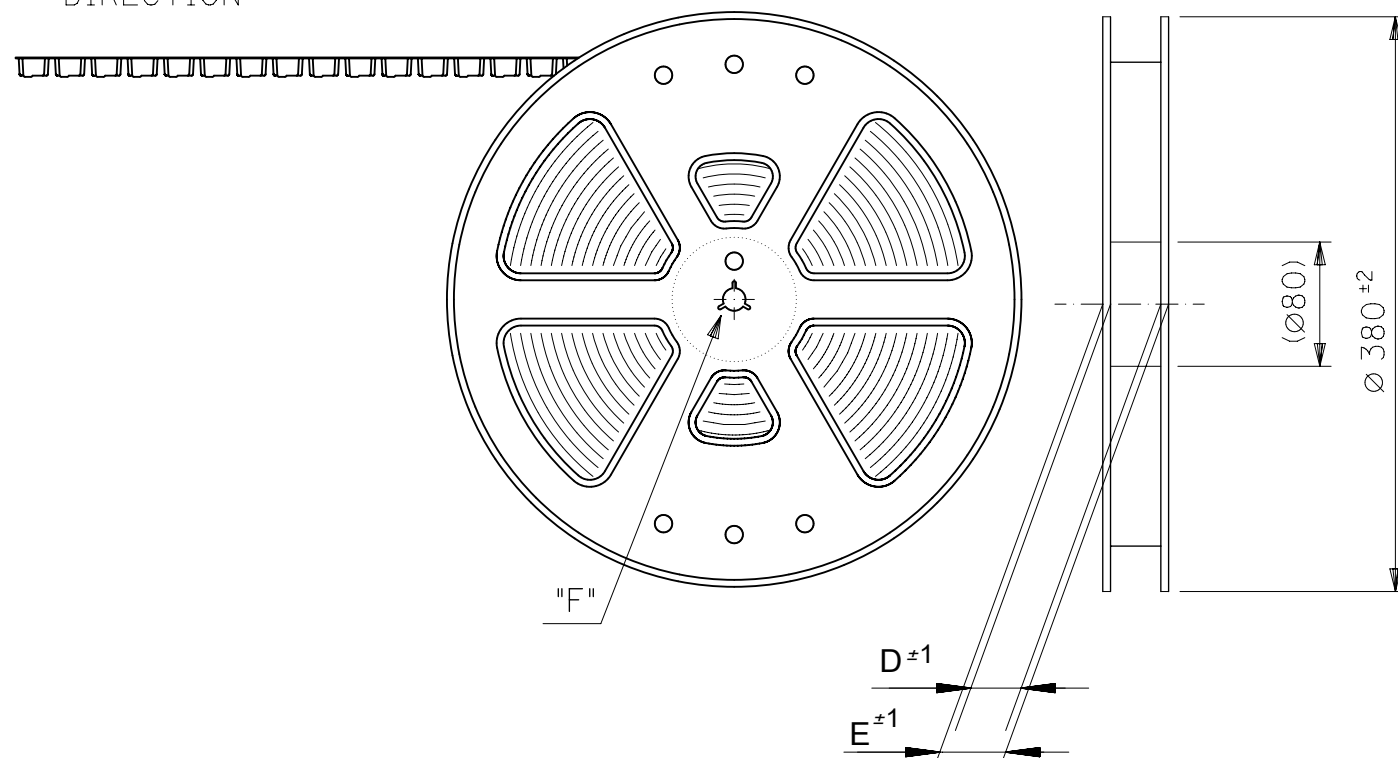
NOTES

- 製品詳細寸法については図面 SD-500334-001 を参照下さい。  
RE DETAILED DIMENSION, SEE SD-500334-001
- 梱包数量：3000個/リール  
NUMBER OF CONNECTORS : 3000PCS/REEL
- リードテープ長さ LEAD TAPE LENGTH



- カバーテープの剥離強度については、IEC60286-3に準拠  
COVER TAPE PEEL FORCE IS DEFINED BY IEC60286-3.
- 材料 MATERIAL  
キャリアテープ：ポリプロピレン (PP)  
CARRIER TAPE : POLYPROPYLENE ( PP )  
トップテープ：ポリエステル(PET),ポリエチレン(PE),ポリエチレンフォーム(PEF)  
TOP TAPE : POLYESTER ( PET )、POLYETHYLENE ( PE )、POLYETHYLENEFOAM ( PEF )  
リール：ポリスチレン (PS) <リサイクル材を含む>  
REEL : POLYSTYRENE ( PS ) <RECYCLE MATERIAL CONTAINED>

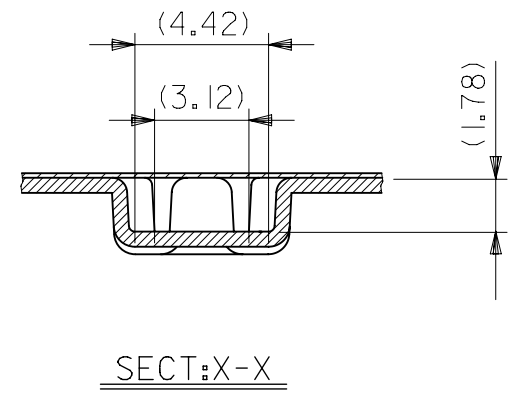
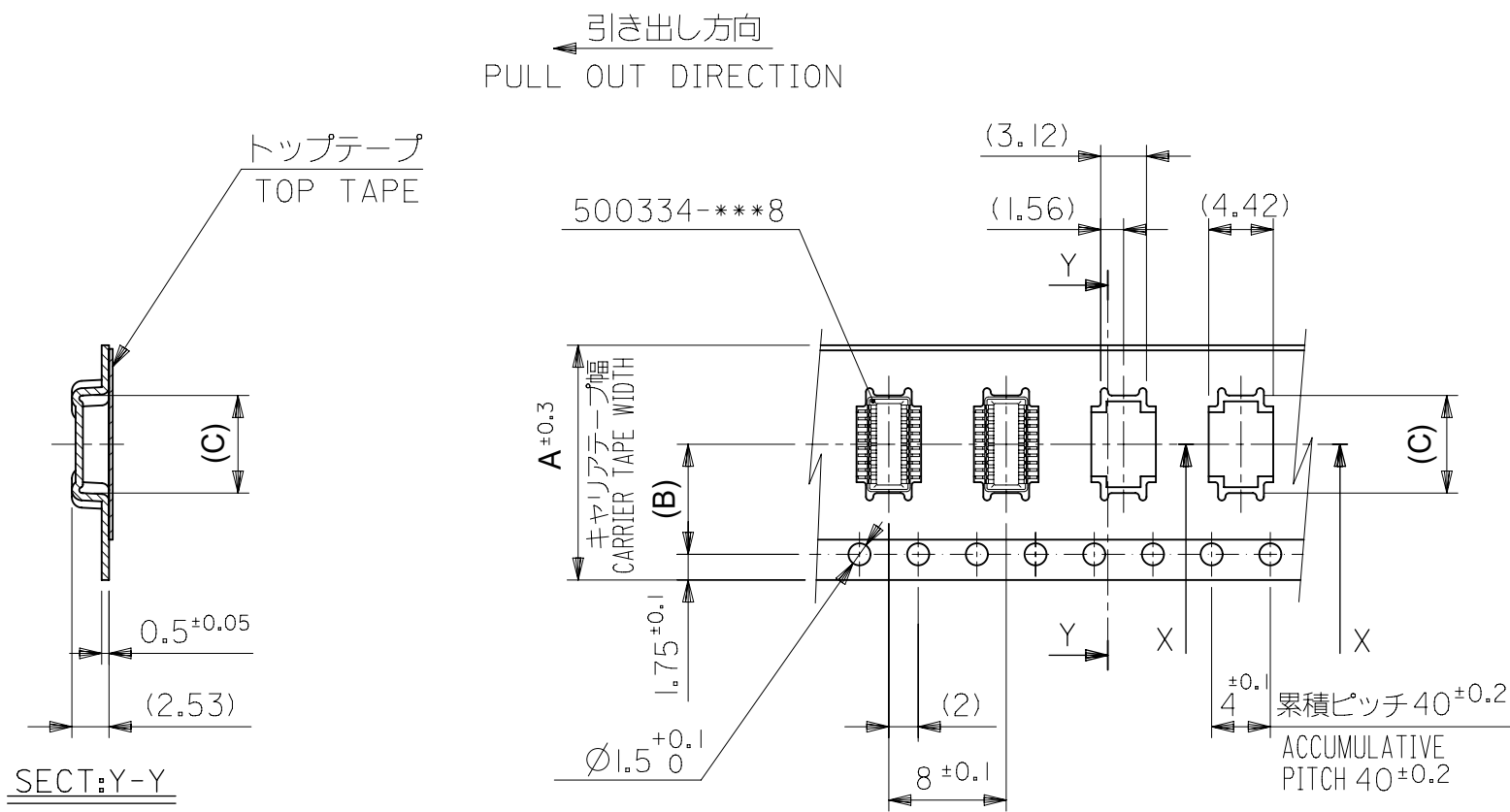
引き出し方向  
PULL OUT  
DIRECTION



DETAIL "F"

GENERAL TOLERANCES (UNLESS SPECIFIED)	
10 UNDER	$\pm 0.2$
10 OVER 30 UNDER	$\pm 0.25$
30 OVER	$\pm 0.3$
ANGULAR	$\pm 3^\circ$
DRAFT WHERE APPLICABLE MUST REMAIN WITHIN DIMENSIONS	

THIS DRAWING CONTAINS INFORMATION THAT IS PROPRIETARY TO MOLEX ELECTRONIC TECHNOLOGIES, LLC AND SHOULD NOT BE USED WITHOUT WRITTEN PERMISSION		SCALE		CURRENT REV DESC:		<b>molex</b>	
DIMENSION UNITS		SCALE		CURRENT REV DESC:			
10 UNDER		mm	NTS	EC NO: 624787		EMBSTP PKG FOR 0.5 B/B	
10 OVER 30 UNDER		GENERAL TOLERANCES (UNLESS SPECIFIED)		DRWN: VLOKESHA 2019/05/22		PLUG ASSY (HGT=2.5) -LEAD FREE-	
30 OVER		MM INCH		CHK'D: GGA 2019/11/11		PRODUCT CUSTOMER DRAWING	
ANGULAR		4 PLACES $\pm 0.2$		APPR: GGA 2019/11/11		DOCUMENT NUMBER	
DRAFT WHERE APPLICABLE MUST REMAIN WITHIN DIMENSIONS		3 PLACES $\pm 0.25$		INITIAL REVISION:		DOC TYPE DOC PART REVISION	
		2 PLACES $\pm 0.3$		DRWN: N.YOSHIKAWA 2009/03/19		SD-500334-002	
		1 PLACE $\pm$		APPR: N.UKITA 2013/05/10		PSD 001 C1	
		0 PLACES $\pm$		THIRD ANGLE PROJECTION		MATERIAL NUMBER	
		ANGULAR TOL $\pm 3.0^\circ$		DRAWING		CUSTOMER	
		DRAFT WHERE APPLICABLE MUST REMAIN WITHIN DIMENSIONS		SERIES		SHEET NUMBER	
				A3-SIZE		SEE CHART	
				500334		GENERAL MARKET	
						1 OF 3	



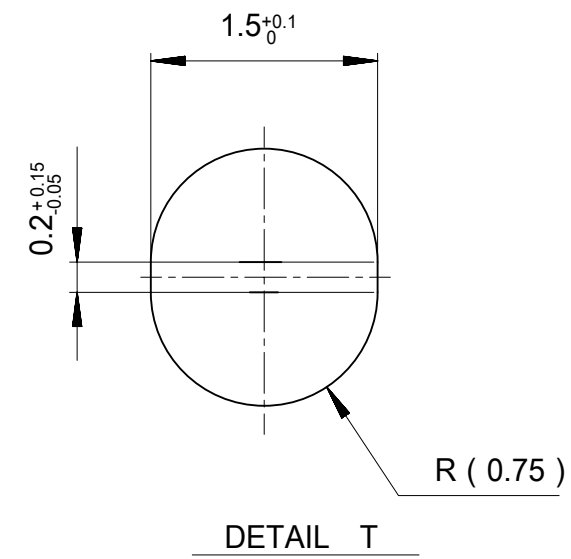
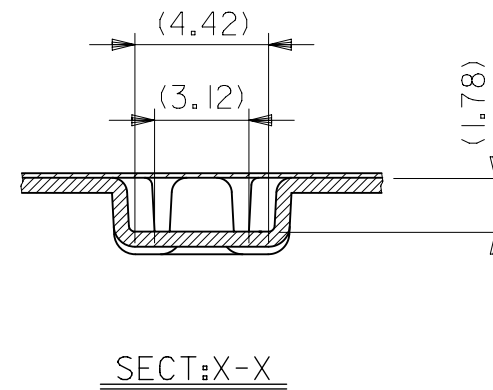
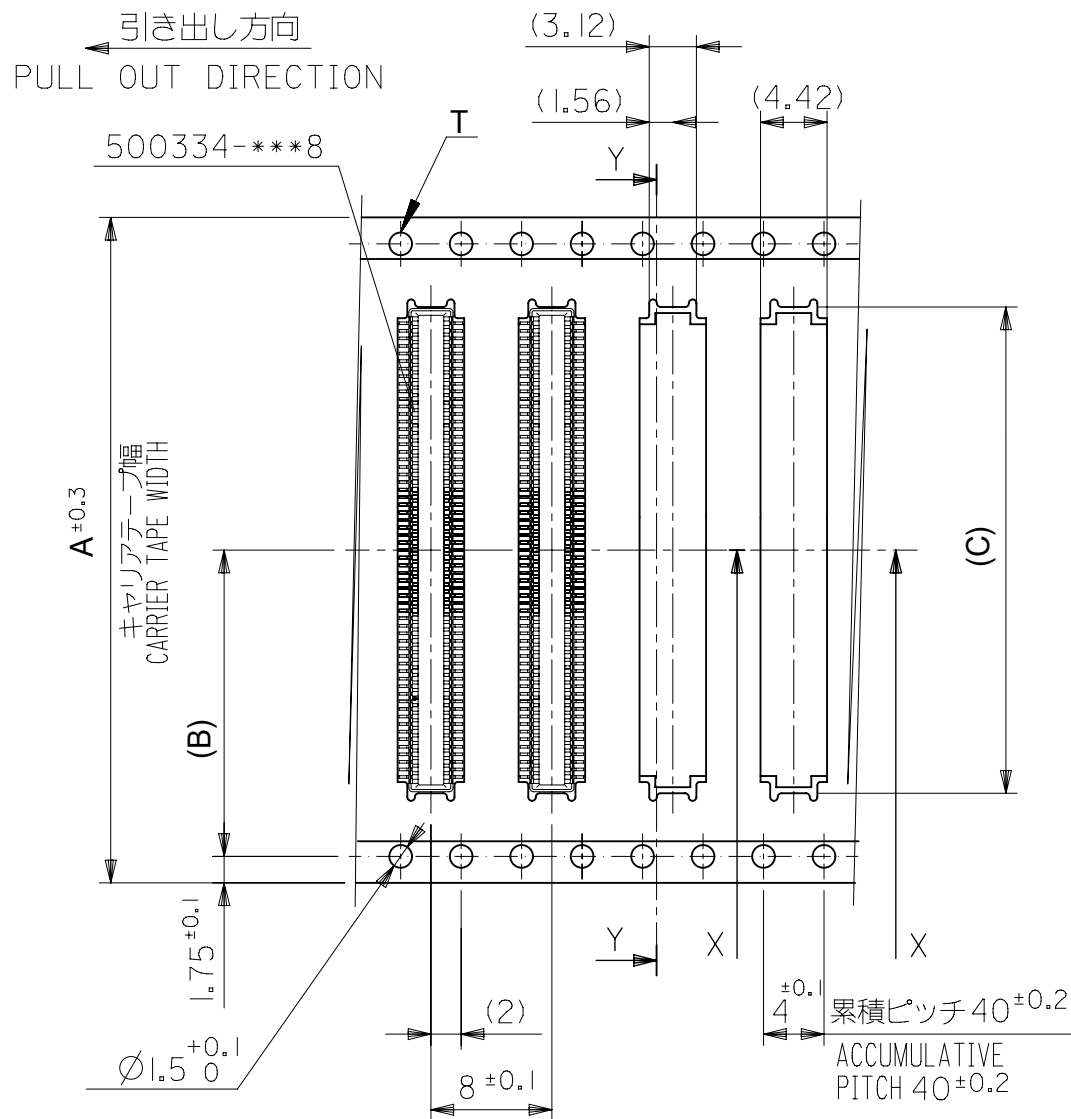
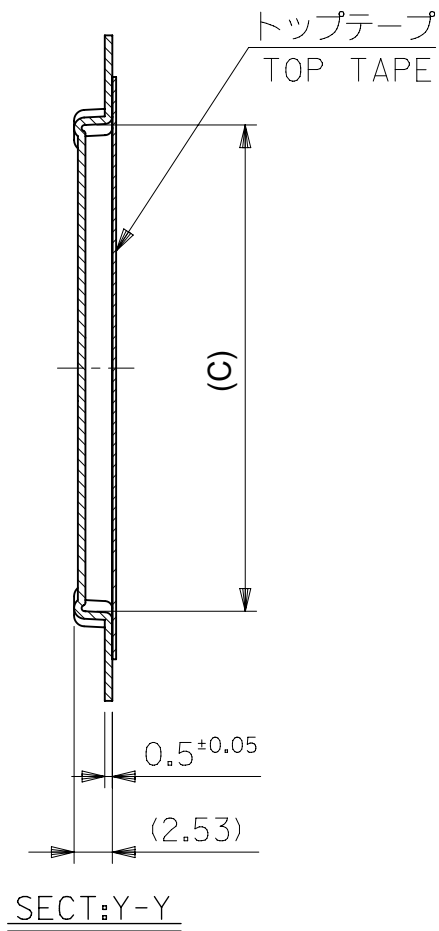
16mm幅キャリアテープ  
16mm WIDTH CARRIER TAPE

21.4	17.4	5.65	7.5	16	500334-0160	16
E	D	(C)	(B)	A	EMBOSSED TAPE PACKAGE ORDER No.	極数 CKT.
CONNECTOR SERIES No. 500334-***0						

GENERAL TOLERANCES (UNLESS SPECIFIED)	
10 UNDER	± 0.2
10 OVER 30 UNDER	± 0.25
30 OVER	± 0.3
ANGULAR	± 3°
DRAFT WHERE APPLICABLE MUST REMAIN WITHIN DIMENSIONS	

THIS DRAWING CONTAINS INFORMATION THAT IS PROPRIETARY TO MOLEX ELECTRONIC TECHNOLOGIES, LLC AND SHOULD NOT BE USED WITHOUT WRITTEN PERMISSION	
DIMENSION UNITS	SCALE
mm	NTS
GENERAL TOLERANCES (UNLESS SPECIFIED)	
4 PLACES	± 0.2
3 PLACES	± 0.25
2 PLACES	± 0.3
1 PLACE	±
0 PLACES	±
ANGULAR TOL	± 3.0°
DRAFT WHERE APPLICABLE MUST REMAIN WITHIN DIMENSIONS	

CURRENT REV DESC:			
<b>molex</b>			
EMBSTP PKG FOR 0.5 B/B PLUG ASSY (HGT=2.5) -LEAD FREE-			
PRODUCT CUSTOMER DRAWING			
EC NO: 624787	DRWN: VLOKESHA	2019/05/22	
CHK'D: GGA	2019/11/11		
APPR: GGA	2019/11/11		
INITIAL REVISION:			
DRWN: N.YOSHIKAWA	2009/03/19		
APPR: N.UKITA	2013/05/10		
DOCUMENT NUMBER	DOC TYPE	DOC PART	REVISION
SD-500334-002	PSD	001	C1
MATERIAL NUMBER	CUSTOMER	SHEET NUMBER	
SEE CHART	GENERAL MARKET	2 OF 3	



44mm幅キャリアテープ  
44mm WIDTH CARRIER TAPE

49.4	45.4	21.65	20.2	44	500334-0800	80
E	D	(C)	(B)	A	EMBOSSED TAPE PACKAGE	極数 CKT.
					ORDER No.	500334-***0
CONNECTOR SERIES No. 500334-***0						

GENERAL TOLERANCES (UNLESS SPECIFIED)	
10 UNDER	± 0.2
10 OVER 30 UNDER	± 0.25
30 OVER	± 0.3
ANGULAR	± 3°
DRAFT WHERE APPLICABLE MUST REMAIN WITHIN DIMENSIONS	

THIS DRAWING CONTAINS INFORMATION THAT IS PROPRIETARY TO MOLEX ELECTRONIC TECHNOLOGIES, LLC AND SHOULD NOT BE USED WITHOUT WRITTEN PERMISSION		SCALE		CURRENT REV DESC:	
DIMENSION UNITS		SCALE		CURRENT REV DESC:	
mm		NTS		CURRENT REV DESC:	
GENERAL TOLERANCES (UNLESS SPECIFIED)		MM		EC NO: 624787	
4 PLACES ± 0.2		INCH		DRWN: VLOKESHA 2019/05/22	
3 PLACES ± 0.25				CHK'D: GGA 2019/11/11	
2 PLACES ± 0.3				APPR: GGA 2019/11/11	
1 PLACE ±				INITIAL REVISION:	
0 PLACES ±				DRWN: N.YOSHIKAWA 2009/03/19	
ANGULAR TOL ± 3.0°				APPR: N.UKITA 2013/05/10	
DRAFT WHERE APPLICABLE MUST REMAIN WITHIN DIMENSIONS		THIRD ANGLE PROJECTION		DRAWING	
		A3-SIZE		SERIES	
		500334		MATERIAL NUMBER	
		SEE CHART		CUSTOMER	
		GENERAL MARKET		SHEET NUMBER	
		3 OF 3		DOCUMENT NUMBER	
		SD-500334-002		DOC TYPE	
		PSD		DOC PART	
		001		REVISION	
		C1			