

174929-2 ✓ ACTIVE

AMP | Multilock Connector System

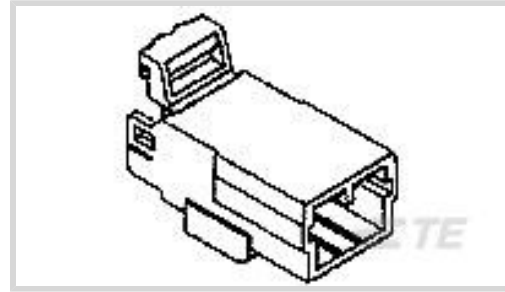
TE Internal #: 174929-2

Housing for Male Terminals, Wire-to-Wire, 4 Position, .137 in [3.5 mm] Centerline, Black, Wire & Cable, Multilock Connector System

[View on TE.com >](#)



Connectors > Automotive Connectors > Automotive Housings



Connector & Housing Type: **Housing for Male Terminals**

Mating Tab Width: **1.8 mm [.07 in]**

Connector System: **Wire-to-Wire**

Number of Positions: **4**

Centerline (Pitch): **3.5 mm [.137 in]**

Features

Product Type Features

Connector Shape	Rectangular
Connector & Housing Type	Housing for Male Terminals
Connector System	Wire-to-Wire
Sealable	No
Hybrid Connector	No
Primary Locking Feature	Integrated in Housing
Connector & Contact Terminates To	Wire & Cable

Configuration Features

Number of Positions	4
Number of Rows	1

Body Features

Primary Product Color	Black
-----------------------	-------

Contact Features

Contact Size	1.8mm
Contact Type	Tab
Mating Tab Width	1.8 mm[.07 in]

Mechanical Attachment

Terminal Position Assurance	No
-----------------------------	----

Connector Mounting Type

Cable Mount (Free-Hanging)

Housing Features

Housing Material

PBT

Centerline (Pitch)

3.5 mm[.137 in]

Usage Conditions

Operating Temperature (Max)

105 °C[221 °F]

Operating Temperature Range

-30 – 105 °C[-22 – 221 °F]

Packaging Features

Packaging Quantity

250

Packaging Method

Tray

Other

Connector Position Assurance Capable

No

Product Compliance

[For compliance documentation, visit the product page on TE.com>](#)

EU RoHS Directive 2011/65/EU

Compliant

EU ELV Directive 2000/53/EC

Compliant

China RoHS 2 Directive MIIT Order No 32, 2016

No Restricted Materials Above Threshold

EU REACH Regulation (EC) No. 1907/2006

Current ECHA Candidate List: JUNE 2023 (235)
 Candidate List Declared Against: JUNE 2023 (235)
 Does not contain REACH SVHC

Halogen Content

Low Halogen - Br, Cl, F, I < 900 ppm per homogenous material. Also BFR/CFR/PVC Free

Solder Process Capability

Not reviewed for solder process capability

Product Compliance Disclaimer

This information is provided based on reasonable inquiry of our suppliers and represents our current actual knowledge based on the information they provided. This information is subject to change. The part numbers that TE has identified as EU RoHS compliant have a maximum concentration of 0.1% by weight in homogenous materials for lead, hexavalent chromium, mercury, PBB, PBDE, DBP, BBP, DEHP, DIBP, and 0.01% for cadmium, or qualify for an exemption to these limits as defined in the Annexes of Directive 2011/65/EU (RoHS2). Finished electrical and electronic equipment products will be CE marked as required by Directive 2011/65/EU. Components may not be CE marked. Additionally, the part numbers that TE has identified as EU ELV compliant have a maximum concentration of 0.1% by weight in homogenous materials for lead, hexavalent chromium, and mercury, and 0.01% for cadmium, or qualify for an exemption to these limits as defined in the Annexes of Directive 2000/53/EC (ELV). Regarding the REACH Regulation, the information TE provides on SVHC in articles for this part number is based on the latest European Chemicals Agency (ECHA) 'Guidance on requirements for substances in articles' posted at this URL: <https://echa.europa.eu/guidance-documents/guidance-on-reach>

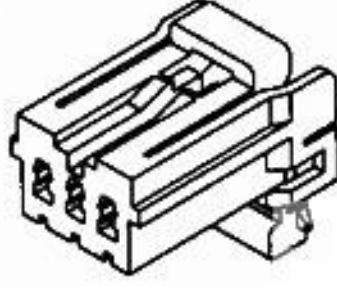
Compatible Parts



TE Part # CAT-M9194-CH8172
MULTILOCK, CONNECTOR HOUSING



TE Part # CAT-M9194-T273
MULTILOCK, RECEPTACLE AND TAB



TE Part # 6-174922-6
070 MLC W-W PLUG HSG 4P GRAY

Also in the Series | Multilock Connector System




Automotive Connector Caps & Covers (17)



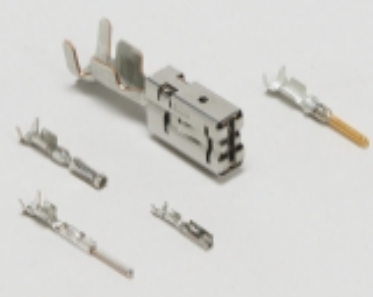
Automotive Connector EMC Shielding (1)




Automotive Connector Locks & Position Assurance(2)




Automotive Housings(603)




Automotive Terminals(141)



Connector Seals & Cavity Plugs(2)



Insertion & Extraction Tools(6)



Other Automotive Connector Accessories(14)

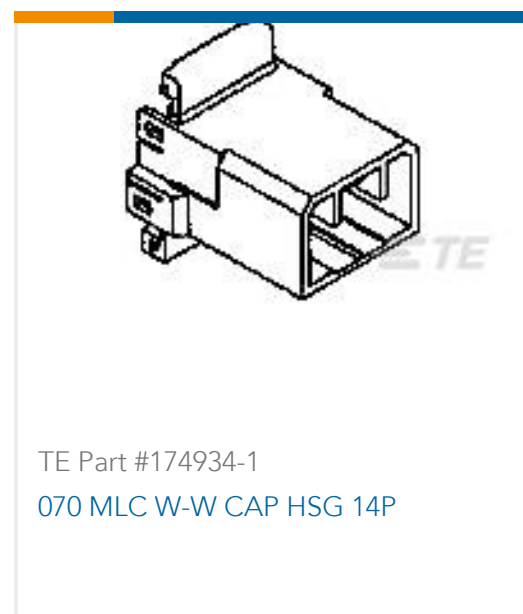


PCB Headers & Receptacles(142)

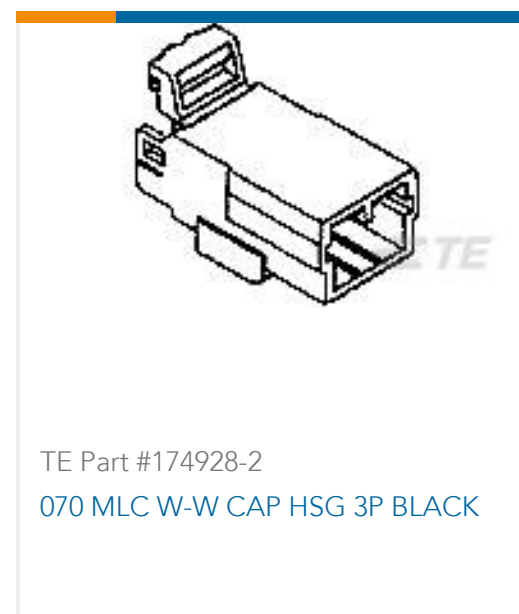
Customers Also Bought



TE Part #173850-2
MULTILOCK, CONNECTOR HOUSING



TE Part #174934-1
070 MLC W-W CAP HSG 14P



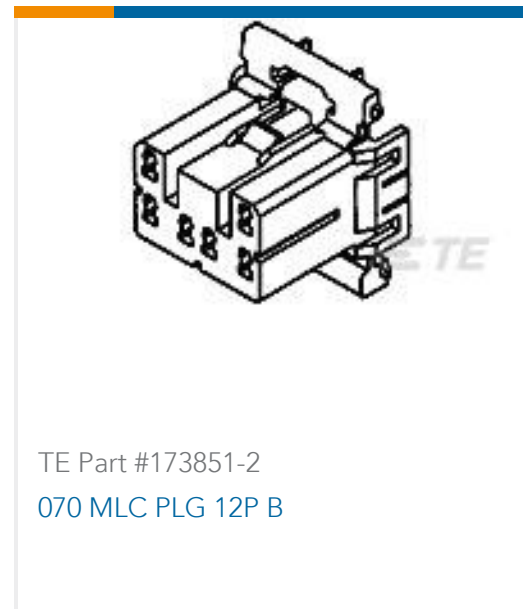
TE Part #174928-2
070 MLC W-W CAP HSG 3P BLACK



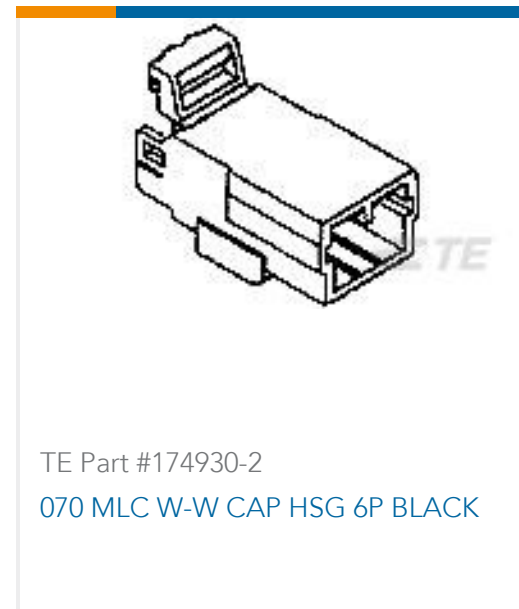
TE Part #174460-2
070 MULTILOCK 2P CAP HSG



TE Part #2-1703498-1
2POS, MCON 1.2 LL TAB SEALED
COD B



TE Part #173851-2
070 MLC PLG 12P B



TE Part #174930-2
070 MLC W-W CAP HSG 6P BLACK

Documents

Product Drawings

070 MLC W-W CAP HSG 4P B

English

CAD Files

Customer View Model

[ENG_CVM_174929-2_C2.3d_igs.zip](#)

English

Customer View Model

[ENG_CVM_174929-2_C2.3d_stp.zip](#)

English

Customer View Model

[ENG_CVM_174929-2_C2.2d_dxf.zip](#)

English

3D PDF

3D

By downloading the CAD file I accept and agree to the [Terms and Conditions](#) of use.

Product Specifications

070 MLC Series

English

Product Specification

Japanese