

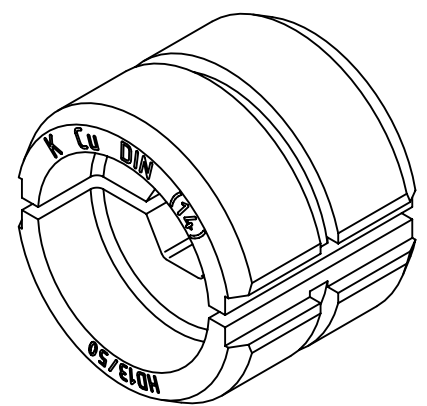
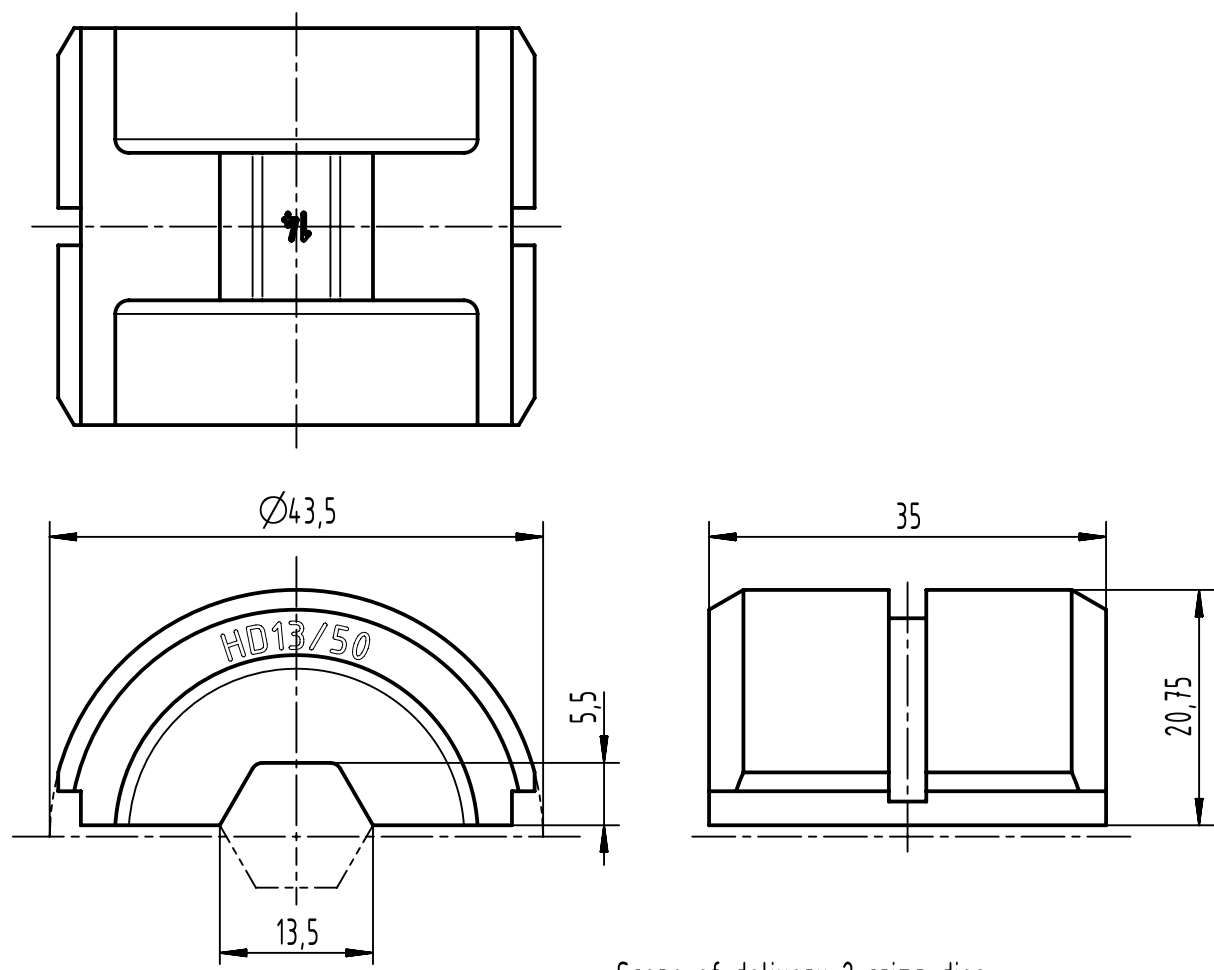
1 2 3 4 5 6

A

B

C

D



Scope of delivery 2 crimp dies

|                              |  |  |  |                          |                            |                    |  |             |
|------------------------------|--|--|--|--------------------------|----------------------------|--------------------|--|-------------|
|                              | All Dimensions in mm<br>Original Size DIN A4 |  | Scale<br>1.5:1                                       | Free size tol.           |                            | Ref.               |  |             |
|                              |  |  |  |                          |                            | Sub.               |  |             |
|                              | All rights reserved                          |  | Created by<br>HOLLERT                                | Inspected by<br>RIEPE    | Standardisation<br>RUETERA | Date<br>2021-01-08 | State<br>Final Release                                   |             |
|                              | Department EL PD                             |  | Title<br>Crimp die 50mm <sup>2</sup> for 120 kN tool |                          |                            |                    | Doc-Key / ECM-Nr.<br>100587219/UGD/002/C<br>500000186965 |             |
| HARTING<br>D-32339 Espelkamp |  |  | Type<br>TB   | Number<br>09 99 000 0866 |                            |                    | Rev.<br>C  | Page<br>1/1 |