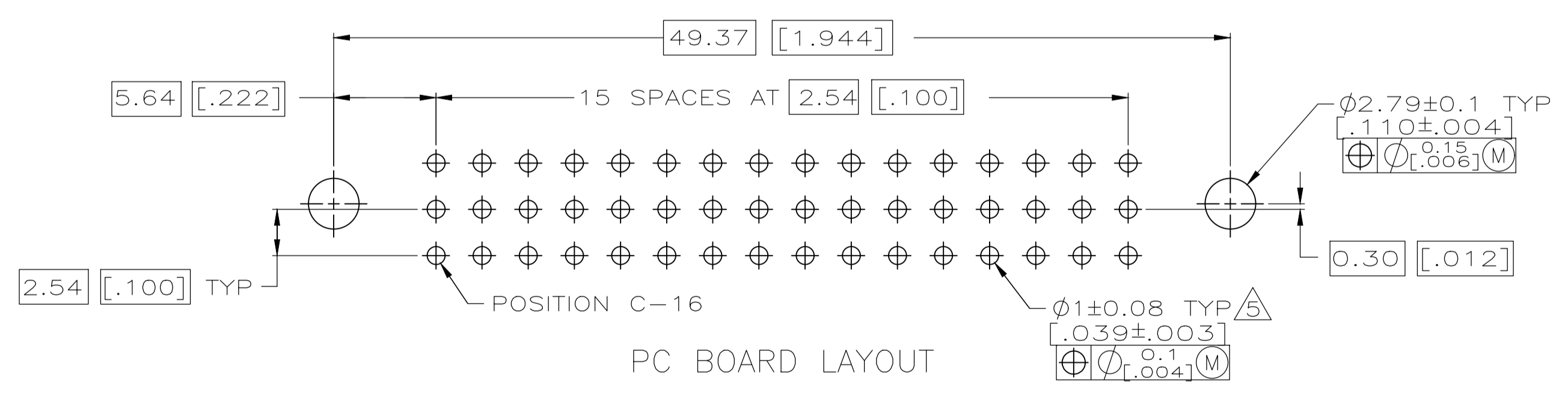
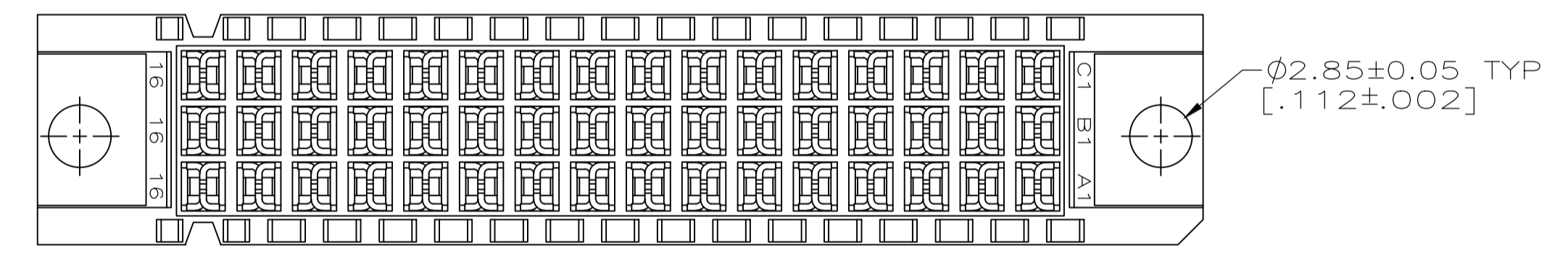
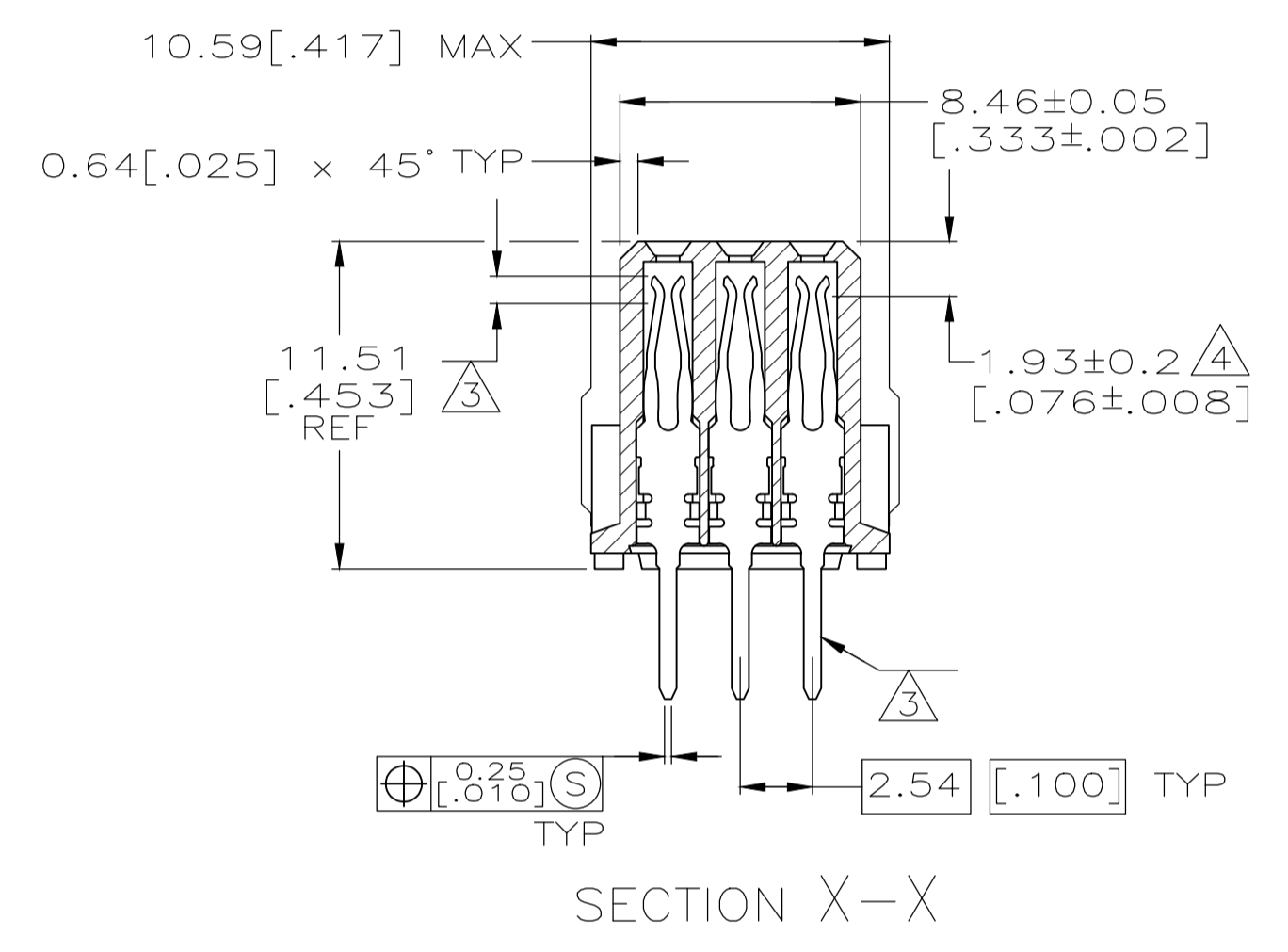
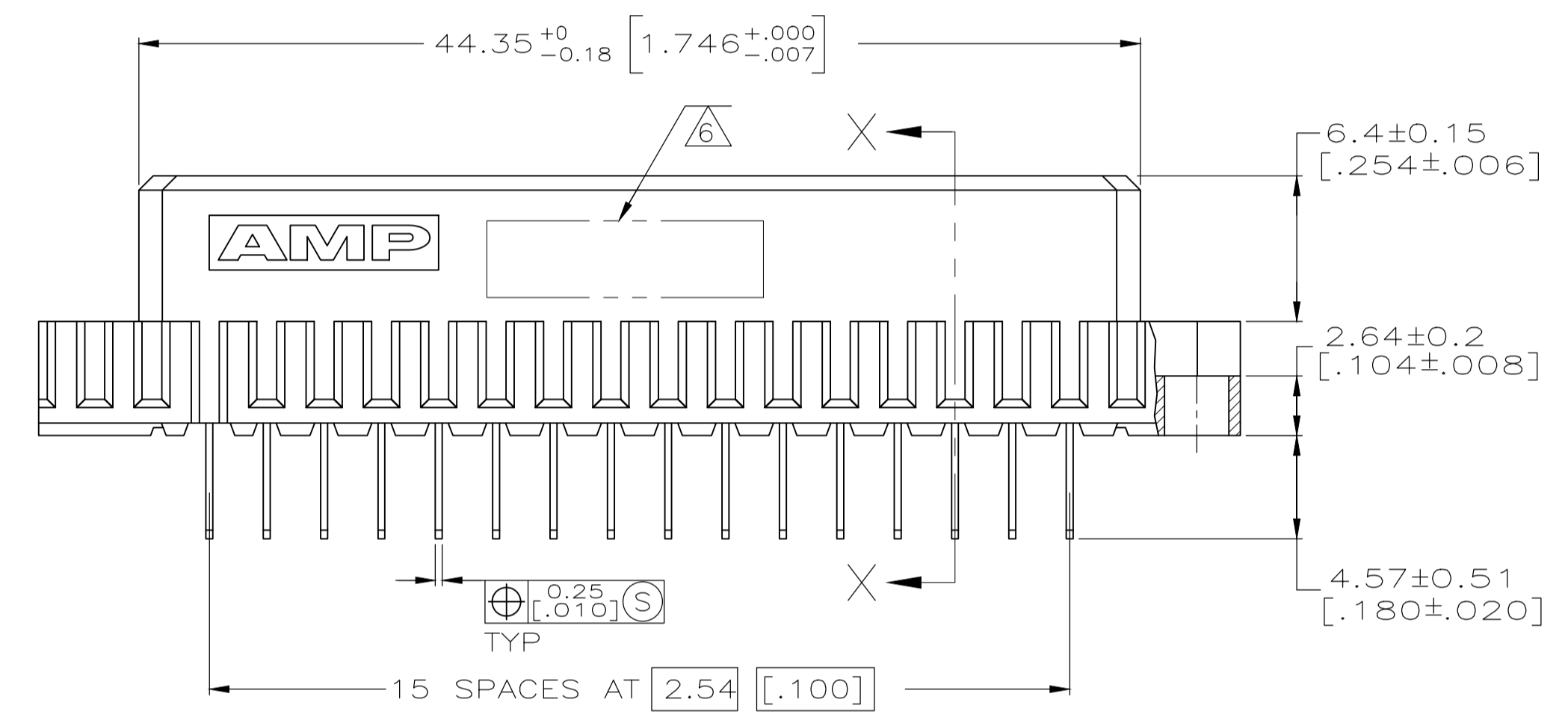
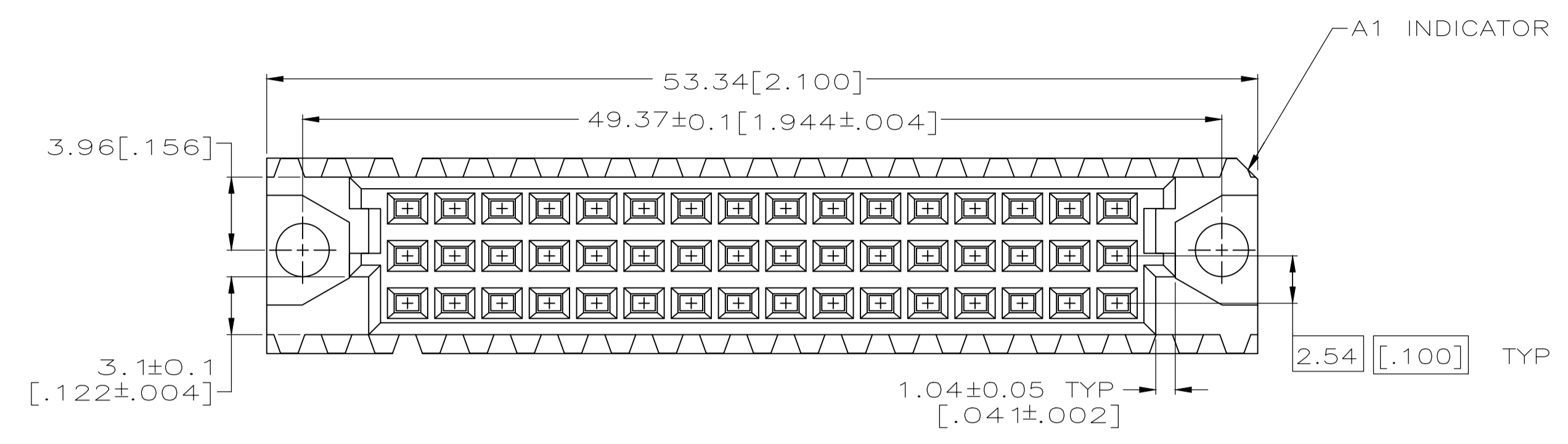


REVISIONS				
REV	DATE	DESCRIPTION	BY	CHKD
A	16MAR2020	REVISED PER ECO-20-002189	SY	HL

- ① HOUSING MATERIAL: GLASS-FILLED POLYMER.
- ② CONTACT MATERIAL: COPPER ALLOY.
- ③ CONTACT FINISH: DIN 41612 CLASS 2 IN CONTACT AREA. TIN PLATE ON POSTS.
- ④ CONTACT POINT.
- ⑤ RECOMMENDED HOLE SIZE FOR MANUAL APPLICATION OF CONNECTOR ONTO PC BOARD.
- ⑥ PART NUMBER, DATE CODE IDENTIFICATION, CSA LOGO IN THIS APPROXIMATE AREA, ON REVERSE SIDE.



REV	DATE	DESCRIPTION	BY	CHKD
A	16MAR2020	REVISED PER ECO-20-002189	SY	HL

REV	DATE	DESCRIPTION	BY	CHKD
A	16MAR2020	REVISED PER ECO-20-002189	SY	HL

REV	DATE	DESCRIPTION	BY	CHKD
A	16MAR2020	REVISED PER ECO-20-002189	SY	HL

REV	DATE	DESCRIPTION	BY	CHKD
A	16MAR2020	REVISED PER ECO-20-002189	SY	HL

REV	DATE	DESCRIPTION	BY	CHKD
A	16MAR2020	REVISED PER ECO-20-002189	SY	HL

REV	DATE	DESCRIPTION	BY	CHKD
A	16MAR2020	REVISED PER ECO-20-002189	SY	HL

REV	DATE	DESCRIPTION	BY	CHKD
A	16MAR2020	REVISED PER ECO-20-002189	SY	HL

REV	DATE	DESCRIPTION	BY	CHKD
A	16MAR2020	REVISED PER ECO-20-002189	SY	HL

REV	DATE	DESCRIPTION	BY	CHKD
A	16MAR2020	REVISED PER ECO-20-002189	SY	HL

REV	DATE	DESCRIPTION	BY	CHKD
A	16MAR2020	REVISED PER ECO-20-002189	SY	HL

REV	DATE	DESCRIPTION	BY	CHKD
A	16MAR2020	REVISED PER ECO-20-002189	SY	HL

REV	DATE	DESCRIPTION	BY	CHKD
A	16MAR2020	REVISED PER ECO-20-002189	SY	HL

REV	DATE	DESCRIPTION	BY	CHKD
A	16MAR2020	REVISED PER ECO-20-002189	SY	HL

REV	DATE	DESCRIPTION	BY	CHKD
A	16MAR2020	REVISED PER ECO-20-002189	SY	HL

REV	DATE	DESCRIPTION	BY	CHKD
A	16MAR2020	REVISED PER ECO-20-002189	SY	HL

REV	DATE	DESCRIPTION	BY	CHKD
A	16MAR2020	REVISED PER ECO-20-002189	SY	HL

REV	DATE	DESCRIPTION	BY	CHKD
A	16MAR2020	REVISED PER ECO-20-002189	SY	HL

REV	DATE	DESCRIPTION	BY	CHKD
A	16MAR2020	REVISED PER ECO-20-002189	SY	HL

REV	DATE	DESCRIPTION	BY	CHKD
A	16MAR2020	REVISED PER ECO-20-002189	SY	HL

REV	DATE	DESCRIPTION	BY	CHKD
A	16MAR2020	REVISED PER ECO-20-002189	SY	HL

REV	DATE	DESCRIPTION	BY	CHKD
A	16MAR2020	REVISED PER ECO-20-002189	SY	HL

REV	DATE	DESCRIPTION	BY	CHKD
A	16MAR2020	REVISED PER ECO-20-002189	SY	HL

REV	DATE	DESCRIPTION	BY	CHKD
A	16MAR2020	REVISED PER ECO-20-002189	SY	HL

REV	DATE	DESCRIPTION	BY	CHKD
A	16MAR2020	REVISED PER ECO-20-002189	SY	HL

REV	DATE	DESCRIPTION	BY	CHKD
A	16MAR2020	REVISED PER ECO-20-002189	SY	HL

REV	DATE	DESCRIPTION	BY	CHKD
A	16MAR2020	REVISED PER ECO-20-002189	SY	HL

REV	DATE	DESCRIPTION	BY	CHKD
A	16MAR2020	REVISED PER ECO-20-002189	SY	HL

REV	DATE	DESCRIPTION	BY	CHKD
A	16MAR2020	REVISED PER ECO-20-002189	SY	HL

REV	DATE	DESCRIPTION	BY	CHKD
A	16MAR2020	REVISED PER ECO-20-002189	SY	HL

REV	DATE	DESCRIPTION	BY	CHKD
A	16MAR2020	REVISED PER ECO-20-002189	SY	HL

REV	DATE	DESCRIPTION	BY	CHKD
A	16MAR2020	REVISED PER ECO-20-002189	SY	HL

REV	DATE	DESCRIPTION	BY	CHKD
A	16MAR2020	REVISED PER ECO-20-002189	SY	HL

REV	DATE	DESCRIPTION	BY	CHKD
A	16MAR2020	REVISED PER ECO-20-002189	SY	HL

REV	DATE	DESCRIPTION	BY	CHKD
A	16MAR2020	REVISED PER ECO-20-002189	SY	HL

REV	DATE	DESCRIPTION	BY	CHKD
A	16MAR2020	REVISED PER ECO-20-002189	SY	HL

REV	DATE	DESCRIPTION	BY	CHKD
A	16MAR2020	REVISED PER ECO-20-002189	SY	HL

REV	DATE	DESCRIPTION	BY	CHKD
A	16MAR2020	REVISED PER ECO-20-002189	SY	HL

REV	DATE	DESCRIPTION	BY	CHKD
A	16MAR2020	REVISED PER ECO-20-002189	SY	HL

REV	DATE	DESCRIPTION	BY	CHKD
A	16MAR2020	REVISED PER ECO-20-002189	SY	HL

REV	DATE	DESCRIPTION	BY	CHKD
A	16MAR2020	REVISED PER ECO-20-002189	SY	HL

REV	DATE	DESCRIPTION	BY	CHKD
A	16MAR2020	REVISED PER ECO-20-002189	SY	HL

REV	DATE	DESCRIPTION	BY	CHKD
A	16MAR2020	REVISED PER ECO-20-002189	SY	HL

REV	DATE	DESCRIPTION	BY	CHKD
A	16MAR2020	REVISED PER ECO-20-002189	SY	HL

REV	DATE	DESCRIPTION	BY	CHKD
A	16MAR2020	REVISED PER ECO-20-002189	SY	HL

REV	DATE	DESCRIPTION	BY	CHKD
A	16MAR2020	REVISED PER ECO-20-002189	SY	HL

REV	DATE	DESCRIPTION	BY	CHKD
A	16MAR2020	REVISED PER ECO-20-002189	SY	HL

REV	DATE	DESCRIPTION	BY	CHKD
A	16MAR2020	REVISED PER ECO-20-002189	SY	HL

REV	DATE	DESCRIPTION	BY	CHKD
A	16MAR2020	REVISED PER ECO-20-002189	SY	HL

REV	DATE	DESCRIPTION	BY	CHKD
A	16MAR2020	REVISED PER ECO-20-002189	SY	HL

REV	DATE	DESCRIPTION	BY	CHKD
A	16MAR2020	REVISED PER ECO-20-002189	SY	HL

REV	DATE	DESCRIPTION	BY	CHKD
A	16MAR2020	REVISED PER ECO-20-002189	SY	HL

REV	DATE	DESCRIPTION	BY	CHKD
A	16MAR2020	REVISED PER ECO-20-002189	SY	HL

REV	DATE	DESCRIPTION	BY	CHKD
A	16MAR2020	REVISED PER ECO-20-002189	SY	HL

REV	DATE	DESCRIPTION	BY	CHKD
A	16MAR2020	REVISED PER ECO-20-002189	SY	HL

REV	DATE	DESCRIPTION	BY	CHKD
A	16MAR2020	REVISED PER ECO-20-002189	SY	HL

REV	DATE	DESCRIPTION	BY	CHKD
A	16MAR2020	REVISED PER ECO-20-002189	SY	HL

REV	DATE	DESCRIPTION	BY	CHKD
A	16MAR2020	REVISED PER ECO-20-002189	SY	HL

REV	DATE	DESCRIPTION	BY	CHKD
A	16MAR2020	REVISED PER ECO-20-002189	SY	HL

REV	DATE	DESCRIPTION	BY	CHKD
A	16MAR2020	REVISED PER ECO-20-002189	SY	HL

REV	DATE	DESCRIPTION	BY	CHKD
A	16MAR2020	REVISED PER ECO-20-002189	SY	HL

REV	DATE	DESCRIPTION	BY	CHKD
A	16MAR2020	REVISED PER ECO-20-002189	SY	HL

REV	DATE	DESCRIPTION	BY	CHKD
A	16MAR2020	REVISED PER ECO-20-002189	SY	HL

REV	DATE	DESCRIPTION	BY	CHKD
A	16MAR2020	REVISED PER ECO-20-002189	SY	HL

REV	DATE	DESCRIPTION	BY	CHKD
A	16MAR2020	REVISED PER ECO-20-002189	SY	HL

REV	DATE	DESCRIPTION	BY	CHKD
A	16MAR2020	REVISED PER ECO-20-002189	SY	HL

REV	DATE	DESCRIPTION	BY	CHKD
A	16MAR2020	REVISED PER ECO-20-002189	SY	HL

REV	DATE	DESCRIPTION	BY	CHKD
A	16MAR2020	REVISED PER ECO-20-002189	SY	HL

REV	DATE	DESCRIPTION	BY	CHKD
A	16MAR2020	REVISED PER ECO-20-002189	SY	HL

REV	DATE	DESCRIPTION	BY	CHKD
A	16MAR2020	REVISED PER ECO-20-002189	SY	HL

REV	DATE	DESCRIPTION	BY	CHKD
A	16MAR2020	REVISED PER ECO-20-002189	SY	HL

REV	DATE	DESCRIPTION	BY	CHKD
A	16MAR2020	REVISED PER ECO-20-002189	SY	HL

REV	DATE	DESCRIPTION	BY	CHKD
A	16MAR2020	REVISED PER ECO-20-002189	SY	HL

REV	DATE	DESCRIPTION	BY	CHKD
A	16MAR2020	REVISED PER ECO-20-002189	SY	HL

REV	DATE	DESCRIPTION	BY	CHKD
A	16MAR2020	REVISED PER ECO-20-002189	SY	HL

REV	DATE	DESCRIPTION	BY	CHKD
A	16MAR2020	REVISED PER ECO-20-002189	SY	HL

REV	DATE	DESCRIPTION	BY	CHKD
A	16MAR2020	REVISED PER ECO-20-002189	SY	HL

REV	DATE	DESCRIPTION	BY	CHKD
A	16MAR2020	REVISED PER ECO-20-002189	SY	HL

REV	DATE	DESCRIPTION	BY	CHKD
A	16MAR2020	REVISED PER ECO-20-002189	SY	HL

REV	DATE	DESCRIPTION	BY	CHKD
A	16MAR2020	REVISED PER ECO-20-002189	SY	HL

REV	DATE	DESCRIPTION	BY	CHKD
A	16MAR2020	REVISED PER ECO-20-002189	SY	HL

REV	DATE	DESCRIPTION	BY	CHKD
A	16MAR2020	REVISED PER ECO-20-002189	SY	HL

REV	DATE	DESCRIPTION	BY	CHKD
A	16MAR2020	REVISED PER ECO-20-002189	SY	HL

REV	DATE	DESCRIPTION	BY	CHKD
A	16MAR2020	REVISED PER ECO-20-002189	SY	HL

REV	DATE	DESCRIPTION	BY	CHKD
A	16MAR2020	REVISED PER ECO-20-002189	SY	HL