

MATERIALS AND FINISHES

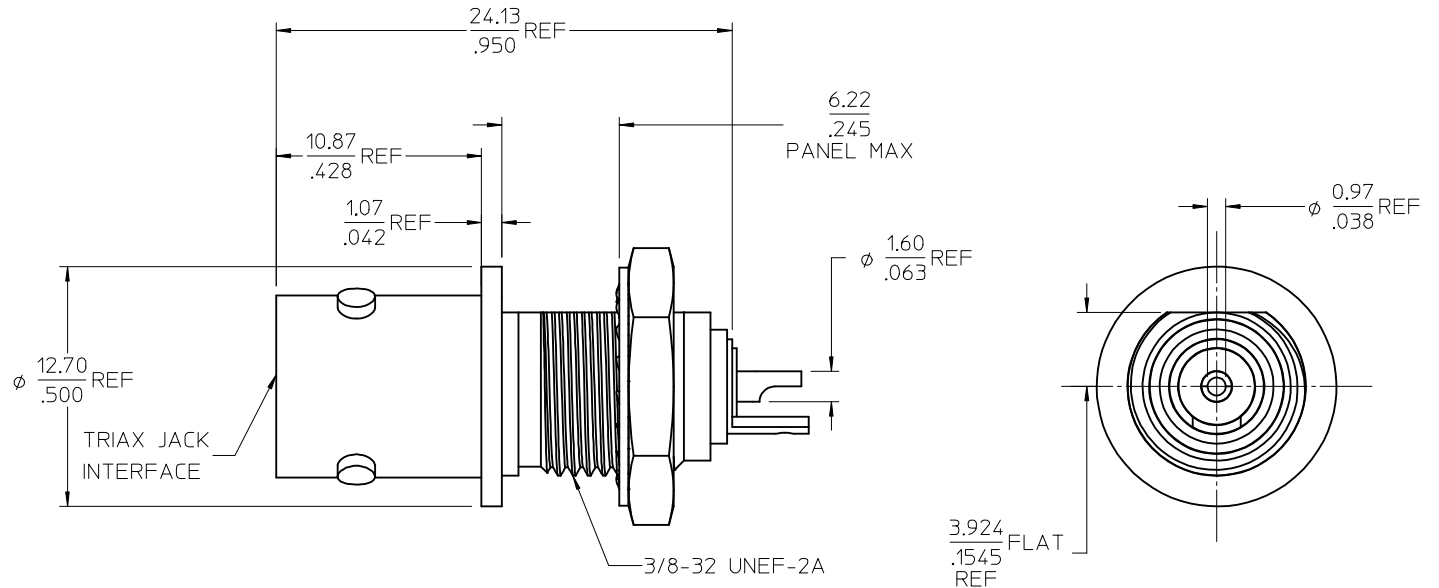
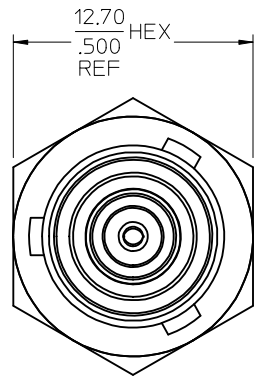
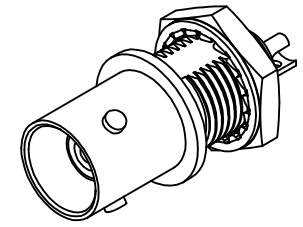
BODY, JAM NUT BRASS
PLATED NICKEL

CENTER CONTACT BERYLLIUM COPPER
PLATED GOLD

INTERMEDIATE CONTACT BRASS
PLATED GOLD

LOCKWASHER PHOSPHOR BRONZE
PLATED NICKEL

INSULATOR TEFLON



PART # 73415-1780

MIL-STD-348A, FIG. 201.2	INTERFACE
SPECIFICATION	DESCRIPTION

CHG: REDREW TO SHOW RE-ORIENTED FLAT	EC NO: URF2006-0529	DRWN: FLAHERTY 2006/05/25	CHKD: SHAH 2006/05/25	APPR: JWENER 2006/05/25	QUALITY SYMBOLS ▽=0 ▽=0	GENERAL TOLERANCES (UNLESS SPECIFIED)		DIMENSION STYLE		SCALE	DESIGN UNITS	THIRD ANGLE PROJECTION
						mm	INCH	MM/IN	METRIC	DRAWN BY DATE TEF 2004/09/03 CHECKED BY DATE SSS 2004/09/03 APPROVED BY DATE JDW 2004/09/03	TITLE TRIAX JACK, BLKHD, 3 LUG WITH SOLDER POT TRIAX-JC MOLEX INCORPORATED	
4 PLACES ± --- ± --- 3 PLACES ± --- ± --- 2 PLACES ± --- ± --- 1 PLACE ± --- ± --- ANGULAR ± 2 °						MATERIAL NO. 734151780		DOCUMENT NO. SD-73415-178		SHEET NO. 1 OF 1		
DRAFT WHERE APPLICABLE MUST REMAIN WITHIN DIMENSIONS						SIZE C		THIS DRAWING CONTAINS INFORMATION THAT IS PROPRIETARY TO MOLEX INCORPORATED AND SHOULD NOT BE USED WITHOUT WRITTEN PERMISSION				