

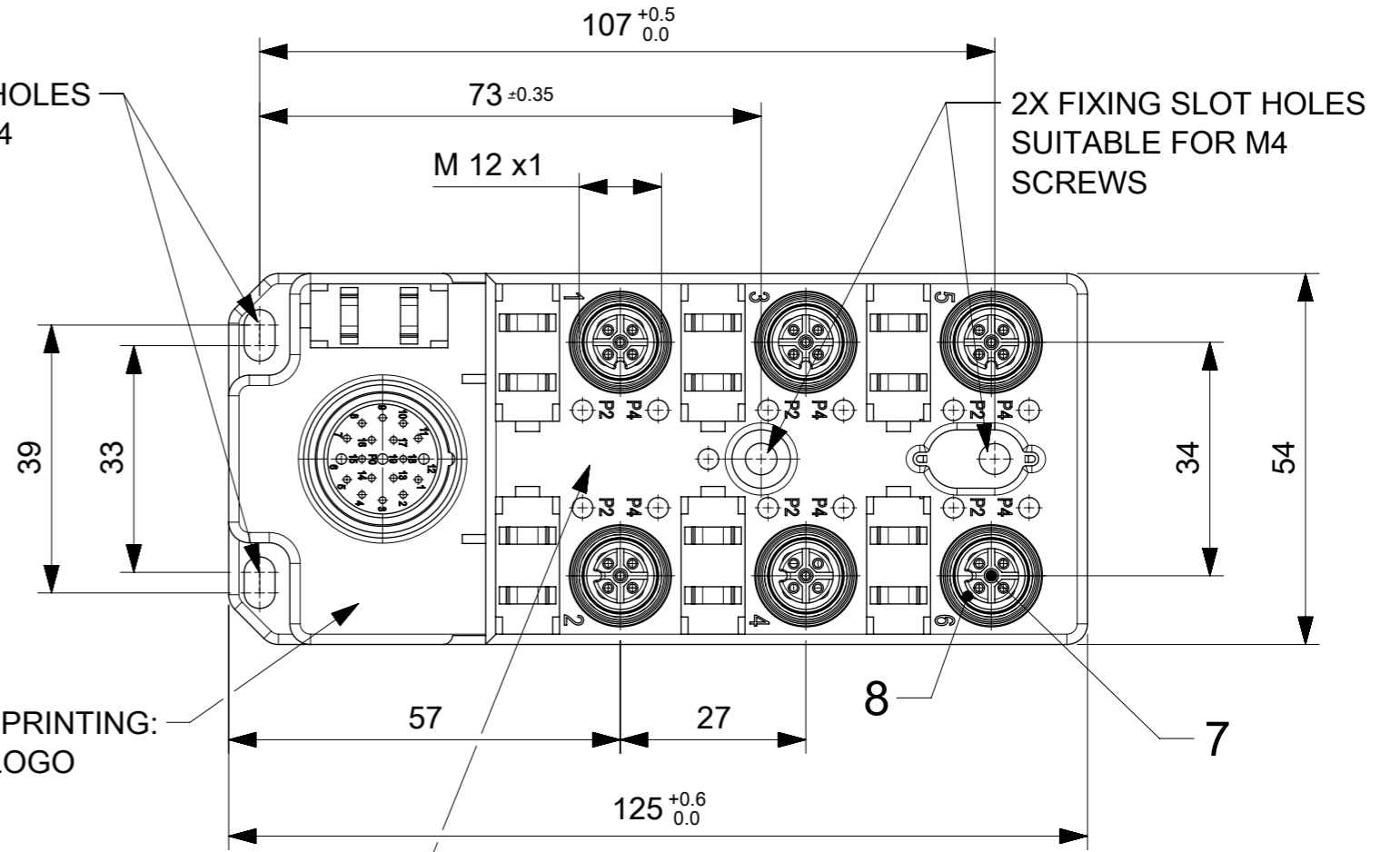
TABLE 1

MOLEX P/N	ENG. NO.	LED
1202510067	BKB6030-FBC	NO
1202510068	BKB603P-FBC	YES
1202510069	BKB603N-FBC	YES

TABLE 2 BILL OF MATERIAL

ITEM	DESCRIPTION	MATERIAL	FINISH
1	LABEL	ABS	WHITE
2	SHELL	BRASS	NICKEL PLATED
3	O-RING	NBR	BLACK
4	O-RING	NBR	BLACK
5	CONTACT	BRASS	GOLD OVER NICKEL
6	CONTACT	BRASS	GOLD OVER NICKEL
7	CONTACT	BRONZE	GOLD OVER NICKEL
8	O-RING	FPM	RED
9	LED	NO LED = PA	BLACK
		WITH LED = PA	TRANSPARENT
10	SHELL	BRASS	NICKEL PLATED
11	HOUSING	PBT	BLACK

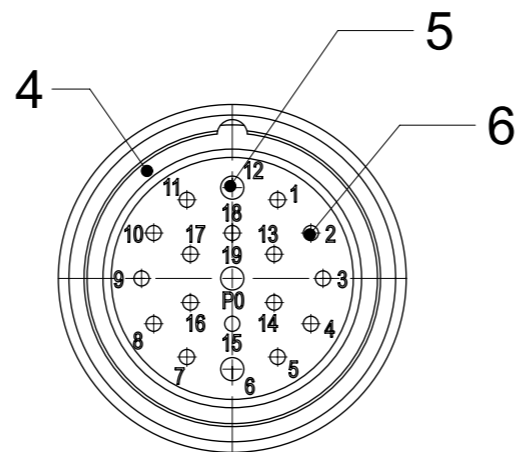
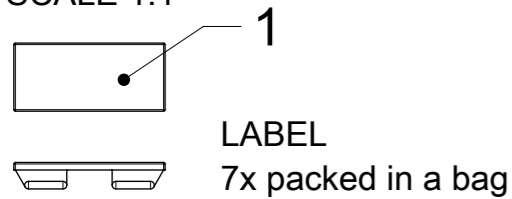
2X FIXING SLOT HOLES
SUITABLE FOR M4
SCREWS



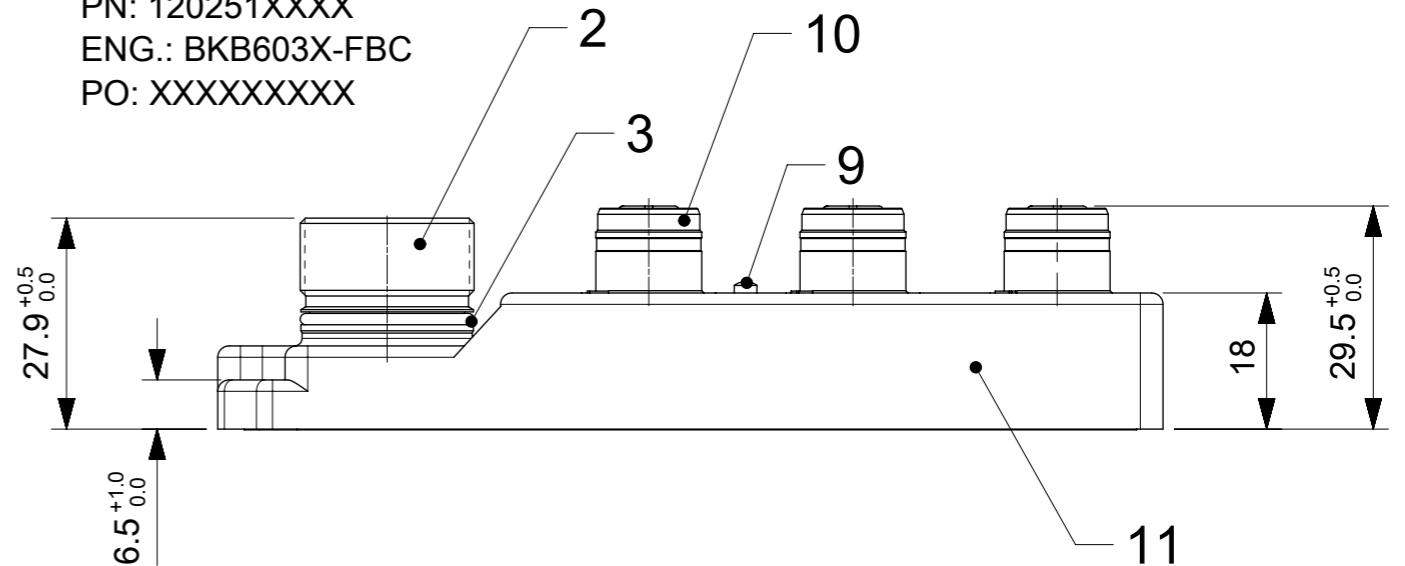
LASER PRINTING:
BRAD LOGO

LASER PRINTING:
PN: 120251XXXX
ENG.: BKB603X-FBC
PO: XXXXXXXXXX

SCALE 1:1



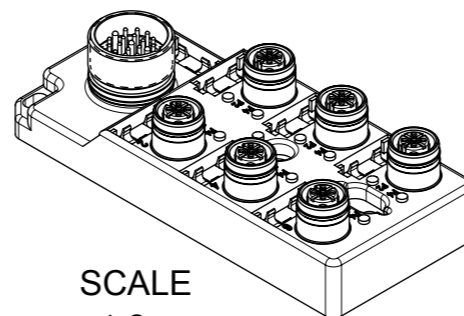
SCALE
2:1



GENERAL CHARACTERISTICS:

ELECTRICAL AND MECHANICAL DATA ACC. TO IEC 61076-2-101

NOMINAL VOLTAGE: 10-30 V DC
 AMPERE RATING: 4 A PER PORT / 12 A MAX
 AMPERE RATING WITH UL REGISTRATION: 3 A PER PORT / 9 A MAX
 IP DEGREE OF PROTECTION: IP 67
 TEMPERATURE RANGE: -25°C to + 85°C



SCALE
1:2

SYMBOLS		THIS DRAWING CONTAINS INFORMATION THAT IS PROPRIETARY TO MOLEX ELECTRONIC TECHNOLOGIES, LLC AND SHOULD NOT BE USED WITHOUT WRITTEN PERMISSION	
DIMENSION UNITS	SCALE	CURRENT REV DESC:	
mm	1:1	EC NO: 630686	
GENERAL TOLERANCES (UNLESS SPECIFIED)		DRWN: SSM	2018/12/12
ANGULAR TOL ± 1.0°		CHK'D: RSILLER	2020/01/17
4 PLACES ±		APPR: RSILLER	2020/01/17
3 PLACES ±		INITIAL REVISION:	
2 PLACES ± 0.05		DRWN: SSM	2018/12/12
1 PLACE ± 0.3		APPR: RSILLER	2020/01/17
0 PLACES ± 0.5		DRAFT WHERE APPLICABLE MUST REMAIN WITHIN DIMENSIONS	
THIRD ANGLE PROJECTION		DRAWING	SERIES
A3-SIZE		120251	MATERIAL NUMBER
SEE TABLE 1		CUSTOMER	
GENERAL MARKET		SHEET NUMBER	
1 OF 2			

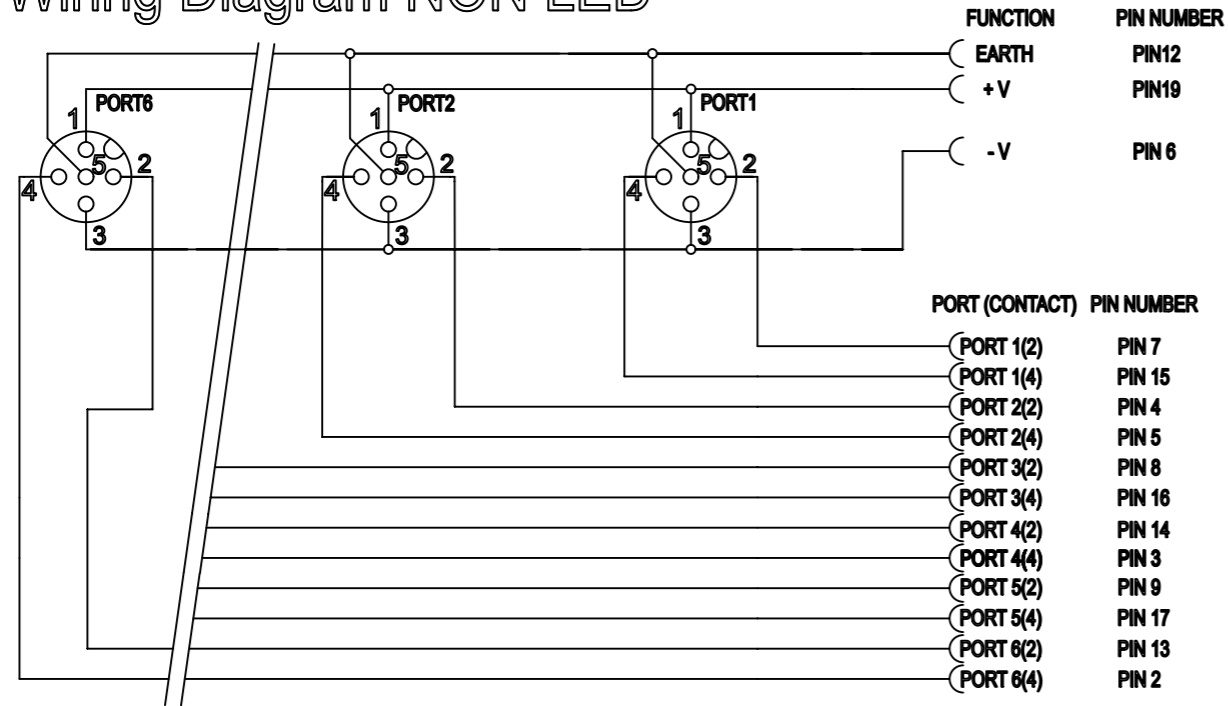
molex

MPIS U12 NON 5P 6PT M23 BK DUAL

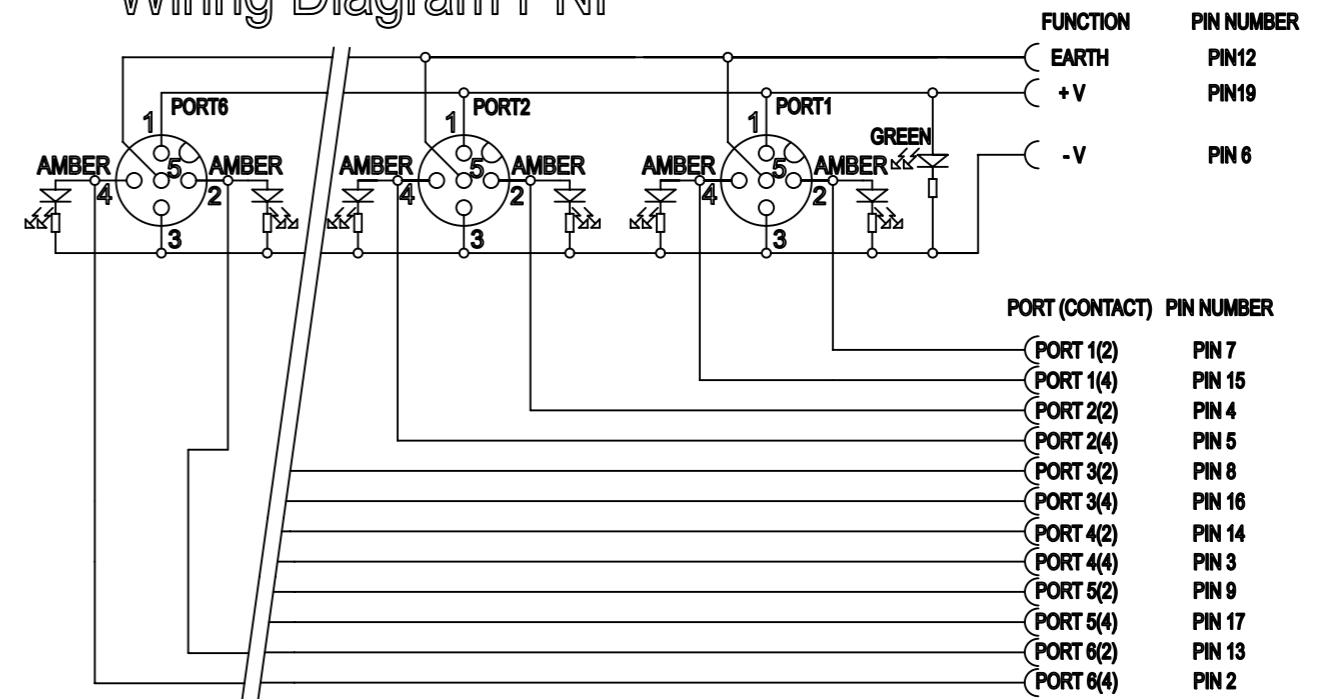
PRODUCT CUSTOMER DRAWING

DOCUMENT NUMBER	DOC TYPE	DOC PART	REVISION
1202510067	PSD	000	A

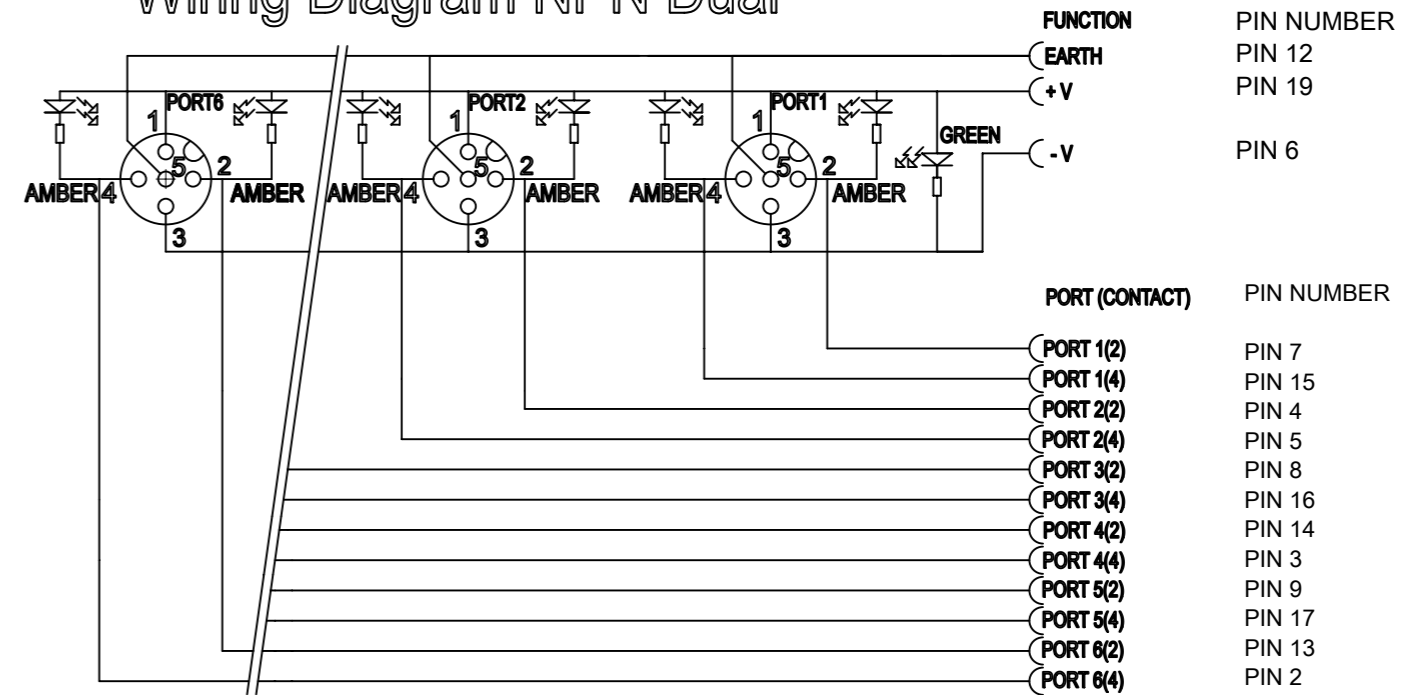
Wiring Diagram NON LED



Wiring Diagram PNP



Wiring Diagram NPN Dual



SYMBOLS		THIS DRAWING CONTAINS INFORMATION THAT IS PROPRIETARY TO MOLEX ELECTRONIC TECHNOLOGIES, LLC AND SHOULD NOT BE USED WITHOUT WRITTEN PERMISSION	
DIMENSION UNITS	SCALE	CURRENT REV DESC:	
▽ = 0	mm	1:1	molex
▽ = 0	GENERAL TOLERANCES (UNLESS SPECIFIED)		
▽ = 0	ANGULAR TOL ± 1.0°		MPIS U12 NON 5P 6PT M23 BK DUAL
▽ = 0	4 PLACES	±	PRODUCT CUSTOMER DRAWING
▽ = 0	3 PLACES	±	
▽ = 0	2 PLACES	± 0.05	DOCUMENT NUMBER
▽ = 0	1 PLACE	± 0.3	1202510067
▽ = 0	0 PLACES	± 0.5	DOC TYPE
□ = 0	DRAFT WHERE APPLICABLE MUST REMAIN WITHIN DIMENSIONS		PSD
▽ = 0	THIRD ANGLE PROJECTION		DOC PART
		DRAWING	000
		SERIES	REVISION
		A3-SIZE	A
		120251	
		MATERIAL NUMBER	SHEET NUMBER
		SEE TABLE 1	2 OF 2
		CUSTOMER	
		GENERAL MARKET	