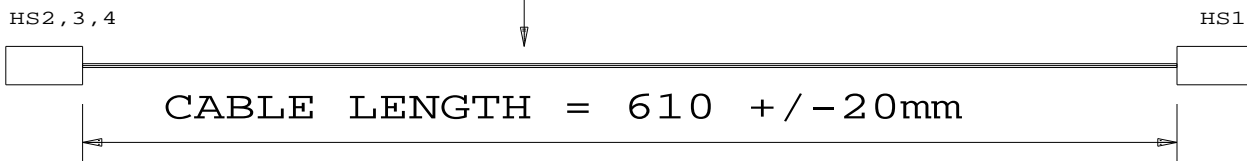
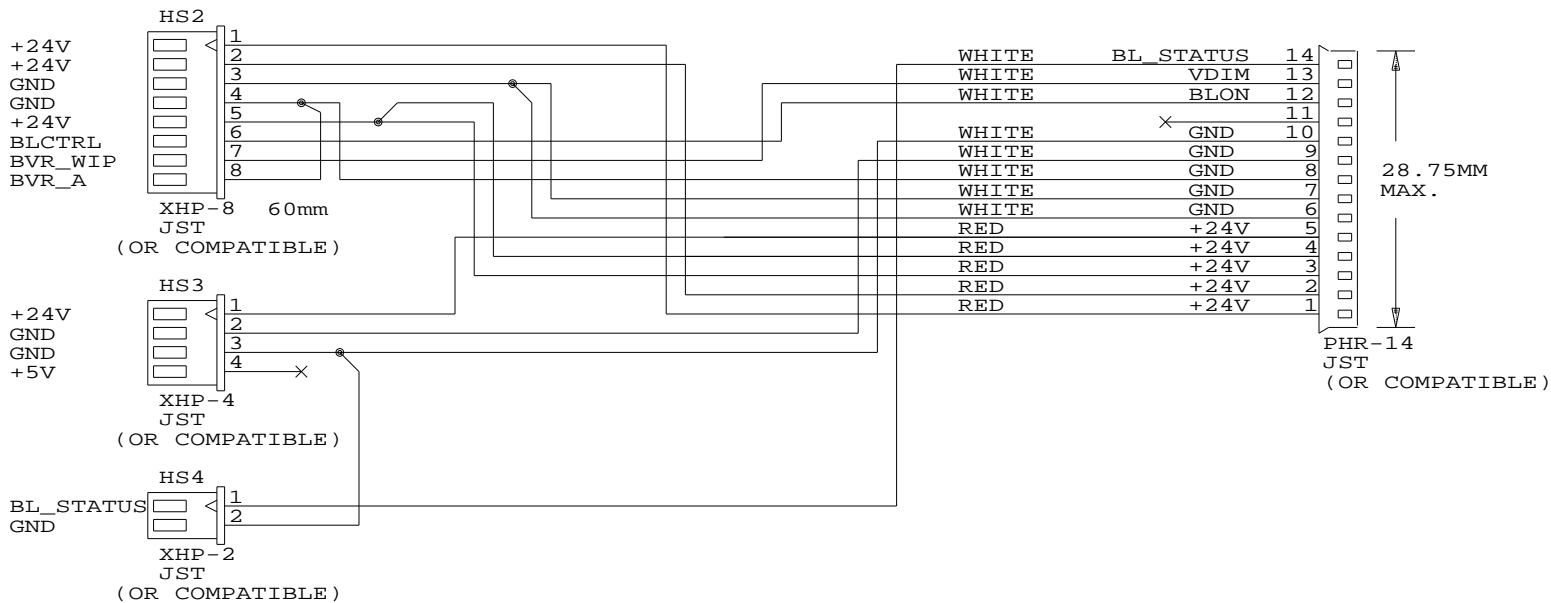


CABLE TIE WITH P/N TAG



WIRE:

HS1 PIN 1-5: UL1007 AWG24 RED
 OTHERS: UL1007 AWG24 WHITE



RoHS
COMPLIANCE

DIGITAL VIEW LTD.
 COPYRIGHT 2006, ALL RIGHTS RESERVED
 CONFIDENTIAL
 DRAWN BY: VICTOR NG

CABLE P/N: 426061600-3, 610mm
 INV. CABLE FOR SAMSUNG LTB300M1-P01

| | | |
|-------------------------------------|---------------------------------|--------------|
| Title | | REV |
| INVERTER CABLE: LTB300M1-P01, 610mm | | |
| Size | Document Number | REV |
| A | (:\..\DV\DV_CABLE\C6061600.SCH) | 00 |
| Date: | October 25, 2006 | Sheet 1 of 1 |