

RoHS COMPLIANT BY EXEMPTION

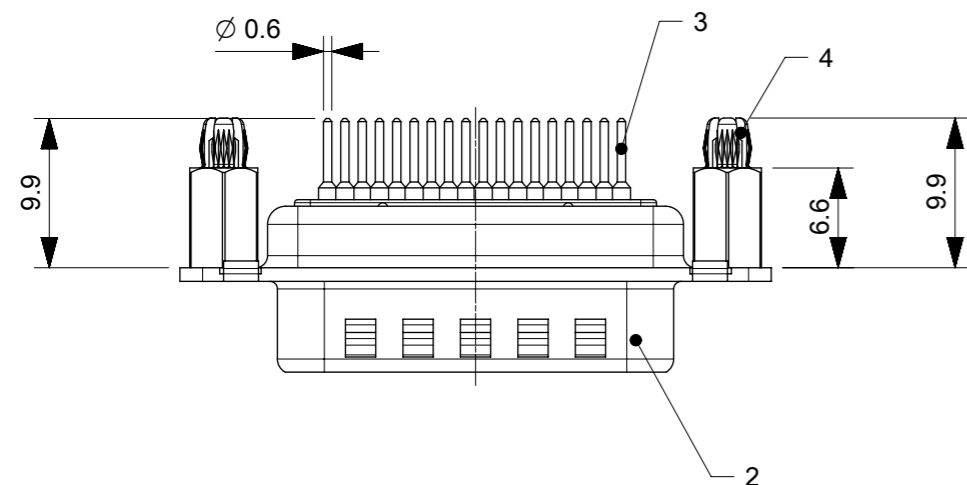


TABLE FOR PART NUMBERS

| MOLEX PART# | FCT PART# | X-X | A [mm] | B [mm] | C [mm] | E[mm] | F[mm] | NO. OF CONTACTS 1./2./3. ROW | FORMERLY PART NO |
|-------------|-----------------|-------|--------|--------|--------|-------|-------|---------------------------------|------------------|
| 1731130141 | F09-15P1G0-5337 | 09-15 | 30.8 | 16.9 | 25 | Ø1 | Ø3 | 5/5/5 | CT09-15P1-5688 |
| 1731130142 | F15-26P1G0-5337 | 15-26 | 39.1 | 25.2 | 33.3 | | | 9/9/8 | |
| 1731130143 | F25-44P1G0-5337 | 25-44 | 53 | 38.9 | 47.04 | | | 15/15/14 | |

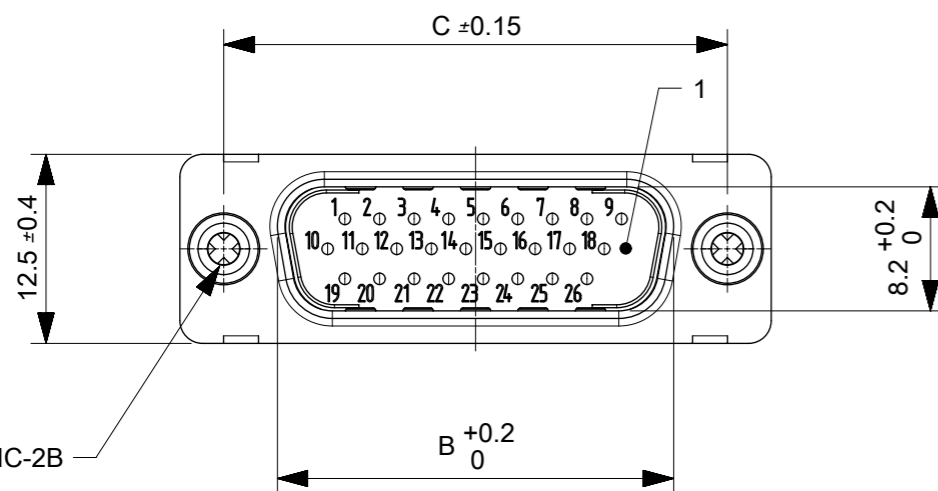
*PCB HOLE PATTERNS, ØE, ØF, ON SUPPLEMENT 1731131001

TABLE FOR GENERAL TOLERANCES

| PERMISSIBLE DEVIATIONS FOR BASIC SIZE RANGE | | | | |
|---|----------------|----------------|-----------------|------------------|
| 0.5 UPTO | OVER 3 UPTO | OVER 6 UPTO | OVER 30 UPTO | OVER 120 UPTO |
| 3 | 6 | 30 | 120 | 400 |
| ±0.1 | ±0.1 | ±0.2 | ±0.3 | ±0.5 |

X-X NO. OF CONTACTS 09-15, 15-26, 25-44

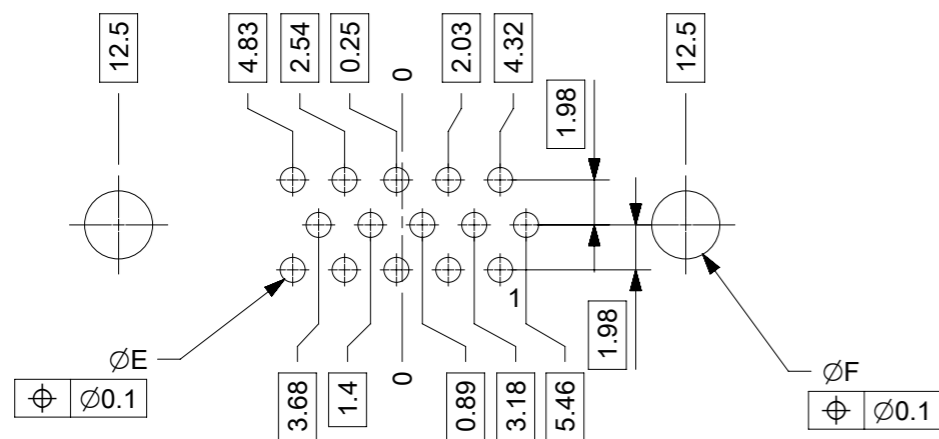
| | | | | |
|-----|-----|--------------------------|---------------------------|------------------------------|
| 4 | 2 | SNAP-IN BOLT | PCB 1.6mm / BRASS | TIN PLATED |
| 3 | X-X | SIGNAL CONTACT, MACHINED | HP1 / BRASS | 0.8µm Au |
| 2 | 1 | SHELL | STEEL | TIN PLATED |
| 1 | 1 | INSULATOR | THERMOPLASTIC, GF | BLACK |
| NO. | St. | PART | TYPE DESCRIPTION/MATERIAL | SURFACE PLATING/COLOUR/CLASS |



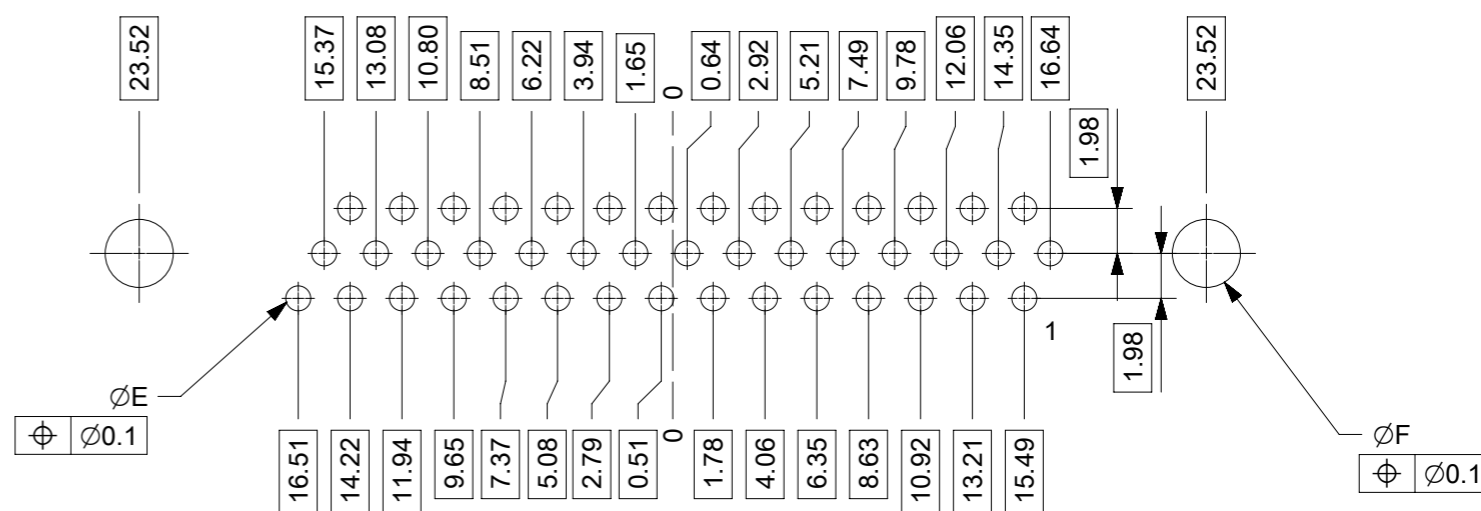
THIS DRAWING CONTAINS INFORMATION THAT IS PROPRIETARY TO MOLEX ELECTRONIC TECHNOLOGIES, LLC AND SHOULD NOT BE USED WITHOUT WRITTEN PERMISSION

| | | | | | | | |
|-------------------------------|---|---------------------------------------|--------------|------------------------|--------------------------|-----------------|--------------|
| DRAWING UPDATED 2017/08/30 | EC NO: 121239 DRWN: ISHWARG CHK'D: KPRASAD APPR: KPRASAD | GENERAL TOLERANCES (UNLESS SPECIFIED) | | DIMENSION UNITS | SCALE | | |
| | | ANGULAR TOL ± ° | | mm | 2:1 | | |
| | | 4 PLACES ± | DRWN BY | RLALSANGI | DATE | | 2017/04/11 |
| | | 3 PLACES ± | CHK'D BY | ISHWARG | DATE | | 2017/06/07 |
| 2 PLACES ± | APPR BY | ISHWARG | DATE | 2017/06/07 | PRODUCT CUSTOMER DRAWING | | |
| 1 PLACE ± | DRAFT WHERE APPLICABLE MUST REMAIN WITHIN DIMENSIONS | | DRAWING SIZE | THIRD ANGLE PROJECTION | | SERIES | |
| 0 PLACES ± | A3 | | | | 173113 | MATERIAL NUMBER | |
| | | | | | | SEE TABLE | CUSTOMER |
| | | | | | | GENERAL MARKET | |
| | | | | | | DOCUMENT NUMBER | DOC TYPE |
| | | | | | | 1731130141 | PSD |
| | | | | | | DOC PART | SHEET NUMBER |
| | | | | | | 000 | 1 OF 1 |

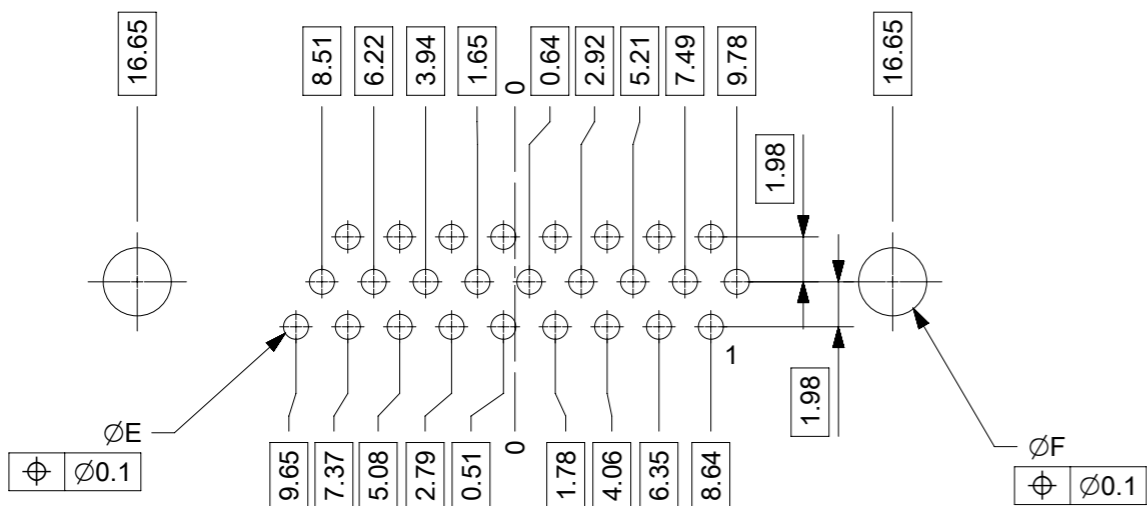
PCB 09-15



PCB 25-44



PCB 15-26



VIEW ON MOUNTING SIDE

ØE, ØF, SEE DATA SHEET INCL. CONNECTOR
 ØF, CONNECTORS WITH ACCESSORIES ONLY

| | | | | | | | | | | | |
|---|------------|--|----------|-----------------|------------------------|-----------------|-----------------|----------|--|--------------|--|
| THIS DRAWING CONTAINS INFORMATION THAT IS PROPRIETARY TO MOLEX ELECTRONIC TECHNOLOGIES, LLC AND SHOULD NOT BE USED WITHOUT WRITTEN PERMISSION | | | | | | | | | | | |
| EC NO: 117803 DRWN: RLALSANGI CHK'D: ISHWARG APPR: ISHWARG | 2017/04/20 | GENERAL TOLERANCES (UNLESS SPECIFIED) | | DIMENSION UNITS | SCALE | | | | | | |
| | 2017/06/07 | ANGULAR TOL ± ° | | MM | 2:1 | | | | | | |
| | 2017/06/07 | 4 PLACES ± | DRWN BY | RLALSANGI | | DATE | 2017/04/20 | | PCB HOLE PATTERN FOR HIGH-DENSITY PIN STRAIGHT | | |
| | | 3 PLACES ± | CHK'D BY | ISHWARG | | DATE | 2017/06/07 | | | | |
| | | 2 PLACES ± | APPR BY | ISHWARG | | DATE | 2017/06/07 | | PRODUCT CUSTOMER DRAWING | | |
| | 1 PLACE ± | DRAFT WHERE APPLICABLE MUST REMAIN WITHIN DIMENSIONS | | DRAWING SIZE | THIRD ANGLE PROJECTION | SERIES | MATERIAL NUMBER | CUSTOMER | | | |
| | 0 PLACES ± | A3 | A3 | | 173113 | | NOT APPLICABLE | | GENERAL MARKET | | |
| | | | | | | DOCUMENT NUMBER | | DOC TYPE | DOC PART | SHEET NUMBER | |
| | | | | | | 1731131001 | | PSD | 000 | 1 OF 1 | |