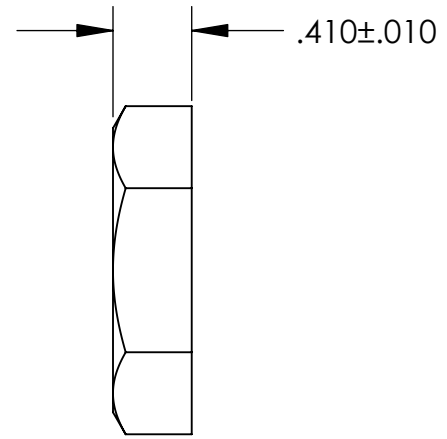
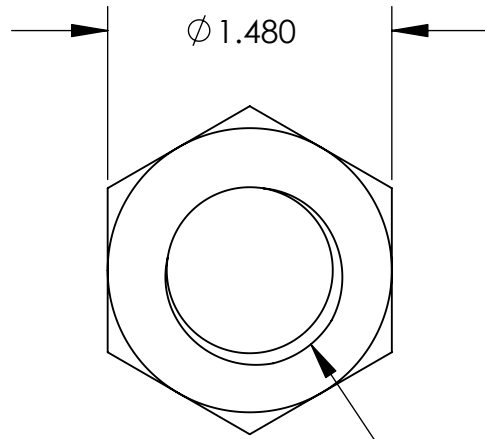


UNCONTROLLED DOCUMENT



1"-8 THREADS

TOLERANCES UNLESS NOTED

- ±.005 ON DIMENSIONS THRU .625
- ±.008 ON DIMENSIONS .626 THRU 1.000
- ±.010 ON DIMENSIONS 1.001 THRU 1.500
- ±.015 ON DIMENSIONS LARGER THAN 1.500
- ±.015 ON FRACTIONAL DIMENSIONS

WE RESERVE THE RIGHT  
 TO DISCONTINUE ITEMS,  
 CHANGE SPECIFICATIONS  
 OR DESIGN AT ANY TIME  
 WITHOUT NOTICE AND  
 WITHOUT INCURRING  
 ANY OBLIGATIONS

PROPERTY OF  
**MICRO PLASTICS INC.**

CATALOG DRAWING  
 NYLON HEX JAM NUTS  
 MICRO P/N 0410008HJN  
 DWG. # 0410008HJN  
 FILE SERVER\ENG\WEB

MATERIAL: NYLON 6/6

DATE

SCALE  
1:1

**SD**