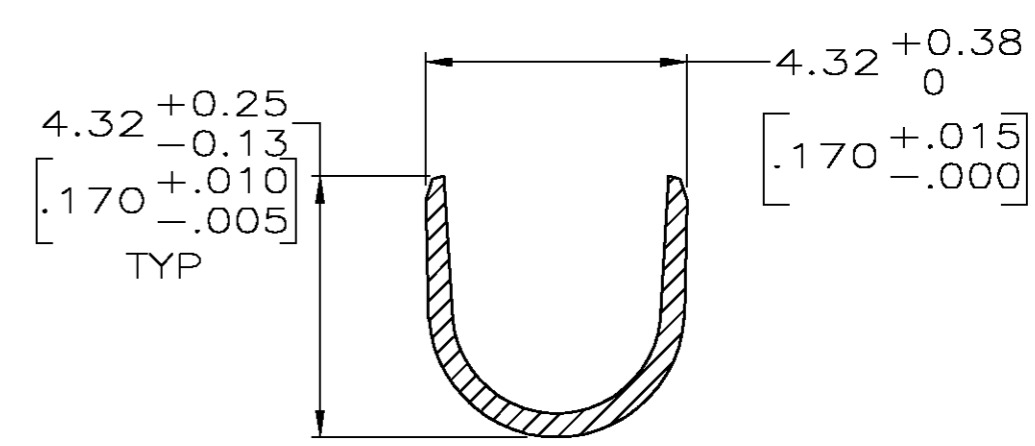
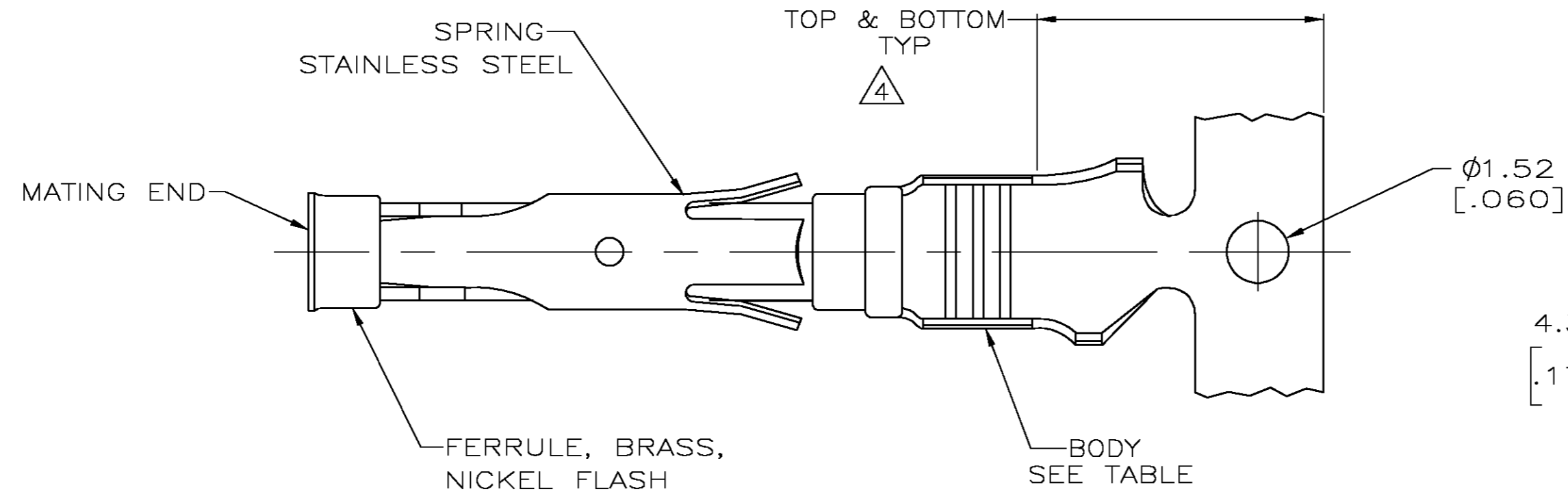
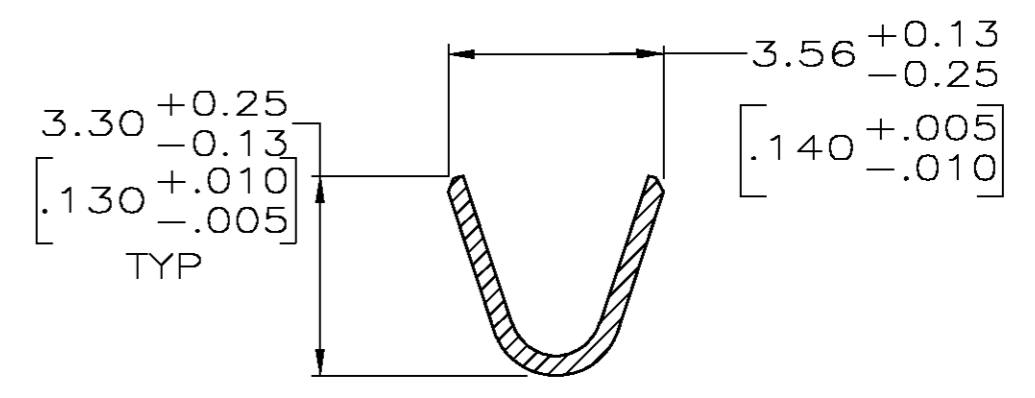
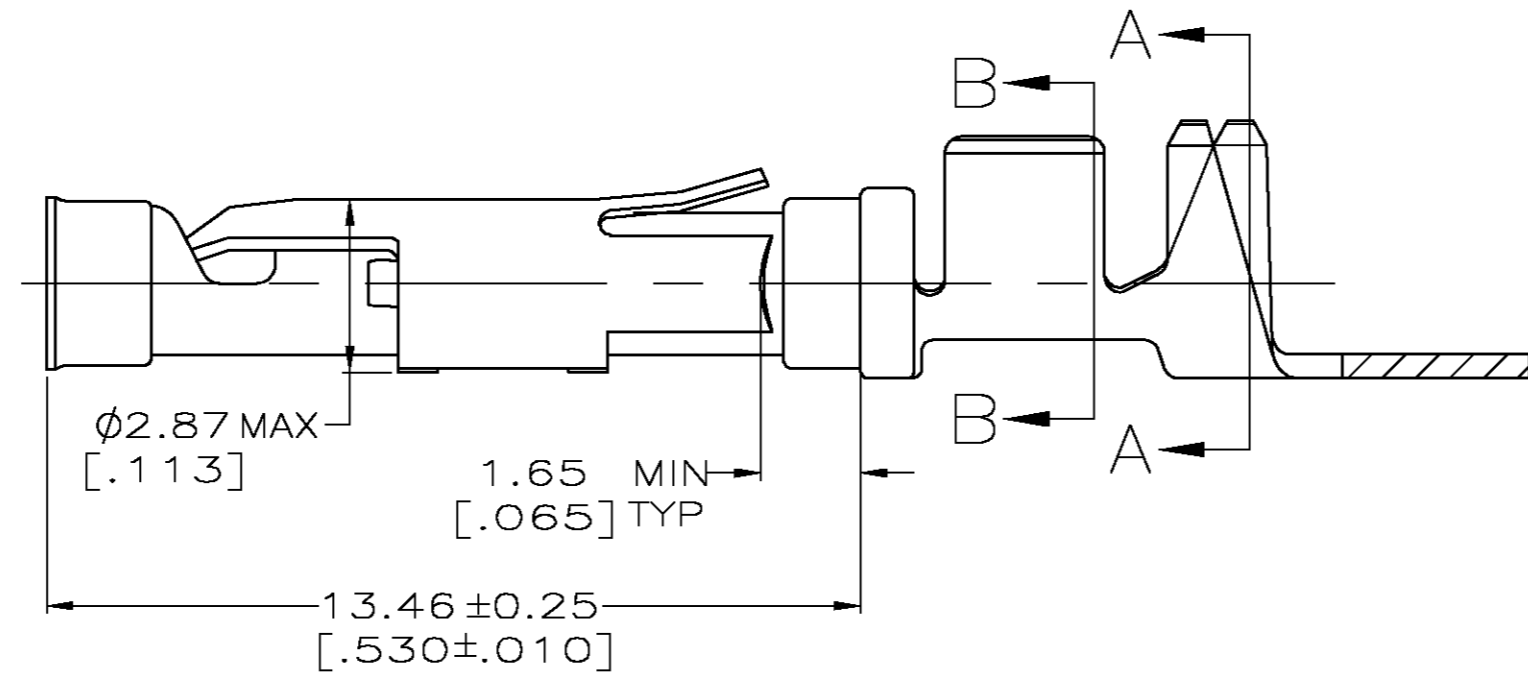
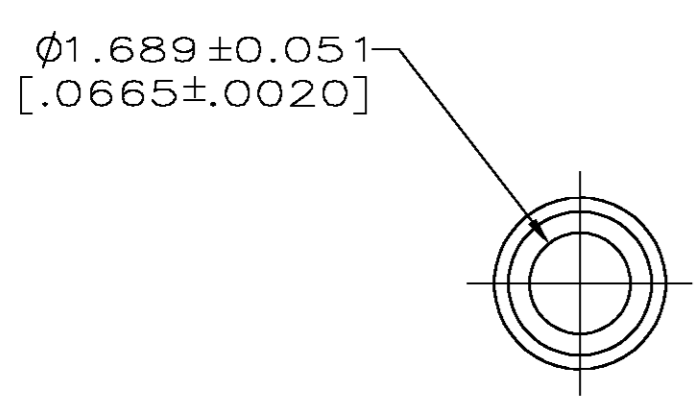


THIS DRAWING IS UNPUBLISHED. RELEASED FOR PUBLICATION  
 © COPYRIGHT BY TYCO ELECTRONICS CORPORATION. ALL RIGHTS RESERVED.

LOC		DIST		REVISIONS			
P	LTR	DESCRIPTION	DATE	DWN	APVD		
W		REVISED PER 0G3B-0956-04	11/19/04	SS	GS		



SECTION A-A



SECTION B-B

- ① 0.51µm [.000020] MIN GOLD PER MIL-G-45204 ON MATING END FOR A LENGTH OF 5.08 [.200] MIN WITH GOLD FLASH ON THE REMAINDER OVER 0.76µm [.000030] MIN NICKEL PER QQ-N-290.
- ② 1.27µm [.000050] MIN TIN-LEAD PER MIL-T-10727 OVER 0.76µm [.000030] MIN NICKEL PER QQ-N-290.
- ③ 0.76µm [.000030] MIN GOLD PER MIL-G-45204 ON MATING END FOR A LENGTH OF 5.08 [.200] MIN WITH GOLD FLASH ON THE REMAINDER OVER 0.76µm [.000030] MIN NICKEL PER QQ-N-290.
- ④ GOLD PLATING NEED NOT APPEAR IN THIS AREA.
- 5. REVERSE REELED FOR MINI-APPLICATOR.
- 6. WIRE RANGE 14-18 AWG. INSULATION RANGE 2.79 [.110]-3.81 [.150].
- ⑦ 0.38µm [.000015] MIN GOLD PER MIL-G-45204 ON MATING END FOR A LENGTH OF 5.08 [.200] MIN, 1.27µm [.000050] MIN TIN-LEAD PER MIL-T-10727 FOR A LENGTH OF 5.69 [.224] MIN ON OPPOSITE END, BOTH OVER 1.27µm [.000050] MIN NICKEL PER QQ-N-290 ON ENTIRE CONTACT.
- ⑧ 1.27µm [.000050] MIN TIN PER MIL-T-10727 OVER 0.76µm [.000030] MIN NICKEL PER QQ-N-290.

⑧	BRASS	-	1-66598-4	
⑧	PHOSPHOR BRONZE	-	1-66598-3	
⑧	CU-NI ALLOY	1-66601-2	1-66598-2	
③	CU-NI ALLOY	1-66601-0	1-66598-1	
⑧	BRASS	-	1-66598-0	
⑧	BRASS	66601-9	66598-9	
OBSELETE	⑦	BRASS	66601-5	66598-8
	②	BRASS	-	66598-7
	③	PHOSPHOR BRONZE	66601-4	66598-6
OBSELETE	②	PHOSPHOR BRONZE	66601-3	66598-5
	①	BRASS	-	66598-3
	③	BRASS	66601-2	66598-2
	②	BRASS	66601-1	66598-1
	BODY FINISH	BODY MATERIAL	LOOSE PIECE REF	PART NUMBER

THIS DRAWING IS A CONTROLLED DOCUMENT.

DIMENSIONS: INCHES	TOLERANCES UNLESS OTHERWISE SPECIFIED:	DWN M.HOFFECKER 8-11-88	Tyco Electronics Corporation Harrisburg, PA 17105
	0 PLC ± - 1 PLC ± - 2 PLC ± - 3 PLC ± - 4 PLC ± - ANGLES ± -	CHK J.McCLINTON 8-11-88	
MATERIAL SEE CALLOUTS	FINISH SEE CALLOUTS	APVD -	NAME
		PRODUCT SPEC -	SOCKET ASSEMBLY, .062, TYPE III+
		APPLICATION SPEC -	
		WEIGHT -	SIZE A2 CAGE CODE 00779 DRAWING NO C=66598
		CUSTOMER DRAWING	RESTRICTED TO -

SCALE 8:1 SHEET 1 OF 1 REV W