

MATERIALS AND FINISHES

BODY: ZINC ALLOY
PLATED NICKEL

CENTER CONTACT: PHOSPHOR BRONZE
PLATED GOLD

INSULATOR: POLYPROPYLENE

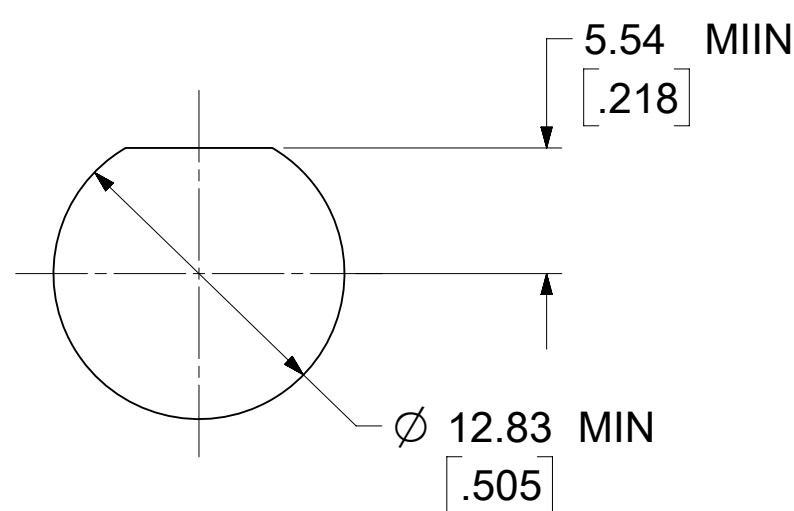
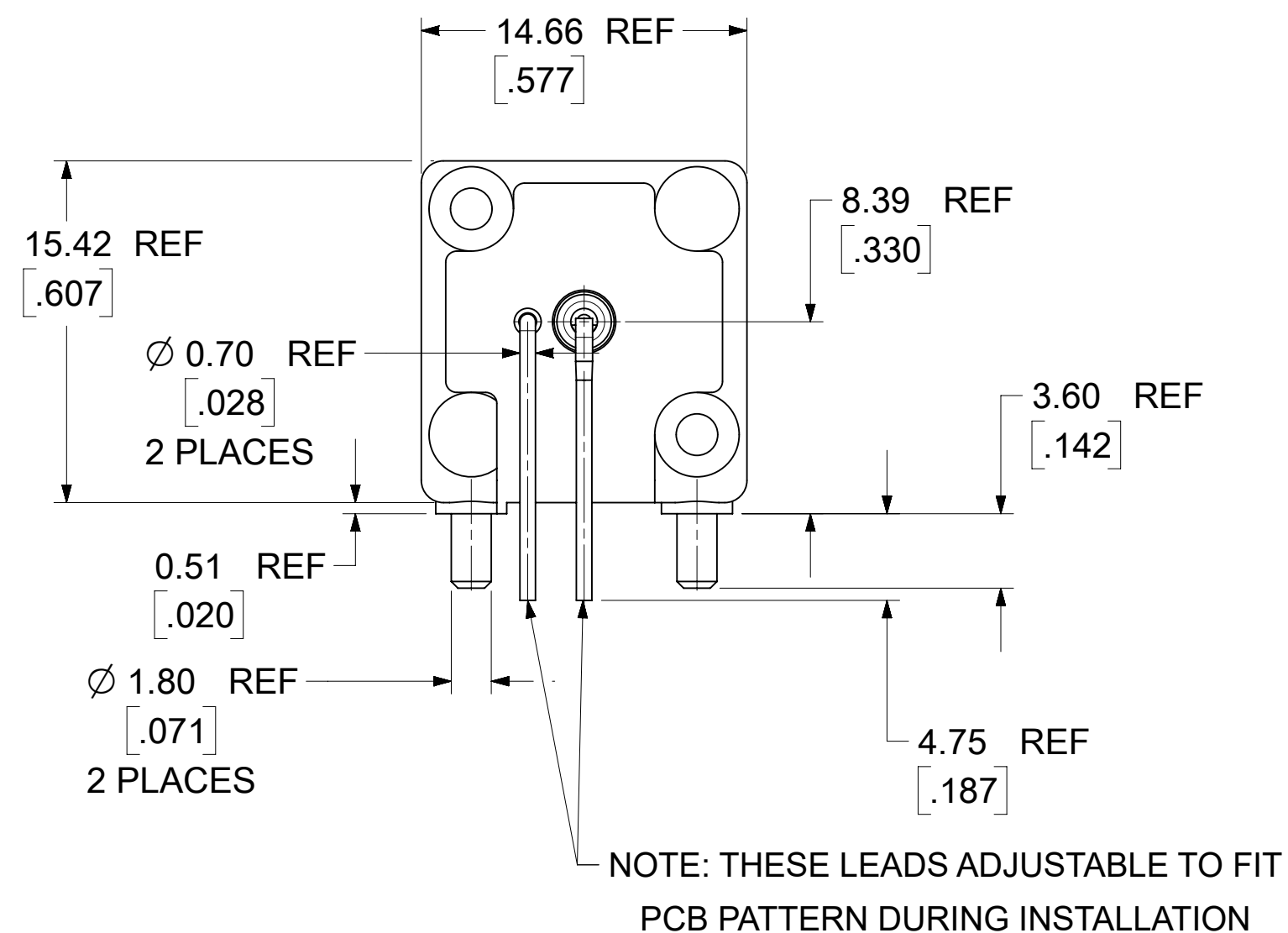
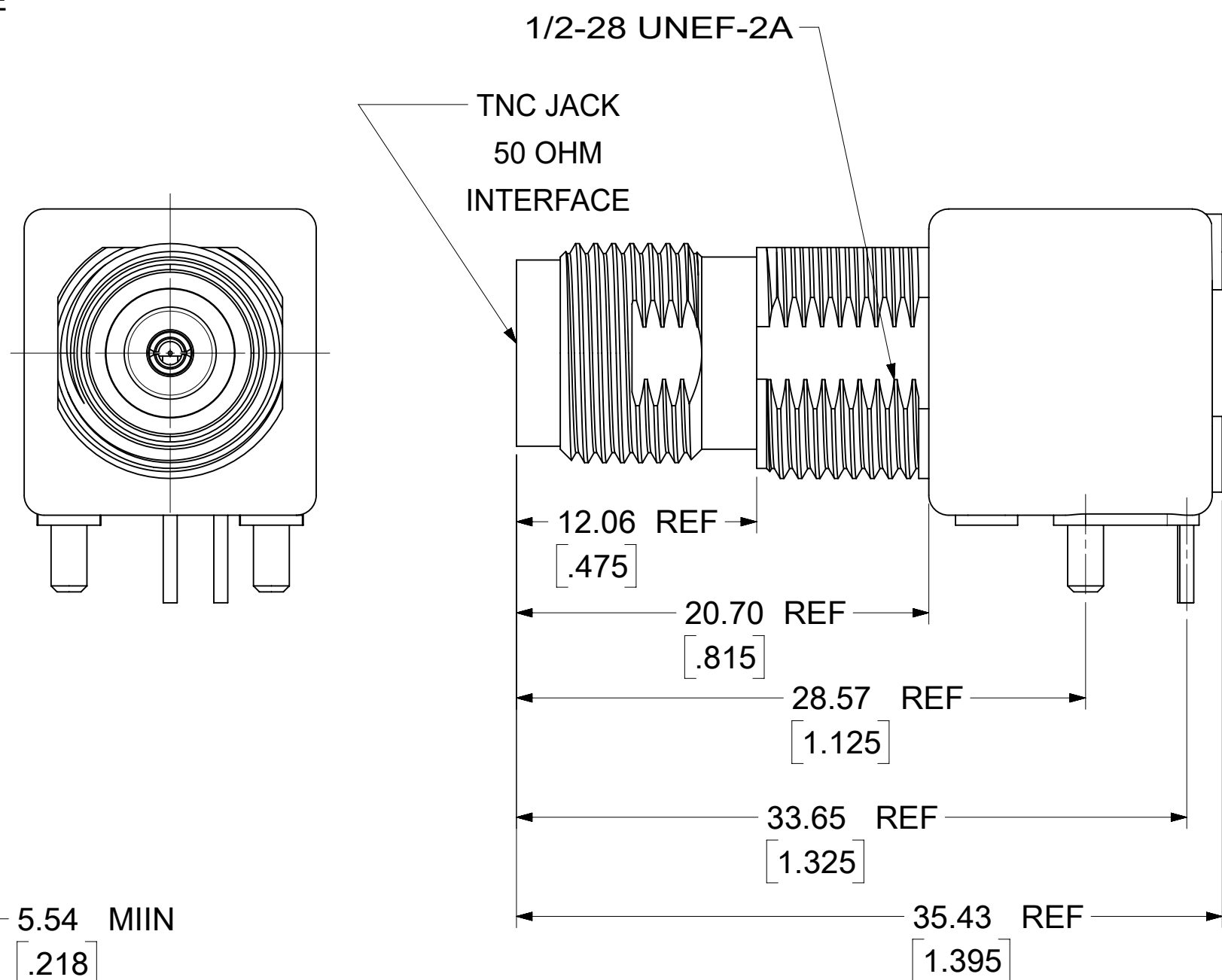
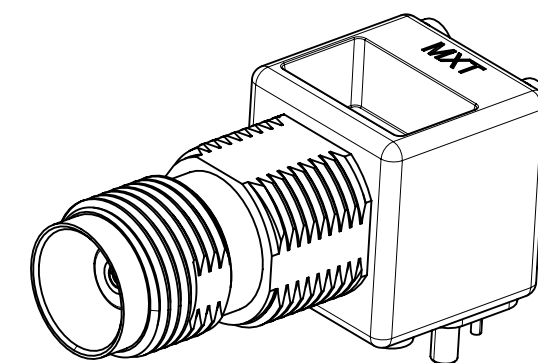
MOUNTING POST: BRASS
PLATED TIN

SOLDER TAIL: STEEL
PLATED TIN

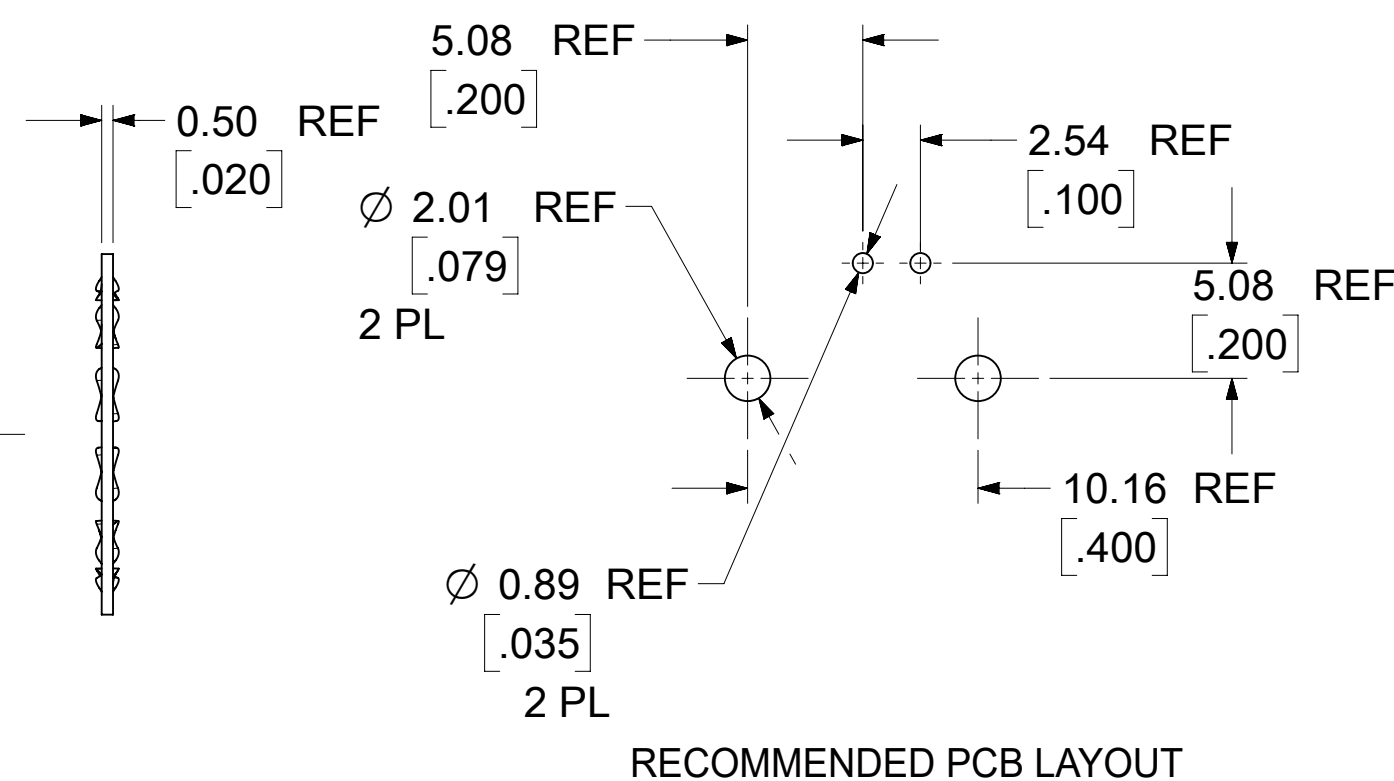
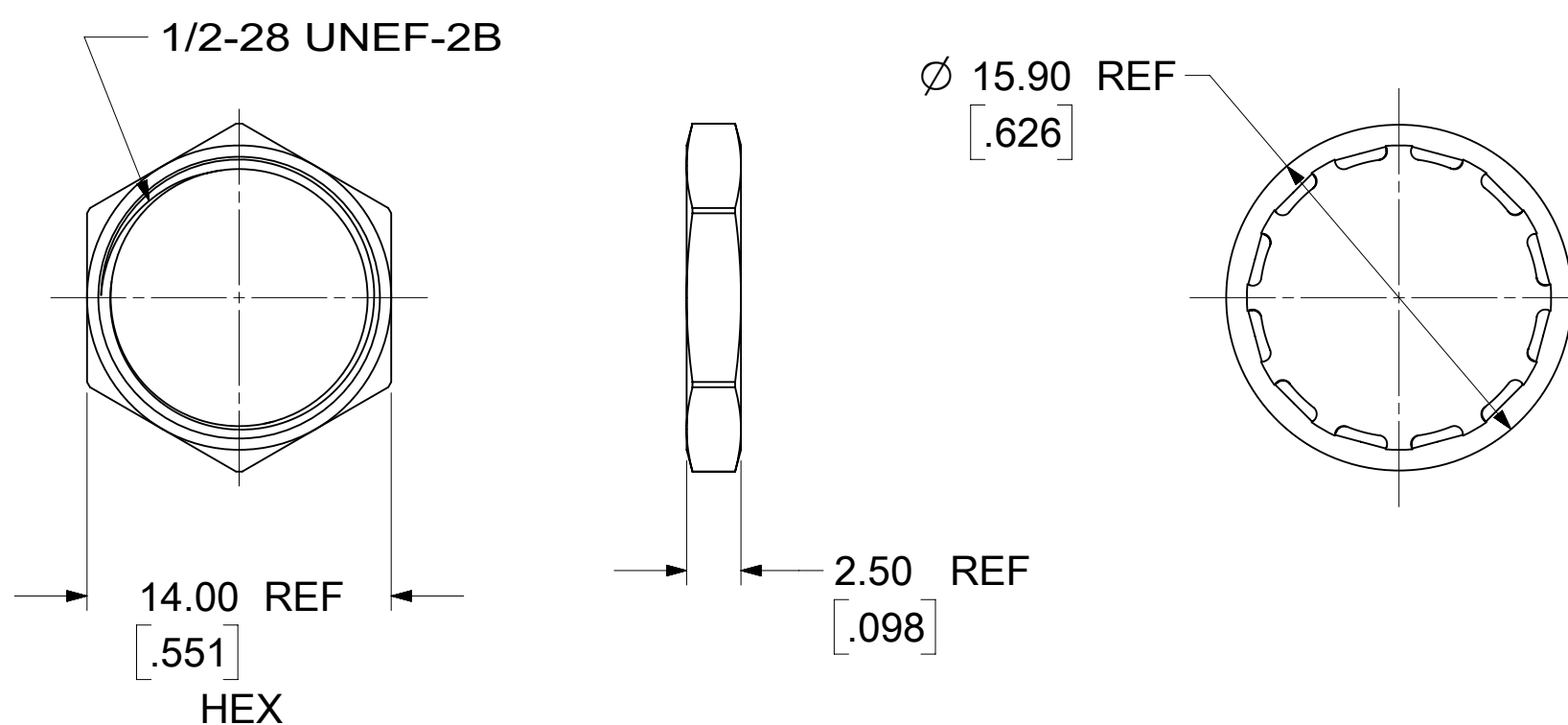
WASHER: PHOSPHOR BRONZE
PLATED NICKEL

JAM NUT: BRASS
PLATED NICKEL

PACKAGING: BY TRAY



RECOMMENDED MOUNTING HOLE
MAXIMUM PANEL THICKNESS: 5.4mm (.213)
RECOMMENDED MOUNTING TORQUE:
1.36 N-M (12 INCH-POUNDS MAX)



PART # 73205-5033

THIS DRAWING CONTAINS INFORMATION THAT IS PROPRIETARY TO MOLEX ELECTRONIC TECHNOLOGIES, LLC AND SHOULD NOT BE USED WITHOUT WRITTEN PERMISSION											
FUNCTIONAL SYMBOLS		DIMENSION UNITS		SCALE		CURRENT REV DESC:					
FA = 0		MM/INCH		NTS		EWR # 14939-A CHG LOGO POSITION TO TOP SURFACE FROM SIDE SURFACE					
EC = 0		GENERAL TOLERANCES (UNLESS SPECIFIED)						EC NO: 692635			
EP = 0		ANGULAR TOL ± 2.0°						4 PLACES ±		2022/01/11	
DIVISIONAL SYMBOLS		3 PLACES ±		2 PLACES ±		1 PLACE ±		0 PLACES ±		INITIAL REVISION:	
		DRWN: JSU18		2022/01/20		CHK'D: YCHENG		2022/01/20		APPR: YCHENG	
		DRWN: JWIENER		2008/09/24		APPR: JWIENER		2008/09/24		DOCUMENT NUMBER	
		DRAFT WHERE APPLICABLE MUST REMAIN WITHIN DIMENSIONS		THIRD ANGLE PROJECTION		DRAWING		SERIES		MATERIAL NUMBER	
		C-SIZE		73205		GENERAL MARKET		CUSTOMER		SHEET NUMBER	
		SD-73205-5033		PSD		001		A3		1 OF 1	