

Distributor Stocking Part

Fox Part Number: FQ7050BR-7.3728



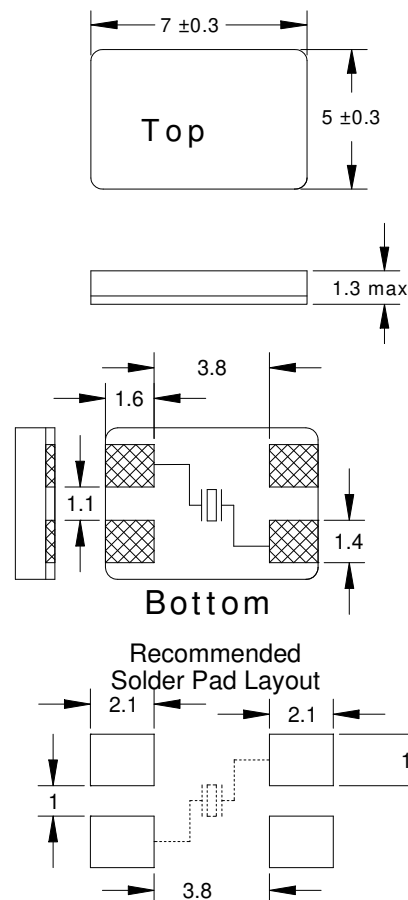
RESIN-SEALED, SMD, CRYSTAL
MODEL: FQ7050B

RoHS / REACH Compliant / Pb Free

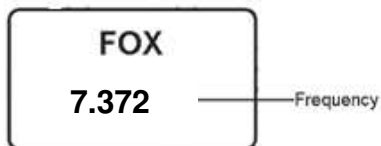
A. Standard Specifications

Parameters	
Frequency	7.3728 MHz
Resonance Mode	Fundamental
Frequency Tolerance @ 25°C	±30 PPM Max
Frequency Stability, ref @ 25°C Over Operating Temp. Range	±30 PPM Max
Temperature Range	
Operating (T _{OPR})	-40°C ~ +85°C
Storage (T _{STG})	-40°C ~ +85°C
Equivalent Series Resistance (ESR)	80 Ohms Max
Shunt Capacitance (C _O)	7 pF Max
Load Capacitance (C _L)	20 pF
Drive Level	0.5 mW Max
Aging per year	±5 PPM Max
Maximum Soldering Temp / Time	260°C / 10 Seconds
Moisture Sensitivity Level (MSL)	1
Termination Finish:	Au
Weight (TYP)	72.8 mg

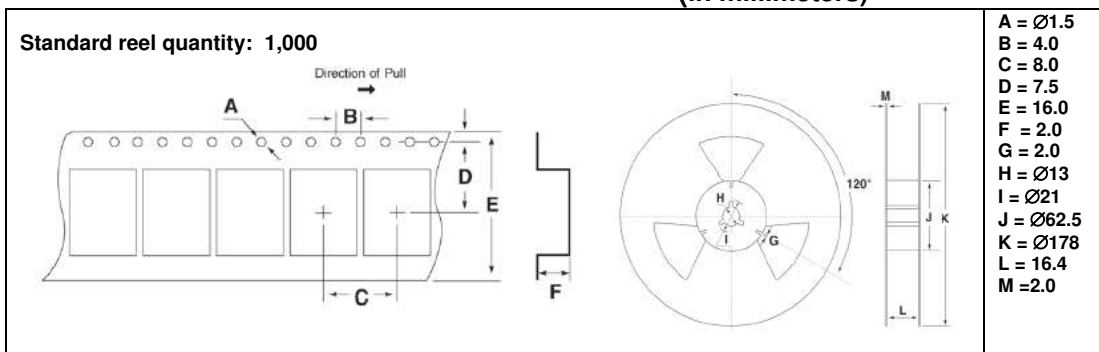
B. Mechanical / Dimensions (millimeters):



FQ Series Marking Identification



C. Tape & Reel Specifications (in millimeters)



NOTE: The above specifications, having been carefully prepared and checked, is believed to be accurate at the time of publication; however, no responsibility is assumed by Fox Electronics for inaccuracies.

Reference / Comments	Title / Description: Product Specifications		
Initial release	Drawing Number: DOC101003	Rev: 1	Size: A
	Part Number: FQ7050BR-7.3728		Cage: 61429
	Draftsperson: AR	Approved: GB	Date: 05-20-2014