

PERFORMANCE SPECIFICATIONS:

DESCRIPTION	SYM	MIN	TYP	MAX	UNITS
INPUT VOLTAGE	V _{IN}	10.0	12.0	16.0	V DC
INPUT CURRENT	I _{IN}	---	230	---	MA DC
OUTPUT VOLTAGE	V _L	900	1000	---	V RMS
OUTPUT CURRENT	I _L	4.0	5.0	6.0	MA RMS
OSC. FREQUENCY	F _o	45.0	55.0	65.0	K HZ
PWM FREQUENCY	F _{PW}	435	455	475	HZ

TESTED WITH 1 EACH 3MM X 164MM LAMP, AT 25°C,
V_{IN} = 12.0V ± 0.1V.

OPERATING CHARACTERISTICS:

INPUT VOLTAGE RANGE: 8.0 Vdc To 16.0 Vdc
 NOMINAL INPUT POWER: 5.0 WATTS
 OUTPUT DIMMING RANGE (R MODE): 33% TO 100%
 OUTPUT DIMMING RANGE (V MODE): N/A
 OPERATING TEMPERATURE RANGE: 0°C TO 60°C
 STORAGE TEMPERATURE RANGE: -20°C TO 70°C

CONTROL FUNCTIONS:

CNT (INPUT PIN 3) IS USED AS AN INHIBIT FUNCTION, "GND" EQUALS ON. "+V" OR "OPEN" EQUALS OFF.

R MODE DIMMING: V_{R1} AND V_{R2} (INPUT PINS 4 AND 5) ARE USED TO PROVIDE, THE DIMMING FUNCTION, "0" OHMS EQUALS 100% LIGHT OUTPUT, "10K" OHMS EQUALS 33% LIGHT OUTPUT.

NOTE: THE SWITCH AND POTENTIOMETER SHOWN ON THE WIRING DIAGRAM ARE NOT A PART OF THE BXA-12594-5M INVERTER. THESE PARTS ARE AVAILABLE FROM MOST ELECTRONIC PARTS DISTRIBUTORS.

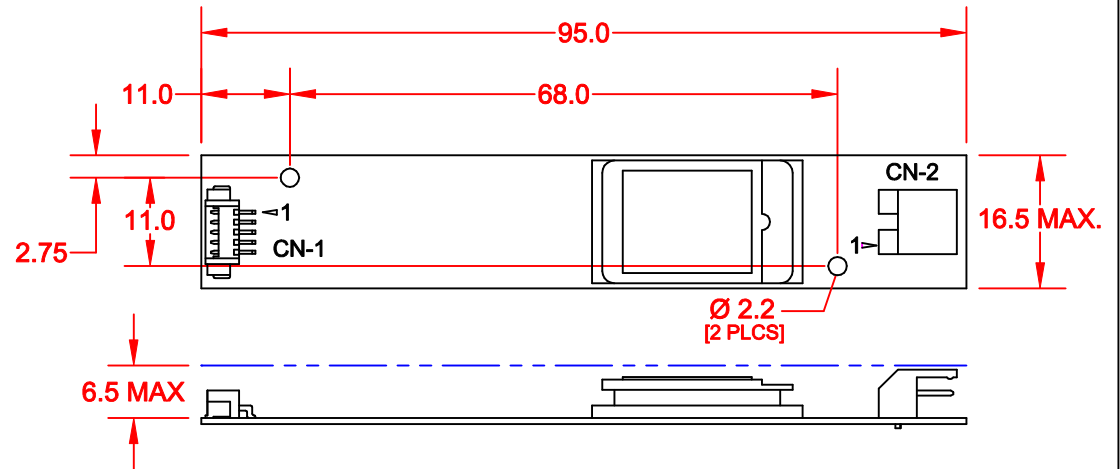
MATING CONNECTORS:

REF.	DESCRIPTION	PART NUMBER	MFG.
CN-1	HOUSING TERMINAL	51021-0500	MOLEX
CN-1	INPUT HARNESS	BXC-10549	JKL
CN-2	HOUSING TERMINAL	IL-G-4S-S3C2	JAE
CN-2	OUTPUT HARNESS	L-G-C2-SC-10000	JKL

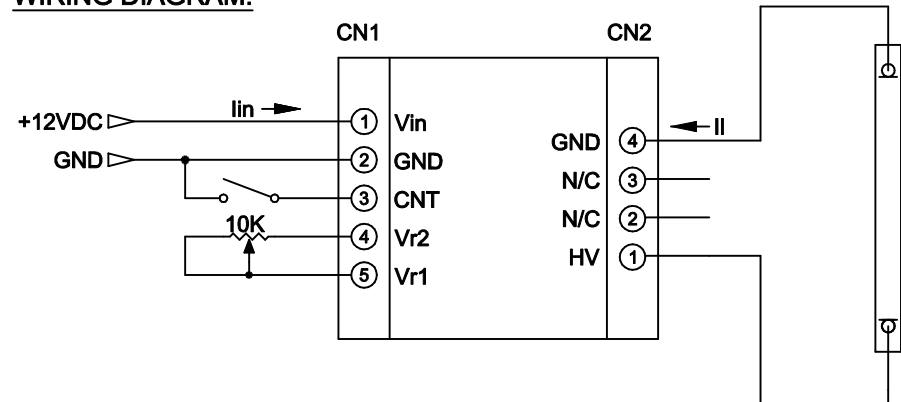
ABSOLUTE MAXIMUM RATINGS:

MAXIMUM INPUT VOLTAGE: 16.0 Vdc
 MAXIMUM RELATIVE HUMIDITY: 90%

REV.	DESCRIPTION/ECO NO.	DATE
	ENGR. RELEASE TO CAD	7/2/04



WIRING DIAGRAM:



<p>METRIC THIRD ANGLE PROJECTION</p>	DIMENSIONS ARE IN MILLIMETERS TOLERANCE UNLESS OTHERWISE SPECIFIED 1 PL +/- REF. 2 PL +/- ANGLE +/- 0	<h1>JKL COMPONENTS CORPORATION</h1>				
	TITLE 12V DC INPUT, SINGLE OUTPUT, DIMMING CCFL INVERTER					
DRAWN BY L. WENGSTROM	APPVD BY J.K.	DATE 7/2/04	SIZE A	FSCM NO. 55335	DRAWING NO. BXA-12594-5M	
- CAD DRAWING - MANUAL REVISIONS NOT PERMITTED			SCALE NONE	RELEASED DATE 7/2/04	REVISION DATE REV. NO.	SHEET 1 OF 1