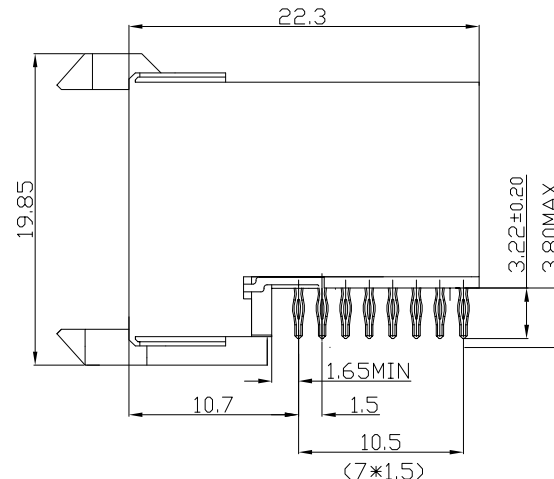
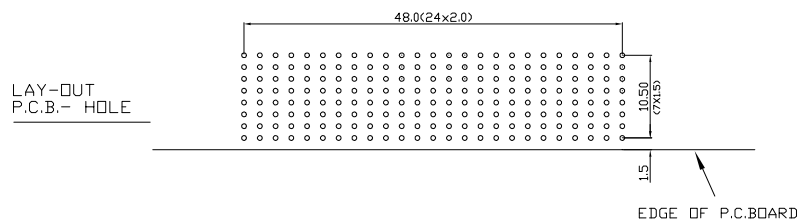
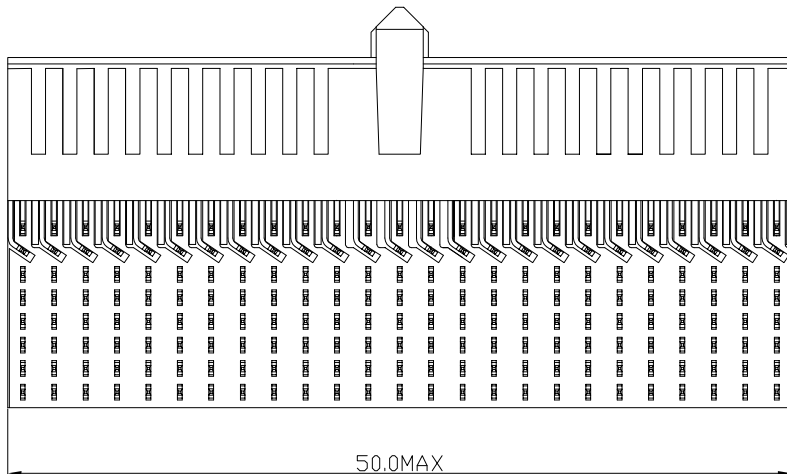
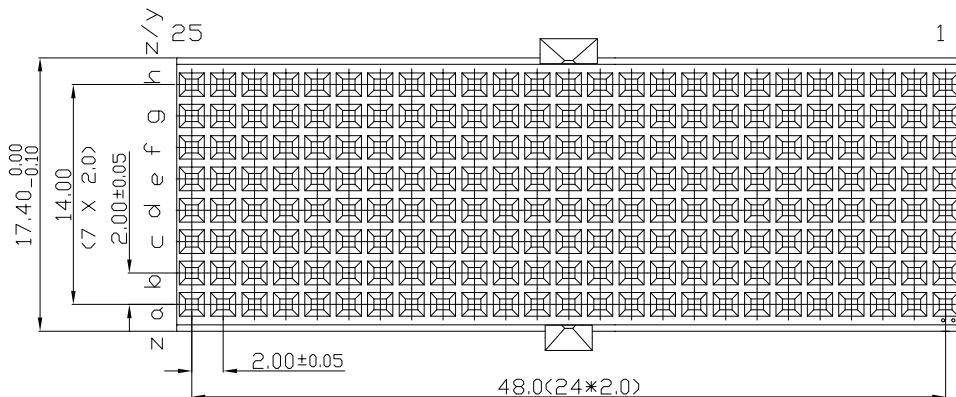


Tous droits strictement reserves. Reproduction ou communication a des tiers interdite sous quelque forme que ce soit sans autorisation ecrite du proprietaire. Propriete de c FCI. Droits de reproduction FCI.



All rights strictly reserved. Reproduction or issue to third parties in any form whatever is not permitted without written authority from the proprietor. Property of FCI. Copyright FCI.



PERFORMANCE CHARACTERISTICS

CURRENT RATING 1.5A AT 20°C (FULLY LOADED)  
 1 A AT 70°C (FULLY LOADED)  
 RATED VOLTAGE : 500 V AC (CONT /CONT)  
 OPERATING TEMPERATURE : -55°C TO 125°C  
 CONTACT RESISTANCE 20 mΩ MAX  
 INSERTION FORCE : 0.75N MAX/CONT  
 EXTRACTION FORCE : 0.15N MIN/CONT  
 INSULATION RESISTANCE : 10<sup>4</sup> MΩ MIN

NOTES  
 1.HM2R95PA8100g 4 LEAD FREE INDICATOR - LF=LEAD FREE/DIGIT 15K60  
 PLATING CODE/DIGIT 13K140

Plating code	Plating	Performance Level
AA	0.25µm Au	IEC performance level 2(25µmating cycles)*TELCORDIA (C)
AB	0.25µm Au	TELCORDIA UE

- THIS PRODUCT IS CSA APPROVED. THIS PRODUCT IS UL RECOGNIZED.
- FOR RECOMMENDED PTH DIMENSIONS REFER DRAWING : BSA201572.001
- THIS PRODUCT (LF) MEETS EUROPEAN UNION DIRECTIVES AND OTHER COUNTRY REGULATIONS AS DESCRIBED IN GS-22-008

rev	ecn no	dr	date
A	DG09-0243	NZ	Jul-20-2009
B	DG10-0093	NZ	Mar-08-2010

www.fciconnect.com		tolerance 1DEC +0.2 1DEC 2DEC +0.1 2DEC ANGLES #1° HDEKEN	projection 	MM 
Dr	Nickor Zuo	Jul-20-09	Product family	MILLIPICS
Eng	Nickor Zuo	Jul-20-09	Spec ref	
Chr	PeiMing Zheng	Jul-20-09	Material	
Appr	Joseph Hsia	Jul-20-09		
title MPACS 8+2R RA RCP CONN TYPE DE/UPPER SHIELDED			size A4	Scale SCALE
catalog no HM2R95PA8100----			dwg no BSC201418059	Rev. B
Customer			sheet 1 of 1	