

THIS DRAWING IS UNPUBLISHED.

RELEASED FOR PUBLICATION

LOC

DIST

REVISIONS

© COPYRIGHT - By -

ALL RIGHTS RESERVED.

GP

00

P

LTR

DESCRIPTION

DATE

DWN

APVD

D

REVISED PER ECO-17-012925

20FEB2018

AP

DG

1 FOR LOCAL DATA REFER TO YOUR LOCAL TE CONNECTIVITY SALES OFFICE.

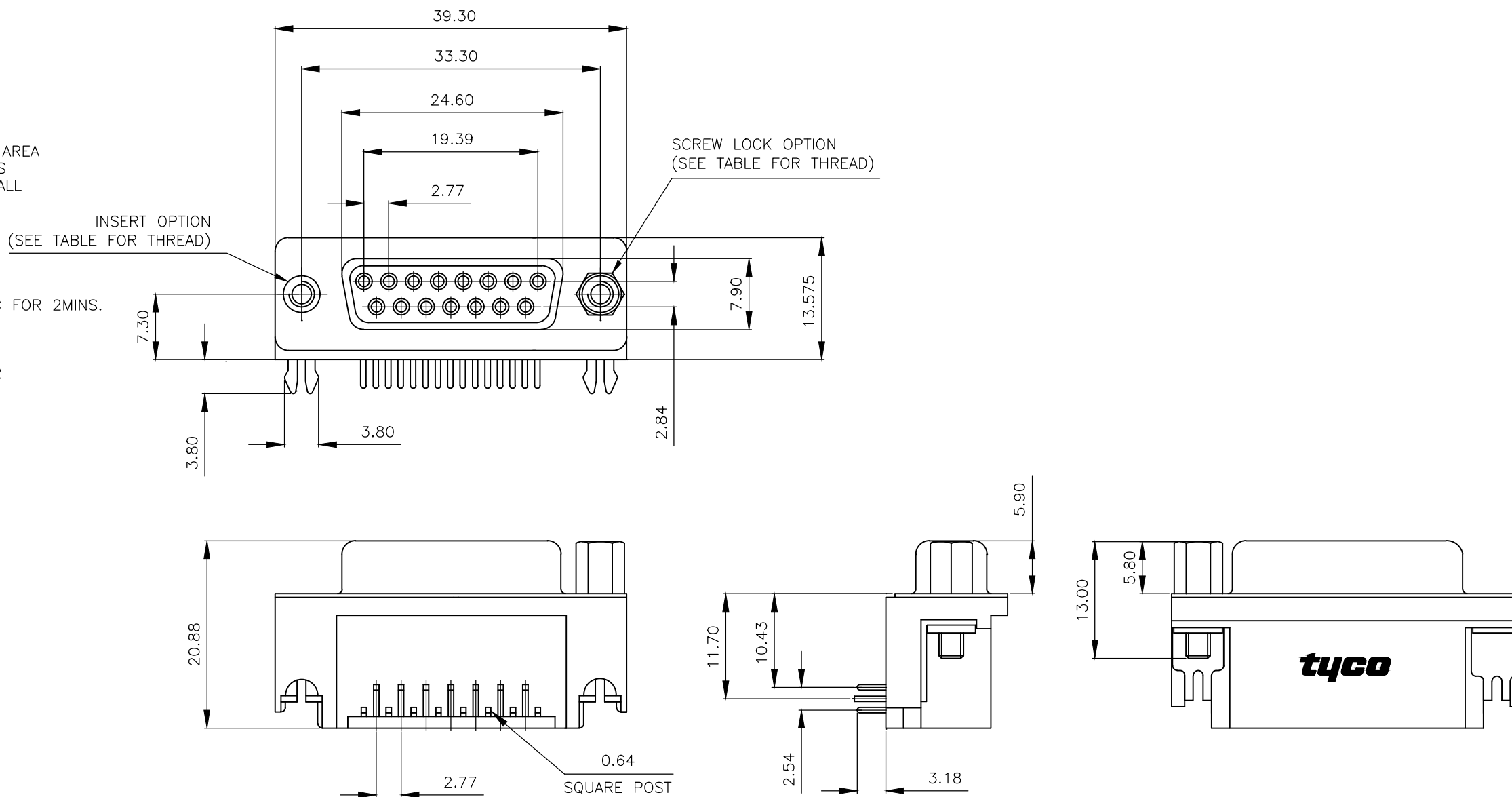
2 ALL DIMENSIONS ARE NOMINAL FOR REFERENCE ONLY UNLESS OTHERWISE STATED.

3 MATERIAL : HOUSING : THERMOPLASTIC, UL94V-0 BLACK COLOR CONTACTS : PHOSPHOR BRONZE SHELL : STEEL BOARDLOCK : BRASS SCREW : BRASS

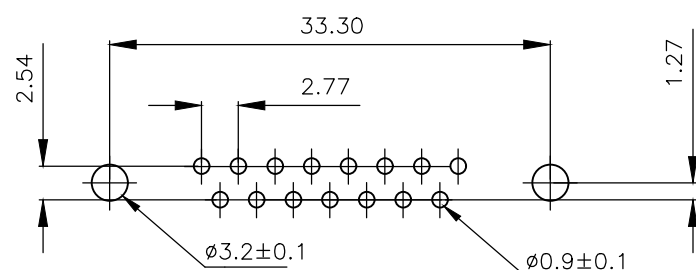
4 FINISH : CONTACT : 0.38µm MIN.GOLD PLATED ON CONTACT AREA 2.54µm MIN. TIN PLATED ON SOLDER TAILS 1.27µm MIN. NICKEL UNDERPLATED OVERALL SHELL : 2.54 µm MIN NICKEL PLATED. BOARD LOCK : 1.52µm MIN. TIN PLATED SCREW : 1.27µm MIN. NICKEL PLATED.

5 CHARACTERISTICS CURRENT RATING : 5A INSULATION RESISTANCE : 1000MOHMS MIN, 500VDC FOR 2MINS. TEMPERATURE RATING : -55DEGC ~ +105DEGC VOLTAGE RATING : 250VDC

6 OBSOLETE PARTS: OBSOLETE CIS STREAMLINING PER D.RENAUD/D.SINISI.



P.C.B. LAYOUT



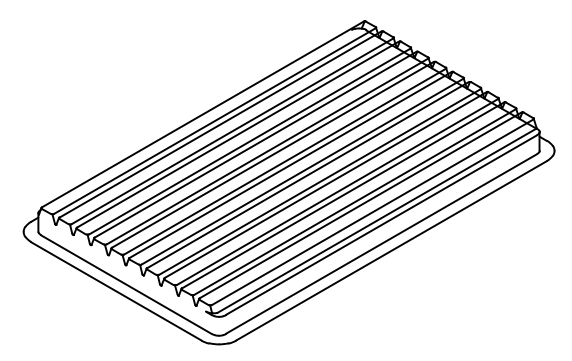
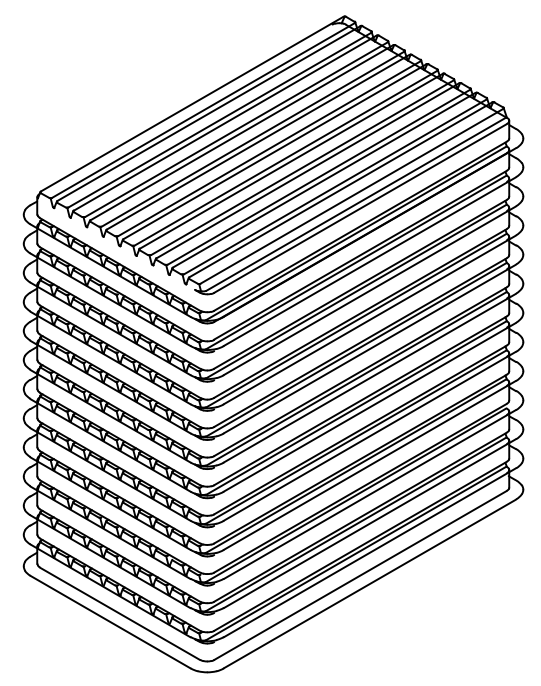
OBSOLETE	15 WAY D SOCKET WITH BOARD LOCKS & 2 x M3 SCREW LOCKS, 0.38µm GOLD, RIGHT ANGLE	4-1634585-2
SUPERSEDED BY 2301845-2	15 WAY D SOCKET WITH BOARD LOCKS & 2 x 4-40 SCREW LOCKS, 0.38µm GOLD, RIGHT ANGLE	3-1634585-2
6 OBSOLETE	15 WAY D SOCKET WITH BOARD LOCKS & 2 x M3 INSERTS, 0.38µm GOLD, RIGHT ANGLE	2-1634585-2
SUPERSEDED BY 2301845-1	15 WAY D SOCKET WITH BOARD LOCKS & 2 x 4-40 INSERTS, 0.38µm GOLD, RIGHT ANGLE	1-1634585-2
	DESCRIPTION	PART No.

THIS DRAWING IS A CONTROLLED DOCUMENT.		DWN	J.SANDWELL	15SEP2003	STE TE Connectivity		
DIMENSIONS: mm		CHK	S.EBBUTT	15SEP2003			
TOLERANCES UNLESS OTHERWISE SPECIFIED:		APVD	F.WHEELER-KING	15SEP2003	NAME		
0 PLC ± -		PRODUCT SPEC			15 WAY D-SUB SOCKET WITH BOARD LOCK		
1 PLC ± -		APPLICATION SPEC			-		
2 PLC ± -		SIZE	A3	CAGE CODE	00779	DRAWING NO	C-1634585
3 PLC ± -		RESTRICTED TO			-		
4 PLC ± -		WEIGHT			-		
ANGLES ± -		CUSTOMER DRAWING					
FINISH -		SCALE		NTS	SHEET		1 OF 2
		REV		E			

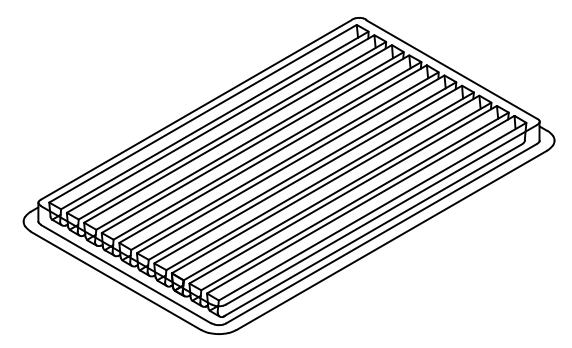
THIS DRAWING IS UNPUBLISHED. RELEASED FOR PUBLICATION
 © COPYRIGHT - By - ALL RIGHTS RESERVED.

LOC	DIST	REVISIONS			
P	LTR	DESCRIPTION	DATE	DWN	APVD
GP	00	-	SEE SHEET 1	-	-

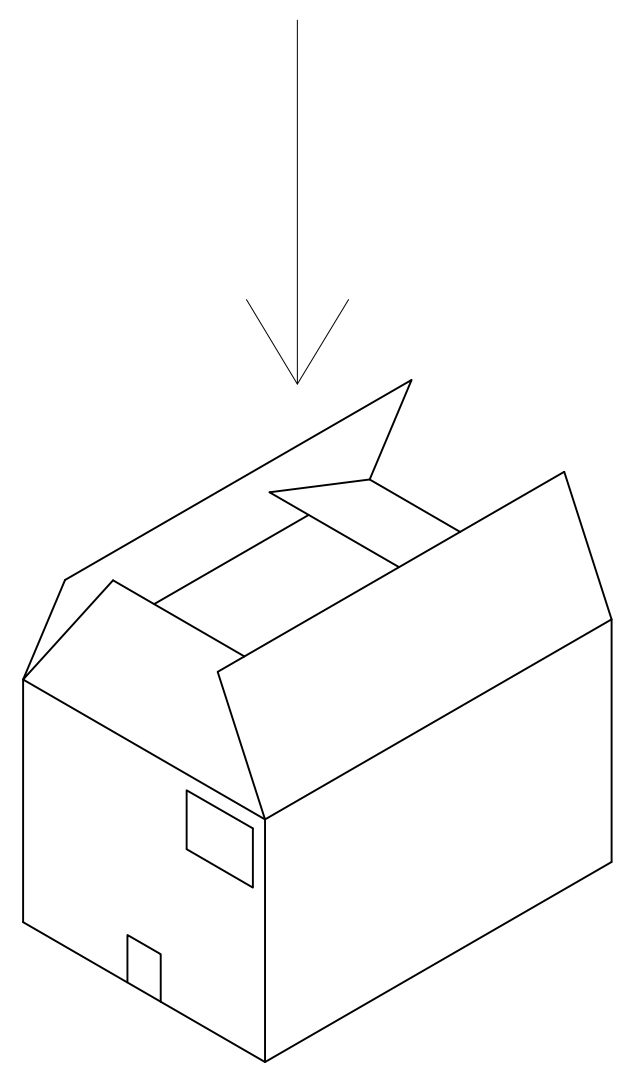
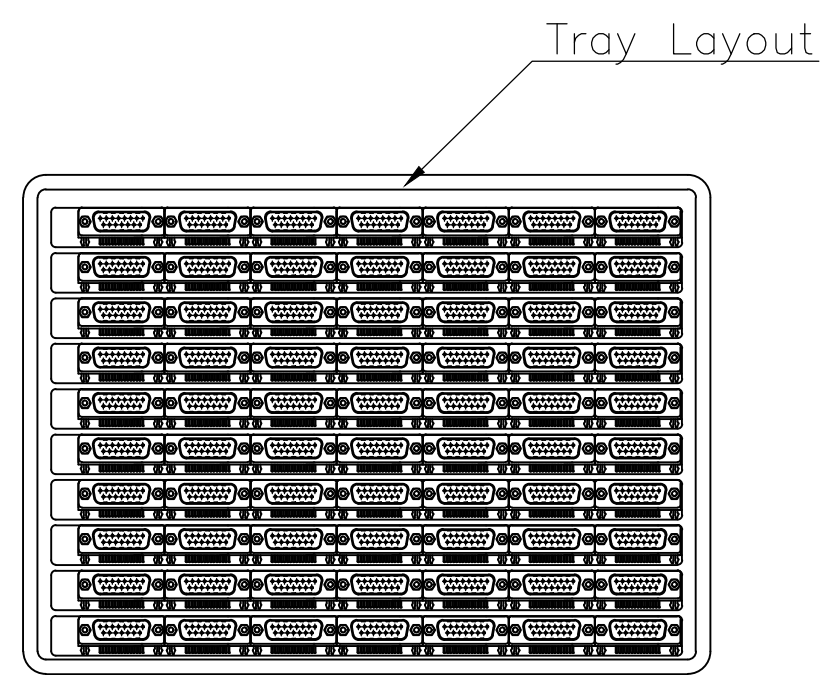
- 1 DIMENSION:
 TRAY:L=310,W=220,H=23
 SHIPPING BOX:L=335,W=230,H=320
- 2 QUANTITY:
 70 PCS/TRAY
 13 TRAY/SHIPPING BOX



COVER



TRAY



THIS DRAWING IS A CONTROLLED DOCUMENT.		DWN J.SANDWELL 15SEP2003	TE Connectivity		
DIMENSIONS: mm 		CHK S.EBBUTT 15SEP2003			
TOLERANCES UNLESS OTHERWISE SPECIFIED: 0 PLC ± - 1 PLC ± - 2 PLC ± - 3 PLC ± - 4 PLC ± - ANGLES ± -		APVD F.WHEELER-KING 15SEP2003	NAME 15 WAY D-SUB SOCKET WITH BOARD LOCK		
MATERIAL -		FINISH -	PRODUCT SPEC -	APPLICATION SPEC -	RESTRICTED TO -
WEIGHT -			SIZE A3	CAGE CODE 00779	DRAWING NO C-1634585
CUSTOMER DRAWING			SCALE NTS	SHEET 2 OF 2	REV E