



## Part Number: DMI2652

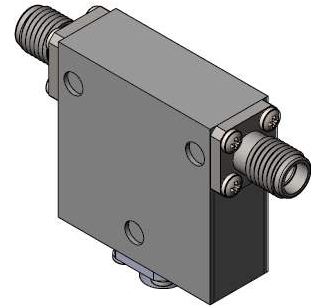
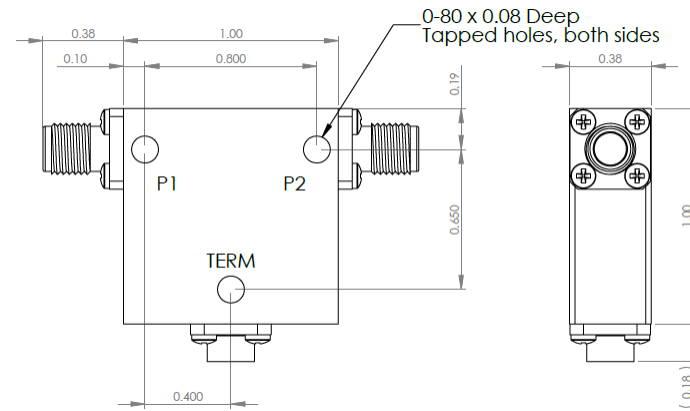
### Electrical Specifications

Frequency Range (GHz):	2.6 – 5.2
Isolation (dB):	15 MIN
Insertion Loss (dB):	1.0 MAX
VSWR:	1.5:1 MIN
Forward Power (W):	20 AVG 30 PK
Reflective Power (W):	2 AVG

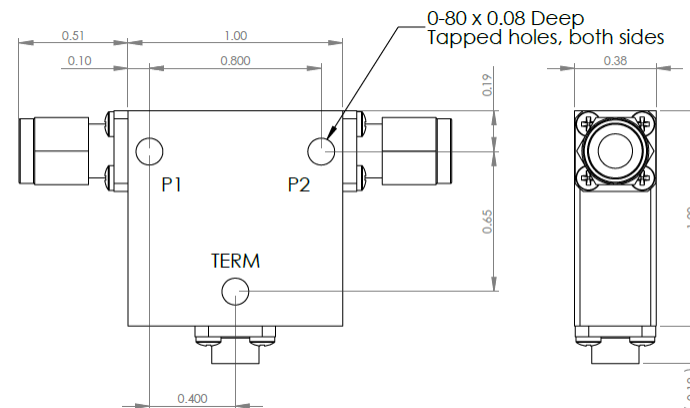
### Mechanical/Environmental Specifications

Connector Type:	SMA
Connector Body:	Passivated stainless steel
Connector Pin:	Gold plated copper
Load Body:	Brass
Magnetic Shunt:	Nickel plated CRS
Operational Temp:	-30°C to +70°C
Weight (oz)	1.0 MAX

### DMI2652 Dimensions



### DMI2652-3 Dimensions



Dimensions are in inches  
Tolerance

XX ±0.03  
XXX ±0.010

Type of Device	PN Suffix	Connector Configuration Input / Output	PN Example
Single and Dual Junction Isolator, 2-Port Device Input / Output	N/A	Female / Female	D3I2652
	-1	Male / Female	D3I2652-1
	-2	Female / Male	D3I2652-2
	-3	Male / Male	D3I2652-3



# MEASURED DATA

Part Number: DMI2652, +25°C

