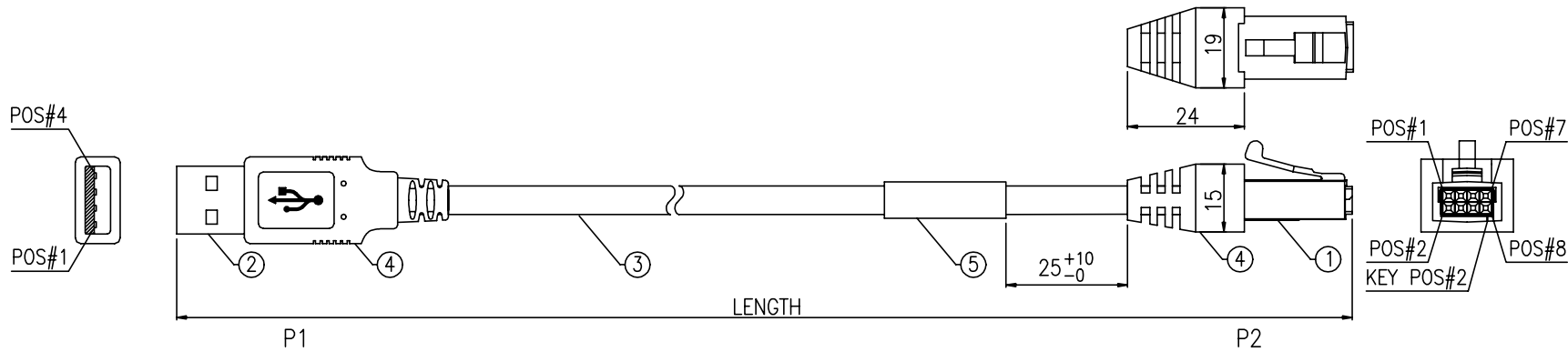


1				2		3		4	
FCI PART NO.	P/N	EC NO.	LENGTH	REV	ECN NO	DESCRIPTION			
10109832-Z0400YYLF	73Y1189	N21913	4000+50/-0	D	ELX-N-22283-1	CHANGE THE LABEL PRINT			
10109832-Z0200YYLF	73Y1108	N21913	2000+50/-0						



PIN ASSIGNMENT				
P1	SIGNAL NAME	WIRE COLOR	WIRE AWG	P2
1	+5V	RED	20	3
2	-DATA	WHITE	28 *	6
3	+DATA	GREEN	28 *	4
4	GROUND	BLACK	20	5
SHELL	FRAME GND	BRAID		SHELL

*TWISTED PAIR

1	EA	ADHESIVE LABEL	5
A/R	KG	OVERMOLD PVC, 94V-0, PEBBLE GRAY (IBM CODE 43-4216)	4
A/R	M	USB 2.0 CABLE: UL(CM) CSA(CMG), 28AWG*1P+20AWG*2C+AL/MYLAR+DRAIN+BRAID, PEBBLE GRAY (IBM 43-4216)	3
1	EA	USB A TYPE PLUG. CONTACT PLATING: 30u" Au 50u" Ni Min.	2
1	SET	2x4 LATCH-N-LOK 360° SHIELDED PLUG CONNECTOR KIT <24V> KEY POSITION 2, COLOR:GRAY, FCI P/N:98028-7092LF	1
Q'TY	UNIT	DESCRIPTION	ITEM

spec ref	See Notes			dr	Carl Wang	2015-10-08	projection	MM	size	A3	scale	N/A
tolerance std	TOLERANCES UNLESS OTHERWISE SPECIFIED			eng	Carl Wang	2015-10-08			ecn no			
surface	linear	0.X	±	chr	Guo-Feng Jin	2015-10-08			rel level			
		0.XX	±	appr	Guo-Feng Jin	2015-10-08						
	angular	0°	±°				product family					
						title USB A TYPE TO 2x4 LATCH-N-LOK CABLE ASSEMBLY		dwg no 10109832		rev D		
				www.fci.com		cat. no.		Product - Customer Drw		sheet 1 of 2		

FCI PART NO.

SEE SHEET 1

NOTES:

1. 2x4 LATCH-N-LOK MATES WITH FCI PART NUMBER: 74355-XY2LF OR 87316-XY2LF.

2. UNLESS OTHERWISE SPECIFIED ASSEMBLED LENGTH TOLERANCE:
=< 1 METER= ±15.0mm
> 1 METER TO 10 METER= ±2% OF L1 OR L2
> 10 METER= +0%/-4% OF L1 OR L2

3. PART NUMBER SCHEME FOR CABLE ASSEMBLY:

10109832 - Z X X X X Y Y LF

LF: LEAD FREE
NOT APPLICABLE TO THIS ASSEMBLY
NOT APPLICABLE TO THIS ASSEMBLY
LENGTH (METERS & CENTIMETERS)
0400: 4 METERS 00 CENTIMETERS
0200: 2 METERS 00 CENTIMETERS
WIRE GAGE
Z: MULTIPLE WIRE GAGE

4. UNLESS OTHERWISE SPECIFIED LABEL POSITION SHALL BE APPROXIMATELY 60mm FROM REAR OF CONNECTOR.

5. LABEL SHOULD BE PRINTED WITH BLACK TEXT AS SHOW BELOW:

P/N: 73Y11XX
EC NO: N21913
FCI
MADE IN CHINA
WWYY

--- P/N
--- EC NUMBER
--- SUPPLIER NAME
--- COUNTRY OF ORIGIN
--- DATE CODE WWYY FORMAT



7. UNLESS OTHERWISE SPECIFIED ALL CABLE ASSEMBLIES SHALL BE 100% HI-POT TESTED: DC 300V/10ms

8. OTHER ELECTRICAL SPECIFICATIONS:
DIELECTRIC RESISTANCE: 50M Ohms MIN.
CONNECTION RESISTANCE: 1.8 Ohms MAX. (For -Z0400YYLF, 4MR LENGTH)
CONNECTION RESISTANCE: 1.2 Ohms MAX. (For -Z0200YYLF, 2MR LENGTH)

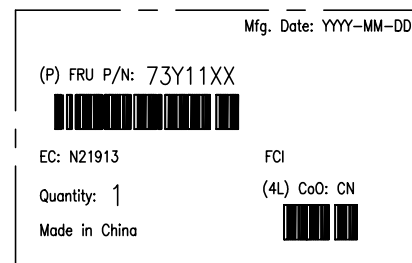
9. THIS DIMENSION IS A FINISHED PRODUCT LENGTH.

10. LEAD FREE PRODUCTS MEET EUROPEAN UNION DIRECTIVES AND OTHER COUNTRY REGULATIONS AS DESCRIBED IN GS-22-008.

11. CONNECTOR ASSEMBLIES SHOWN ARE FOR REFERENCE ONLY AND MAY NOT SHOWN ALL PART DETAIL, REFERENCE CONNECTOR ASSEMBLY DRAWINGS FOR COMPLETE DETAILS.

12. CABLE ASSEMBLY MUST WITHSTAND 66.7N (15 LB) PULL FORCE IN ANY DIRECTION WITHOUT DAMAGE WHILE PLUGGED.

13. PACKAGE: EACH CABLE ASSEMBLY IN CLEAR ZIP-LOCK BPLY BAG, LABEL (WHITE BACKGROUND WITH BLACK LETTERS, CONTENT SEE BELOW) TO BE STAMPED ON CLEAR ZIP-LOCK POLY BAG, THEN BULK PACKED IN A BOX.



CODE READ: P73Y11XX

CODE READ: 4LCN

6. ALL CABLE ASSEMBLIES SHALL BE TESTED 100% FOR CONTINUITY AS DEFINED IN WIRING LIST.

Table with columns for spec ref, tolerance std, surface, linear/angular, and various engineering details like dr, eng, chr, appr, projection, size, scale, title, cat. no., and sheet 2 of 2.



Copyright FCI.