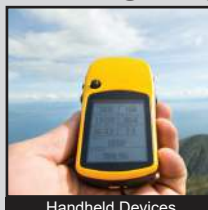


# EG1315 SERIES SLIDE SWITCH

ANTI-VANDAL SWITCHES  
 DETECTOR SWITCHES  
 DIP SWITCHES  
 KEYLOCK SWITCHES  
 NAVIGATION SWITCHES  
 PUSHBUTTON SWITCHES  
 ROCKER SWITCHES  
 ROTARY SWITCHES  
**SLIDE SWITCHES**  
 SNAP ACTION SWITCHES  
 TACTILE SWITCHES  
 TOGGLE SWITCHES  
 CAP OPTIONS



## APPLICATIONS / MARKETS



Handheld Devices



Wearable Electronics



Internet of Things



Smart Home



Telecommunication



Testing Equipment

**RoHS**

## SPECIFICATIONS

**Contact Rating:** 25mA @ 24VDC  
**Electrical Life:** 10,000 Cycles  
**Contact Resistance:** 70mΩ Max  
**Insulation Resistance:** 1MΩ Min @ 100VDC  
**Dielectric Strength:** 100VAC for 1 Minute  
**Operating Temperature:** -20°C to 70°C  
**Storage Temperature:** -40°C to 85°C  
**Travel:** 1.50mm  
**Contact Arrangement:** SP3T  
**Actuation Force:** POS.2 to POS.1 or POS.3 = 200±150gF  
 POS.3 or POS.1 to POS.2 = 150±100gF

## FEATURES & BENEFITS

- Surface mount PC board design
- 1.50mm travel
- Compact design
- 150-200 gram force
- SP3T function

## PART NUMBER CONFIGURATOR

Series



EG1315

Actuator  
Option



A - 1.30mm

Function  
Option



A - SP3T

Specifications subject to change without notice 7.13.2018



**E-SWITCH®**

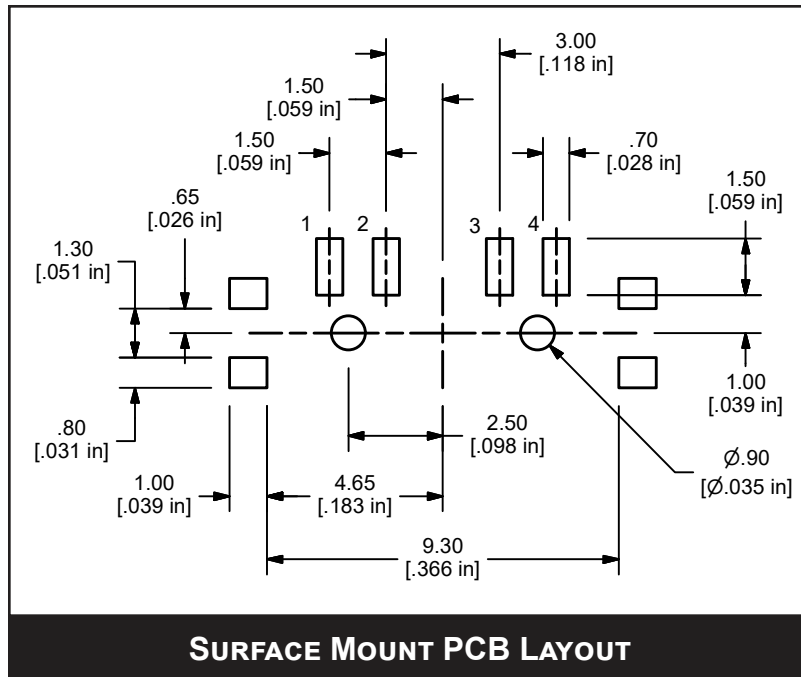
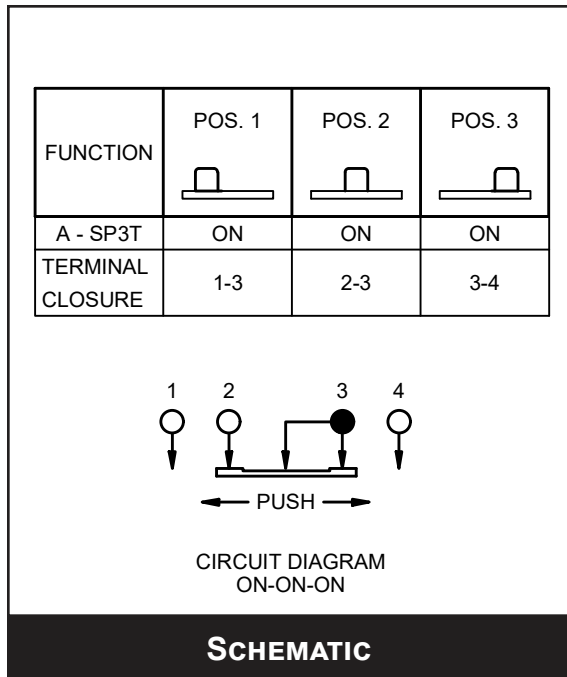
www.e-switch.com

800.867.2717

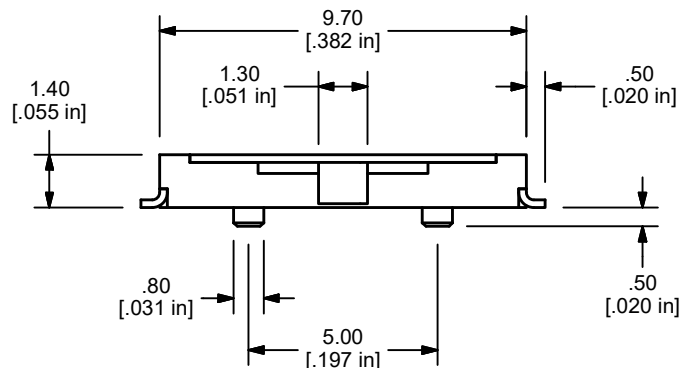
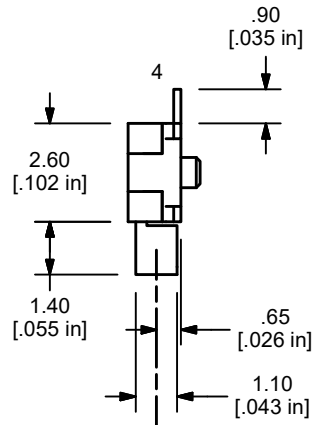
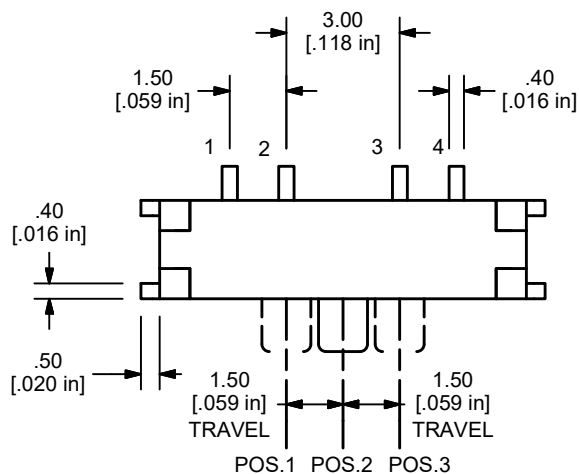
1

# EG1315 SERIES SLIDE SWITCH

## BODY DIMENSIONS



### A - SP3T - FUNCTION OPTION



ANTI-VANDAL SWITCHES  
 DETECTOR SWITCHES  
 DIP SWITCHES  
 KEYLOCK SWITCHES  
 NAVIGATION SWITCHES  
 PUSHBUTTON SWITCHES  
 ROCKER SWITCHES  
 ROTARY SWITCHES  
 SLIDE SWITCHES  
 SNAP ACTION SWITCHES  
 TACTILE SWITCHES  
 TOGGLE SWITCHES  
 CAP OPTIONS