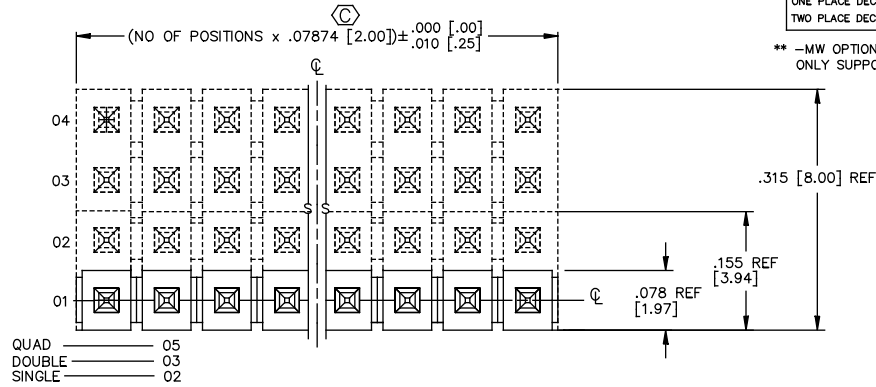


FIG. 1

DIMENSIONS ARE IN INCHES ONE PLACE DECIMALS ±.1[2.5] THREE PLACE DECIMALS ± .005 [.13] TWO PLACE DECIMALS ±.01[.25] FOUR PLACE DECIMALS ±.0020[.05]		UNLESS OTHERWISE NOTED TOLERANCES ARE ANGLES ± 2°	TITLE: 2mm TERMINAL STRIP ASSEMBLY	DWG NO: TMM-1XX-XX-XX-X-XX-XXX SHEET 1 OF 2
---	--	---	--	---



** -MW OPTION, DO NOT DESIGN IN. SAMTEC WILL ONLY SUPPORT EXISTING BUSINESS 2/05/02.

TMM-1XX-XX-XX-X-XX-XXX
NO. OF POSITIONS -01 THRU -50
TERMINAL SPEC SEE TABLE 1

PLATING SPECIFICATION

- G: 20µ" GOLD IN THE CONTACT AREA, 3µ" GOLD ON TAIL
- T: MATTE TIN CONTACT AND TAIL
- S: 30µ" SELECTIVE GOLD IN CONTACT AREA, MATTE TIN ON TAIL
- L: 10µ" GOLD IN THE CONTACT AREA, MATTE TIN ON TAIL
- F: 3µ" FLASH SELECTIVE GOLD IN CONTACT AREA, MATTE TIN ON TAIL
- H: 30µ" HEAVY GOLD IN CONTACT AREA, 3µ" ON TAIL
- SM: 30µ" SELECTIVE GOLD IN CONTACT AREA, MATTE TIN ON TAIL
- TM: MATTE TIN CONTACT AND TAIL
- LM: 10µ" GOLD IN THE CONTACT AREA, MATTE TIN ON TAIL
- FM: 3µ" FLASH SELECTIVE GOLD IN CONTACT AREA, MATTE TIN ON TAIL

OPTION POLARIZATION SPECIFY POS -XXX AS POS TO BE OMITTED

OPTION ** -MW: METAL WASHER (-D & -Q BODY SPECS ONLY) (SEE FIG. 2, SHIT. 2) (30 FOS PER ROW MAX) (SEE TABLE 2 PAGE 2)

-RC: RETAINING CLIP FOR IDC USE LTC-09, DOUBLE ROW ONLY, REQUIRES 4 POSITIONS MINIMUM, NOT FOR USE WITH -MW OPTION, SEE NOTES 9 & 10.

BODY SPECIFICATION

- S: SINGLE (TMM-50-S)
- D: DOUBLE (TMM-50-D)
- Q: QUAD (TMM-50-Q)

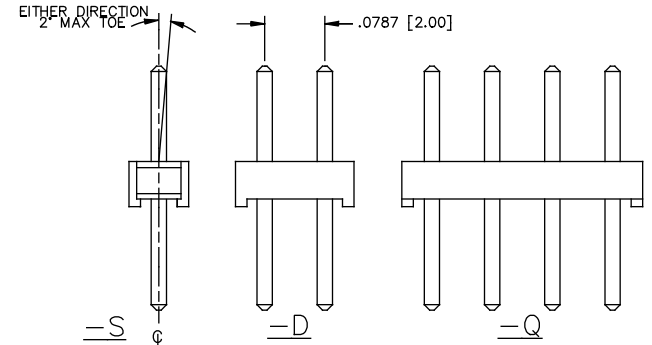
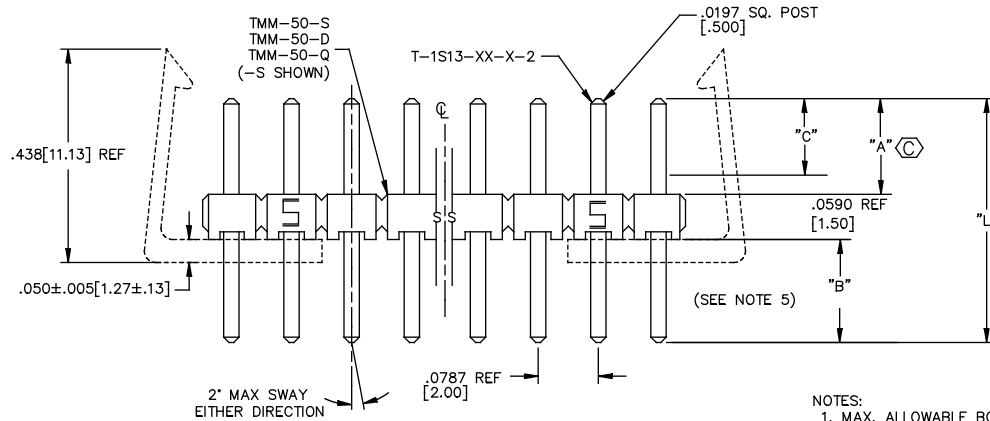


TABLE 1

SUFFIX	TERMINAL	POST "A" IN. [MM]	TAIL "B" IN. [MM]	CONTACT AREA "C" IN. [MM]	STRAIGHT "L" (OVERALL LENGTH)
-01	T-1S13-20-XX-2	.126 [3.20]	.138 [3.50] REF	.100 [2.54] REF	.323 [8.20] REF
-02	T-1S13-20-XX-2	.146 [3.70]	.118 [3.00] REF	.100 [2.54] REF	.323 [8.20] REF
-03	T-1S13-20-XX-2	.158 [4.00]	.106 [2.70] REF	.100 [2.54] REF	.323 [8.20] REF
-04	T-1S13-20-XX-2	.075 [1.90]	.090 ± .010 [2.29 ± .25] (SEE NOTE 5)	.100 [2.54] REF	.323 [8.20] REF "BEFORE SHEAR"
-05	T-1S13-21-XX-2	.065 [1.65]	.090 ± .010 [2.29 ± .25] (SEE NOTE 5)	.080 [2.03] REF	.323 [8.20] REF "BEFORE SHEAR"
-06	T-1S13-02-XX-2	.126 [3.20]	.192 [4.88] REF	.100 [2.54] REF	.377 [9.58] REF

NOTES:

1. MAX. ALLOWABLE BOW: .005 IN/IN [mm/mm] AFTER ASSEMBLY.
2. MAX. PIN ROTATION IN BODY: 2°
3. PUSHOUT FORCE SHALL BE 1 lb MIN.
4. Ⓢ REPRESENTS A CRITICAL DIMENSION.
5. TAIL WILL BE SHEARED ON -04 & -05, REFERENCE TABLE 1.
6. MAX CUT FLASH .010 [.25].
7. MAX SHEAR BURR .003 [.08].
8. ORIENTATE PINS TO PREVENT BANDOLIER MARKS FROM SHOWING IN THE POST AREA. (SEE TABLE 3)
9. APPROVED FOR WAVE SOLDER APPLICATION ONLY.
10. RETAINING CLIP FOR -06 LEAD STYLE ONLY.

PROPRIETARY NOTE
THIS DOCUMENT CONTAINS CONFIDENTIAL AND PROPRIETARY INFORMATION AND ALL RIGHTS ARE RESERVED BY SAMTEC, INC. REPRODUCTION, TRANSMISSION OR ANY MANNER WITHOUT THE EXPRESS WRITTEN CONSENT OF SAMTEC, INC.

MATERIAL:
BODIES:
LIQUID CRYSTAL POLYMER
COLOR: BLACK
TERMINALS:
PHOSPHOR BRONZE, ALLOY

EXISPROD\ASSEMBLY\2MM
TMM-ASM

samtec

520 PARK EAST BLVD. NEW ALBANY, INDIANA 47150
PHONE (812) 944-6733 P.O. BOX 1147
CODE 55322

MADE BY: REIDINGER 11-2-90

TMM-1XX-XX-XX-X-XX-XXX
SHEET 1 OF 2