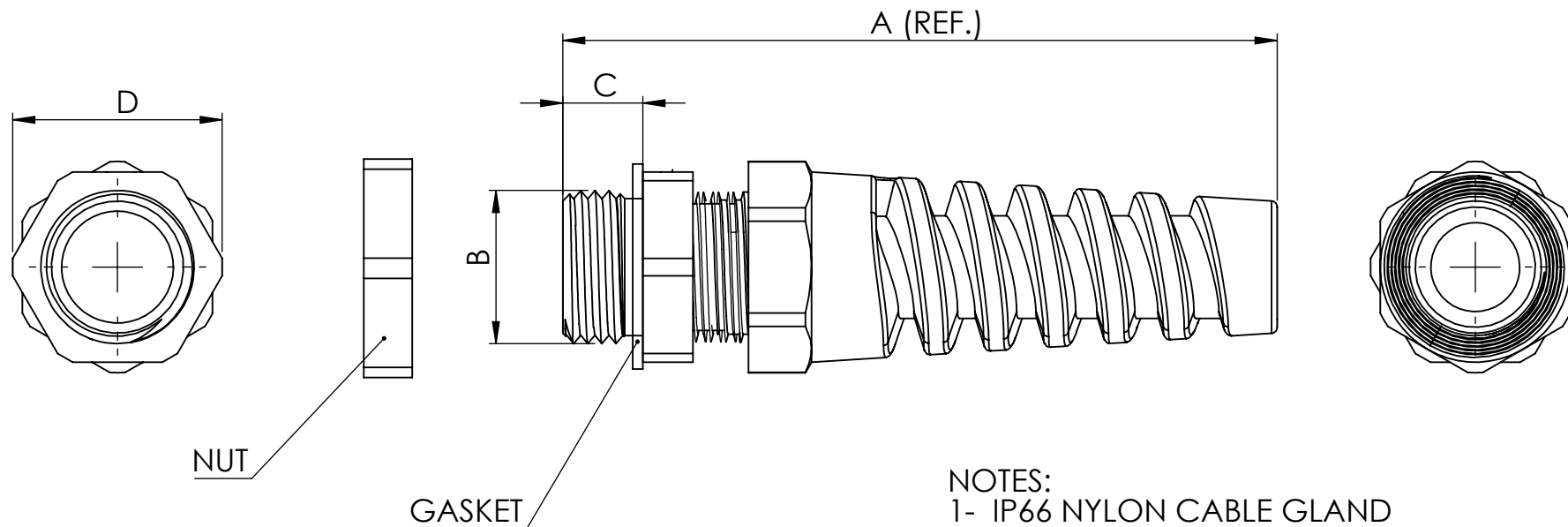


PART
NAMEIPG SERIES - CABLE GLAND
BEND PROOF (SPIRAL EXTENSION) IP66PART
No.IPG-2227-BPG THROUGH
IPG-22221-BPGREV.
DATE

3/24/15



NOTES:

1- IP66 NYLON CABLE GLAND

2- COLOR - LIGHT GRAY

3- DIMENSIONS ARE INCH[MM]

4- GASKET MATERIAL: NITRILE RUBBER

5- TOLERANCE ALL DIMENSIONS = +/- 0.01[.25]

PART NUMBER	SIZE	WIRE DIA.	DIM A	DIM B	DIM C	DIM D
IPG-2227-BPG	PG-7	0.12[3] - 0.24[6]	2.86[72.6]	0.49[12.5]	0.32[8.1]	0.75[19.1]
IPG-2229-BPG	PG-9	0.16[4] - 0.31[7.9]	2.84[72.1]	0.60[15.2]	0.32[8.1]	0.94[23.8]
IPG-22211-BPG	PG-11	0.2[5] - 0.39[9.9]	3.50[88.9]	0.73[18.5]	0.32[8.1]	1.02[25.9]
IPG-222135-BPG	PG-13.5	0.24[6.1] - 0.47[11.9]	3.90[99.1]	0.80[20.3]	0.35[8.9]	1.13[28.7]
IPG-22216-BPG	PG-16	0.39[9.9] - 0.55[14]	4.30[109.2]	0.89[22.6]	0.39[9.9]	1.29[32.8]
IPG-22221-BPG	PG-21	0.51[12.9] - 0.7[18]	4.85[123.2]	1.11[28.2]	0.39[9.9]	1.54[39.1]