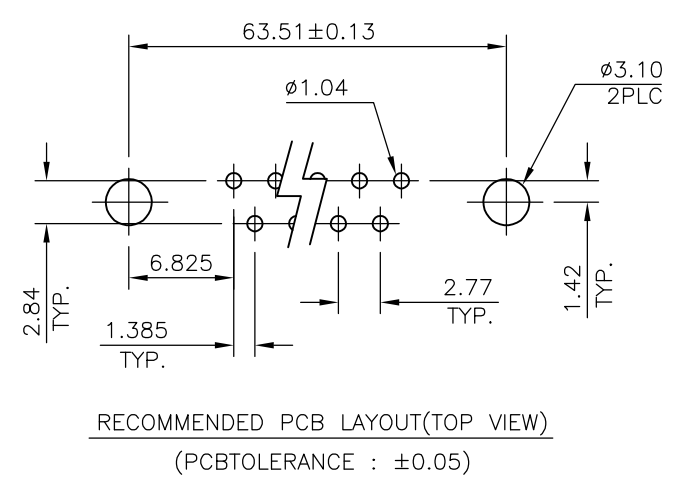
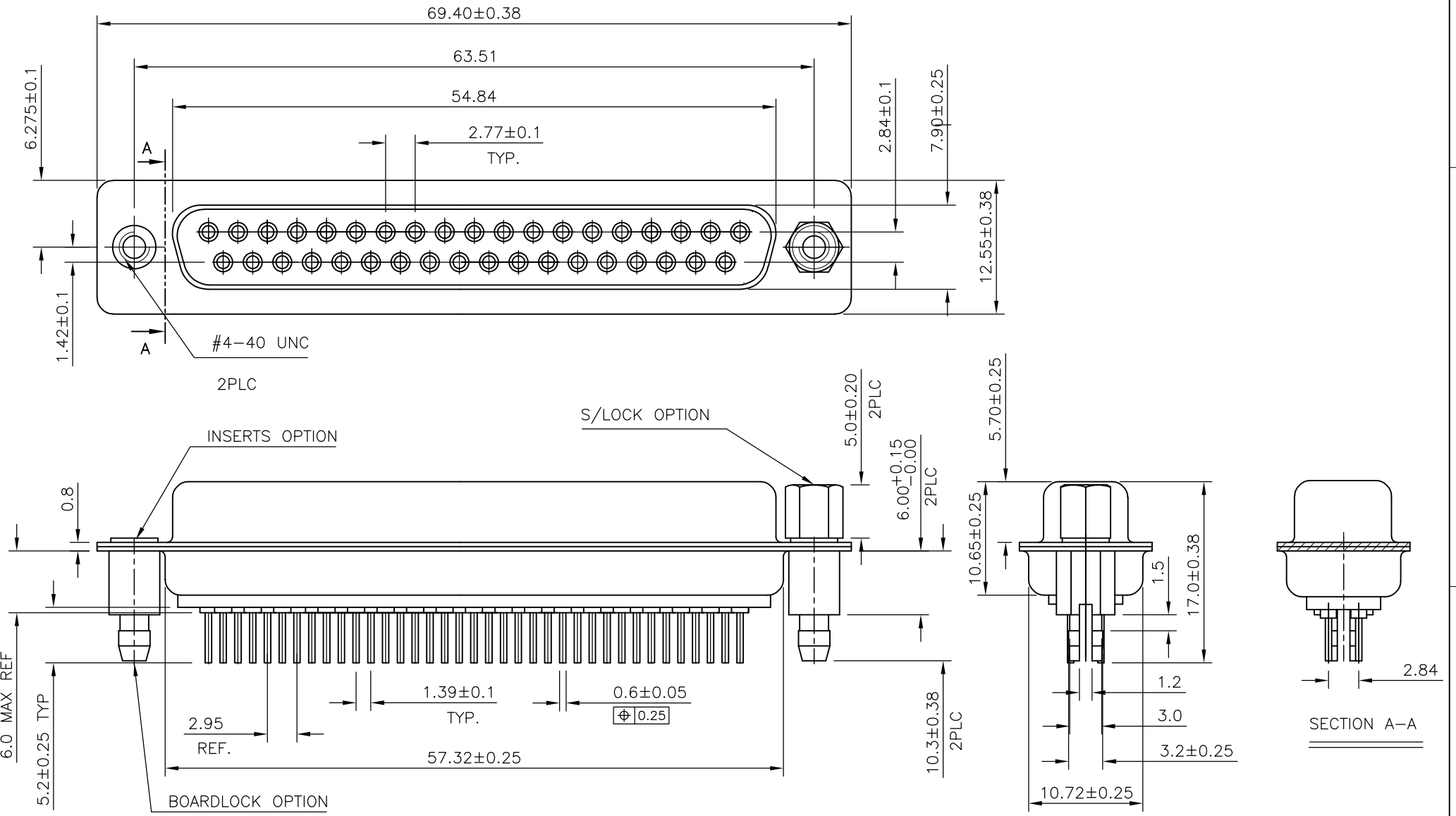


THIS DRAWING IS UNPUBLISHED. RELEASED FOR PUBLICATION APR ,2003.
 © COPYRIGHT 2003 By - ALL RIGHTS RESERVED.

LOC	DIST	REVISIONS					
GP	00	P	LTR	DESCRIPTION	DATE	DWN	APVD
		J		REVISED PER ECO-14-000651	06FEB2014	AP	SB

- 1 MATERIAL
 HOUSING : THERMOPLASTIC, UL94V-0, BLACK
 CONTACTS : PHOSPHOR BRONZE
 SHELL : STEEL
 SCREW : BRASS.
 BOARD LOCK : BRASS.
 SCREW OF TORQUE : 5 Kg-cm MAX.
- 2 FINISH
 CONTACT : 15μ" MIN.GOLD PLATING ON CONTACT AREA
 100μ" MIN. TIN PLATING ON SOLDER TAILS
 50μ" MIN. NICKEL UNDERPLATED OVERALL
 SHELL : 100μ" MIN NICKEL PLATING
 SCREW : 50μ" MIN. NICKEL PLATING.
 BOARD LOCK : 50μ" MIN. NICKEL PLATING.
- 3 CHARACTERISTICS
 CURRENT RATING : 3A
 INSULATION RESISTANCE : 1000MOHMS MIN, 500VDC FOR 2MINS.
 TEMPERATURE RATING : -55DEGC ~ +105DEGC
 VOLTAGE RATING : 250VDC

4 OBSOLETE PARTS: OBSOLETE CIS STREAMLINING PER D.RENAUD/D.SINISI.



4 OBSOLETE	37W D SKT WITH B/L & M3 S/LOCK 15μ" GOLD	4-1634225-2
	37W D SKT WITH B/L & 4-40 S/LOCK 15μ" GOLD	3-1634225-2
4 OBSOLETE	37W D SKT WITH B/L & M3 INSERTS 15μ" GOLD	2-1634225-2
	37W D SKT WITH B/L & 4-40 INSERTS 15μ" GOLD	1-1634225-2
DESCRIPTION		TE PART NO.

THIS DRAWING IS A CONTROLLED DOCUMENT.		DWN J.SANDWELL 10APR03	STE TE Connectivity	
DIMENSIONS: mm		CHK R.DYER 10APR03		
TOLERANCES UNLESS OTHERWISE SPECIFIED:		APVD F.WHEELER-KING 10APR03	NAME D-SUB HD20, VERTICAL, 37P SKT CONNECTOR	
0 PLC ± -		PRODUCT SPEC -	SIZE	
1 PLC ± 0.25		APPLICATION SPEC -	CAGE CODE	DRAWING NO
2 PLC ± 0.15		WEIGHT -	A300779	C-1634225
3 PLC ± -		CUSTOMER DRAWING	SCALE 2:1	SHEET 1 OF 2
4 PLC ± -			REV J	
ANGLES ± -				
FINISH -				

THIS DRAWING IS UNPUBLISHED.

RELEASED FOR PUBLICATION APR , 2003.

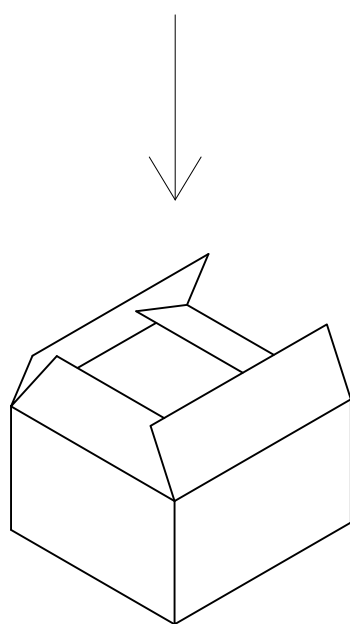
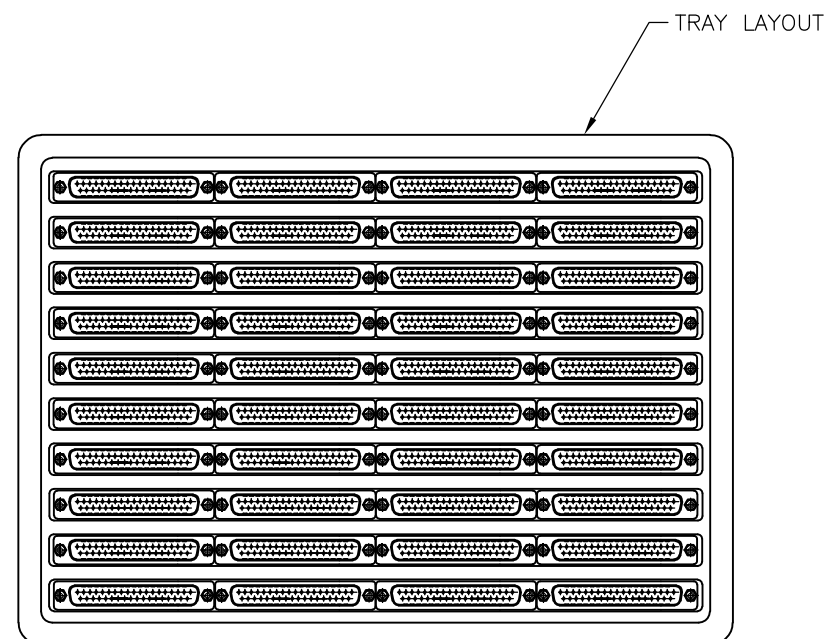
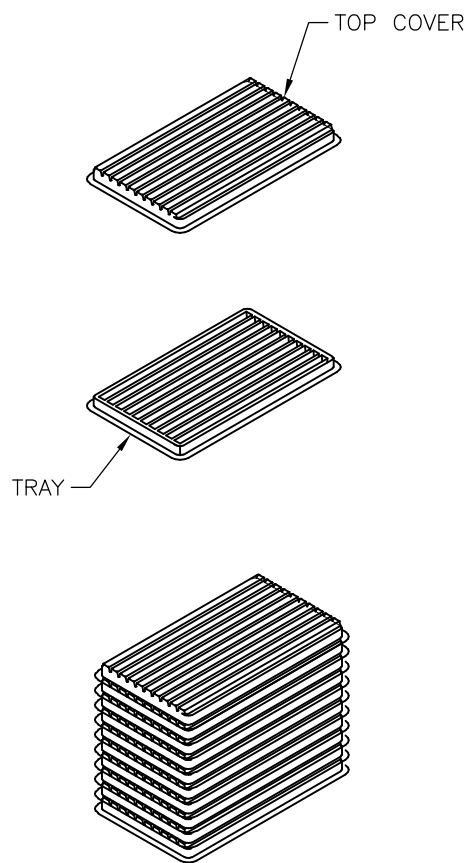
© COPYRIGHT 2003 By -

ALL RIGHTS RESERVED.


LOC GP DIST 00

REVISIONS

P	LTR	DESCRIPTION	DATE	DWN	APVD
-	-	SEE SHEET 1	-	-	-



- MATERIAL
- 1 TRAY: PVC
 - 2 SHIPPING CARTON: CORRUGATED FIBERBOARD
- DIMENSIONS
- 1 TRAY: L=310, W=230, H=21
 - 2 SHIPPING CARTON: L=330, W=245, H=160
- QUANTITY
- 40 PCS/TRAY
 - 10 TRAY/SHIPPING CARTON

THIS DRAWING IS A CONTROLLED DOCUMENT.		DWN J.SANDWELL 10APR03	 TE Connectivity														
DIMENSIONS: mm		CHK R.DYER 10APR03															
TOLERANCES UNLESS OTHERWISE SPECIFIED:		APVD F.WHEELER-KING 10APR03	NAME D-SUB HD20, VERTICAL, 37P SKT CONNECTOR														
<table border="1"> <tr><td>0 PLC</td><td>± -</td></tr> <tr><td>1 PLC</td><td>± 0.25</td></tr> <tr><td>2 PLC</td><td>± 0.15</td></tr> <tr><td>3 PLC</td><td>± -</td></tr> <tr><td>4 PLC</td><td>± -</td></tr> <tr><td>ANGLES</td><td>± -</td></tr> </table>		0 PLC	± -	1 PLC	± 0.25	2 PLC	± 0.15	3 PLC	± -	4 PLC	± -	ANGLES	± -	PRODUCT SPEC -	SIZE A3		
0 PLC	± -																
1 PLC	± 0.25																
2 PLC	± 0.15																
3 PLC	± -																
4 PLC	± -																
ANGLES	± -																
MATERIAL -		APPLICATION SPEC -	CAGE CODE 00779	DRAWING NO C-1634225	RESTRICTED TO -												
FINISH -		WEIGHT -	CUSTOMER DRAWING		SCALE 2:1												
				SHEET 2 OF 2	REV J												