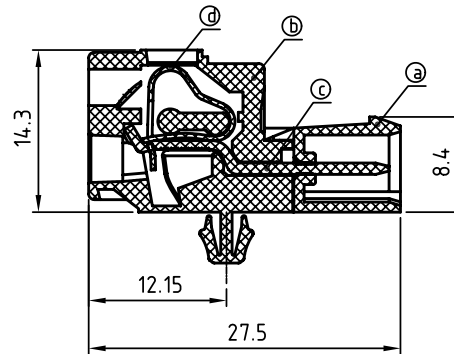
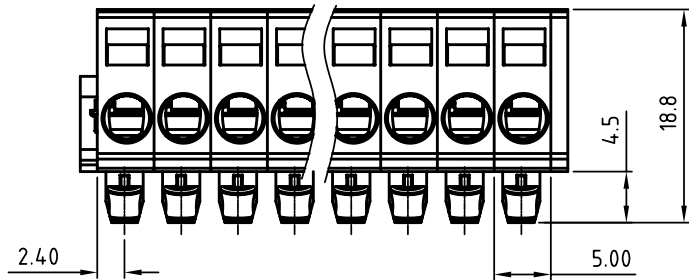
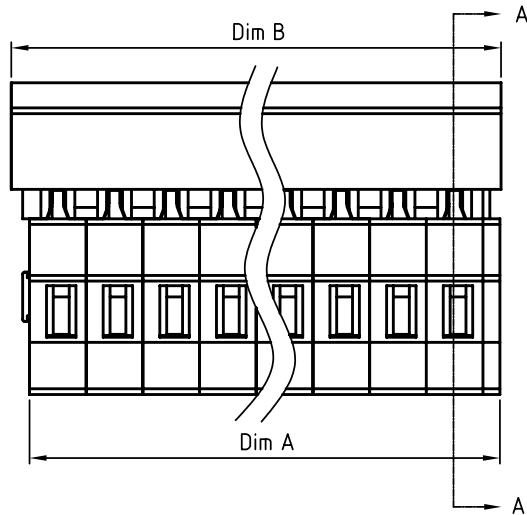
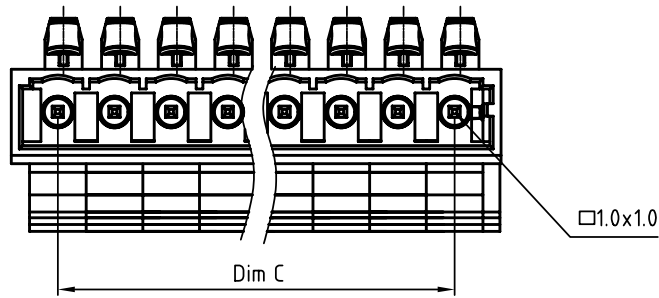


SIGN	DATE	DESCRIPTION	APPROVER
<b>THIS IS CAD DRAWING, DO NOT REVISE MANUALLY!!!</b>			



SECTION A-A

Material:

- Item a :Terminal body Thermoplastic (UL94 V-0)
- Item b :Terminal body Thermoplastic (UL94 V-0)
- Item c :Male contact pin: Brass Tin plated
- Item d :Spring clamp: Stainless steel

Electrical

- Voltage rating: 300V
- Current rating: 8A
- Wire range:
- Solid wire(AWG): 12-28
- Stranded wire(AWG): 12-28
- Wire strip length: 8-9mm
- Withstanding Voltage: 1.6KV
- Operating temperature: -40°C to +105°C
- Safety Approval: us

NB xx 7 0 x 4 xxxx G

- 02 2 poles
  - 03 3 poles
  - ... ..
  - 24 24 poles
- 0 Black
  - 5 Green (RAL6018/T)
  - 6 Blue
  - 8 Grey (RAL7035/D)
- RoHS  
Pb<40,000ppm
- 0000 Standard @ Logo  
000A Standard ANY Logo  
Any special item by customer request, please contact sales department.

N = Number of poles

Dim A=Nx5.0+1.5

Dim B=Nx5.0+3.2

Dim C=(N-1)x5.0

	Dim A	Dim B	Dim C
2-6p	±0.20	±0.20	±0.20
7-12p	±0.25	±0.25	±0.25
13-18p	±0.30	±0.30	±0.30
19-24p	±0.40	±0.40	±0.40

**ANYTEK**

**CUSTOMER COPY**

ALL RIGHTS RESERVED. REPRODUCTION OR ISSUE TO THIRD PARTIES IN ANY FORM WHATSOEVER IS NOT PERMITTED WITHOUT WRITTEN AUTHORITY FROM THE PROPRIETOR. PROPERTY OF ANYTEK TECHNOLOGY CO., LTD

TITLE		NB 5.0mm series ( With snap-in mounting feet )			
PART NO.		NBxx70x4xxxxG		DWG NO. 8NB0007	
APPROVED	CHECKED	DESIGNED	DRAWN	CUST NO.	
		runner	runner		
		2007.12.04	2007.12.04		
				Tolerance	
				X. ±0.50	
				X.X ±0.30	
				X.XX ±0.10	
				X° ±1°	
				UNIT: mm	
				SCALE: 2/1	
				SHEET: 01/01	
				REV.: B	