

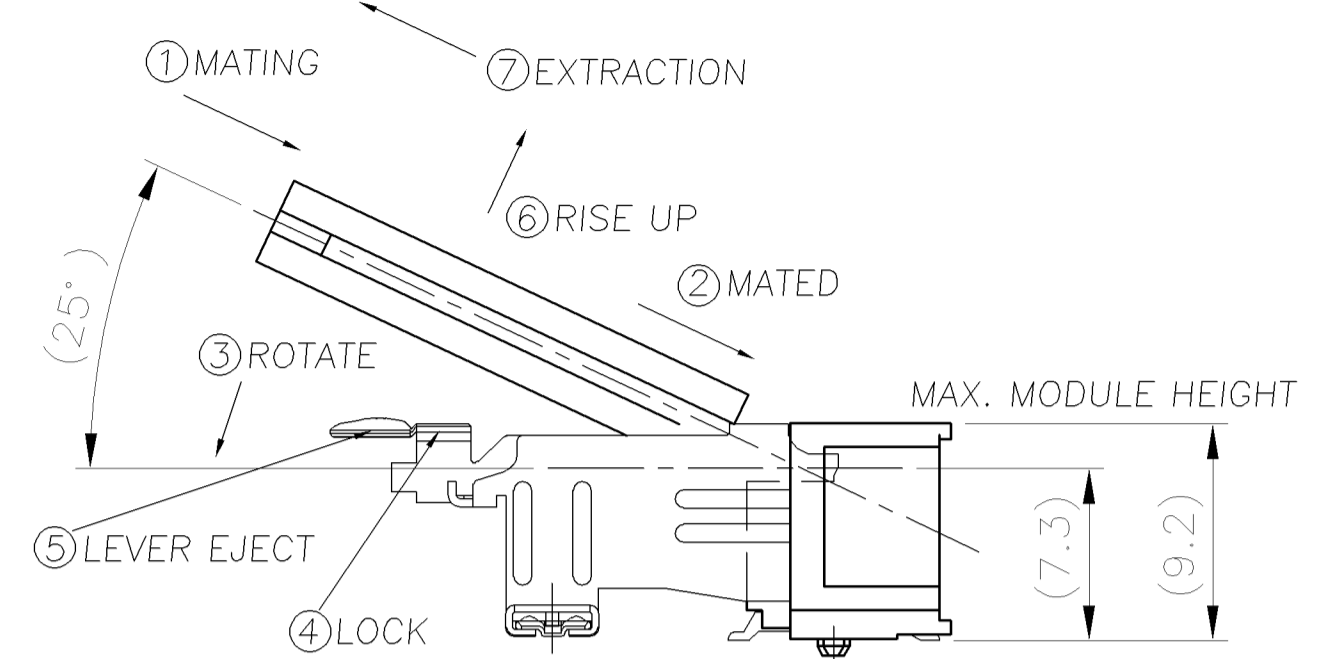
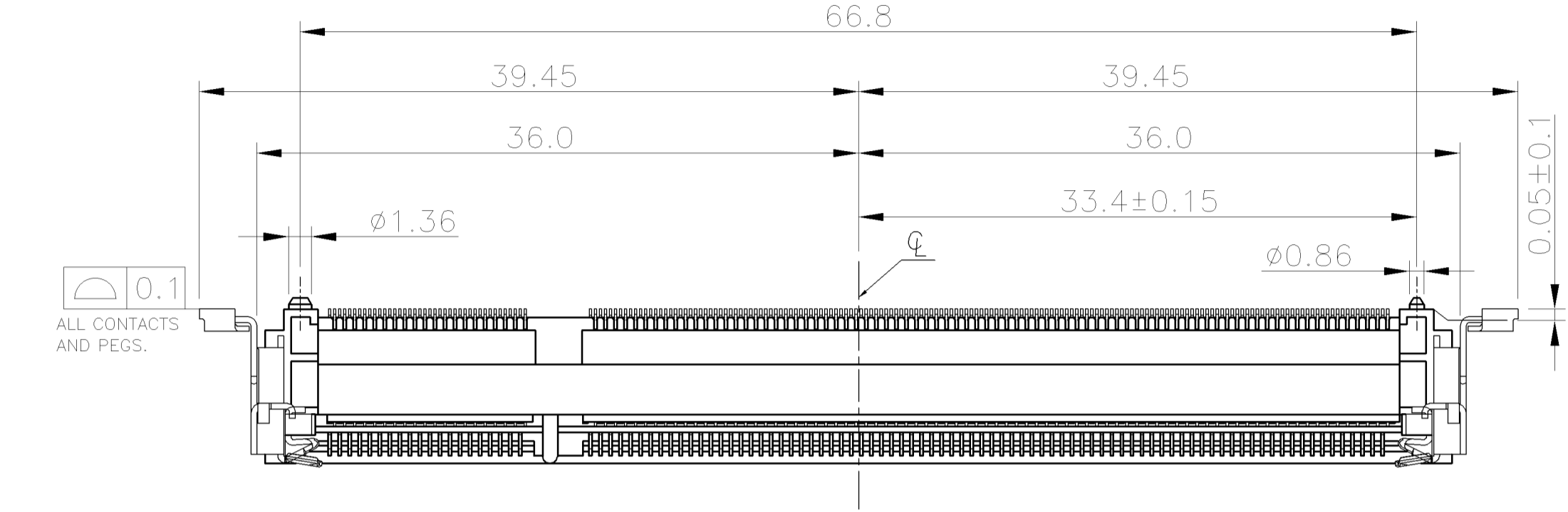
NUMBER
C-1775859

METRIC
3RD ANGLE PROJECTION

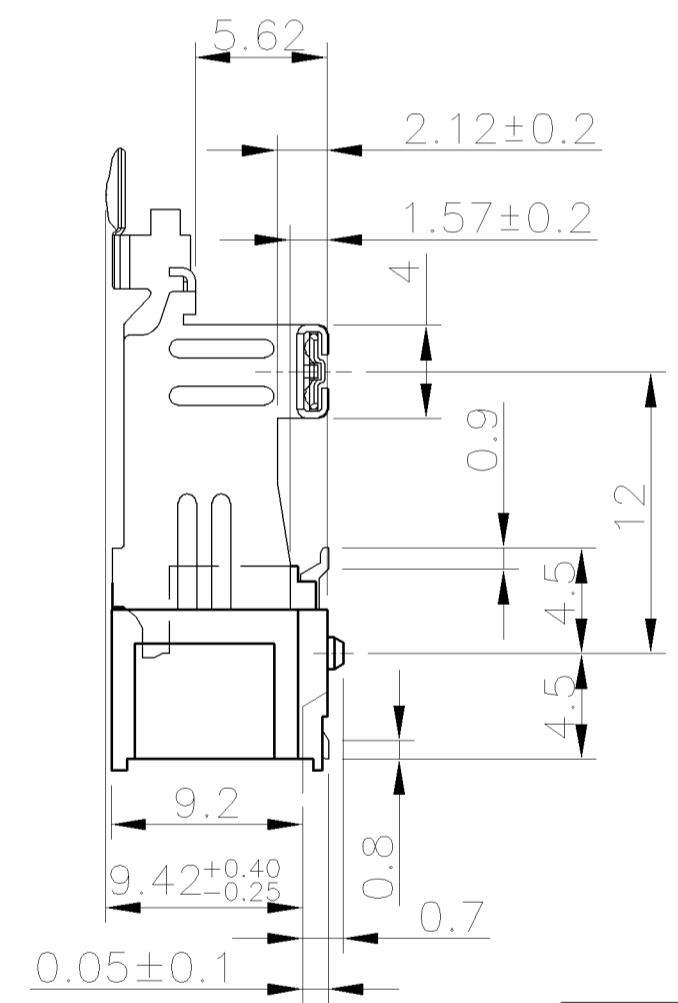
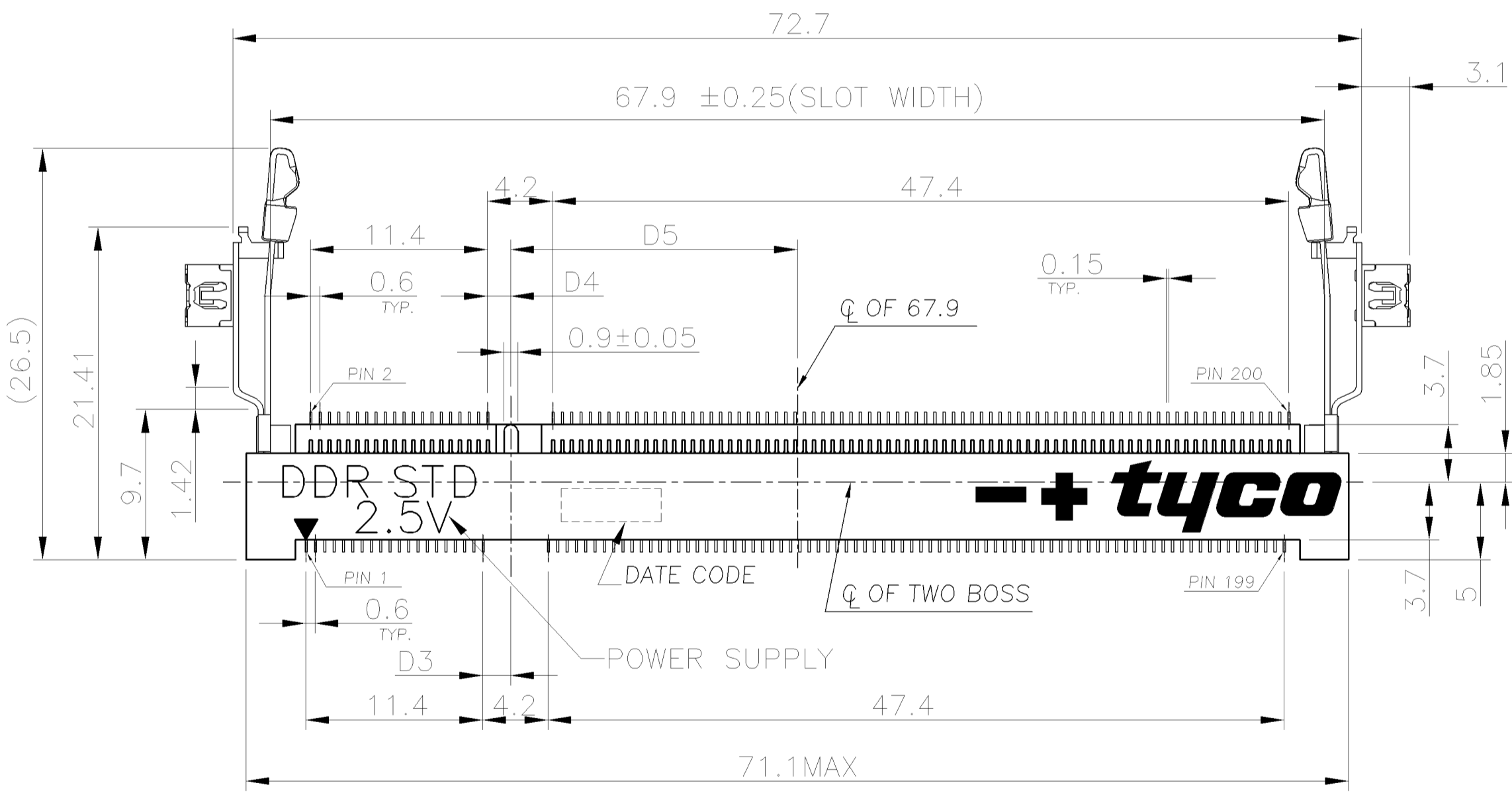
METRIC

THIS INFORMATION IS CONFIDENTIAL AND IS DISCLOSED TO YOU ON CONDITION THAT NO FURTHER DISCLOSURE IS MADE BY YOU TO OTHER THAN AMP PERSONNEL WITHOUT WRITTEN AUTHORIZATION FROM AMP (TAIWAN) LTD. DIMENSIONS IN MILLIMETERS. DO NOT SCALE PRINT.

PRINT DIST
DW



HOW TO MATE AND UNMATE
MATE: ① → ④
UNMATE: ⑤ → ⑦



- NOTES:
- MATERIAL:
 - HOUSING: THERMOPLASTIC, (LCP), UL94V-0; COLOR:BLACK.
 - CONTACTS: COPPER ALLOY
 - LATCH: STAINLESS STEEL
 - SOLDER PEG: BRASS
 - FINISH:
 - CONTACT:
 - 2μ" MIN. Au PALTED ON CONTACT AREA AND SOLDER AREA.
 - 50μ" MIN. NICKEL UNDERPLATING OVERALL.
 - SOLDER PEG:
 - 80μ" MIN. BRIGHT TIN PLATED OVER
 - 50μ" MIN. NICKEL UNDERPLATING OVERALL.
 - RECOMMENDED PCB THICKNESS : 1.2mm
 - REFLOW SOLDER CAPABLE TO 260°C PER TYCO SPEC. 109-201, CONDITION B.

HARD TRAY	2.5V	18.45	1.5	1.8	1775859-2
TAPE/REEL	2.5V	18.45	1.5	1.8	1775859-1
PKG TYPE	PWR. SUP.	D5	D4	D3	PART NUMBER

TOLERANCES UNLESS OTHERWISE SPECIFIED:		DWN S. HOU 15-DEC-2006		tyco TYCO HOLDINGS (BERMUDA) VII LTD. TAIWAN BRANCH Electronics	
0 PLC ± 0.3 1 PLC ± 0.25 2 PLC ± 0.12 3 PLC ± 0.05 ANGLES ± 3'		CHK W.J. KE 15-DEC-2006			
MATERIAL		APVD W.J. KE 15-DEC-2006		DDR S.O. DIMM SOCKET, 200P, 9.2 HEIGHT, SMT. STANDARD TYPE	
SEE NOTE		PRODUCT SPEC 108-57807			
FINISH		QUALIFICATION TEST REPOERT 501-57813		LOC DW	SIZE A ₃
SEE NOTE		WEIGHT 7.8 GRAM		DRAWING NO C-1775859	REV B
		SCALE		SHEET 1 OF 6	

B	ADDED P/N: -2, 1-2	ECR-06-029363	SH WK	15DEC 2006
A	REVISED	ECR-06-006747	SH WK	22MAR 2006
O	FIRST RELEASED	--	SH WK	06JAN 2006
LTR	REVISION RECORD	ECN	DWN CHK	DATE

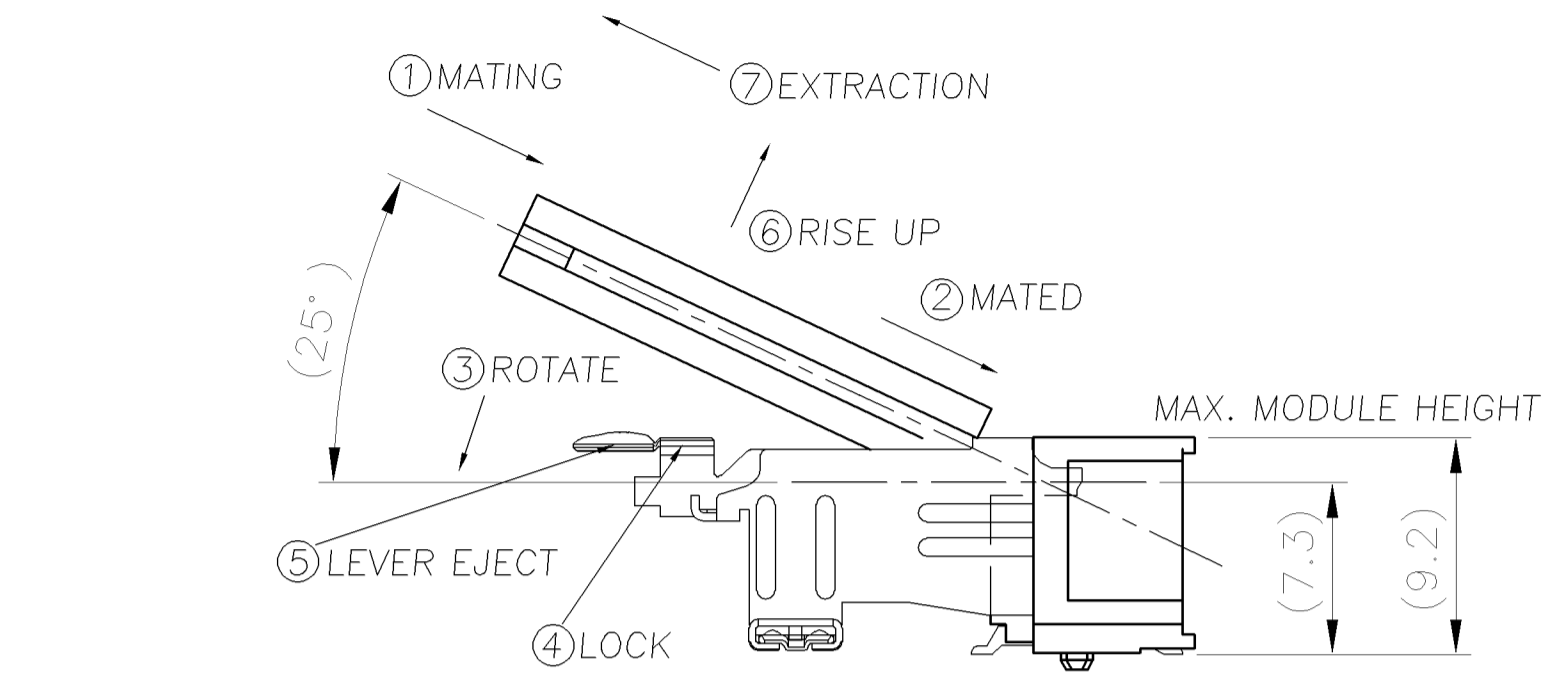
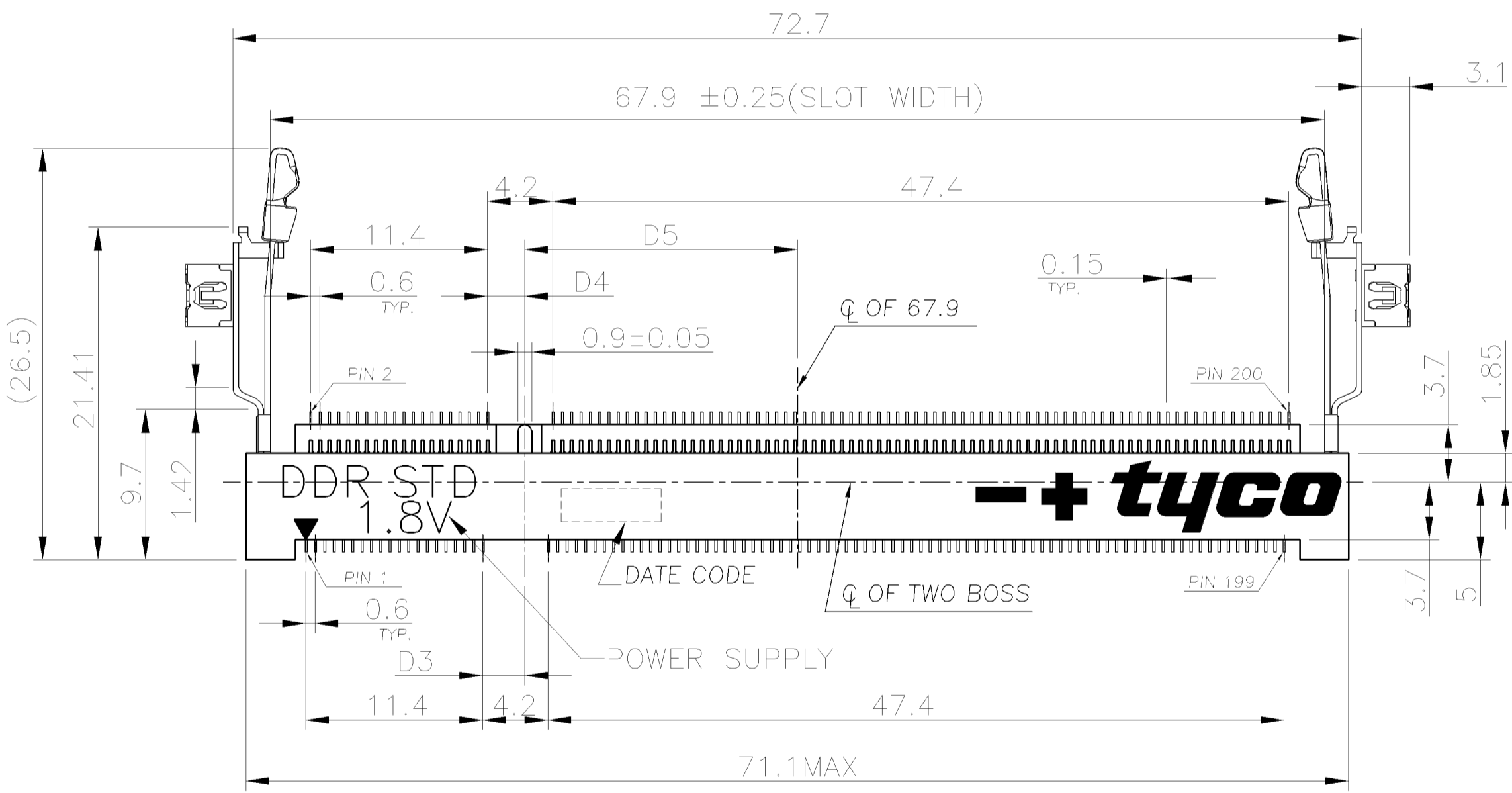
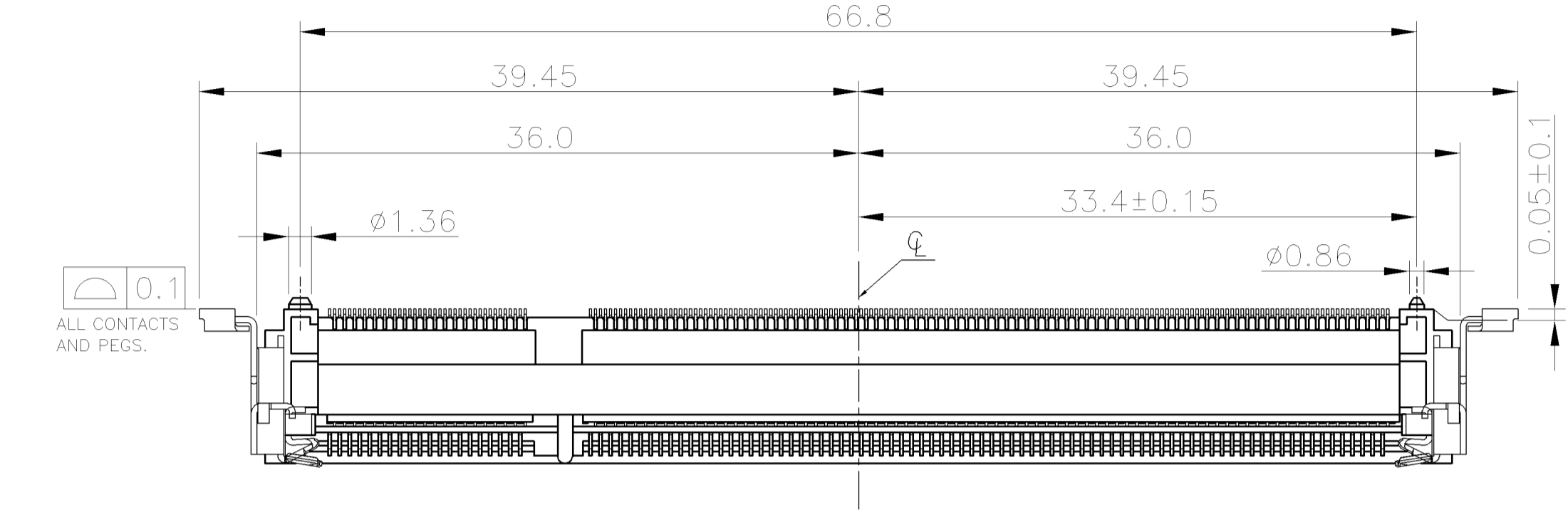
NUMBER
C-1775859

3RD ANGLE PROJECTION

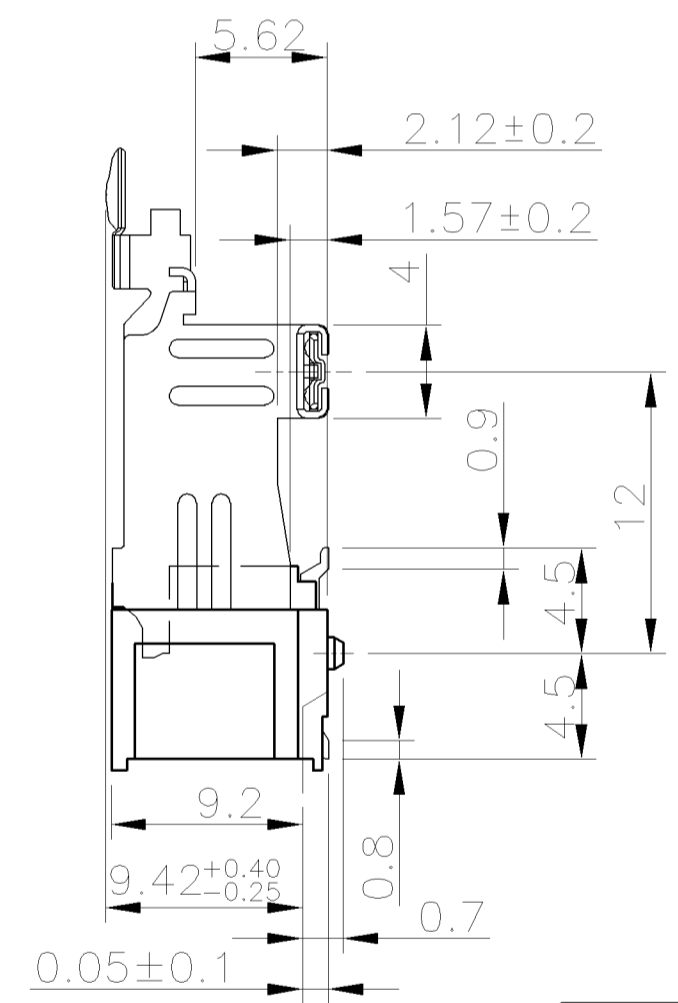
METRIC

THIS INFORMATION IS CONFIDENTIAL AND IS DISCLOSED TO YOU ON CONDITION THAT NO FURTHER DISCLOSURE IS MADE BY YOU TO OTHER THAN AMP PERSONNEL WITHOUT WRITTEN AUTHORIZATION FROM AMP (TAIWAN) LTD. DIMENSIONS IN MILLIMETERS. DO NOT SCALE PRINT.

PRINT DIST
DW



HOW TO MATE AND UNMATE
MATE: ① → ④
UNMATE: ⑤ → ⑦



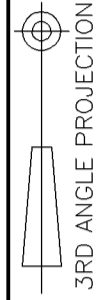
HARD TRAY	1.8V	17.55	2.4	2.7	1-1775859-2
TAPE/REEL	1.8V	17.55	2.4	2.7	1-1775859-1
PKG TYPE	PWR. SUP.	D5	D4	D3	PART NUMBER

TOLERANCES UNLESS OTHERWISE SPECIFIED: 0 PLC ± 0.3 1 PLC ± 0.25 2 PLC ± 0.12 3 PLC ± 0.05 ANGLES ± 3'	DWN	S. HOU 15-DEC-2006	tyco TYCO HOLDINGS (BERMUDA) Electronics VII LTD. TAIWAN BRANCH		
	CHK	W.J. KE 15-DEC-2006			
MATERIAL	APVD	W.J. KE 15-DEC-2006	DDR S.O. DIMM SOCKET, 200P, 9.2 HEIGHT, SMT. STANDARD TYPE		
FINISH	APPLICATION SPEC	-	LOC	SIZE	DRAWING NO
	WEIGHT	7.8 GRAM	DW	A ₃	C-1775859
			SCALE		REV
					B
					SHEET
					2 OF 6

SEE SHEET 1	ECN	DWN	CHK	DATE
LTR	REVISION RECORD			

8 7 6 5 4 3 2 1 CUSTOMER DRAWING

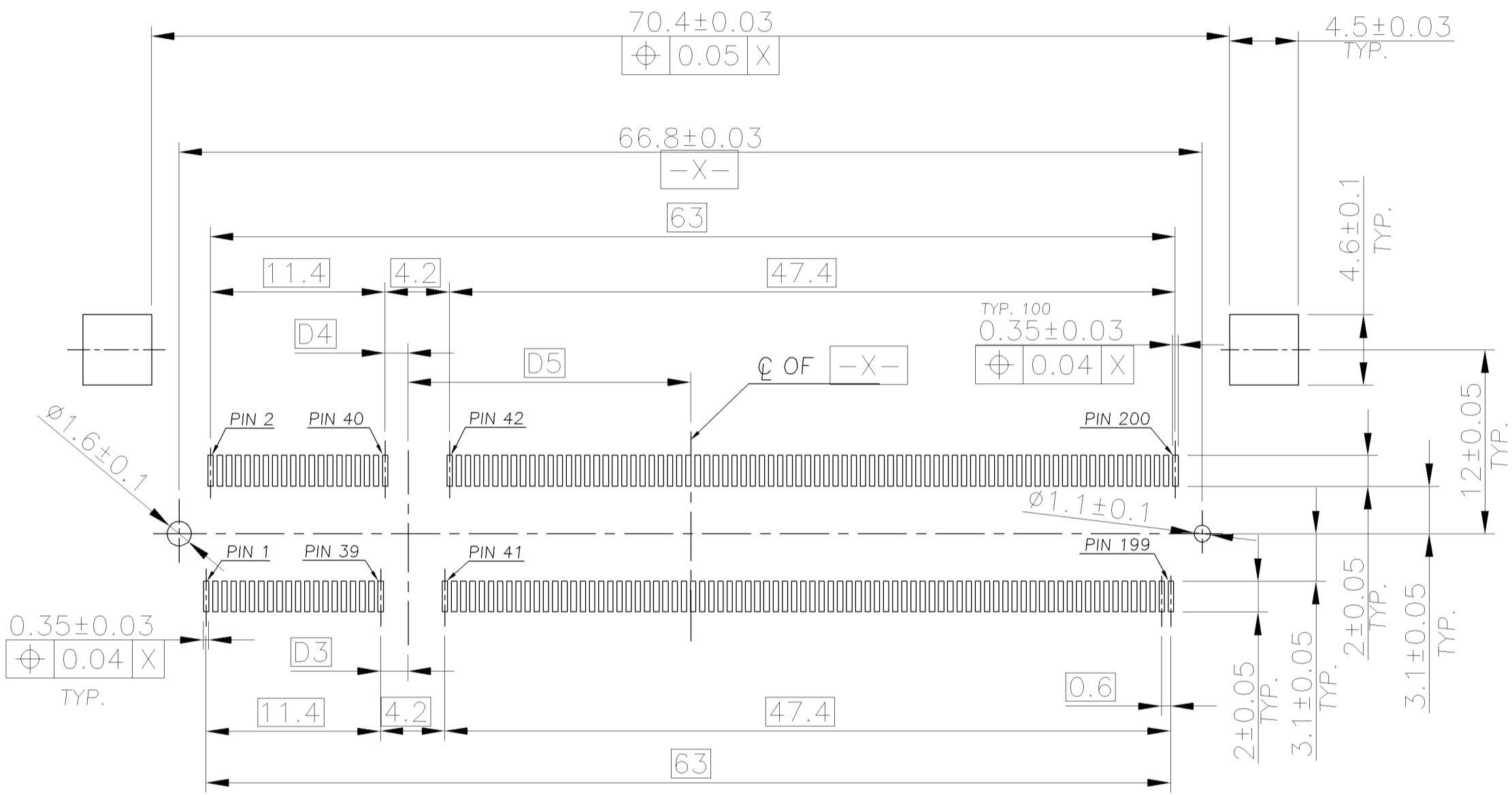
NUMBER
C-1775859



METRIC

THIS INFORMATION IS CONFIDENTIAL AND IS DISCLOSED TO YOU ON CONDITION THAT NO FURTHER DISCLOSURE IS MADE BY YOU TO OTHER THAN AMP PERSONNEL WITHOUT WRITTEN AUTHORIZATION FROM AMP (TAIWAN) LTD. DIMENSIONS IN MILLIMETERS. DO NOT SCALE PRINT.

PRINT DIST
DW



RECOMMENDED PCB LAYOUT
CONNECTOR MOUNTING SIDE

STANDARD TYPE

18.45	1.5	1.8	2.5V
17.55	2.4	2.7	1.8V
D5	D4	D3	PWR. SUP.

TOLERANCES UNLESS OTHERWISE SPECIFIED: 0 PLC ± 0.3 1 PLC ± 0.25 2 PLC ± 0.12 3 PLC ± 0.05 ANGLES ± 3°		DWN S. HOU 15-DEC-2006	tyco TYCO HOLDINGS (BERMUDA) VII LTD. TAIWAN BRANCH Electronics
MATERIAL -		CHK W.J. KE 15-DEC-2006	
FINISH -		APVD W.J. KE 15-DEC-2006	NAME DDR S.O. DIMM SOCKET, 200P, 9.2 HEIGHT, SMT. STANDARD TYPE
		PRODUCT SPEC -	
		APPLICATION SPEC -	LOC DW
		WEIGHT	SIZE A ₃
			DRAWING NO C-1775859
			REV B
			SCALE --
			SHEET 3 OF 6

SEE SHEET 1.	ECN	DWN	CHK	DATE
LTR	REVISION RECORD			

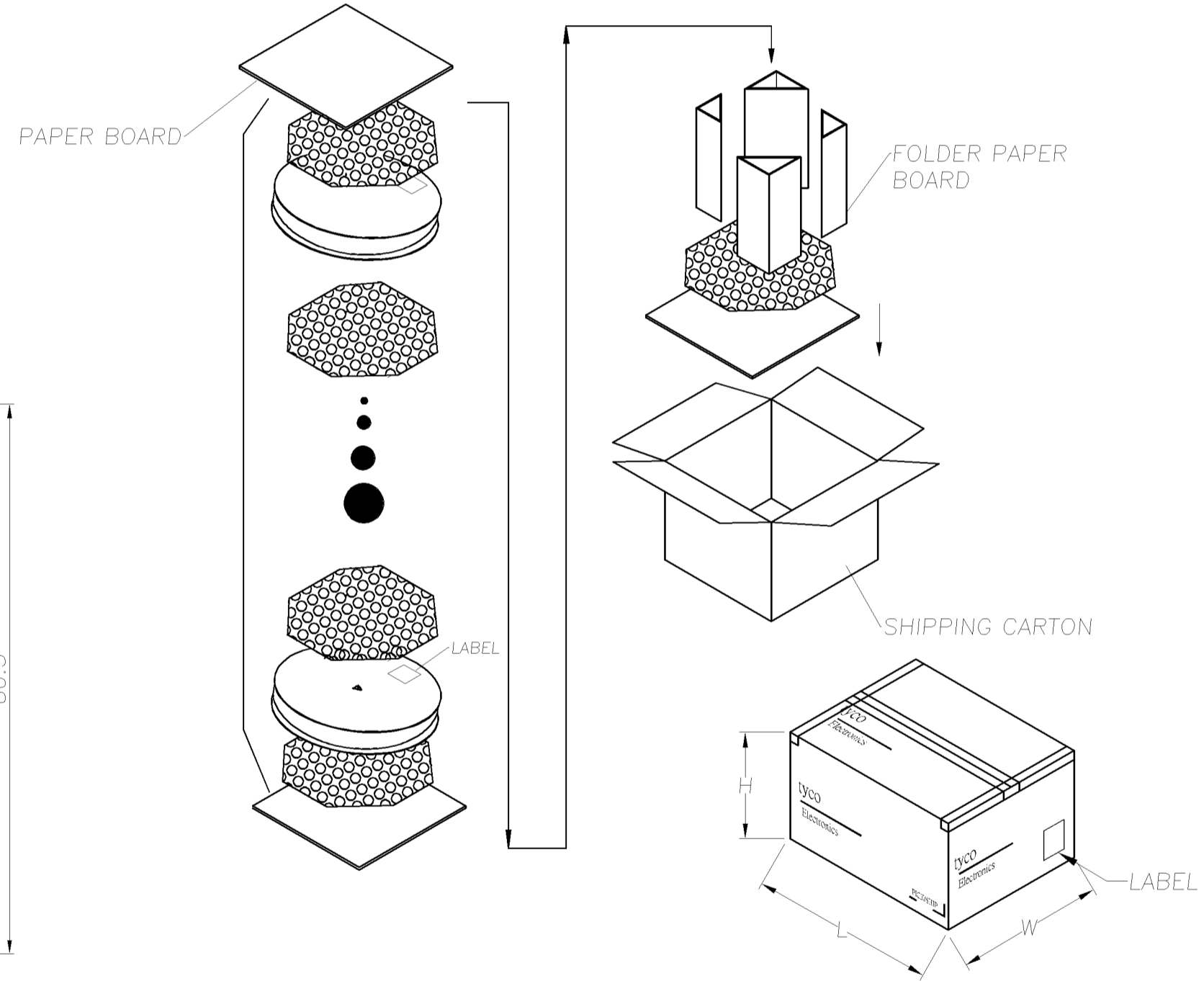
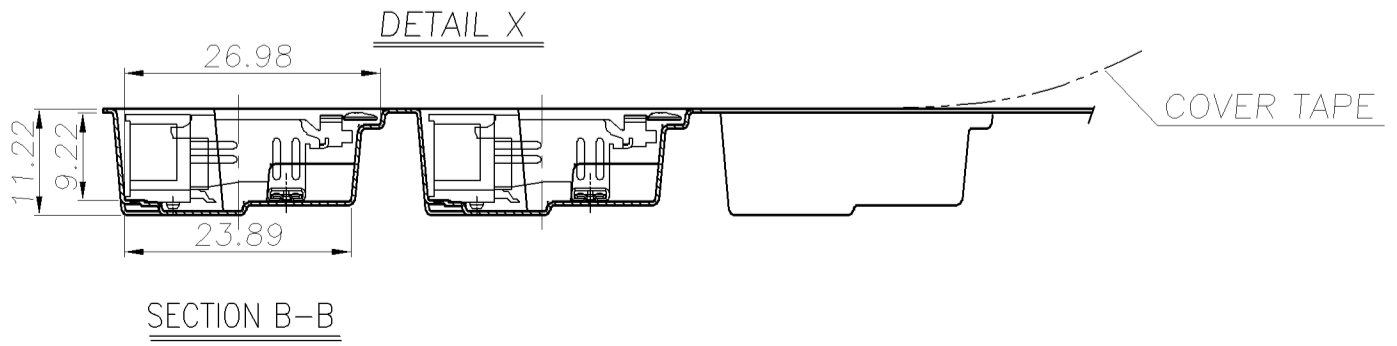
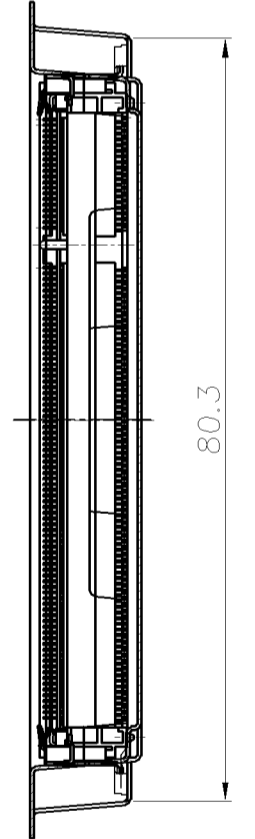
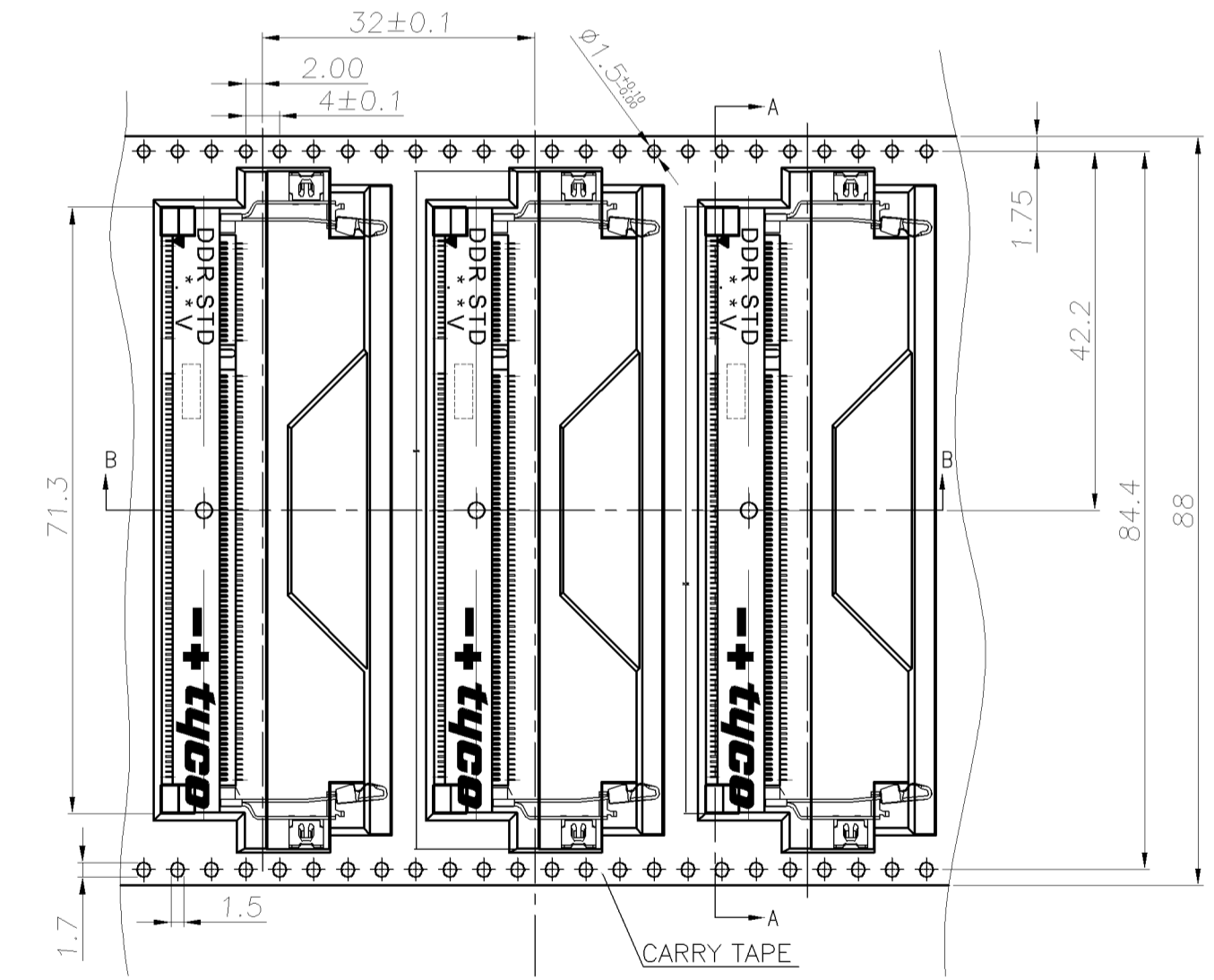
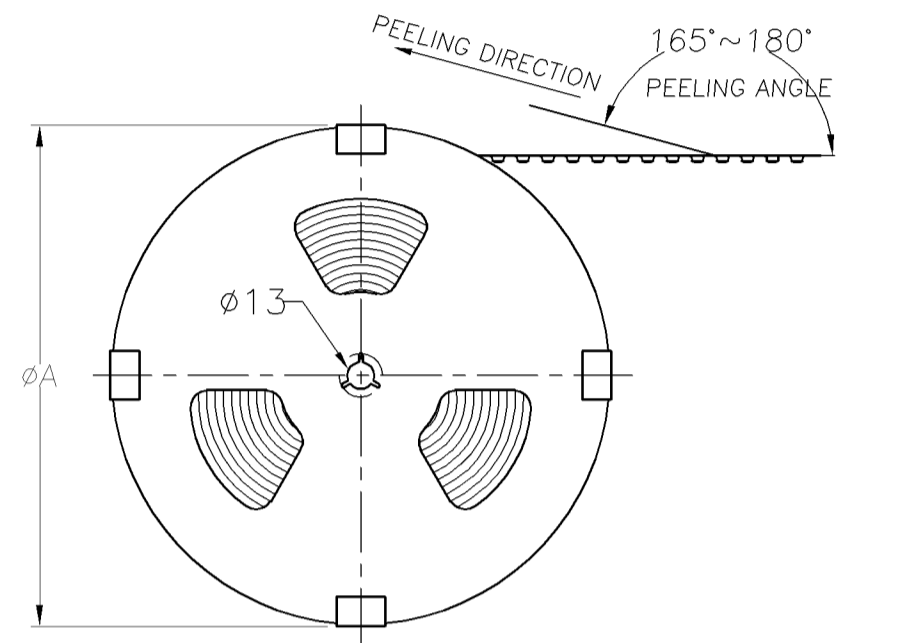
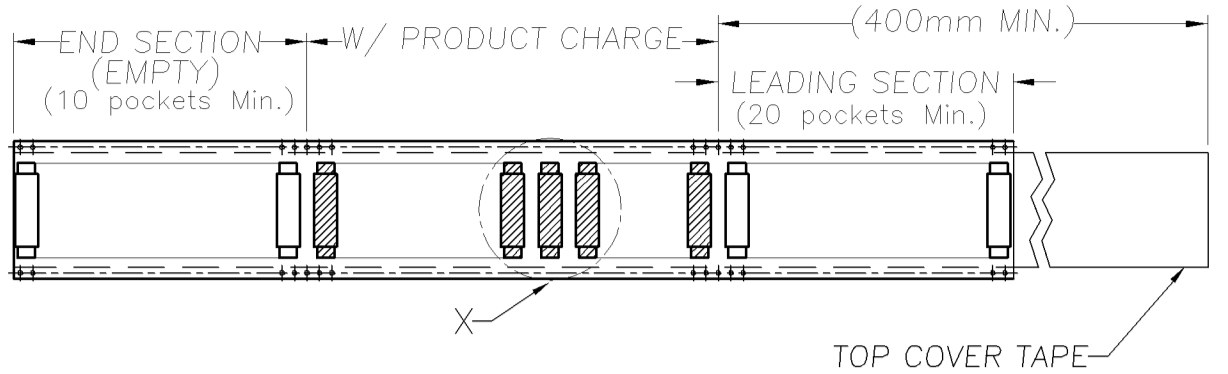
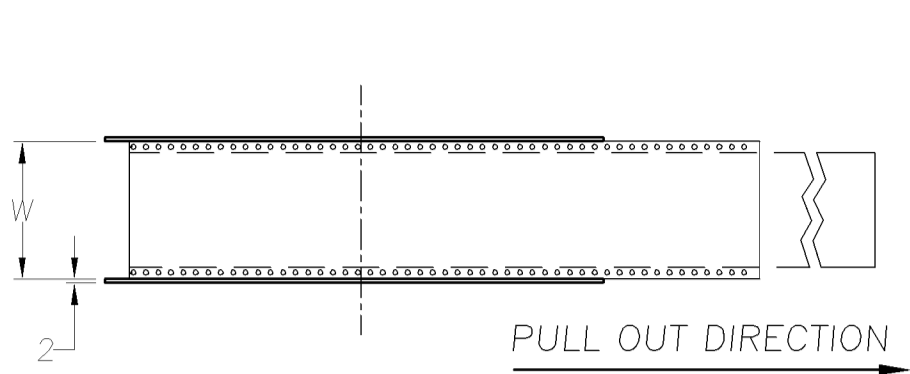
NUMBER
C-1775859

METRIC
3RD ANGLE PROJECTION

METRIC

THIS INFORMATION IS CONFIDENTIAL AND IS DISCLOSED TO YOU ON CONDITION THAT NO FURTHER DISCLOSURE IS MADE BY YOU TO OTHER THAN AMP PERSONNEL WITHOUT WRITTEN AUTHORIZATION FROM AMP (TAIWAN) LTD. DIMENSIONS IN MILLIMETERS. DO NOT SCALE PRINT.

PRINT DIST
DW



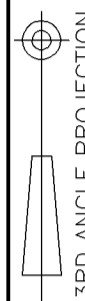
- NOTES:
- MATERIAL :
 - EMBOSSED CARRIER: PS
 - COVER TAPE: PS
 - SHIPPING CARTON: CORRUGATED FIBER
 - DIMENSION :
 - REEL: W=88, $\phi A=330$
 - SHIPPING CARTON: L=348, W=348, H=295
 - QUANTITY :
 - PRIMARY PACKING: 150PCS/REEL
 - SECONDARY PACKING: 2 REELS/CARTON(300PCS)
 - WEIGHT :
 - NET WEIGHT: 1.17Kg/REEL, 2.34Kg/CARTON.
 - GROSS WEIGHT: 1.600Kg/REEL, 5.80Kg/CARTON.
 - PEELING RESISTANCE: 0.1~0.7N(10.2gf~71.4gf).
 - PEELING SPEED: 300mm/minutes.

SEE SHEET 1.	ECN	DWN	CHK	DATE
LTR	REVISION RECORD			

TOLERANCES UNLESS OTHERWISE SPECIFIED: 0 PLC ± 0.3 1 PLC ± 0.25 2 PLC ± 0.12 3 PLC ± 0.05 ANGLES ± 3'	DWN S. HOU 15-DEC-2006	tyco Electronics TYCO HOLDINGS (BERMUDA) VII LTD. TAIWAN BRANCH
MATERIAL	CHK W.J. KE 15-DEC-2006	
FINISH	APVD W.J. KE 15-DEC-2006	
PRODUCT SPEC	-	
APPLICATION SPEC	-	NAME
WEIGHT	-	LOC
		SIZE
		DRAWING NO
		REV
		SCALE
		SHEET

DDR S.O. DIMM SOCKET, 200P, 9.2 HEIGHT, SMT. STANDARD TYPE			
DW	A ₃	C-1775859	B
5 OF 6			

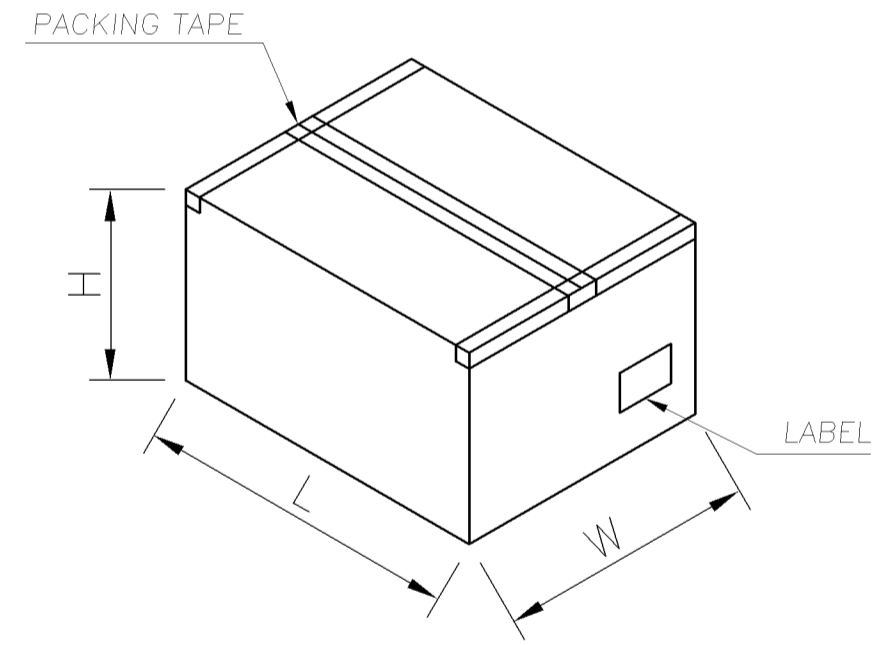
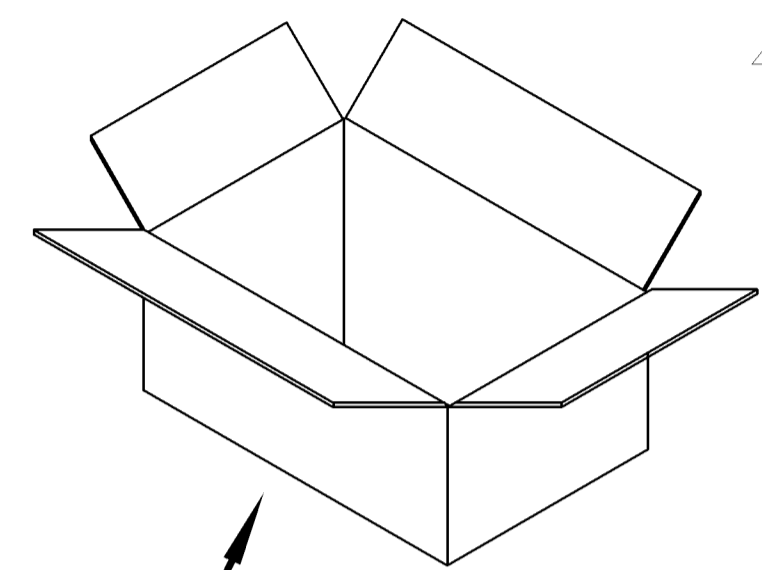
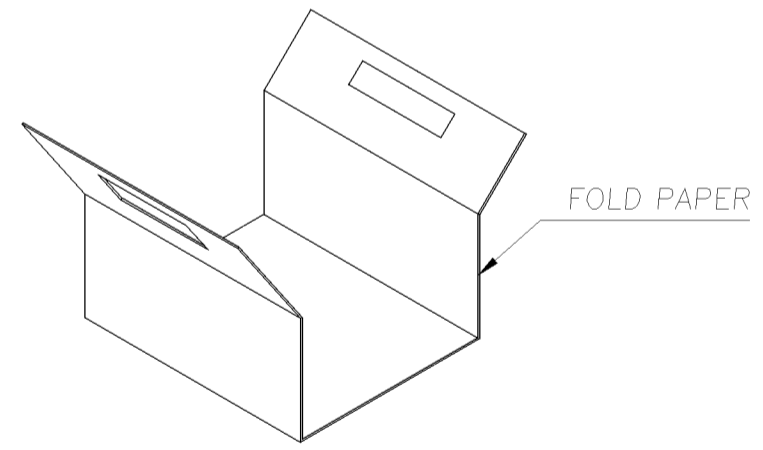
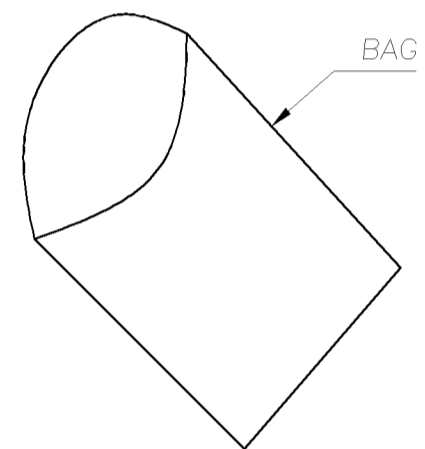
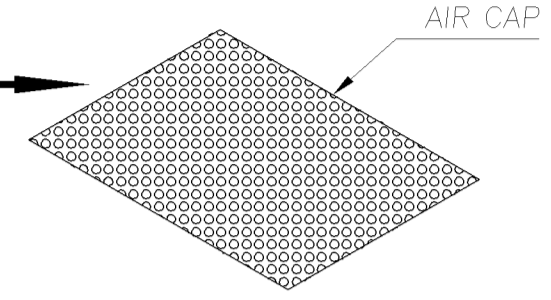
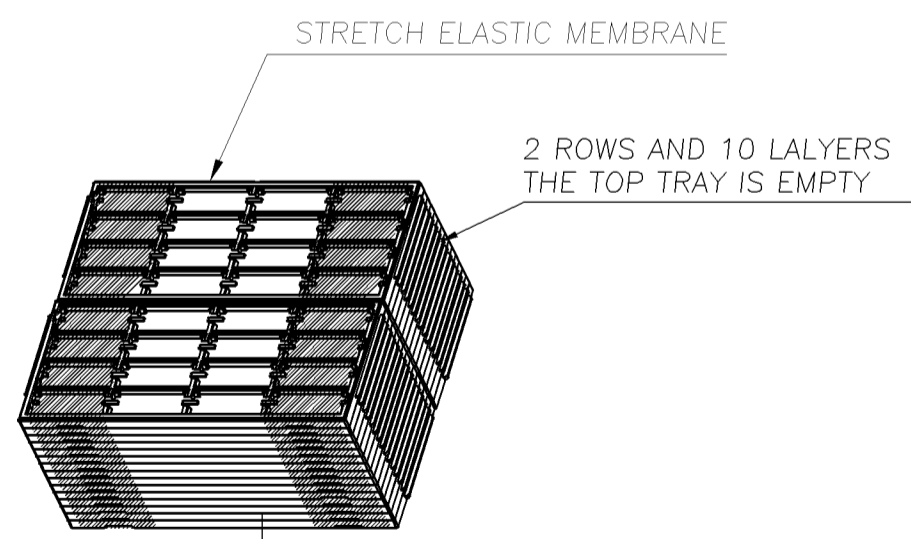
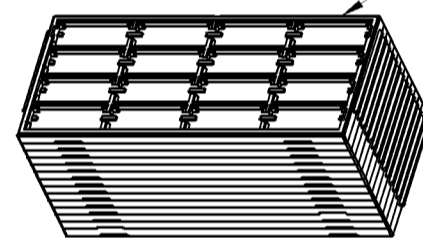
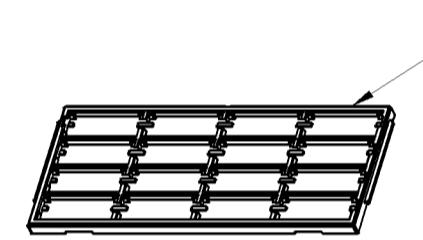
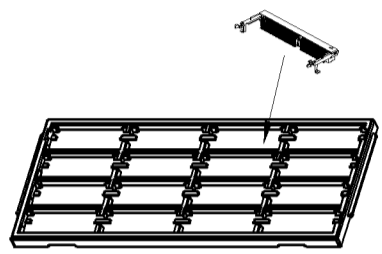
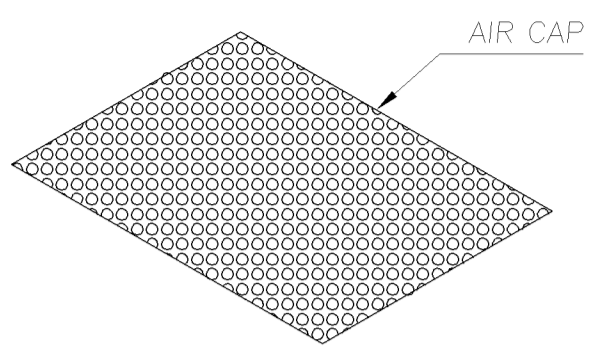
NUMBER
C-1775859



METRIC

THIS INFORMATION IS CONFIDENTIAL AND IS DISCLOSED TO YOU ON CONDITION THAT NO FURTHER DISCLOSURE IS MADE BY YOU TO OTHER THAN AMP PERSONNEL WITHOUT WRITTEN AUTHORIZATION FROM AMP (TAIWAN) LTD. DIMENSIONS IN MILLIMETERS. DO NOT SCALE PRINT.

PRINT DIST
DW



- NOTES :
- MATERIAL:
 - 1.1 TRAY: ABS, BLACK COLOR
 - 1.2 SHIPPING CARTON: CORRUGATED FIBERBOARD
 - DIMENSION:
 - 2.1 TRAY: L=246, W=139, H=16
 - 2.1 SHIPPING CARTON: L=360, W=330, H=195
 - QUANTITY:
 - 3.1 PRIMARY PACKING: 16 PCS/TRAY
 - 3.2 SECONDARY PACKING: 20 TRAY/CARTON(320PCS)
 - WEIGHT:
 - 4.1 NET WEIGHT: 3.2Kg
 - 4.2 GROSS WEIGHT: 6.91Kg

8 7 6 5 4 3 2 1

LTR	SEE SHEET 1.	ECN	DWN	CHK	DATE
	REVISION RECORD				

TOLERANCES UNLESS OTHERWISE SPECIFIED: 0 PLC ± 1 PLC ± 2 PLC ± 3 PLC ± ANGLES ±	DWN S. HOU 15-DEC-2006		TYCO HOLDINGS (BERMUDA) VII LTD. TAIWAN BRANCH	
MATERIAL	CHK W.J. KE 15-DEC-2006		NAME	
FINISH	APVD W.J. KE 15-DEC-2006	DDR S.O. DIMM SOCKET, 200P, 9.2 HEIGHT, SMT. STANDARD TYPE		
	PRODUCT SPEC -	LOC DW	SIZE A ₃	DRAWING NO C-1775859
	APPLICATION SPEC -	SCALE --		REV B
	WEIGHT	SHEET 6 OF 6		

CUSTOMER DRAWING

D
C
B
A