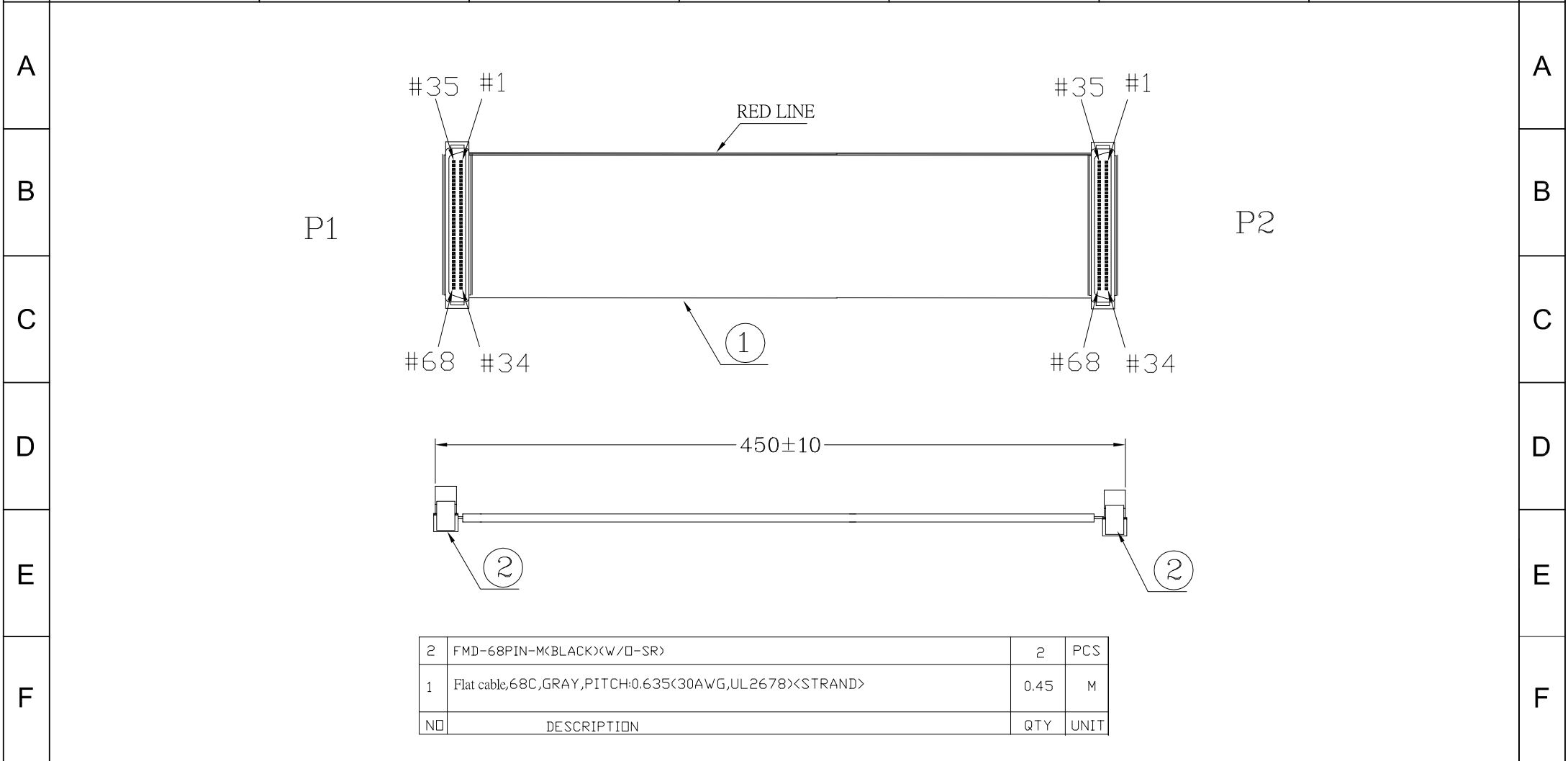


1 2 3 4 5 6 7




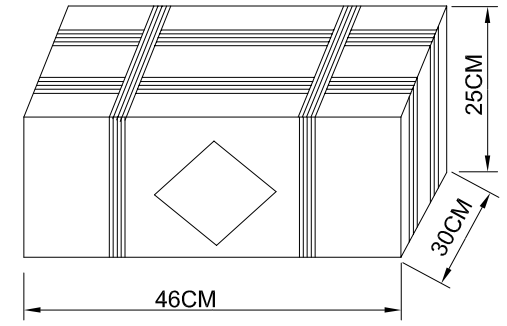
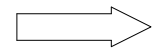
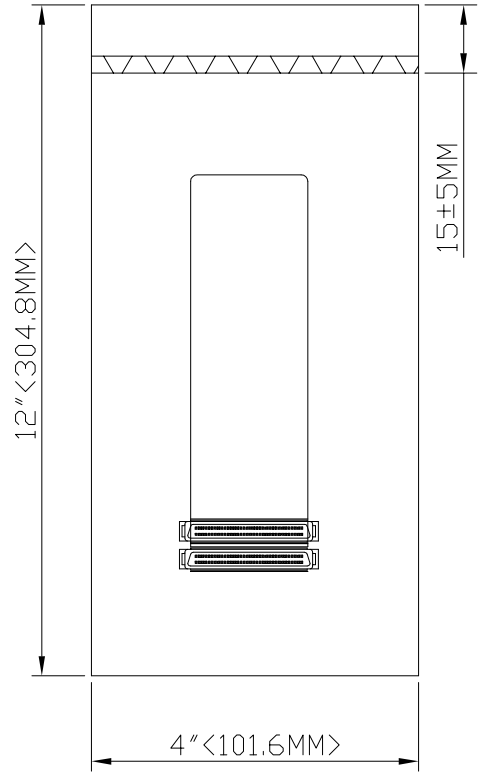
2	FMD-68PIN-M<BLACK><W/D-SR>	2	PCS
1	Flat cable,68C,GRAY,PITCH:0.635<30AWG,UL2678><STRAND>	0,45	M
NO	DESCRIPTION	QTY	UNIT

RoHS compliant
Unit: mm

Scale	Free					Date	Name	Customer-No.	
TOLERANCE						Drawn	19.01.2017	Amy	ASSMANN WSW-No. AK-Y2301
						Approved	19.01.2017	Amy	
DIM	TOL								Drawing-No.
									ASS 7837 CA
		©	Drawn	19.01.2017	Amy	ASSMANN WSW components		Replace	rev00
Angle	TOL	Id.	Modification	Date	Name			Sheet	1 / 2

1 2 3 4 5 6 7


P1	PIN ASSIGNMENT		P2
1	_____	1	
2	_____	2	
3	_____	3	
			
66	_____	66	
67	_____	67	
68	_____	68	

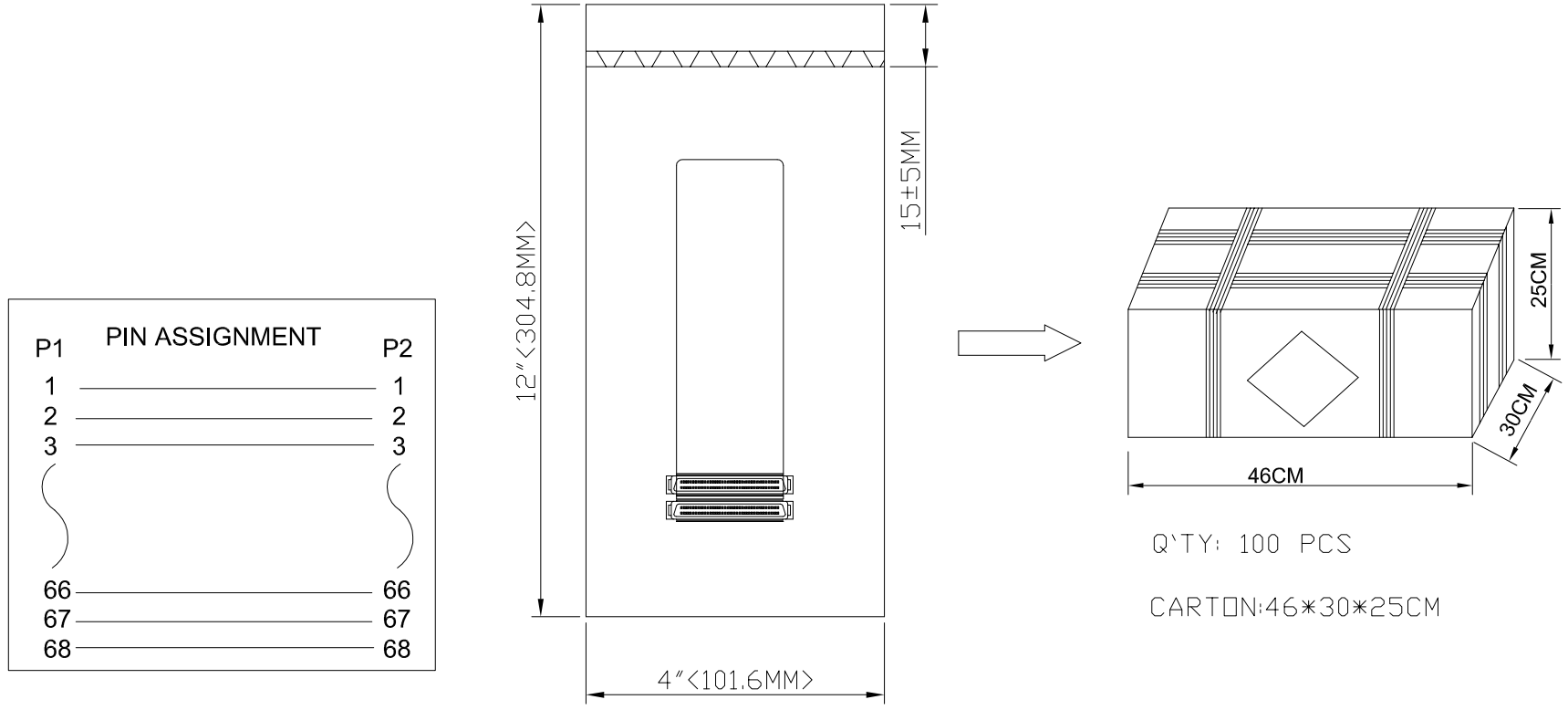


Q'TY: 100 PCS
 CARTON: 46*30*25CM

PE BAG: 4"*12"*0.06MM
 1PCS/PE BAG

RoHS compliant
 Unit: mm

Scale	Free				Date	Name	Customer-No.	
TOLERANCE					Drawn	19.01.2017	Amy	ASSMANN WSW-No. AK-Y2301
					Approved	19.01.2017	Amy	
DIM	TOL						Drawing-No.	
							ASS 7837 CA	
Angle	TOL	Id.	Modification	Date	Name	Replace		Sheet 2 / 2

	1	2	3	4	5	6	7											
A									A									
B									B									
C									C									
D									D									
E									E									
F									F									
G	<table border="1"> <tr> <td></td> <td></td> <td></td> <td></td> <td></td> <td></td> <td></td> <td></td> <td></td> </tr> </table>																	G
H	<table border="1"> <tr> <td></td> <td></td> <td></td> <td></td> <td></td> <td></td> <td></td> <td></td> <td></td> </tr> </table>																	H
	1	2	3	4	5	6	7											