

THIS DRAWING IS UNPUBLISHED.

RELEASED FOR PUBLICATION

ALL RIGHTS RESERVED.

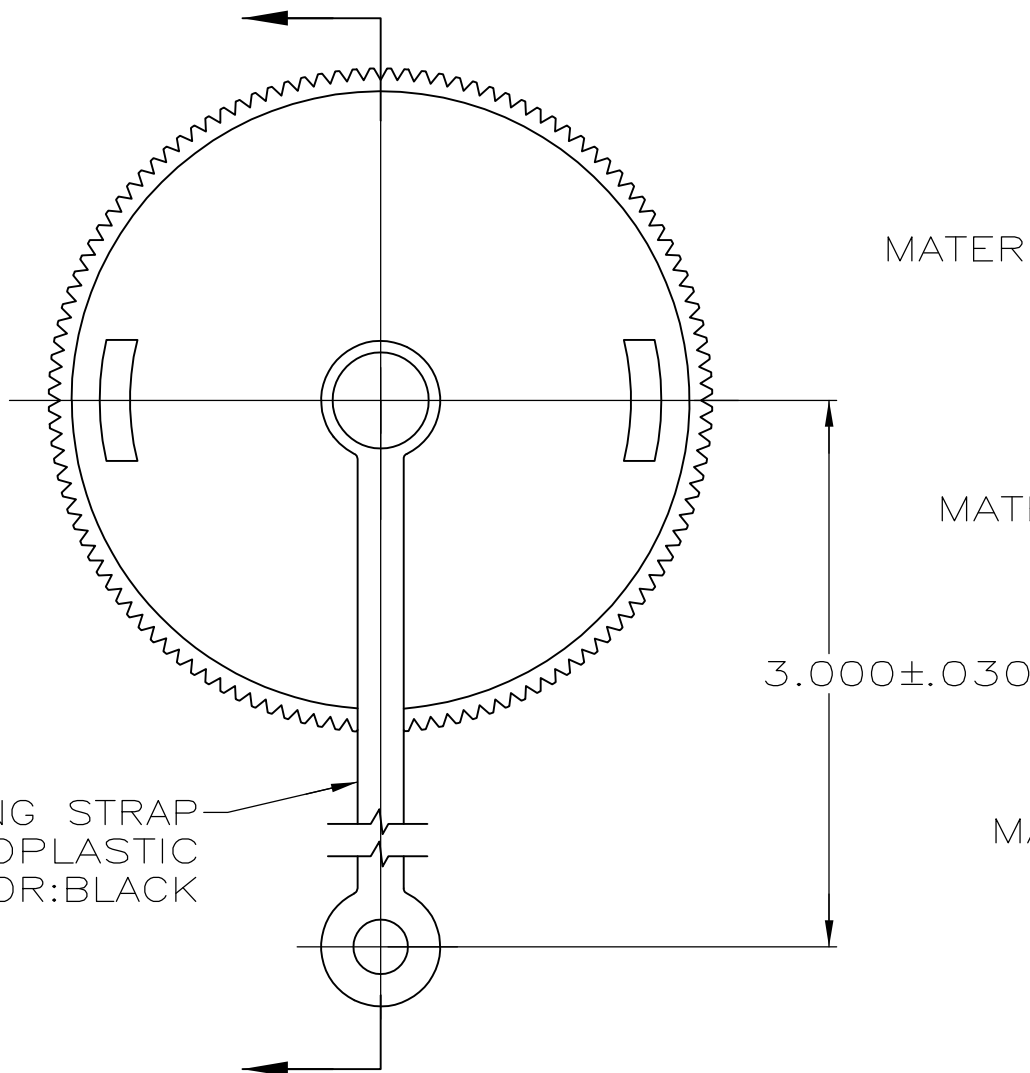
© COPYRIGHT - By -

LOC: BD DIST: 35

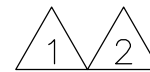
REVISIONS

P	LTR	DESCRIPTION	DATE	DWN	APVD
G3		REVISED PER ECO-11-004917	11MAR11	RK	HMR

- 1 FINISH: ZINC PLATE WITH CLEAR CHROMATE
- 2 FINISH: ZINC PLATE WITH NON-HEXAVALENT CHROMATE



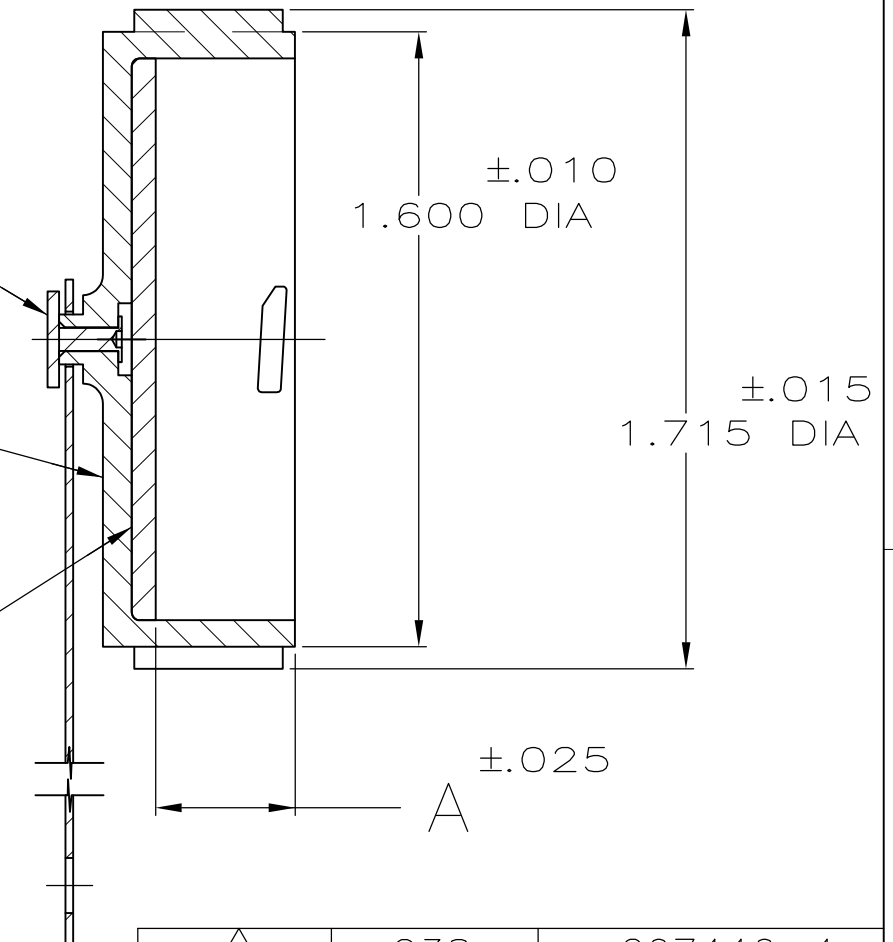
MATERIAL: CARBON



RIVET  
STEEL

SEALING CAP  
MATERIAL: THERMOPLASTIC  
COLOR: BLACK

SEALING GASKET  
MATERIAL: ELASTOMER  
COLOR: BLACK



SUPERCEDED BY 207446-4

SUPERCEDED BY 207446-3

2	.238	207446-4
2	.363	207446-3
1	.238	207446-2
1	.363	207446-1
FINISH	A	PART NUMBER

THIS DRAWING IS A CONTROLLED DOCUMENT.

DWN: S.RIDGLEY BG 8/1/90

CHK: R.STONE 4-26-91

APVD: K.BEAVER 4-30-91

PRODUCT SPEC

APPLICATION SPEC

WEIGHT

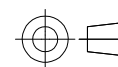
CUSTOMER DRAWING

**STE** TE Connectivity

SEALING CAP ASSY, SIZE 23, CPC

SIZE	CAGE CODE	DRAWING NO	RESTRICTED TO
A3	00779	C-207446	-

DIMENSIONS:  
INCHES



TOLERANCES UNLESS OTHERWISE SPECIFIED:

0 PLC	± -
1 PLC	± -
2 PLC	± -
3 PLC	± .005
4 PLC	± -
ANGLES	± -

MATERIAL  
SEE CALLOUTS

FINISH  
SEE CALLOUTS

SCALE: 2:1

SHEET: 1 OF 1

REV: G3