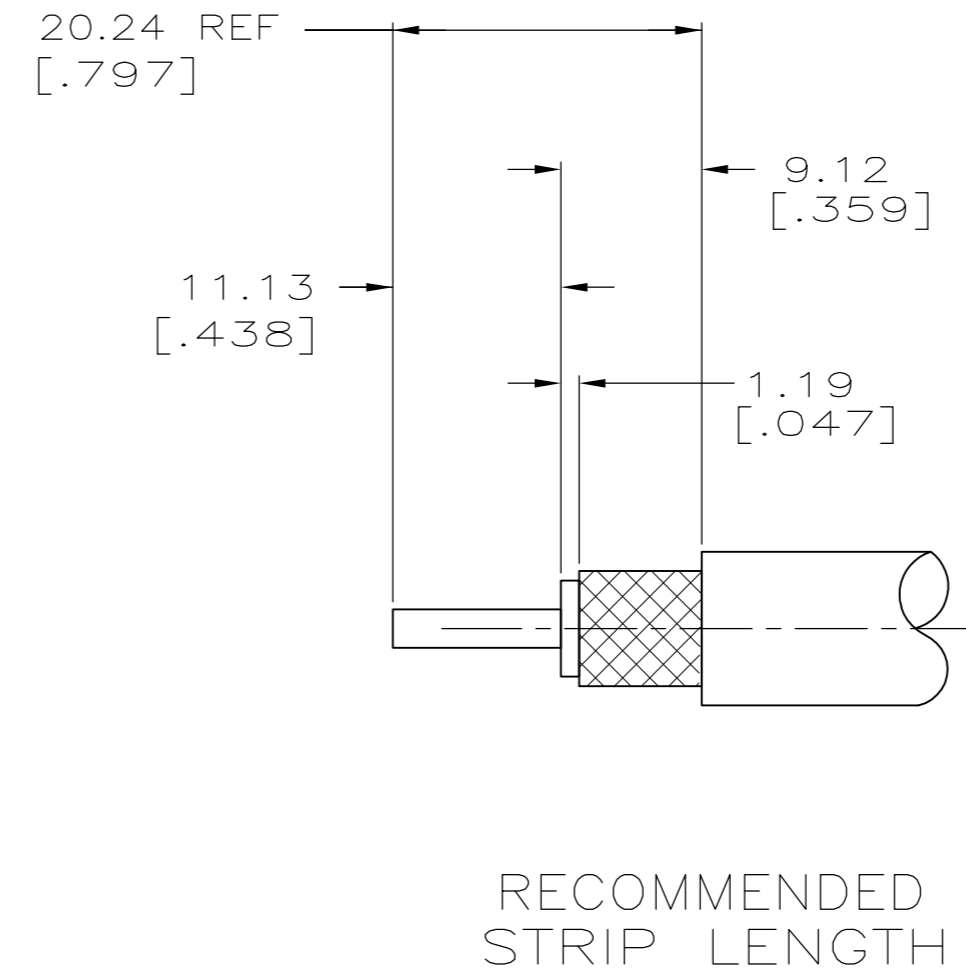
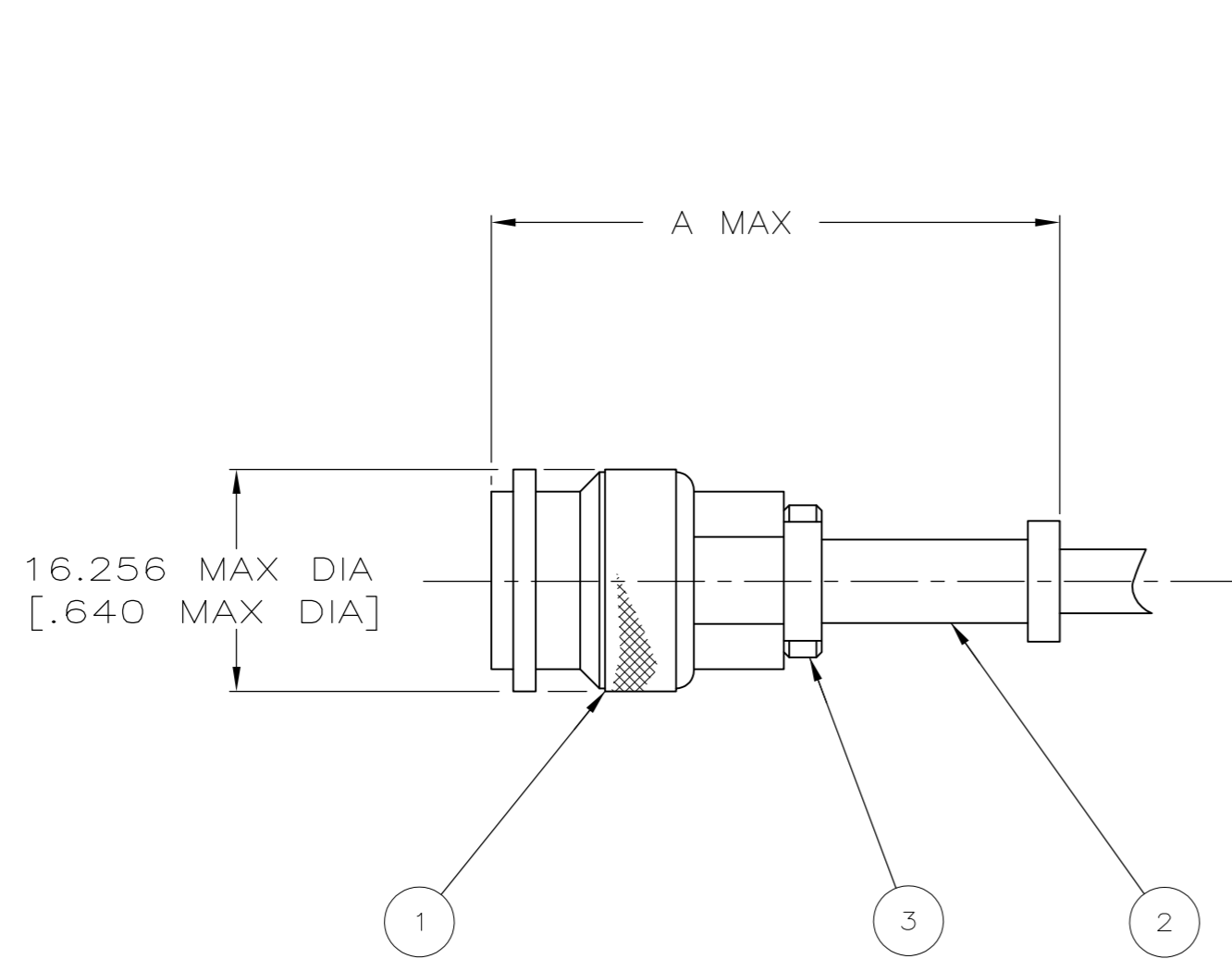


THIS DRAWING IS UNPUBLISHED.
 DIFFUSION RESTREINTE AMP
 © COPYRIGHT BY TYCO ELECTRONICS CORPORATION. ALL INTERNATIONAL RIGHTS RESERVED.
 TOUS DROITS RESERVES.

LOC	DIST	REVISIONS			
P	LTR REV	DESCRIPTION MODIFICATIONS	DATE	DWN DESS	APVD APP
F	7				
	W	REACTIVATE 2-330953-1	17-NOV-04	JJD	-
	W1	ECR-10-022205	01FEB11	KK	HMR

- 1. SEE I.S. 1898
- 2. WEIGHT: .666 OZ.

- △4 WEIGHT: .68 OZ
- △5 SUPERSEDED BY 2-330953-3



△5	△4	OBSOLETE	40.64 [1.600]	69376-3	RG-223/U	330932	1-330927-0	330951	5-330953-1
		SUPERSEDED BY 225550-1	40.64 [1.600]	69376-3	RG-55/U,55A/U,55B/U & 223/U	330932	1-330927-0	330951	2-330953-3
		OBSOLETE	38.99 [1.535]	69376	RG-142/U,142A/U, & 142B/U	1-330932-0	226696-1	330951	2-330953-2
			40.64 [1.600]	69376-3	RG-141/U & 141A/U	1-330932-0	330927	330951	2-330953-1
		OBSOLETE	40.64 [1.600]	69376-3(ALL SIZES),69376-1(RG-58C/U ONLY)	RG-58/U,58B/U, & 58C/U	330932	330927	330951	330953
			A	CRIMPING TOOL	FOR USE WITH CABLE	③ CRIMP END QTY=1	② FERRULE QTY=1	① PLUG ASSY QTY=1	PART NUMBER

THIS DRAWING IS A CONTROLLED DOCUMENT. CE SCHÉMA EST UN DOCUMENT CONTROLÉ		DWN/DESSINE JJ.DESPRETZ 17-NOV-04	Tyco Electronics Tyco Electronics FRANCE SAS BP 39, 95301 CERGY-PONTOISE CEDEX	
DIMENSIONS: mm		CHK/VERIFIE Y.PETRONIN	NAME TITRE	
TOLERANCES UNLESS OTHERWISE SPECIFIED: TOLERANCES NON SPECIFIEES (SUIV NB DE DECIMALES):		APVD/APPROUVE Y.PETRONIN	PRODUCT SPEC SPEC. PRODUIT	
1-PLC/ZDEC ± 0.41		108-12001		
2-PLC/ZDEC -		APPLICATION SPEC SPEC. APPLICATION		
3-PLC/ZDEC -		408-9566		
4-PLC/ZDEC -		WEIGHT MASSE APPROX. -		
ANGLES ± -		SIZE FORMAT A2		
MATERIAL MATIERE -		CAGE CODE 00779		DRAWING NO No PLAN C=330953
FINISH FINITION -		UNIQUEMENT POUR REFERENCE		RESTRICTED TO -
		SCALE ECHELLE 1:1		SHEET FEUILLE 1 OF 1 DE 1
		CUSTOMER DRAWING/PLAN CLIENT		REV W1