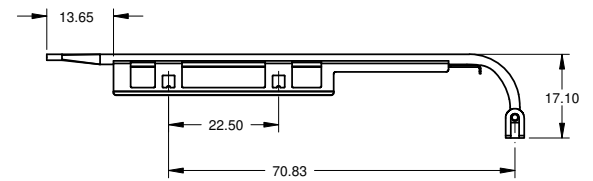
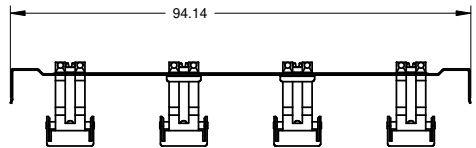
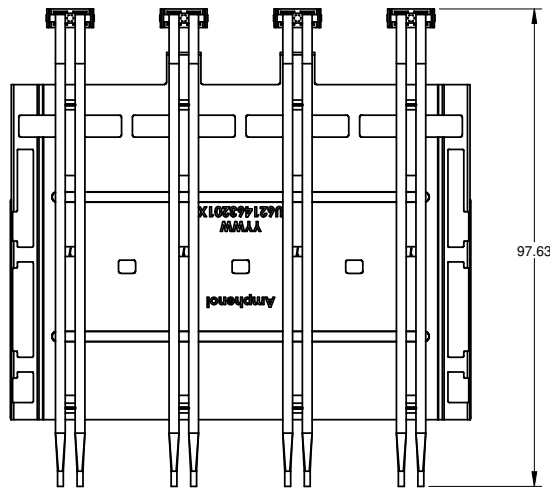
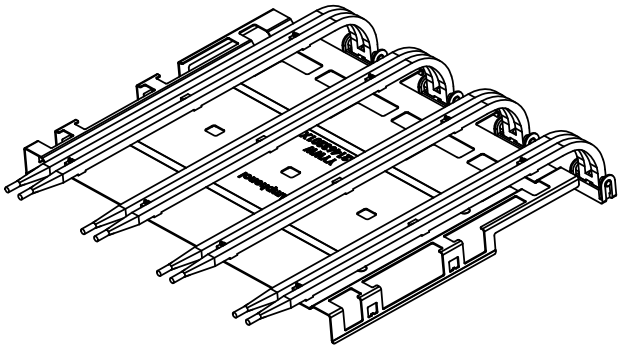


8 7 6 5 4 3 2 1

REVISIONS				
REV.	ECN	DESCRIPTION	DATE	APPROVED
A		PROPOSAL	OCT24,17	J.SI



- NOTES:
- 1) MATERIAL:
 - LIGHT PIPE: CLEAR POLYCARBONATE
 - LIGHT PIPE COVER: HIGH TEMP PLASTIC UL94-V0
 - LIGHT PIPE BRACKET: CLIP: STAINLESS STEEL
 - 2) PACKAGING: TRAY PACKAGING.
 - 3) AMPHENOL PART NUMBER: U62-1463-2012P



DO NOT SCALE DRAWING

THIS DOCUMENT CONTAINS PROPRIETARY INFORMATION AND SUCH INFORMATION MAY NOT BE DISCLOSED TO OTHERS FOR ANY PURPOSE OR USED FOR MANUFACTURING PURPOSES WITHOUT PERMISSION FROM AMPHENOL CANADA CORP.

UNLESS OTHERWISE SPECIFIED DIMENSIONS ARE IN MILLIMETERS TOLERANCES ARE:	APPROVALS	DATE	Amphenol High Speed Interconnects A Division of Amphenol Corp. www.amphenol-hihspeed.com		
	DRAWN Mike. H	OCT24,17	TITLE		
DECIMALS: XX ± 0.25 ANGLES: ± 0.5° X.XX ± 0.15	DESIGNED		1X4 OSFP LIGHT PIPE ASSEMBLY		
MATERIAL AND FINISH	CHECKED Chigov.X	OCT24,17	GA APPD		
SEE NOTE 1					
REF:	EAPPD		SIZE A3	DWG. NO. P-U62-1463-2012P	REV. A
CODE IDENT NO. 03554	DWG APPD J.SI	OCT24,17	SCALE 1:1	PROJECT UE62	SHEET 1 OF 1

8 7 6 5 4 3 2 1