

ITEM	PART#	DESCRIPTION	QTY	UOM
A	9508060	KK 156 Crimp Housing 06 Ckt	1	PC
B	8500105	KK 156 TERMINAL CRIMP 18-24 AWG TIN	6	PC
C		PAPER PRINTED PAPER WHITE	1	PC

FROM	TO	DESCRIPTION	COLOR
A1	--	1X18AWG MPPE BK UL11028	BLACK
A2	--	1X18AWG MPPE BK UL11028	BLACK
A3	--	1X18AWG MPPE BK UL11028	BLACK
A4	--	1X18AWG MPPE BK UL11028	BLACK
A5	--	1X18AWG MPPE BK UL11028	BLACK
A6	--	1X18AWG MPPE BK UL11028	BLACK

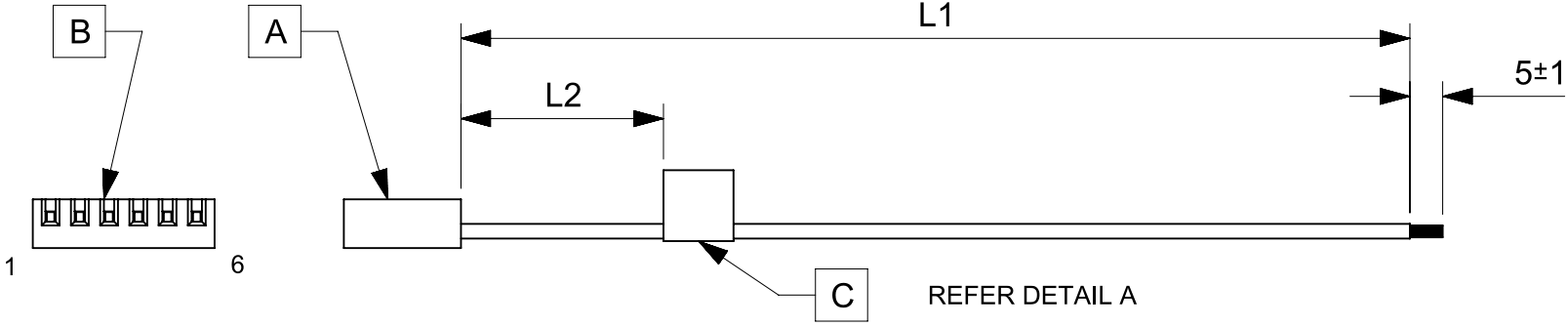


TABLE			
PART NUMBER	L1	L2 (REF)	TITLE
2196651062	150±4	50	KK 3.96 R-S 6ckt 150mm disc Sn
2196651063	300±4	50	KK 3.96 R-S 6ckt 300mm disc Sn
2196651064	600±6	50	KK 3.96 R-S 6ckt 600mm disc Sn

- NOTES**
- Connector view shown is from mating side.
 - Label text must be 2mm max. in height with Arial font.
 - Label must be wrapped in Flag type on a single cable.
 - Free ends must be stripped, twisted & tinned. The length of tinning is 5±1mm. Tinning Dia must be 1.6 mm Max.

MOLEX P/N
MOLEX
BATCH WK/YR
DETAIL A

REVISION			
DATE	REV	DESCRIPTION	CHANGER
2021/12/27	A	INITIAL RELEASE	SAIKIG

FUNCTIONAL SYMBOLS $\nabla_A = 0$ $\nabla_E = 0$ $\nabla_P = 0$ DIVISIONAL SYMBOLS	THIS DRAWING CONTAINS INFORMATION THAT IS PROPRIETARY TO MOLEX ELECTRONIC TECHNOLOGIES, LLC AND SHOULD NOT BE USED WITHOUT WRITTEN PERMISSION		CURRENT REV DESC:		 SEE TABLE PRODUCT CUSTOMER DRAWING
	DIMENSION UNITS	SCALE	EC NO: 691733		
	mm	NTS	DRWN: SAIKIG 2021/12/29		
	GENERAL TOLERANCES (UNLESS SPECIFIED)		CHK'D: MNARAYAN01 2022/01/19		
ANGULAR TOL ± °		APPR: MNARAYAN01 2022/01/19		INITIAL REVISION:	
4 PLACES ±		DRWN: SAIKIG 2021/12/29		DOCUMENT NUMBER	
3 PLACES ±		APPR: MNARAYAN01 2022/01/19		2196651062	
2 PLACES ±		INITIAL REVISION:		DOC TYPE	
1 PLACE ±		DRWN: SAIKIG 2021/12/29		PSD	
0 PLACES ±		APPR: MNARAYAN01 2022/01/19		DOC PART	
DRAFT WHERE APPLICABLE MUST REMAIN WITHIN DIMENSIONS		THIRD ANGLE PROJECTION		000	
		DRAWING		REVISION	
		A4-SIZE		A	
		SERIES		SHEET NUMBER	
		219665		1 OF 1	
		MATERIAL NUMBER		CUSTOMER	
		SEE TABLE		GENERAL MARKET	