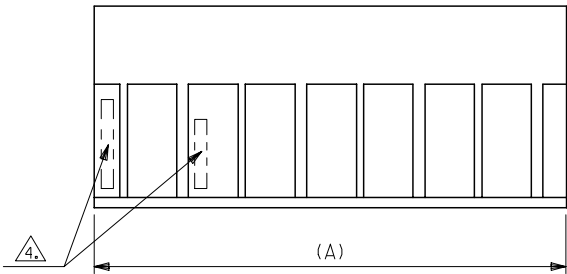
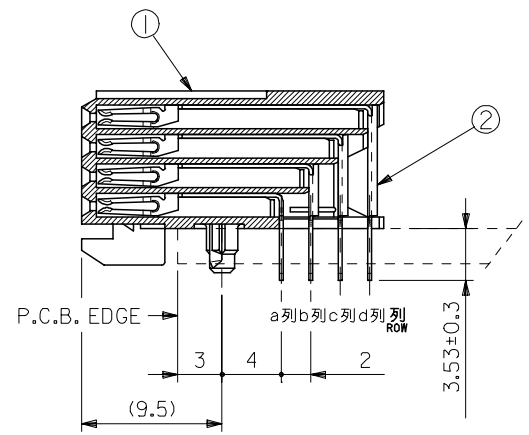
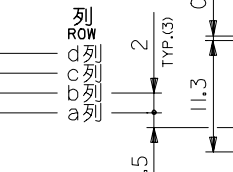
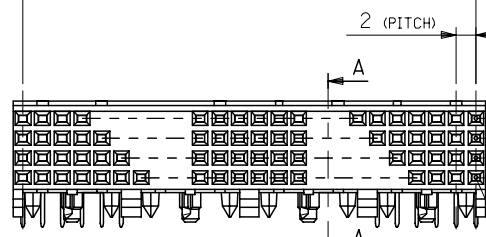


10 9 8 7 6 5 4 3 2 1

| 番号 No. | 部品 PART NAME | 材質 MATERIAL | 仕上げ FINISH |
|-----------|-------------------------------------|--|---------------|
| ① | リセプタクル ハウジング RECEPTACLE HOUSING | 液晶ポリマー、ガラス充填、自然色(白)、UL94V-0 LIQUID CRYSTAL POLYMER, GLASS FILLED, NATURAL(WHITE), UL94V-0 | — |
| ② | リセプタクル ターミナル RECEPTACLE TERMINAL | リン青銅 PHOSPHOR BRONZE | △ |



(PIN/ROW - 1) x PITCH = (B)

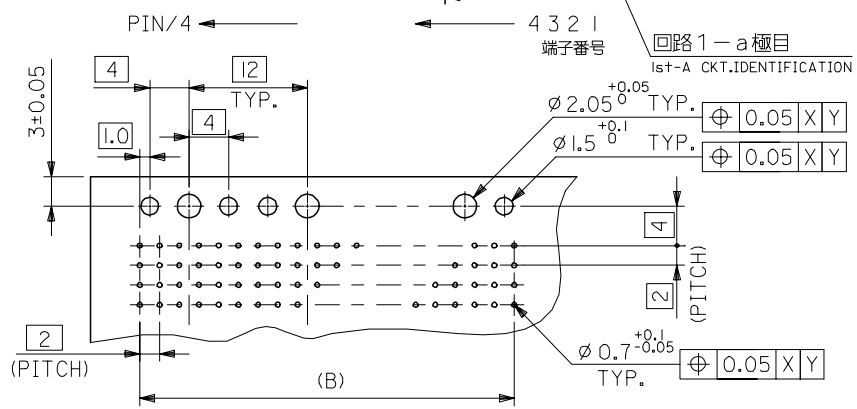


A-A
(NON-SCALE)

注記
NOTE :

- △ ターミナル めっき仕様
TERMINAL PLATING
金めっき: 0.76 μm MIN. (接点部)
GOLD: 0.76 μm MIN. (CONTACT AREA)
TIN: 1.0~2.5 μm (半田付け部)
SOLDER AREA)
ニッケルメッキ: 2.0 μm MIN. (下地めっき)
NICKEL: 2.0 μm MIN. (UNDER PLATING)
- 2. 推奨基板厚: t=2.4mm
RECOMMENDED P.C.B. THICKNESS: t=2.4mm
- 3. 適合プラグ: 53901-***5, 55222-***5, 55089-***5
APPLICABLE PLUG:
- △ 製品番号及びロットナンバー
MATERIAL NO. & LOT NO.

| | | | |
|-----|--------|--------------|-----|
| 106 | 107.98 | 54867-2169 | 216 |
| 94 | 95.98 | 54867-1929 | 192 |
| 58 | 59.98 | 54867-1209 | 120 |
| 10 | 11.98 | 54867-0249 | 24 |
| B | A | MATERIAL NO. | PIN |



基板穴推奨寸法 (部品実装)

RECOMMENDED P.C.B. LAYOUT (COMPONENT SIDE)

| MODIFICATION | QUALITY SYMBOLS | GENERAL TOLERANCES (UNLESS SPECIFIED) | | DIMENSION STYLE | | SCALE | | DESIGN UNITS | | THIRD ANGLE PROJECTION | |
|------------------------------|-----------------|--|------|---|------------|---------|---------|--------------|---------|------------------------|------|
| | | mm | INCH | MM ONLY | DATE | MM ONLY | METRIC | MM ONLY | METRIC | MM ONLY | DATE |
| EC NO: S150000070575 | ▽=0 | 4 PLACES | ±--- | ±--- | DRAWN BY | MM ONLY | MM ONLY | MM ONLY | MM ONLY | MM ONLY | DATE |
| DRWN: Felix Wang 2007/01/11 | ▽=0 | 3 PLACES | ±--- | ±--- | DATE | MM ONLY | MM ONLY | MM ONLY | MM ONLY | MM ONLY | DATE |
| CHKD: Harvey Wang 2007/01/11 | | 2 PLACES | ±--- | ±--- | CHECKED BY | MM ONLY | MM ONLY | MM ONLY | MM ONLY | MM ONLY | DATE |
| APPR: | | 1 PLACE | ±--- | ±--- | DATE | MM ONLY | MM ONLY | MM ONLY | MM ONLY | MM ONLY | DATE |
| | | ANGULAR ± 1° | | APPROVED BY | | MM ONLY | MM ONLY | MM ONLY | MM ONLY | MM ONLY | DATE |
| | | DRAFT WHERE APPLICABLE MUST REMAIN WITHIN DIMENSIONS | | VINCENT | | MM ONLY | MM ONLY | MM ONLY | MM ONLY | MM ONLY | DATE |
| | | | | MATERIAL NO. | | MM ONLY | MM ONLY | MM ONLY | MM ONLY | MM ONLY | DATE |
| | | | | SEE TABLE | | MM ONLY | MM ONLY | MM ONLY | MM ONLY | MM ONLY | DATE |
| | | | | SIZE A3 | | MM ONLY | MM ONLY | MM ONLY | MM ONLY | MM ONLY | DATE |
| | | | | THIS DRAWING CONTAINS INFORMATION THAT IS PROPRIETARY TO MOLEX INCORPORATED AND SHOULD NOT BE USED WITHOUT WRITTEN PERMISSION | | MM ONLY | MM ONLY | MM ONLY | MM ONLY | MM ONLY | DATE |

MFB B/B CONN
4ROW REC. ASS'Y
DIP TYPE (LEAD FREE)
MOLEX INCORPORATED
SD-54867-005
SHEET NO. 1 OF 1