

32-Bit

Microcontroller

TC39x

32-Bit Single-Chip Microcontroller
BC/BD-Step

32-Bit Single-Chip Microcontroller

Data Sheet

V 1.2, 2021-03

Microcontrollers

Edition 2021-03

**Published by
Infineon Technologies AG
81726 Munich, Germany**

**© 2021 Infineon Technologies AG
All Rights Reserved.**

Legal Disclaimer

The information given in this document shall in no event be regarded as a guarantee of conditions or characteristics. With respect to any examples or hints given herein, any typical values stated herein and/or any information regarding the application of the device, Infineon Technologies hereby disclaims any and all warranties and liabilities of any kind, including without limitation, warranties of non-infringement of intellectual property rights of any third party.

Information

For further information on technology, delivery terms and conditions and prices, please contact the nearest Infineon Technologies Office (www.infineon.com)

Warnings

Due to technical requirements, components may contain dangerous substances. For information on the types in question, please contact the nearest Infineon Technologies Office.

Infineon Technologies components may be used in life-support devices or systems only with the express written approval of Infineon Technologies, if a failure of such components can reasonably be expected to cause the failure of that life-support device or system or to affect the safety or effectiveness of that device or system. Life support devices or systems are intended to be implanted in the human body or to support and/or maintain and sustain and/or protect human life. If they fail, it is reasonable to assume that the health of the user or other persons may be endangered.

Revision History

Page or Item	Subjects (major changes since previous revision)
V 0.4, 2015-05	
	Version 0.4 is the first version of this document
V 0.6, 2017-09	
	The history is documented in the last chapter
V 0.7, 2018-07	
	The history is documented in the last chapter
V 1.0, 2018-10	
	The history is documented in the last chapter
V 1.1, 2019-09	
	The history is documented in the last chapter
V 1.2, 2021-03	
	The history is documented in the last chapter

Trademarks of Infineon Technologies AG

AURIX™, C166™, CanPAK™, CIPOS™, CIPURSE™, EconoPACK™, CoolMOS™, CoolSET™, CORECONTROL™, CROSSAVE™, DAVE™, DI-POL™, EasyPIM™, EconoBRIDGE™, EconoDUAL™, EconoPIM™, EconoPACK™, EiceDRIVER™, eupec™, FCOS™, HITFET™, HybridPACK™, I²RF™, ISOFACE™, IsoPACK™, MIPAQ™, ModSTACK™, my-d™, NovalithIC™, OptiMOS™, ORIGA™, POWERCODE™; PRIMARION™, PrimePACK™, PrimeSTACK™, PRO-SIL™, PROFET™, RASIC™, ReverSave™, SatRIC™, SIEGET™, SINDRION™, SIPMOS™, SmartLEWIS™, SOLID FLASH™, TEMPFET™, thinQ!™, TRENCHSTOP™, TriCore™.

Other Trademarks

Advance Design System™ (ADS) of Agilent Technologies, AMBA™, ARM™, MULTI-ICE™, KEIL™, PRIMECELL™, REALVIEW™, THUMB™, μ Vision™ of ARM Limited, UK. AUTOSAR™ is licensed by AUTOSAR development partnership. Bluetooth™ of Bluetooth SIG Inc. CAT-iq™ of DECT Forum. COLOSSUS™, FirstGPS™ of Trimble Navigation Ltd. EMV™ of EMVCo, LLC (Visa Holdings Inc.). EPCOS™ of Epcos AG. FLEXGO™ of Microsoft Corporation. FlexRay™ is licensed by FlexRay Consortium. HYPERTERMINAL™ of Hilgraeve Incorporated. IEC™ of Commission Electrotechnique Internationale. IrDA™ of Infrared Data Association Corporation. ISO™ of INTERNATIONAL ORGANIZATION FOR STANDARDIZATION. MATLAB™ of MathWorks, Inc. MAXIM™ of Maxim Integrated Products, Inc. MICROTEC™, NUCLEUS™ of Mentor Graphics Corporation. MIPI™ of MIPI Alliance, Inc. MIPS™ of MIPS Technologies, Inc., USA. muRata™ of MURATA MANUFACTURING CO., MICROWAVE OFFICE™ (MWO) of Applied Wave Research Inc., OmniVision™ of OmniVision Technologies, Inc. Openwave™ Openwave Systems Inc. RED HAT™ Red Hat, Inc. RFMD™ RF Micro Devices, Inc. SIRIUS™ of Sirius Satellite Radio Inc. SOLARIS™ of Sun Microsystems, Inc. SPANSION™ of Spansion LLC Ltd. Symbian™ of Symbian Software Limited. TAIYO YUDEN™ of Taiyo Yuden Co. TEAKLITE™ of CEVA, Inc. TEKTRONIX™ of Tektronix Inc. TOKO™ of TOKO KABUSHIKI KAISHA TA. UNIX™ of X/Open Company Limited. VERILOG™, PALLADIUM™ of Cadence Design Systems, Inc. VLYNQ™ of Texas Instruments Incorporated. VXWORKS™, WIND RIVER™ of WIND RIVER SYSTEMS, INC. ZETEX™ of Diodes Zetex Limited.

Last Trademarks Update 2011-11-11

Table of Contents

1	Summary of Features	7
2	Pin Definition and Functions:	12
2.1	LFBGA-516 Package Variant Pin Configuration	15
2.2	LFBGA-292 Package Variant Pin Configuration	173
2.3	LFBGA-292 ADAS Package Variant Pin Configuration	277
2.4	Sequence of Pads in Pad Frame	376
2.5	Legend	403
3	Electrical Specification	405
3.1	Parameter Interpretation	405
3.2	Absolute Maximum Ratings	406
3.3	Pin Reliability in Overload	407
3.4	Operating Conditions	410
3.5	5 V / 3.3 V switchable Pads	413
3.6	High performance LVDS Pads	432
3.7	VADC Parameters	435
3.8	DSADC Parameters	439
3.9	MHz Oscillator	442
3.10	Back-up Clock	444
3.11	Temperature Sensor	445
3.12	Power Supply Current	446
3.12.1	Calculating the 1.25 V Current Consumption	452
3.13	Power Supply Infrastructure and Supply Start-up	453
3.13.1	Supply Ramp-up and Ramp-down Behavior	454
3.13.1.1	Single Supply mode (a)	454
3.13.1.2	Single Supply mode (e)	456
3.13.1.3	External Supply mode (d)	458
3.13.1.4	External Supply mode (h)	460
3.14	Reset Timing	462
3.15	EVR	465
3.16	System Phase Locked Loop (SYS_PLL)	473
3.17	Peripheral Phase Locked Loop (PER_PLL)	474
3.18	AC Specifications	475
3.19	JTAG Parameters	476
3.20	DAP Parameters	478
3.21	ASCLIN SPI Master Timing	480
3.22	QSPI Timings, Master and Slave Mode	482
3.23	MSC Timing 5 V Operation	486
3.24	Ethernet Interface (ETH) Characteristics	488
3.24.1	ETH Measurement Reference Points	488
3.24.2	ETH Management Signal Parameters (ETH_MDC, ETH_MDIO)	489
3.24.3	ETH MII Parameters	490
3.24.4	ETH RMII Parameters	491
3.24.5	ETH RGMII Parameters	492
3.25	E-Ray Parameters	493
3.26	HSCT Parameters	495
3.27	Inter-IC (I2C) Interface Timing	497
3.28	SDMMC Interface Timing	500
3.29	FSP Parameter	501

3.30	Radar Interface Timing	502
3.31	EBU Timings	503
3.31.1	BFCLKO Output Clock Timing	503
3.31.2	EBU Asynchronous Timings	503
3.31.3	EBU Burst Mode Access Timing	507
3.31.4	EBU Arbitration Signal Timing	509
3.32	Flash Target Parameters	510
3.33	Quality Declarations	515
3.34	Package Outline	517
3.34.1	Package Parameters	518
4	History	519
4.1	Changes from Version 0.4 to Version 0.6	519
4.2	Changes from Version 0.6 to Version 0.7	529
4.3	Changes from Version 0.7 to Version 1.0	535
4.4	Changes from Version 1.0 to Version 1.1	541
4.5	Changes from Version 1.1 to Version 1.2	542

1 Summary of Features

The TC39x product family has the following features:

- High Performance Microcontroller with six CPU cores
- Six 32-bit super-scalar TriCore CPUs (TC1.6.2P), each having the following features:
 - Superior real-time performance
 - Strong bit handling
 - Fully integrated DSP capabilities
 - Multiply-accumulate unit able to sustain 2 MAC operations per cycle
 - Fully pipelined Floating point unit (FPU)
 - up to 300 MHz operation at full temperature range
 - up to 240/96 Kbyte Data Scratch-Pad RAM (DSPR)
 - up to 64 Kbyte Instruction Scratch-Pad RAM (PSPR)
 - up to 64 Kbyte Data RAM (DLMU)
 - 32 Kbyte Instruction Cache (ICACHE)
 - 16 Kbyte Data Cache (DCACHE)
- Lockstepped shadow cores for four TC1.6.2P
- Multiple on-chip memories
 - All embedded NVM and SRAM are ECC protected
 - up to 16 Mbyte Program Flash Memory (PFLASH)
 - up to 1 Mbyte Data Flash Memory (DFLASH 0) usable for EEPROM emulation
 - 768 Kbyte Memory (LMU)
 - BootROM (BROM)
- 128-Channel DMA Controller with safe data transfer
- Sophisticated interrupt system (ECC protected)
- High performance on-chip bus structure
 - 64-bit Cross Bar Interconnect (SRI) giving fast parallel access between bus masters, CPUs and memories
 - 32-bit System Peripheral Bus (SPB) for on-chip peripheral and functional units
 - SRI to SPB bus bridges (SFI Bridge)
- Optional Hardware Security Module (HSM) on some variants
- Safety Management Unit (SMU) handling safety monitor alarms
- Memory Test Unit with ECC, Memory Initialization and MBIST functions (MTU)
- Hardware I/O Monitor (IOM) for checking of digital I/O
- Versatile On-chip Peripheral Units
 - 8 Asynchronous/Synchronous Serial Channels (ASCLIN) with hardware LIN support (V1.3, V2.0, V2.1 and J2602) up to 50 MBaud
 - 6 Queued SPI Interface Channels (QSPI) with master and slave capability up to 50 Mbit/s
 - 2 High Speed Serial Link (HSSL) for serial inter-processor communication up to 320 Mbit/s
 - 4 serial Micro Second Bus interfaces (MSC) for serial port expansion to external power devices
 - 3 MCMCAN Modules with 4 CAN nodes for high efficiency data handling via FIFO buffering
 - 25 Single Edge Nibble Transmission (SENT) channels for connection to sensors
 - 2 FlexRay™ module with 2 channels (E-Ray) supporting V2.1

Summary of Features

- One Generic Timer Module (GTM) providing a powerful set of digital signal filtering and timer functionality to realize autonomous and complex Input/Output management
- One Capture / Compare 6 module (Two kernels CCU60 and CCU61)
- One General Purpose 12 Timer Unit (GPT120)
- 4 channel Peripheral Sensor Interface conforming to V1.3 (PSI5)
- 1 Peripheral Sensor Interface with Serial PHY (PSI5-S)
- 2 Inter-Integrated Circuit Bus Interface (I2C) conforming to V2.1
- 1 IEEE802.3 Ethernet MAC with RMII and MII interfaces (ETH)
- 1 external Bus interface (EBU)
- Versatile Successive Approximation ADC (VADC)
 - Cluster of 20 independent ADC kernels
 - Input voltage range from 0 V to 5.5V (ADC supply)
- Delta-Sigma ADC (DSADC)
 - 14 channels
- Digital programmable I/O ports
- On-chip debug support for OCDS Level 1 (CPUs, DMA, On Chip Buses)
- multi-core debugging, real time tracing, and calibration
- four/five wire JTAG (IEEE 1149.1) or DAP (Device Access Port) interface
- Power Management System and on-chip regulators
- Clock Generation Unit with System PLL and Peripheral PLL
- Embedded Voltage Regulator
- Qualified for automotive application according to AEC-Q100 (only applicable after delivery release of the corresponding sales codes)
- ISO 26262 Safety Element out of Context for safety requirements up to ASIL D (only applicable for sales codes listed within a released Safety Package Release Note from IFX)

Ordering Information

The ordering code for Infineon microcontrollers provides an exact reference to the required product. This ordering code identifies:

- The derivative itself, i.e. its function set, the temperature range, and the supply voltage
- The package and the type of delivery.

Table 1-1 Platform Feature Overview

Feature	TC39x	
CPUs	Type	TC1.6.2
	Cores / Checker Cores	6 / 4
	Max. Freq.	300 MHz
Cache per CPU	Program	32 KB
	Data	16 KB
SRAM per CPU	PSPR	64 KB
	DSPR	240 KB for CPU0,1/ 96 KB else
	DLMU	64 KB
SRAM global	LMU	768 KB
	DAM	128 KB
Extension Memory	TCM	2 MB
	XCM	2 MB
	XTM	16 KB
Program Flash	Size	16 MB
	Banks	5 x 3 MB, 1 x 1 MB
Data Flash	Size (single-ended)	1 MB (DF0) + 128 KB (DF1)
DMA	Channels	128
CONVCTRL	Modules	1
EVADC	Primary Groups/Channels	8 / 64
	Secondary Groups/Channels	4 / 64
	Fast Compare Channels	8
EDSADC	Channels	14

Table 1-1 Platform Feature Overview (cont'd)

Feature		TC39x
GTM	Clusters	12 (5 @ 200MHz, 7 @ 100MHz)
	TIM (8 ch)	8
	TOM (16 ch)	6
	ATOM (8 ch)	12
	MCS (8 ch)	10
	CMU / ICM	1 / 1
	PSM	3
	TBU channels ¹⁾	4 (TBU0-3)
	SPE	6
	CMP / MON	1 / 1
	BRC / DPLL	1 / 1
	CDTM modules	7
	DTM modules	24 (10 on TOM, 14 on ATOM)
Timer	GPT12	1
	CCU6	1
STM	Modules	6
FlexRay	Modules	2
	Channels	2 x 2
CAN	Modules	3
	Nodes	3 x 4
	of which support TT-CAN	1
QSPI	Modules	6
	HSCI Channels	2
ASCLIN	Modules	12
I2C	Interfaces	2
SENT	Channels	25
PSI5	Modules	4
PSI5-S	Modules	1
HSSL	Channels	2
MSC	Channels	4
EBU	External Bus	1
SDMMC	eMMC/SD Interface	1
Ethernet (10/100Mbit/1Gbit)	Modules	1
FCE	Modules	1
Safety Support	SMU	yes
	IOM	yes
SPU	Modules	2

Table 1-1 Platform Feature Overview (cont'd)

Feature		TC39x
RIF	Modules	2
HSPDM	Modules	1
Security	HSM+	1
Debug	OCDS	yes
	MCDS	yes
	miniMCDS	no
	miniMCDS TRAM	- KB
	AGBT ²⁾	yes
Low Power Features	Standby RAM	2
	SCR	yes
Packages	Type	LFBGA-516 / LFBGA-292
I/O	Type	5 V CMOS / 3.3 V CMOS / LVDS
T _{ambient}	Range	-40 ... +150°C

1) TBU3 has special purpose as angle clock.

2) The Aurora Gigabit Trace Module (AGBT) is a trace interface intended for development use only (not to be used in series production). It is only available on the specific emulation devices with feature package E, T, and on ADAS devices with feature package A, H of the TC39x, TC37xEXT, TC35x, TC33xEXT. AGBT I/O functions are only available for packages with 292 or more pins. For details on AGBT parameters see the "TC3xx Emulation Devices" Data Sheet.

2 Pin Definition and Functions:

The following figures are showing the TC39x Logic Symbols for the package variants:

- LFBGA-516 (Figure 2-1)
- LFBGA-292 (Figure 2-2)
- LFBGA-292 ADAS feature set (Figure 2-3)

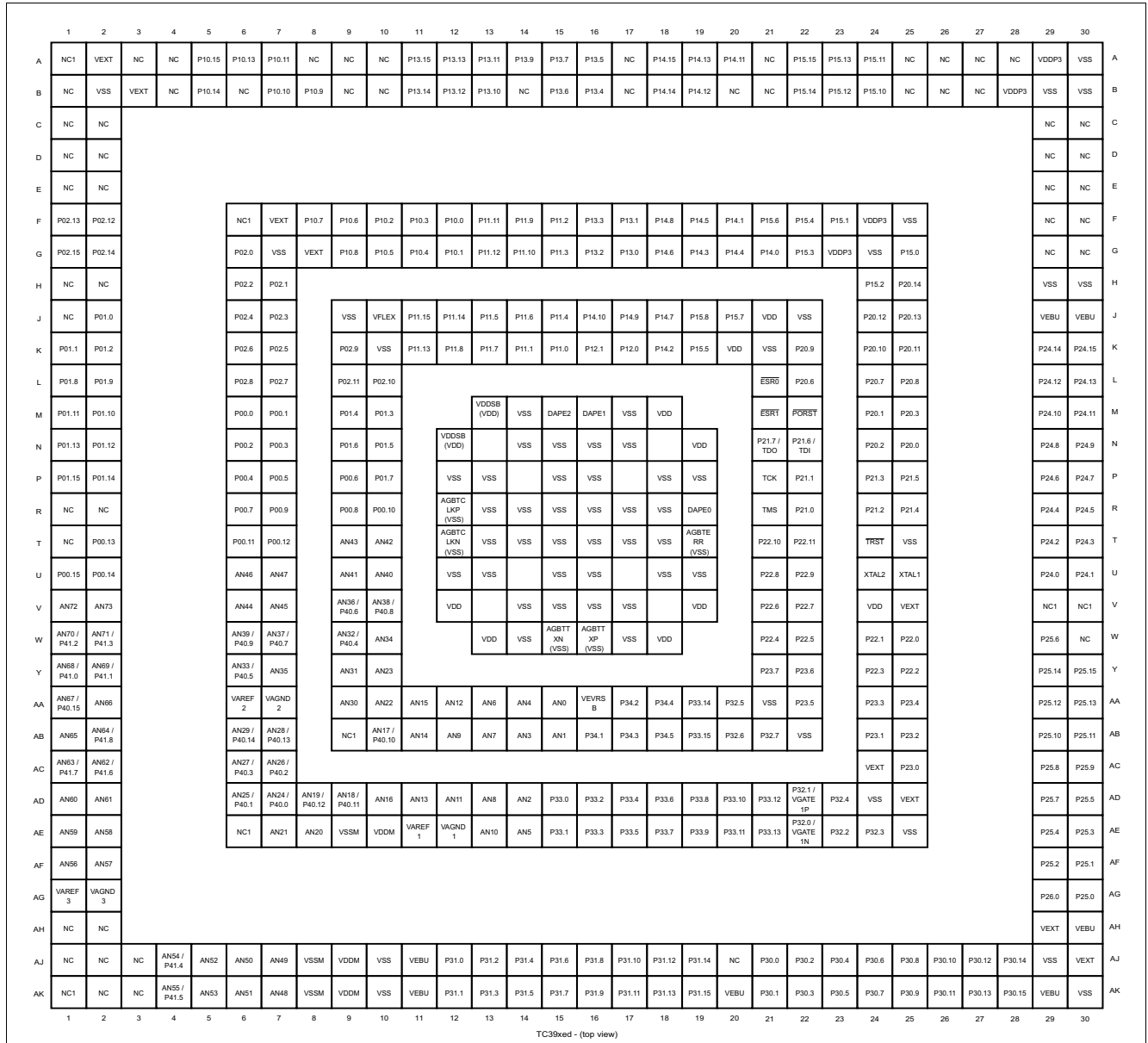


Figure 2-1 Logic Symbol for the package variant LFBGA-516

Pin Definition and Functions:

	1	2	3	4	5	6	7	8	9	10	11	12	13	14	15	16	17	18	19	20
A	NC1	VEXT	P10.7	P10.6	P10.2	P10.3	P10.0	P11.11	P11.9	P11.2	P13.3	P13.1	P14.8	P14.5	P14.1	P15.6	P15.4	P15.1	VDDP3	VSS
B	P02.0	VSS	VEXT	P10.8	P10.5	P10.4	P10.1	P11.12	P11.10	P11.3	P13.2	P13.0	P14.6	P14.3	P14.4	P14.0	P15.3	VDDP3	VSS	P15.0
C	P02.2	P02.1																	P15.2	P20.14
D	P02.4	P02.3		VSS	VFLEX	P11.15	P11.14	P11.5	P11.6	P11.4	P14.10	P14.9	P14.7	P15.8	P15.7	VDD	VSS		P20.12	P20.13
E	P02.6	P02.5		P02.9	VSS	P11.13	P11.8	P11.7	P11.1	P11.0	P12.1	P12.0	P14.2	P15.5	VDD	VSS	P20.9		P20.10	P20.11
F	P02.8	P02.7		P02.11	P02.10											ESR0	P20.6		P20.7	P20.8
G	P00.0	P00.1		P01.4	P01.3			VDDSB (VDD)	VSS	DAPE2	DAPE1	VSS	VDD			ESR1	PORST		P20.1	P20.3
H	P00.2	P00.3		P01.6	P01.5			VDDSB (VDD)		VSS	VSS	VSS	VSS		VDD		P21.7 / TDO	P21.6 / TDI	P20.2	P20.0
J	P00.4	P00.5		P00.6	P01.7			VSS	VSS		VSS	VSS		VSS	VSS		TCK	P21.1	P21.3	P21.5
K	P00.7	P00.9		P00.8	P00.10			AGBTC LKP (VSS)	VSS	VSS	VSS	VSS	VSS	VSS	DAPE0		TMS	P21.0	P21.2	P21.4
L	P00.11	P00.12		AN43	AN42			AGBTC LKN (VSS)	VSS	VSS	VSS	VSS	VSS	VSS	AGBTE RR (VSS)		P22.10	P22.11	TRST	VSS
M	AN46	AN47		AN41	AN40			VSS	VSS		VSS	VSS		VSS	VSS		P22.8	P22.9	XTAL2	XTAL1
N	AN44	AN45		AN36 / P40.6	AN38 / P40.8			VDD		VSS	VSS	VSS	VSS		VDD		P22.6	P22.7	VDD	VEXT
P	AN39 / P40.9	AN37 / P40.7		AN32 / P40.4	AN34			VDD	VSS	AGBTT XN (VSS)	AGBTT XP (VSS)	VSS	VDD				P22.4	P22.5	P22.1	P22.0
R	AN33 / P40.5	AN35		AN31	AN23												P23.7	P23.6	P22.3	P22.2
T	VAREF 2	VAGND 2		AN30	AN22	AN15	AN12	AN6	AN4	AN0	VEVRS B	P34.2	P34.4	P33.14	P32.5	VSS	P23.5	P23.3	P23.4	
U	AN29 / P40.14	AN28 / P40.13		NC1	AN17 / P40.10	AN14	AN9	AN7	AN3	AN1	P34.1	P34.3	P34.5	P33.15	P32.6	P32.7	VSS	P23.1	P23.2	
V	AN27 / P40.3	AN26 / P40.2																VEXT	P23.0	
W	AN25 / P40.1	AN24 / P40.0	AN19 / P40.12	AN18 / P40.11	AN16	AN13	AN11	AN8	AN2	P33.0	P33.2	P33.4	P33.6	P33.8	P33.10	P33.12	P32.1 / VGATE 1P	P32.4	VSS	VEXT
Y	NC1	AN21	AN20	VSSM	VDDM	VAREF 1	VAGND 1	AN10	AN5	P33.1	P33.3	P33.5	P33.7	P33.9	P33.11	P33.13	P32.0 / VGATE 1N	P32.2	P32.3	VSS

TC39xed - (top view)

Figure 2-2 Logic Symbol for the package variant LFBGA-292

Pin Definition and Functions:

	1	2	3	4	5	6	7	8	9	10	11	12	13	14	15	16	17	18	19	20	
A	NC1	VEXT	NC	P51_1 1	P51_9	P51_7	P51_5	P51_3	P51_1	P11.11	P11.9	P11.2	P14.8	P14.5	P14.1	P15.6	P15.4	P15.1	VDDP3	VSS	A
B	NC	VSS	VEXT	P51_1 0	P51_8	P51_6	P51_4	P51_2	P51_0	P11.12	P11.10	P11.3	P14.6	P14.3	P14.4	P14.0	P15.3	VDDP3	VSS	P15.0	B
C	P50_1	P50_0																	P15.2	P20.14	C
D	P50_3	P50_2	VSS	VFLEX	P11.15	P11.14	P11.5	P11.6	P11.4	P14.10	P14.9	P14.7	P15.8	P15.7	VDD	VSS	P20.12	P20.13	D		
E	P50_5	P50_4	P10.0	VSS	P11.13	P11.8	P11.7	P11.1	P11.0	P12.1	P12.0	P14.2	P15.5	VDD	VSS	P20.9	P20.10	P20.11	E		
F	P50_7	P50_6	P10.1	P10.2											ESR0	P20.6	P20.7	P20.8	F		
G	P50_9	P50_8	P10.3	P10.4	VDD				VSS	DAPE2	DAPE1	VSS	VDD	ESR1	PORST	P20.1	P20.3	G			
H	P50_1 1	P50_1 0	P10.5	P10.6	VDD		VSS	VSS	VSS	VSS	VSS	VDD	P21.7 / TDO	P21.6 / TDI	P20.2	P20.0	H				
J	P02.0	P02.1	P10.8	P10.7	VSS	VSS	VSS	VSS	VSS	VSS	VSS	VSS	TCK	P21.1	P21.3	P21.5	J				
K	P02.2	P02.3	P02.4	P02.5	AGBTC LKP (VSS)	VSS	VSS	VSS	VSS	VSS	VSS	DAPE0	TMS	P21.0	P21.2	P21.4	K				
L	P02.6	P00.0	P02.7	P02.8	AGBTC LKN (VSS)	VSS	VSS	VSS	VSS	VSS	VSS	AGBTE RR (VSS)	P22.10	P22.11	TRST	VSS	L				
M	P00.2	P00.1	P00.3	P00.4	VSS	VSS	VSS	VSS	VSS	VSS	VSS	VSS	P22.8	P22.9	XTAL2	XTAL1	M				
N	P00.8	P00.7	P00.6	P00.5	VDD	VSS	VSS	VSS	VSS	VSS	VSS	VDD	P22.6	P22.7	VDD	VEXT	N				
P	P00.10	P00.9	AN47	AN45	VDD		VSS	AGBTT XN (VSS)	AGBTT XP (VSS)	VSS	VDD	P22.4	P22.5	P22.1	P22.0	P					
R	P00.11	P00.12	AN25 / P40.1	AN23											P23.7	P23.6	P22.3	P22.2	R		
T	VAREF 2	VAGND 2	AN24 / P40.0	AN22	AN15	AN12	AN6	AN4	AN0	VEVRS B	P34.2	P34.4	P33.14	P32.5	VSS	P23.5	P23.3	P23.4	T		
U	AN44	AN46	NC1	AN17 / P40.10	AN14	AN9	AN7	AN3	AN1	P34.1	P34.3	P34.5	P33.15	P32.6	P32.7	VSS	P23.1	P23.2	U		
V	AN39 / P40.9	AN37 / P40.7																	VEXT	P23.0	V
W	AN36 / P40.6	AN38 / P40.8	AN19 / P40.12	AN18 / P40.11	AN16	AN13	AN11	AN8	AN2	P33.0	P33.2	P33.4	P33.6	P33.8	P33.10	P33.12	P32.1 / VGATE 1P	P32.4	VSS	VEXT	W
Y	NC1	AN21	AN20	VSSM	VDDM	VAREF 1	VAGND 1	AN10	AN5	P33.1	P33.3	P33.5	P33.7	P33.9	P33.11	P33.13	P32.0 / VGATE 1N	P32.2	P32.3	VSS	Y
	1	2	3	4	5	6	7	8	9	10	11	12	13	14	15	16	17	18	19	20	

TC39xed_adas - (top view)

Figure 2-3 Logic Symbol for the package variant LFBGA-292 ADAS

2.1 LFBGA-516 Package Variant Pin Configuration

Table 2-1 Port 00 Functions

Ball	Symbol	Ctrl.	Buffer Type	Function
M6	P00.0	I	FAST / PU1 / VEXT / ES	General-purpose input
	GTM_TIM5_IN4_10			Mux input channel 4 of TIM module 5
	GTM_TIM3_IN0_1			Mux input channel 0 of TIM module 3
	GTM_TIM2_IN0_1			Mux input channel 0 of TIM module 2
	CCU61_CTRAPA			Trap input capture
	CCU60_T12HRE			External timer start 12
	MSC0_INJ0			Injection signal from port
	GETH_MDIOA			MDIO Input
	P00.0			O0
	GTM_TOUT9	O1	GTM muxed output	
	IOM_REF0_9		Reference input 0	
	ASCLIN3_ASCLK	O2	Shift clock output	
	ASCLIN3_ATX	O3	Transmit output	
	IOM_MON2_15		Monitor input 2	
	IOM_REF2_15		Reference input 2	
	—	O4	Reserved	
	CAN10_TXD	O5	CAN transmit output node 0	
	—	O6	Reserved	
	CCU60_COUT63	O7	T13 PWM channel 63	
	IOM_MON1_6		Monitor input 1	
IOM_REF1_0		Reference input 1		
GETH_MDIO	O	MDIO Output		

Pin Definition and Functions: LFBGA-516 Package Variant Pin Configuration

Table 2-1 Port 00 Functions (cont'd)

Ball	Symbol	Ctrl.	Buffer Type	Function
M7	P00.1	I	SLOW / PU1 / VEXT / ES	General-purpose input
	GTM_TIM5_IN5_11			Mux input channel 5 of TIM module 5
	GTM_TIM3_IN1_1			Mux input channel 1 of TIM module 3
	GTM_TIM2_IN1_1			Mux input channel 1 of TIM module 2
	CCU60_CC60INB			T12 capture input 60
	ASCLIN3_ARXE			Receive input
	EDSADC_DSCIN5A			Modulator clock input, channel 5
	CAN10_RXDA			CAN receive input node 0
	PSI5_RX0A			RXD inputs (receive data) channel 0
	CCU61_CC60INA			T12 capture input 60
	SENT_SENT0B			Receive input channel 0
	EDSADC_DSCIN7B			Modulator clock input, channel 7
	EVADC_G9CH11			AI
	EDSADC_EDS5NA		Negative analog input channel 5, pin A	
	P00.1	O0	General-purpose output	
	GTM_TOUT10	O1	GTM muxed output	
	IOM_REF0_10		Reference input 0	
	ASCLIN3_ATX	O2	Transmit output	
	IOM_MON2_15		Monitor input 2	
	IOM_REF2_15		Reference input 2	
	—	O3	Reserved	
	EDSADC_DSCOUT5	O4	Modulator clock output	
	EDSADC_DSCOUT7	O5	Modulator clock output	
	SENT_SPC0	O6	Transmit output	
	CCU61_CC60	O7	T12 PWM channel 60	
	IOM_MON1_8		Monitor input 1	
	IOM_REF1_13		Reference input 1	

Pin Definition and Functions: LFBGA-516 Package Variant Pin Configuration

Table 2-1 Port 00 Functions (cont'd)

Ball	Symbol	Ctrl.	Buffer Type	Function
N6	P00.2	I	SLOW / PU1 / VEXT / ES1	General-purpose input
	GTM_TIM5_IN6_11			Mux input channel 6 of TIM module 5
	GTM_TIM3_IN1_2			Mux input channel 1 of TIM module 3
	GTM_TIM2_IN1_2			Mux input channel 1 of TIM module 2
	EDSADC_DSDIN7B			Digital datastream input, channel 7
	EDSADC_DSDIN5A			Digital datastream input, channel 5
	SENT_SENT1B			Receive input channel 1
	EVADC_G9CH10			AI
	EDSADC_EDS5PA		Positive analog input channel 5, pin A	
	P00.2	O0	General-purpose output	
	GTM_TOUT11	O1	GTM muxed output	
	IOM_REF0_11		Reference input 0	
	ASCLIN3_ASCLK	O2	Shift clock output	
	CAN21_TXD	O3	CAN transmit output node 1	
	PSI5_TX0	O4	TXD outputs (send data)	
	IOM_MON1_14		Monitor input 1	
	IOM_REF1_14		Reference input 1	
	CAN03_TXD	O5	CAN transmit output node 3	
	IOM_MON2_8		Monitor input 2	
	IOM_REF2_8		Reference input 2	
	QSPI3_SLSO4	O6	Master slave select output	
	CCU61_COUT60	O7	T12 PWM channel 60	
	IOM_MON1_11		Monitor input 1	
	IOM_REF1_10		Reference input 1	

Pin Definition and Functions: LFBGA-516 Package Variant Pin Configuration

Table 2-1 Port 00 Functions (cont'd)

Ball	Symbol	Ctrl.	Buffer Type	Function
N7	P00.3	I	SLOW / PU1 / VEXT / ES1	General-purpose input
	GTM_TIM5_IN7_10			Mux input channel 7 of TIM module 5
	GTM_TIM3_IN2_1			Mux input channel 2 of TIM module 3
	GTM_TIM2_IN2_1			Mux input channel 2 of TIM module 2
	CCU60_CC61INB			T12 capture input 61
	EDSADC_DSCIN3A			Modulator clock input, channel 3
	EDSADC_ITR5F			Trigger/Gate input, channel 5
	PSI5_RX1A			RXD inputs (receive data) channel 1
	CAN03_RXDA			CAN receive input node 3
	CAN21_RXDA			CAN receive input node 1
	PSI5S_RXA			RX data input
	SENT_SENT2B			Receive input channel 2
	CCU61_CC61INA			T12 capture input 61
	EVADC_G9CH9	AI	Analog input channel 9, group 9	
	EDSADC_EDS5NB		Negative analog input channel 5, pin B	
	P00.3	O0	General-purpose output	
	GTM_TOUT12	O1	GTM muxed output	
	IOM_REF0_12		Reference input 0	
	ASCLIN3_ASLSO	O2	Slave select signal output	
	—	O3	Reserved	
	EDSADC_DSCOUT3	O4	Modulator clock output	
	—	O5	Reserved	
	SENT_SPC2	O6	Transmit output	
CCU61_CC61	O7	T12 PWM channel 61		
IOM_MON1_9		Monitor input 1		
IOM_REF1_12		Reference input 1		

Pin Definition and Functions: LFBGA-516 Package Variant Pin Configuration

Table 2-1 Port 00 Functions (cont'd)

Ball	Symbol	Ctrl.	Buffer Type	Function	
P6	P00.4	I	SLOW / PU1 / VEXT / ES1	General-purpose input	
	GTM_TIM6_IN4_1			Mux input channel 4 of TIM module 6	
	GTM_TIM3_IN3_1			Mux input channel 3 of TIM module 3	
	GTM_TIM2_IN3_1			Mux input channel 3 of TIM module 2	
	SCU_E_REQ2_2			ERU Channel 2 inputs 0 to 5 (0 is the LSB and 5 is the MSB)	
	SENT_SENT3B			Receive input channel 3	
	EDSADC_DSDIN3A			Digital datastream input, channel 3	
	EDSADC_SGNA			Carrier sign signal input	
	ASCLIN10_ARXA			Receive input	
	GTM_DTMA5_0			CDTM5_DTM4	
	GTM_DTMT3_0			CDTM3_DTM0	
	EVADC_G9CH8			AI	Analog input channel 8, group 9
	EDSADC_EDS5PB				Positive analog input channel 5, pin B
	P00.4	O0	General-purpose output		
	GTM_TOUT13	O1	GTM muxed output		
	IOM_REF0_13		Reference input 0		
	PSI5S_TX	O2	TX data output		
	CAN11_TXD	O3	CAN transmit output node 1		
	PSI5_TX1	O4	TXD outputs (send data)		
	IOM_MON1_15		Monitor input 1		
	EVADC_FC4BFLOUT	O5	Boundary flag output, FC channel 4		
	SENT_SPC3	O6	Transmit output		
	CCU61_COUT61	O7	T12 PWM channel 61		
IOM_MON1_12		Monitor input 1			
IOM_REF1_9		Reference input 1			

Pin Definition and Functions: LFBGA-516 Package Variant Pin Configuration

Table 2-1 Port 00 Functions (cont'd)

Ball	Symbol	Ctrl.	Buffer Type	Function
P7	P00.5	I	SLOW / PU1 / VEXT / ES1	General-purpose input
	GTM_TIM3_IN4_1			Mux input channel 4 of TIM module 3
	GTM_TIM3_IN0_11			Mux input channel 0 of TIM module 3
	GTM_TIM2_IN4_1			Mux input channel 4 of TIM module 2
	CCU60_CC62INB			T12 capture input 62
	EDSADC_DSCIN2A			Modulator clock input, channel 2
	PSI5_RX2A			RXD inputs (receive data) channel 2
	CCU61_CC62INA			T12 capture input 62
	SENT_SENT4B			Receive input channel 4
	CAN11_RXDB			CAN receive input node 1
	GTM_DTMT1_1			CDTM1_DTM0
	GTM_DTMT4_2			CDTM4_DTM0
	EVADC_G9CH7			AI
	P00.5	O0	General-purpose output	
	GTM_TOUT14	O1	GTM muxed output	
	IOM_REF0_14		Reference input 0	
	EDSADC_CGPWMN	O2	Negative carrier generator output	
	QSPI3_SLSO3	O3	Master slave select output	
	EDSADC_DSCOUT2	O4	Modulator clock output	
	EVADC_FC0BFLOUT	O5	Boundary flag output, FC channel 0	
	SENT_SPC4	O6	Transmit output	
CCU61_CC62	O7	T12 PWM channel 62		
IOM_MON1_10		Monitor input 1		
IOM_REF1_11		Reference input 1		

Pin Definition and Functions: LFBGA-516 Package Variant Pin Configuration

Table 2-1 Port 00 Functions (cont'd)

Ball	Symbol	Ctrl.	Buffer Type	Function
P9	P00.6	I	SLOW / PU1 / VEXT / ES1	General-purpose input
	GTM_TIM3_IN5_1			Mux input channel 5 of TIM module 3
	GTM_TIM3_IN1_14			Mux input channel 1 of TIM module 3
	GTM_TIM2_IN5_1			Mux input channel 5 of TIM module 2
	EDSADC_ITR4F			Trigger/Gate input, channel 4
	EDSADC_DSDIN2A			Digital datastream input, channel 2
	SENT_SENT5B			Receive input channel 5
	ASCLIN5_ARXA			Receive input
	GTM_DTMA6_0			CDTM6_DTM4
	GTM_DTMT3_1			CDTM3_DTM0
	EVADC_G9CH6	AI	Analog input channel 6, group 9	
	P00.6	O0	General-purpose output	
	GTM_TOUT15	O1	GTM muxed output	
	IOM_REF0_15		Reference input 0	
	EDSADC_CGPWMP	O2	Positive carrier generator output	
	EVADC_FC5BFLOUT	O3	Boundary flag output, FC channel 5	
	PSI5_TX2	O4	TXD outputs (send data)	
	IOM_REF1_15		Reference input 1	
	EVADC_EMUX10	O5	Control of external analog multiplexer interface 1	
	SENT_SPC5	O6	Transmit output	
CCU61_COUT62	O7	T12 PWM channel 62		
IOM_MON1_13		Monitor input 1		
IOM_REF1_8		Reference input 1		

Pin Definition and Functions: LFBGA-516 Package Variant Pin Configuration

Table 2-1 Port 00 Functions (cont'd)

Ball	Symbol	Ctrl.	Buffer Type	Function
R6	P00.7	I	SLOW / PU1 / VEXT / ES1	General-purpose input
	GTM_TIM3_IN6_1			Mux input channel 6 of TIM module 3
	GTM_TIM3_IN2_11			Mux input channel 2 of TIM module 3
	GTM_TIM2_IN6_1			Mux input channel 6 of TIM module 2
	CCU61_CC60INC			T12 capture input 60
	SENT_SENT6B			Receive input channel 6
	EDSADC_DSCIN4A			Modulator clock input, channel 4
	GPT120_T2INA			Trigger/gate input of timer T2
	CCU61_CCPOS0A			Hall capture input 0
	CCU60_T12HRB			External timer start 12
	GTM_DTMT0_2			CDTM0_DTM0
	EVADC_G9CH5			AI
	EDSADC_EDS4NA		Negative analog input channel 4, pin A	
	P00.7	O0	General-purpose output	
	GTM_TOUT16	O1	GTM muxed output	
	ASCLIN5_ATX	O2	Transmit output	
	EVADC_FC2BFLOUT	O3	Boundary flag output, FC channel 2	
	EDSADC_DSCOUT4	O4	Modulator clock output	
	EVADC_EMUX11	O5	Control of external analog multiplexer interface 1	
	SENT_SPC6	O6	Transmit output	
CCU61_CC60	O7	T12 PWM channel 60		
IOM_MON1_8		Monitor input 1		
IOM_REF1_13		Reference input 1		

Pin Definition and Functions: LFBGA-516 Package Variant Pin Configuration

Table 2-1 Port 00 Functions (cont'd)

Ball	Symbol	Ctrl.	Buffer Type	Function
R9	P00.8	I	SLOW / PU1 / VEXT / ES1	General-purpose input
	GTM_TIM3_IN7_1			Mux input channel 7 of TIM module 3
	GTM_TIM3_IN3_11			Mux input channel 3 of TIM module 3
	GTM_TIM2_IN7_1			Mux input channel 7 of TIM module 2
	CCU61_CC61INC			T12 capture input 61
	SENT_SENT7B			Receive input channel 7
	EDSADC_DSDIN4A			Digital datastream input, channel 4
	GPT120_T2EUDA			Count direction control input of timer T2
	CCU61_CCPOS1A			Hall capture input 1
	CCU60_T13HRB			External timer start 13
	ASCLIN10_ARXB			Receive input
	EVADC_G9CH4			AI
	EDSADC_EDS4PA		Positive analog input channel 4, pin A	
	P00.8	O0	General-purpose output	
	GTM_TOUT17	O1	GTM muxed output	
	QSPI3_SLSO6	O2	Master slave select output	
	ASCLIN10_ATX	O3	Transmit output	
	—	O4	Reserved	
	EVADC_EMUX12	O5	Control of external analog multiplexer interface 1	
	SENT_SPC7	O6	Transmit output	
CCU61_CC61	O7	T12 PWM channel 61		
IOM_MON1_9		Monitor input 1		
IOM_REF1_12		Reference input 1		

Pin Definition and Functions: LFBGA-516 Package Variant Pin Configuration

Table 2-1 Port 00 Functions (cont'd)

Ball	Symbol	Ctrl.	Buffer Type	Function
R7	P00.9	I	SLOW / PU1 / VEXT / ES1	General-purpose input
	GTM_TIM4_IN0_7			Mux input channel 0 of TIM module 4
	GTM_TIM1_IN0_1			Mux input channel 0 of TIM module 1
	GTM_TIM0_IN0_1			Mux input channel 0 of TIM module 0
	CCU61_CC62INC			T12 capture input 62
	SENT_SENT8B			Receive input channel 8
	CCU61_CCPOS2A			Hall capture input 2
	EDSADC_DSCIN1A			Modulator clock input, channel 1
	EDSADC_ITR3F			Trigger/Gate input, channel 3
	GPT120_T4EUDA			Count direction control input of timer T4
	CCU60_T13HRC			External timer start 13
	CCU60_T12HRC			External timer start 12
	EVADC_G9CH3			AI
	EDSADC_EDS4NB		Negative analog input channel 4, pin B	
	P00.9	O0	General-purpose output	
	GTM_TOUT18	O1	GTM muxed output	
	QSPI3_SLSO7	O2	Master slave select output	
	ASCLIN3_ARTS	O3	Ready to send output	
	EDSADC_DSCOUT1	O4	Modulator clock output	
	ASCLIN4_ATX	O5	Transmit output	
	SENT_SPC8	O6	Transmit output	
CCU61_CC62	O7	T12 PWM channel 62		
IOM_MON1_10		Monitor input 1		
IOM_REF1_11		Reference input 1		

Pin Definition and Functions: LFBGA-516 Package Variant Pin Configuration

Table 2-1 Port 00 Functions (cont'd)

Ball	Symbol	Ctrl.	Buffer Type	Function
R10	P00.10	I	SLOW / PU1 / VEXT / ES1	General-purpose input
	GTM_TIM4_IN1_11			Mux input channel 1 of TIM module 4
	GTM_TIM1_IN1_1			Mux input channel 1 of TIM module 1
	GTM_TIM0_IN1_1			Mux input channel 1 of TIM module 0
	SENT_SENT9B			Receive input channel 9
	EDSADC_DSDIN1A			Digital datastream input, channel 1
	EVADC_G9CH2			Analog input channel 2, group 9
	EDSADC_EDS4PB	AI	Positive analog input channel 4, pin B	
	P00.10		O0	General-purpose output
	GTM_TOUT19	O1	GTM muxed output	
	ASCLIN4_ASCLK	O2	Shift clock output	
	—	O3	Reserved	
	—	O4	Reserved	
	—	O5	Reserved	
	SENT_SPC9	O6	Transmit output	
	CCU61_COUT63	O7	T13 PWM channel 63	
	IOM_MON1_7		Monitor input 1	
IOM_REF1_7	Reference input 1			
T6	P00.11	I	SLOW / PU1 / VEXT / ES1	General-purpose input
	GTM_TIM4_IN2_11			Mux input channel 2 of TIM module 4
	GTM_TIM1_IN2_1			Mux input channel 2 of TIM module 1
	GTM_TIM0_IN2_1			Mux input channel 2 of TIM module 0
	CCU60_CTRAPA			Trap input capture
	EDSADC_DSCIN0A			Modulator clock input, channel 0
	CCU61_T12HRE			External timer start 12
	SENT_SENT10B	Receive input channel 10		
	EVADC_G9CH1	AI	Analog input channel 1, group 9	
	EVADC_FC3CH0		Analog input FC channel 3	
	P00.11	O0	General-purpose output	
	GTM_TOUT20	O1	GTM muxed output	
	ASCLIN4_ASLSO	O2	Slave select signal output	
	—	O3	Reserved	
	EDSADC_DSCOUT0	O4	Modulator clock output	
	—	O5	Reserved	
	—	O6	Reserved	
—	O7	Reserved		

Pin Definition and Functions: LFBGA-516 Package Variant Pin Configuration

Table 2-1 Port 00 Functions (cont'd)

Ball	Symbol	Ctrl.	Buffer Type	Function
T7	P00.12	I	SLOW / PU1 / VEXT / ES1	General-purpose input
	GTM_TIM4_IN3_11			Mux input channel 3 of TIM module 4
	GTM_TIM1_IN3_1			Mux input channel 3 of TIM module 1
	GTM_TIM0_IN3_1			Mux input channel 3 of TIM module 0
	ASCLIN3_ACTSA			Clear to send input
	EDSADC_DSDIN0A			Digital datastream input, channel 0
	ASCLIN4_ARXA			Receive input
	SENT_SENT11B			Receive input channel 11
	EVADC_G9CH0			AI
	EVADC_FC2CH0	Analog input FC channel 2		
	P00.12	O0	General-purpose output	
	GTM_TOUT21	O1	GTM muxed output	
	—	O2	Reserved	
	—	O3	Reserved	
	—	O4	Reserved	
	—	O5	Reserved	
	—	O6	Reserved	
	CCU61_COUT63	O7	T13 PWM channel 63	
	IOM_MON1_7		Monitor input 1	
IOM_REF1_7	Reference input 1			
T2	P00.13	I	FAST / PU1 / VEXT / ES	General-purpose input
	GTM_TIM6_IN5_2			Mux input channel 5 of TIM module 6
	GTM_TIM5_IN0_1			Mux input channel 0 of TIM module 5
	GTM_TIM4_IN0_1			Mux input channel 0 of TIM module 4
	EDSADC_DSDIN6A			Digital datastream input, channel 6
	P00.13	O0	General-purpose output	
	GTM_TOUT167	O1	GTM muxed output	
	—	O2	Reserved	
	—	O3	Reserved	
	CCU_EXTCLK1	O4	External Clock 1	
	—	O5	Reserved	
	—	O6	Reserved	
	—	O7	Reserved	

Pin Definition and Functions: LFBGA-516 Package Variant Pin Configuration

Table 2-1 Port 00 Functions (cont'd)

Ball	Symbol	Ctrl.	Buffer Type	Function
U2	P00.14	I	SLOW / PU1 / VEXT / ES	General-purpose input
	GTM_TIM6_IN6_2			Mux input channel 6 of TIM module 6
	GTM_TIM5_IN7_1			Mux input channel 7 of TIM module 5
	GTM_TIM4_IN7_1			Mux input channel 7 of TIM module 4
	EDSADC_DSCIN6A			Modulator clock input, channel 6
	P00.14	O0		General-purpose output
	GTM_TOUT166	O1		GTM muxed output
	—	O2		Reserved
	—	O3		Reserved
	EDSADC_DSCOUT6	O4		Modulator clock output
	—	O5		Reserved
	—	O6		Reserved
	—	O7		Reserved
U1	P00.15	I	FAST / PU1 / VEXT / ES	General-purpose input
	GTM_TIM6_IN7_2			Mux input channel 7 of TIM module 6
	GTM_TIM5_IN1_1			Mux input channel 1 of TIM module 5
	GTM_TIM4_IN1_1			Mux input channel 1 of TIM module 4
	EDSADC_ITR6F			Trigger/Gate input, channel 6
	P00.15	O0		General-purpose output
	GTM_TOUT168	O1		GTM muxed output
	—	O2		Reserved
	—	O3		Reserved
	CCU_EXTCLK0	O4		External Clock 0
	—	O5		Reserved
	—	O6		Reserved
	—	O7		Reserved

Pin Definition and Functions: LFBGA-516 Package Variant Pin Configuration

Table 2-2 Port 01 Functions

Ball	Symbol	Ctrl.	Buffer Type	Function	
J2	P01.0	I	SLOW / PU1 / VEXT / ES	General-purpose input	
	GTM_TIM5_IN4_1			Mux input channel 4 of TIM module 5	
	GTM_TIM4_IN4_1			Mux input channel 4 of TIM module 4	
	GTM_TIM2_IN6_13			Mux input channel 6 of TIM module 2	
	CAN21_RXDE			CAN receive input node 1	
	EDSADC_ITR6E			Trigger/Gate input, channel 6	
	CAN03_RXDF			CAN receive input node 3	
	ASCLIN6_ARXB			Receive input	
	P01.0			O0	General-purpose output
	GTM_TOUT155	O1	GTM muxed output		
	—	O2	Reserved		
	—	O3	Reserved		
	—	O4	Reserved		
	—	O5	Reserved		
	—	O6	Reserved		
	—	O7	Reserved		
	K1	P01.1	I	SLOW / PU1 / VEXT / ES	General-purpose input
GTM_TIM5_IN1_2		Mux input channel 1 of TIM module 5			
GTM_TIM4_IN1_2		Mux input channel 1 of TIM module 4			
EDSADC_ITR8E		Trigger/Gate input, channel 8			
ERAY1_RXDA1		Receive Channel A1			
SENT_SENT15B		Receive input channel 15			
P01.1		O0			General-purpose output
GTM_TOUT159		O1			GTM muxed output
—		O2			Reserved
—		O3	Reserved		
ASCLIN6_ATX		O4	Transmit output		
—		O5	Reserved		
—		O6	Reserved		
—		O7	Reserved		

Pin Definition and Functions: LFBGA-516 Package Variant Pin Configuration

Table 2-2 Port 01 Functions (cont'd)

Ball	Symbol	Ctrl.	Buffer Type	Function
K2	P01.2	I	SLOW / PU1 / VEXT / ES	General-purpose input
	GTM_TIM5_IN5_1			Mux input channel 5 of TIM module 5
	GTM_TIM4_IN5_1			Mux input channel 5 of TIM module 4
	EDSADC_DSCIN7A			Modulator clock input, channel 7
	P01.2	O0		General-purpose output
	GTM_TOUT156	O1		GTM muxed output
	—	O2		Reserved
	CAN03_TXD	O3		CAN transmit output node 3
	IOM_MON2_8			Monitor input 2
	IOM_REF2_8			Reference input 2
	—	O4		Reserved
	CAN21_TXD	O5		CAN transmit output node 1
	EDSADC_DSCOUT7	O6		Modulator clock output
	—	O7		Reserved
M10	P01.3	I	SLOW / PU1 / VEXT / ES	General-purpose input
	GTM_TIM4_IN5_2			Mux input channel 5 of TIM module 4
	GTM_TIM2_IN0_14			Mux input channel 0 of TIM module 2
	GTM_TIM0_IN5_8			Mux input channel 5 of TIM module 0
	QSPI3_SLSIB			Slave select input
	EDSADC_ITR7F			Trigger/Gate input, channel 7
	EVADC_G9CH14			AI
	P01.3	O0		General-purpose output
	GTM_TOUT111	O1		GTM muxed output
	—	O2		Reserved
	—	O3		Reserved
	QSPI3_SLSO9	O4		Master slave select output
	CAN01_TXD	O5		CAN transmit output node 1
	IOM_MON2_6			Monitor input 2
	IOM_REF2_6			Reference input 2
	—	O6		Reserved
	—	O7		Reserved

Pin Definition and Functions: LFBGA-516 Package Variant Pin Configuration

Table 2-2 Port 01 Functions (cont'd)

Ball	Symbol	Ctrl.	Buffer Type	Function
M9	P01.4	I	SLOW / PU1 / VEXT / ES	General-purpose input
	GTM_TIM4_IN6_2			Mux input channel 6 of TIM module 4
	GTM_TIM2_IN1_14			Mux input channel 1 of TIM module 2
	GTM_TIM0_IN6_8			Mux input channel 6 of TIM module 0
	CAN01_RXDC			CAN receive input node 1
	EDSADC_ITR7E			Trigger/Gate input, channel 7
	EVADC_G9CH13			AI
	P01.4	O0	General-purpose output	
	GTM_TOUT112	O1	GTM muxed output	
	—	O2	Reserved	
	ASCLIN9_ASLSO	O3	Slave select signal output	
	QSPI3_SLSO10	O4	Master slave select output	
	—	O5	Reserved	
	—	O6	Reserved	
—	O7	Reserved		
N10	P01.5	I	SLOW / PU1 / VEXT / ES	General-purpose input
	GTM_TIM5_IN3_2			Mux input channel 3 of TIM module 5
	GTM_TIM2_IN3_7			Mux input channel 3 of TIM module 2
	GTM_TIM2_IN2_7			Mux input channel 2 of TIM module 2
	QSPI3_MRSTC			Master SPI data input
	EDSADC_DSCIN8A			Modulator clock input, channel 8
	ASCLIN9_ARXA			Receive input
	EVADC_G9CH12	AI	Analog input channel 12, group 9	
	P01.5	O0	General-purpose output	
	GTM_TOUT113	O1	GTM muxed output	
	—	O2	Reserved	
	—	O3	Reserved	
	QSPI3_MRST	O4	Slave SPI data output	
	IOM_MON2_3		Monitor input 2	
	IOM_REF2_3		Reference input 2	
	—	O5	Reserved	
	EDSADC_DSCOUT8	O6	Modulator clock output	
—	O7	Reserved		

Pin Definition and Functions: LFBGA-516 Package Variant Pin Configuration

Table 2-2 Port 01 Functions (cont'd)

Ball	Symbol	Ctrl.	Buffer Type	Function
N9	P01.6	I	FAST / PU1 / VEXT / ES	General-purpose input
	GTM_TIM5_IN6_2			Mux input channel 6 of TIM module 5
	GTM_TIM5_IN5_3			Mux input channel 5 of TIM module 5
	GTM_TIM2_IN5_7			Mux input channel 5 of TIM module 2
	QSPI3_MTSRC			Slave SPI data input
	EDSADC_DSDIN8A			Digital datastream input, channel 8
	P01.6	O0		General-purpose output
	GTM_TOUT114	O1		GTM muxed output
	—	O2		Reserved
	ASCLIN9_ASCLK	O3		Shift clock output
	QSPI3_MTSR	O4		Master SPI data output
	—	O5		Reserved
	—	O6		Reserved
	—	O7		Reserved
P10	P01.7	I	FAST / PU1 / VEXT / ES	General-purpose input
	GTM_TIM5_IN7_2			Mux input channel 7 of TIM module 5
	GTM_TIM2_IN7_7			Mux input channel 7 of TIM module 2
	QSPI3_SCLKC			Slave SPI clock inputs
	EDSADC_ITR8F			Trigger/Gate input, channel 8
	ASCLIN9_ARXB			Receive input
	P01.7	O0		General-purpose output
	GTM_TOUT115	O1		GTM muxed output
	—	O2		Reserved
	ASCLIN9_ATX	O3		Transmit output
	QSPI3_SCLK	O4		Master SPI clock output
	—	O5		Reserved
	—	O6		Reserved
	—	O7		Reserved

Pin Definition and Functions: LFBGA-516 Package Variant Pin Configuration

Table 2-2 Port 01 Functions (cont'd)

Ball	Symbol	Ctrl.	Buffer Type	Function
L1	P01.8	I	SLOW / PU1 / VEXT / ES	General-purpose input
	GTM_TIM5_IN4_2			Mux input channel 4 of TIM module 5
	GTM_TIM5_IN0_10			Mux input channel 0 of TIM module 5
	GTM_TIM4_IN4_2			Mux input channel 4 of TIM module 4
	CAN00_RXDF			CAN receive input node 0
	ERAY1_RXDB1			Receive Channel B1
	EDSADC_DSDIN9A			Digital datastream input, channel 9
	SENT_SENT17B			Receive input channel 17
	ASCLIN0_ARXC			Receive input
	CAN20_RXDE			CAN receive input node 0
	ASCLIN7_ARXB			Receive input
	P01.8	O0	General-purpose output	
	GTM_TOUT162	O1	GTM muxed output	
	—	O2	Reserved	
	—	O3	Reserved	
	—	O4	Reserved	
	—	O5	Reserved	
—	O6	Reserved		
EVADC_FC4BFLOUT	O7	Boundary flag output, FC channel 4		
L2	P01.9	I	SLOW / PU1 / VEXT / ES	General-purpose input
	GTM_TIM5_IN2_1			Mux input channel 2 of TIM module 5
	GTM_TIM5_IN1_11			Mux input channel 1 of TIM module 5
	GTM_TIM4_IN2_1			Mux input channel 2 of TIM module 4
	EDSADC_DSCIN9A			Modulator clock input, channel 9
	SENT_SENT16B			Receive input channel 16
	P01.9	O0	General-purpose output	
	GTM_TOUT160	O1	GTM muxed output	
	ASCLIN7_ATX	O2	Transmit output	
	—	O3	Reserved	
	—	O4	Reserved	
	—	O5	Reserved	
	EDSADC_DSCOUT9	O6	Modulator clock output	
EVADC_FC5BFLOUT	O7	Boundary flag output, FC channel 5		

Pin Definition and Functions: LFBGA-516 Package Variant Pin Configuration

Table 2-2 Port 01 Functions (cont'd)

Ball	Symbol	Ctrl.	Buffer Type	Function
M2	P01.10	I	SLOW / PU1 / VEXT / ES	General-purpose input
	GTM_TIM5_IN5_2			Mux input channel 5 of TIM module 5
	GTM_TIM5_IN2_9			Mux input channel 2 of TIM module 5
	GTM_TIM4_IN5_3			Mux input channel 5 of TIM module 4
	EDSADC_ITR9F			Trigger/Gate input, channel 9
	SENT_SENT18B			Receive input channel 18
	GTM_DTMT4_0			CDTM4_DTM0
	GTM_DTMA6_1			CDTM6_DTM4
	GTM_DTMT3_2			CDTM3_DTM0
	P01.10			O0
	GTM_TOUT163	O1	GTM muxed output	
	ASCLIN7_ASCLK	O2	Shift clock output	
	—	O3	Reserved	
	—	O4	Reserved	
	—	O5	Reserved	
	—	O6	Reserved	
EVADC_FC6BFLOUT	O7	Boundary flag output, FC channel 6		
M1	P01.11	I	SLOW / PU1 / VEXT / ES	General-purpose input
	GTM_TIM5_IN7_3			Mux input channel 7 of TIM module 5
	GTM_TIM5_IN3_11			Mux input channel 3 of TIM module 5
	GTM_TIM4_IN7_2			Mux input channel 7 of TIM module 4
	EDSADC_ITR9E			Trigger/Gate input, channel 9
	SENT_SENT19B			Receive input channel 19
	GTM_DTMT4_1			CDTM4_DTM0
	GTM_DTMA5_1			CDTM5_DTM4
	GTM_DTMA6_2			CDTM6_DTM4
	P01.11			O0
	GTM_TOUT165	O1	GTM muxed output	
	ASCLIN7_ASLSO	O2	Slave select signal output	
	—	O3	Reserved	
	—	O4	Reserved	
	—	O5	Reserved	
	—	O6	Reserved	
EVADC_FC7BFLOUT	O7	Boundary flag output, FC channel 7		

Pin Definition and Functions: LFBGA-516 Package Variant Pin Configuration

Table 2-2 Port 01 Functions (cont'd)

Ball	Symbol	Ctrl.	Buffer Type	Function
N2	P01.12	I	FAST / PU1 / VEXT / ES	General-purpose input
	GTM_TIM6_IN0_3			Mux input channel 0 of TIM module 6
	GTM_TIM5_IN0_2			Mux input channel 0 of TIM module 5
	GTM_TIM4_IN0_2			Mux input channel 0 of TIM module 4
	EDSADC_DSDIN10A			Digital datastream input, channel 10
	EDSADC_ITR10F			Trigger/Gate input, channel 10
	P01.12	O0	General-purpose output	
	GTM_TOUT158	O1	GTM muxed output	
	ASCLIN7_ATX	O2	Transmit output	
	—	O3	Reserved	
	—	O4	Reserved	
	—	O5	Reserved	
	ERAY1_TXDA	O6	Transmit Channel A	
—	O7	Reserved		
N1	P01.13	I	FAST / PU1 / VEXT / ES	General-purpose input
	GTM_TIM6_IN1_3			Mux input channel 1 of TIM module 6
	GTM_TIM5_IN3_1			Mux input channel 3 of TIM module 5
	GTM_TIM4_IN3_1			Mux input channel 3 of TIM module 4
	EDSADC_DSCIN10A			Modulator clock input, channel 10
	EDSADC_ITR10E			Trigger/Gate input, channel 10
	P01.13	O0	General-purpose output	
	GTM_TOUT161	O1	GTM muxed output	
	ASCLIN0_ATX	O2	Transmit output	
	IOM_MON2_12		Monitor input 2	
	IOM_REF2_12		Reference input 2	
	—	O3	Reserved	
	CAN00_TXD	O4	CAN transmit output node 0	
	IOM_MON2_5		Monitor input 2	
	IOM_REF2_5		Reference input 2	
	CAN20_TXD	O5	CAN transmit output node 0	
ERAY1_TXDB	O6	Transmit Channel B		
EDSADC_DSCOUT10	O7	Modulator clock output		

Pin Definition and Functions: LFBGA-516 Package Variant Pin Configuration

Table 2-2 Port 01 Functions (cont'd)

Ball	Symbol	Ctrl.	Buffer Type	Function
P2	P01.14	I	FAST / PU1 / VEXT / ES	General-purpose input
	GTM_TIM6_IN2_3			Mux input channel 2 of TIM module 6
	GTM_TIM5_IN6_3			Mux input channel 6 of TIM module 5
	GTM_TIM4_IN6_3			Mux input channel 6 of TIM module 4
	EDSADC_DSDIN11A			Digital datastream input, channel 11
	EDSADC_ITR11F			Trigger/Gate input, channel 11
	P01.14			O0
	GTM_TOUT164	O1	GTM muxed output	
	—	O2	Reserved	
	—	O3	Reserved	
	—	O4	Reserved	
	—	O5	Reserved	
	ERAY1_TXENA	O6	Transmit Enable Channel A	
	—	O7	Reserved	
P1	P01.15	I	SLOW / PU1 / VEXT / ES	General-purpose input
	GTM_TIM6_IN3_3			Mux input channel 3 of TIM module 6
	GTM_TIM5_IN6_1			Mux input channel 6 of TIM module 5
	GTM_TIM4_IN6_1			Mux input channel 6 of TIM module 4
	EDSADC_DSDIN7A			Digital datastream input, channel 7
	EDSADC_DSCIN11A			Modulator clock input, channel 11
	EDSADC_ITR11E			Trigger/Gate input, channel 11
	P01.15	O0	General-purpose output	
	GTM_TOUT157	O1	GTM muxed output	
	—	O2	Reserved	
	—	O3	Reserved	
	—	O4	Reserved	
	—	O5	Reserved	
	—	O6	Reserved	
EDSADC_DSCOUT11	O7	Modulator clock output		

Pin Definition and Functions: LFBGA-516 Package Variant Pin Configuration

Table 2-3 Port 02 Functions

Ball	Symbol	Ctrl.	Buffer Type	Function
G6	P02.0	I	FAST / PU1 / VEXT / ES	General-purpose input
	GTM_TIM1_IN0_2			Mux input channel 0 of TIM module 1
	GTM_TIM0_IN0_2			Mux input channel 0 of TIM module 0
	CCU61_CC60INB			T12 capture input 60
	ASCLIN2_ARXG			Receive input
	CCU60_CC60INA			T12 capture input 60
	SCU_E_REQ3_2			ERU Channel 3 inputs 0 to 5 (0 is the LSB and 5 is the MSB)
	GTM_DTMA0_0			CDTM0_DTM4
	P02.0	O0	General-purpose output	
	GTM_TOUT0	O1	GTM muxed output	
	IOM_REF0_0		Reference input 0	
	ASCLIN2_ATX	O2	Transmit output	
	IOM_MON2_14		Monitor input 2	
	IOM_REF2_14		Reference input 2	
	QSPI3_SLSO1	O3	Master slave select output	
	EDSADC_CGPWMN	O4	Negative carrier generator output	
	CAN00_TXD	O5	CAN transmit output node 0	
	IOM_MON2_5		Monitor input 2	
	IOM_REF2_5		Reference input 2	
	ERAY0_TXDA	O6	Transmit Channel A	
CCU60_CC60	O7	T12 PWM channel 60		
IOM_MON1_2		Monitor input 1		
IOM_REF1_6		Reference input 1		

Pin Definition and Functions: LFBGA-516 Package Variant Pin Configuration

Table 2-3 Port 02 Functions (cont'd)

Ball	Symbol	Ctrl.	Buffer Type	Function
H7	P02.1	I	SLOW / PU1 / VEXT / ES	General-purpose input
	GTM_TIM1_IN1_2			Mux input channel 1 of TIM module 1
	GTM_TIM0_IN1_2			Mux input channel 1 of TIM module 0
	ERAY0_RXDA2			Receive Channel A2
	ASCLIN2_ARXB			Receive input
	CAN00_RXDA			CAN receive input node 0
	SCU_E_REQ2_1			ERU Channel 2 inputs 0 to 5 (0 is the LSB and 5 is the MSB)
	P02.1	O0	General-purpose output	
	GTM_TOUT1	O1	GTM muxed output	
	IOM_REF0_1		Reference input 0	
	QSPI4_SLSO7	O2	Master slave select output	
	QSPI3_SLSO2	O3	Master slave select output	
	EDSADC_CGPWMP	O4	Positive carrier generator output	
	—	O5	Reserved	
	—	O6	Reserved	
	CCU60_COUT60	O7	T12 PWM channel 60	
	IOM_MON1_3		Monitor input 1	
	IOM_REF1_3		Reference input 1	

Pin Definition and Functions: LFBGA-516 Package Variant Pin Configuration

Table 2-3 Port 02 Functions (cont'd)

Ball	Symbol	Ctrl.	Buffer Type	Function
H6	P02.2	I	FAST / PU1 / VEXT / ES	General-purpose input
	GTM_TIM1_IN2_2			Mux input channel 2 of TIM module 1
	GTM_TIM0_IN2_2			Mux input channel 2 of TIM module 0
	CCU61_CC61INB			T12 capture input 61
	CCU60_CC61INA			T12 capture input 61
	SENT_SENT14B			Receive input channel 14
	P02.2			O0
	GTM_TOUT2	O1	GTM muxed output	
	IOM_REF0_2		Reference input 0	
	ASCLIN1_ATX	O2	Transmit output	
	IOM_MON2_13		Monitor input 2	
	IOM_REF2_13		Reference input 2	
	QSPI3_SLSO3	O3	Master slave select output	
	PSI5_TX0	O4	TXD outputs (send data)	
	IOM_MON1_14		Monitor input 1	
	IOM_REF1_14		Reference input 1	
	CAN02_TXD	O5	CAN transmit output node 2	
	IOM_MON2_7		Monitor input 2	
	IOM_REF2_7		Reference input 2	
	ERAY0_TXDB	O6	Transmit Channel B	
	CCU60_CC61	O7	T12 PWM channel 61	
	IOM_MON1_1		Monitor input 1	
	IOM_REF1_5		Reference input 1	

Pin Definition and Functions: LFBGA-516 Package Variant Pin Configuration

Table 2-3 Port 02 Functions (cont'd)

Ball	Symbol	Ctrl.	Buffer Type	Function
J7	P02.3	I	SLOW / PU1 / VEXT / ES	General-purpose input
	GTM_TIM1_IN3_2			Mux input channel 3 of TIM module 1
	GTM_TIM0_IN3_2			Mux input channel 3 of TIM module 0
	EDSADC_DSCIN5B			Modulator clock input, channel 5
	ERAY0_RXDB2			Receive Channel B2
	CAN02_RXDB			CAN receive input node 2
	ASCLIN1_ARXG			Receive input
	MSC1_SD11			Upstream asynchronous input signal
	PSI5_RX0B			RXD inputs (receive data) channel 0
	SENT_SENT13B			Receive input channel 13
	P02.3	O0	General-purpose output	
	GTM_TOUT3	O1	GTM muxed output	
	IOM_REF0_3		Reference input 0	
	ASCLIN2_ASLSO	O2	Slave select signal output	
	QSPI3_SLSO4	O3	Master slave select output	
	EDSADC_DSCOUT5	O4	Modulator clock output	
	—	O5	Reserved	
	—	O6	Reserved	
	CCU60_COUT61	O7	T12 PWM channel 61	
	IOM_MON1_4		Monitor input 1	
IOM_REF1_2		Reference input 1		

Pin Definition and Functions: LFBGA-516 Package Variant Pin Configuration

Table 2-3 Port 02 Functions (cont'd)

Ball	Symbol	Ctrl.	Buffer Type	Function	
J6	P02.4	I	FAST / PU1 / VEXT / ES	General-purpose input	
	GTM_TIM1_IN4_1			Mux input channel 4 of TIM module 1	
	GTM_TIM0_IN4_1			Mux input channel 4 of TIM module 0	
	CCU61_CC62INB			T12 capture input 62	
	EDSADC_DSDIN5B			Digital datastream input, channel 5	
	QSPI3_SLSIA			Slave select input	
	CCU60_CC62INA			T12 capture input 62	
	I2C0_SDAA			Serial Data Input 0	
	CAN11_RXDA			CAN receive input node 1	
	CAN0_ECTT1			External CAN time trigger input	
	SENT_SENT12B			Receive input channel 12	
	P02.4			O0	General-purpose output
	GTM_TOUT4			O1	GTM muxed output
	IOM_REF0_4		Reference input 0		
	ASCLIN2_ASCLK	O2	Shift clock output		
	QSPI3_SLSO0	O3	Master slave select output		
	PSI5S_CLK	O4	PSI5S CLK is a clock that can be used on a pin to drive the external PHY.		
	I2C0_SDA	O5	Serial Data Output		
	ERAY0_TXENA	O6	Transmit Enable Channel A		
	CCU60_CC62	O7	T12 PWM channel 62		
IOM_MON1_0		Monitor input 1			
IOM_REF1_4		Reference input 1			

Pin Definition and Functions: LFBGA-516 Package Variant Pin Configuration

Table 2-3 Port 02 Functions (cont'd)

Ball	Symbol	Ctrl.	Buffer Type	Function	
K7	P02.5	I	FAST / PU1 / VEXT / ES	General-purpose input	
	GTM_TIM1_IN5_1			Mux input channel 5 of TIM module 1	
	GTM_TIM0_IN5_1			Mux input channel 5 of TIM module 0	
	EDSADC_DSCIN4B			Modulator clock input, channel 4	
	I2C0_SCLA			Serial Clock Input 0	
	PSI5_RX1B			RXD inputs (receive data) channel 1	
	PSI5S_RXB			RX data input	
	QSPI3_MRSTA			Master SPI data input	
	SENT_SENT3C			Receive input channel 3	
	CAN0_ECTT2			External CAN time trigger input	
	P02.5			O0	General-purpose output
	GTM_TOUT5			O1	GTM muxed output
	IOM_REF0_5		Reference input 0		
	CAN11_TXD	O2	CAN transmit output node 1		
	QSPI3_MRST	O3	Slave SPI data output		
	IOM_MON2_3		Monitor input 2		
	IOM_REF2_3		Reference input 2		
	EDSADC_DSCOUT4	O4	Modulator clock output		
	I2C0_SCL	O5	Serial Clock Output		
	ERAY0_TXENB	O6	Transmit Enable Channel B		
CCU60_COUT62	O7	T12 PWM channel 62			
IOM_MON1_5		Monitor input 1			
IOM_REF1_1		Reference input 1			

Pin Definition and Functions: LFBGA-516 Package Variant Pin Configuration

Table 2-3 Port 02 Functions (cont'd)

Ball	Symbol	Ctrl.	Buffer Type	Function
K6	P02.6	I	FAST / PU1 / VEXT / ES	General-purpose input
	GTM_TIM3_IN0_10			Mux input channel 0 of TIM module 3
	GTM_TIM1_IN6_1			Mux input channel 6 of TIM module 1
	GTM_TIM0_IN6_1			Mux input channel 6 of TIM module 0
	CCU60_CC60INC			T12 capture input 60
	SENT_SENT2C			Receive input channel 2
	EDSADC_DSDIN4B			Digital datastream input, channel 4
	EDSADC_ITR5E			Trigger/Gate input, channel 5
	GPT120_T3INA			Trigger/gate input of core timer T3
	CCU60_CCPOS0A			Hall capture input 0
	CCU61_T12HRB			External timer start 12
	QSPI3_MTSRA			Slave SPI data input
	RIFO_RAMP1B			External RAMP B input
	P02.6			O0
	GTM_TOUT6	O1	GTM muxed output	
	IOM_REF0_6		Reference input 0	
	PSI5S_TX	O2	TX data output	
	QSPI3_MTSR	O3	Master SPI data output	
	PSI5_TX1	O4	TXD outputs (send data)	
	IOM_MON1_15		Monitor input 1	
	EVADC_EMUX00	O5	Control of external analog multiplexer interface 0	
	—	O6	Reserved	
	CCU60_CC60	O7	T12 PWM channel 60	
IOM_MON1_2		Monitor input 1		
IOM_REF1_6		Reference input 1		

Pin Definition and Functions: LFBGA-516 Package Variant Pin Configuration

Table 2-3 Port 02 Functions (cont'd)

Ball	Symbol	Ctrl.	Buffer Type	Function
L7	P02.7	I	FAST / PU1 / VEXT / ES	General-purpose input
	GTM_TIM3_IN1_10			Mux input channel 1 of TIM module 3
	GTM_TIM1_IN7_1			Mux input channel 7 of TIM module 1
	GTM_TIM0_IN7_1			Mux input channel 7 of TIM module 0
	CCU60_CC61INC			T12 capture input 61
	SENT_SENT1C			Receive input channel 1
	EDSADC_DSCIN3B			Modulator clock input, channel 3
	EDSADC_ITR4E			Trigger/Gate input, channel 4
	GPT120_T3EUDA			Count direction control input of core timer T3
	PSI5_RX2B			RXD inputs (receive data) channel 2
	CCU60_CCPOS1A			Hall capture input 1
	QSPI3_SCLKA			Slave SPI clock inputs
	CCU61_T13HRB			External timer start 13
	P02.7			O0
	GTM_TOUT7	O1	GTM muxed output	
	IOM_REF0_7		Reference input 0	
	—	O2	Reserved	
	QSPI3_SCLK	O3	Master SPI clock output	
	EDSADC_DSCOUT3	O4	Modulator clock output	
	EVADC_EMUX01	O5	Control of external analog multiplexer interface 0	
SENT_SPC1	O6	Transmit output		
CCU60_CC61	O7	T12 PWM channel 61		
IOM_MON1_1		Monitor input 1		
IOM_REF1_5		Reference input 1		

Pin Definition and Functions: LFBGA-516 Package Variant Pin Configuration

Table 2-3 Port 02 Functions (cont'd)

Ball	Symbol	Ctrl.	Buffer Type	Function
L6	P02.8	I	SLOW / PU1 / VEXT / ES	General-purpose input
	GTM_TIM3_IN2_10			Mux input channel 2 of TIM module 3
	GTM_TIM3_IN0_2			Mux input channel 0 of TIM module 3
	GTM_TIM2_IN0_2			Mux input channel 0 of TIM module 2
	CCU60_CC62INC			T12 capture input 62
	SENT_SENT0C			Receive input channel 0
	CCU60_CCPOS2A			Hall capture input 2
	EDSADC_DSDIN3B			Digital datastream input, channel 3
	EDSADC_ITR3E			Trigger/Gate input, channel 3
	GPT120_T4INA			Trigger/gate input of timer T4
	CCU61_T12HRC			External timer start 12
	CCU61_T13HRC			External timer start 13
	GTM_DTMA0_1			CDTM0_DTM4
	P02.8			O0
	GTM_TOUT8	O1	GTM muxed output	
	IOM_REF0_8		Reference input 0	
	QSPI3_SLSO5	O2	Master slave select output	
	ASCLIN8_ASCLK	O3	Shift clock output	
	PSI5_TX2	O4	TXD outputs (send data)	
	IOM_REF1_15		Reference input 1	
EVADC_EMUX02	O5	Control of external analog multiplexer interface 0		
GETH_MDC	O6	MDIO clock		
CCU60_CC62	O7	T12 PWM channel 62		
IOM_MON1_0		Monitor input 1		
IOM_REF1_4		Reference input 1		

Pin Definition and Functions: LFBGA-516 Package Variant Pin Configuration

Table 2-3 Port 02 Functions (cont'd)

Ball	Symbol	Ctrl.	Buffer Type	Function	
K9	P02.9	I	SLOW / PU1 / VEXT / ES	General-purpose input	
	GTM_TIM4_IN2_2			Mux input channel 2 of TIM module 4	
	GTM_TIM3_IN3_10			Mux input channel 3 of TIM module 3	
	GTM_TIM0_IN2_10			Mux input channel 2 of TIM module 0	
	SENT_SENT20B			Receive input channel 20	
	ASCLIN8_ARXA			Receive input	
	P02.9	O0	SLOW / PU1 / VEXT / ES	General-purpose output	
	GTM_TOUT116	O1		GTM muxed output	
	ASCLIN2_ATX	O2		Transmit output	
	IOM_MON2_14			Monitor input 2	
	IOM_REF2_14			Reference input 2	
	ASCLIN8_ATX	O3		Transmit output	
	—	O4		Reserved	
	CAN01_TXD	O5		CAN transmit output node 1	
	IOM_MON2_6			Monitor input 2	
	IOM_REF2_6			Reference input 2	
	—	O6		Reserved	
—	O7	Reserved			
L10	P02.10	I		SLOW / PU1 / VEXT / ES	General-purpose input
	GTM_TIM4_IN3_2				Mux input channel 3 of TIM module 4
	GTM_TIM3_IN4_11				Mux input channel 4 of TIM module 3
	GTM_TIM0_IN3_10				Mux input channel 3 of TIM module 0
	ASCLIN2_ARXC				Receive input
	CAN01_RXDE		CAN receive input node 1		
	SENT_SENT21B	Receive input channel 21			
	ASCLIN8_ARXB	Receive input			
	P02.10	O0	SLOW / PU1 / VEXT / ES	General-purpose output	
	GTM_TOUT117	O1		GTM muxed output	
	—	O2		Reserved	
	—	O3		Reserved	
	—	O4		Reserved	
	—	O5		Reserved	
	—	O6		Reserved	
	—	O7		Reserved	

Pin Definition and Functions: LFBGA-516 Package Variant Pin Configuration

Table 2-3 Port 02 Functions (cont'd)

Ball	Symbol	Ctrl.	Buffer Type	Function
L9	P02.11	I	SLOW / PU1 / VEXT / ES	General-purpose input
	GTM_TIM4_IN4_3			Mux input channel 4 of TIM module 4
	GTM_TIM3_IN5_12			Mux input channel 5 of TIM module 3
	GTM_TIM0_IN7_7			Mux input channel 7 of TIM module 0
	SENT_SENT22B			Receive input channel 22
	EVADC_G9CH15			AI
	P02.11	O0	General-purpose output	
	GTM_TOUT118	O1	GTM muxed output	
	—	O2	Reserved	
	ASCLIN8_ASLSO	O3	Slave select signal output	
	—	O4	Reserved	
	—	O5	Reserved	
	—	O6	Reserved	
	—	O7	Reserved	
F2	P02.12	I	SLOW / PU1 / VEXT / ES	General-purpose input
	GTM_TIM5_IN0_3			Mux input channel 0 of TIM module 5
	GTM_TIM4_IN0_3			Mux input channel 0 of TIM module 4
	GTM_TIM3_IN6_12			Mux input channel 6 of TIM module 3
	EDSADC_DSDIN12A			Digital datastream input, channel 12
	EDSADC_ITR12F			Trigger/Gate input, channel 12
	SENT_SENT23B			Receive input channel 23
	P02.12	O0	General-purpose output	
	GTM_TOUT151	O1	GTM muxed output	
	QSPI3_SLSO5	O2	Master slave select output	
	QSPI4_SLSO4	O3	Master slave select output	
	ASCLIN6_ASLSO	O4	Slave select signal output	
	—	O5	Reserved	
	—	O6	Reserved	
—	O7	Reserved		

Pin Definition and Functions: LFBGA-516 Package Variant Pin Configuration

Table 2-3 Port 02 Functions (cont'd)

Ball	Symbol	Ctrl.	Buffer Type	Function
F1	P02.13	I	SLOW / PU1 / VEXT / ES	General-purpose input
	GTM_TIM5_IN2_2			Mux input channel 2 of TIM module 5
	GTM_TIM4_IN2_3			Mux input channel 2 of TIM module 4
	GTM_TIM3_IN7_11			Mux input channel 7 of TIM module 3
	EDSADC_DSCIN12A			Modulator clock input, channel 12
	EDSADC_ITR12E			Trigger/Gate input, channel 12
	SENT_SENT24B			Receive input channel 24
	P02.13			O0
	GTM_TOUT153	O1	GTM muxed output	
	QSPI3_SLSO7	O2	Master slave select output	
	QSPI4_SLSO6	O3	Master slave select output	
	CAN00_TXD	O4	CAN transmit output node 0	
	IOM_MON2_5		Monitor input 2	
	IOM_REF2_5	O5	Reference input 2	
	CAN20_TXD		CAN transmit output node 0	
	—	O6	Reserved	
EDSADC_DSCOUT12	O7	Modulator clock output		
G2	P02.14	I	SLOW / PU1 / VEXT / ES	General-purpose input
	GTM_TIM5_IN3_3			Mux input channel 3 of TIM module 5
	GTM_TIM4_IN3_3			Mux input channel 3 of TIM module 4
	GTM_TIM2_IN4_14			Mux input channel 4 of TIM module 2
	CAN20_RXDD			CAN receive input node 0
	CAN00_RXDH			CAN receive input node 0
	EDSADC_DSDIN13A			Digital datastream input, channel 13
	EDSADC_ITR13F			Trigger/Gate input, channel 13
	P02.14	O0	General-purpose output	
	GTM_TOUT154	O1	GTM muxed output	
	ASCLIN6_ASCLK	O2	Shift clock output	
	—	O3	Reserved	
	—	O4	Reserved	
	—	O5	Reserved	
	—	O6	Reserved	
	—	O7	Reserved	

Pin Definition and Functions: LFBGA-516 Package Variant Pin Configuration

Table 2-3 Port 02 Functions (cont'd)

Ball	Symbol	Ctrl.	Buffer Type	Function
G1	P02.15	I	FAST / PU1 / VEXT / ES	General-purpose input
	GTM_TIM5_IN1_3			Mux input channel 1 of TIM module 5
	GTM_TIM4_IN1_3			Mux input channel 1 of TIM module 4
	GTM_TIM2_IN5_14			Mux input channel 5 of TIM module 2
	EDSADC_DSCIN13A			Modulator clock input, channel 13
	EDSADC_ITR13E			Trigger/Gate input, channel 13
	P02.15	O0	General-purpose output	
	GTM_TOUT152	O1	GTM muxed output	
	QSPI3_SLSO6	O2	Master slave select output	
	QSPI4_SLSO5	O3	Master slave select output	
	ASCLIN6_ATX	O4	Transmit output	
	—	O5	Reserved	
	ERAY1_TXENB	O6	Transmit Enable Channel B	
	EDSADC_DSCOUT13	O7	Modulator clock output	

Table 2-4 Port 10 Functions

Ball	Symbol	Ctrl.	Buffer Type	Function
F12	P10.0	I	SLOW / PU1 / VEXT / ES	General-purpose input
	GTM_TIM4_IN0_12			Mux input channel 0 of TIM module 4
	GTM_TIM1_IN4_2			Mux input channel 4 of TIM module 1
	GTM_TIM0_IN4_2			Mux input channel 4 of TIM module 0
	GPT120_T6EUDB			Count direction control input of core timer T6
	ASCLIN11_ARXA			Receive input
	GETH_RXERC			Receive Error MII
	GTM_DTMA5_2			CDTM5_DTM4
	P10.0	O0	General-purpose output	
	GTM_TOUT102	O1	GTM muxed output	
	ASCLIN11_ATX	O2	Transmit output	
	QSPI1_SLSO10	O3	Master slave select output	
	—	O4	Reserved	
	EVADC_FC6BFLOUT	O5	Boundary flag output, FC channel 6	
—	O6	Reserved		
—	O7	Reserved		

Pin Definition and Functions: LFBGA-516 Package Variant Pin Configuration

Table 2-4 Port 10 Functions (cont'd)

Ball	Symbol	Ctrl.	Buffer Type	Function	
G12	P10.1	I	FAST / PU1 / VEXT / ES	General-purpose input	
	GTM_TIM4_IN4_12			Mux input channel 4 of TIM module 4	
	GTM_TIM1_IN1_3			Mux input channel 1 of TIM module 1	
	GTM_TIM0_IN1_3			Mux input channel 1 of TIM module 0	
	GPT120_T5EUDB			Count direction control input of timer T5	
	QSPI1_MRSTA			Master SPI data input	
	GTM_DTMT0_1			CDTM0_DTM0	
	P10.1			O0	General-purpose output
	GTM_TOUT103			O1	GTM muxed output
	QSPI1_MTSR			O2	Master SPI data output
	QSPI1_MRST			O3	Slave SPI data output
	IOM_MON2_1				Monitor input 2
	IOM_REF2_1				Reference input 2
	MSC0_EN1			O4	Chip Select
	EVADC_FC1BFLOUT			O5	Boundary flag output, FC channel 1
	—			O6	Reserved
	—			O7	Reserved
F10	P10.2	I	FAST / PU1 / VEXT / ES	General-purpose input	
	GTM_TIM4_IN5_12			Mux input channel 5 of TIM module 4	
	GTM_TIM1_IN2_3			Mux input channel 2 of TIM module 1	
	GTM_TIM0_IN2_3			Mux input channel 2 of TIM module 0	
	CAN02_RXDE			CAN receive input node 2	
	MSC0_SD11			Upstream asynchronous input signal	
	QSPI1_SCLKA			Slave SPI clock inputs	
	GPT120_T6INB			Trigger/gate input of core timer T6	
	SCU_E_REQ2_0			ERU Channel 2 inputs 0 to 5 (0 is the LSB and 5 is the MSB)	
	GTM_DTMT2_2			CDTM2_DTM0	
	P10.2			O0	General-purpose output
	GTM_TOUT104			O1	GTM muxed output
	IOM_MON2_9				Monitor input 2
	—				Reserved
	QSPI1_SCLK			O3	Master SPI clock output
	MSC0_EN0			O4	Chip Select
	EVADC_FC3BFLOUT			O5	Boundary flag output, FC channel 3
—	O6	Reserved			
—	O7	Reserved			

Pin Definition and Functions: LFBGA-516 Package Variant Pin Configuration

Table 2-4 Port 10 Functions (cont'd)

Ball	Symbol	Ctrl.	Buffer Type	Function
F11	P10.3	I	FAST / PU1 / VEXT / ES	General-purpose input
	GTM_TIM4_IN6_10			Mux input channel 6 of TIM module 4
	GTM_TIM1_IN3_3			Mux input channel 3 of TIM module 1
	GTM_TIM0_IN3_3			Mux input channel 3 of TIM module 0
	QSPI1_MTSRA			Slave SPI data input
	SCU_E_REQ3_0			ERU Channel 3 inputs 0 to 5 (0 is the LSB and 5 is the MSB)
	GPT120_T5INB			Trigger/gate input of timer T5
	P10.3	O0	General-purpose output	
	GTM_TOUT105	O1	GTM muxed output	
	IOM_MON2_10		Monitor input 2	
	—	O2	Reserved	
	QSPI1_MTSR	O3	Master SPI data output	
	MSC0_EN0	O4	Chip Select	
	—	O5	Reserved	
	CAN02_TXD	O6	CAN transmit output node 2	
	IOM_MON2_7	O7	Monitor input 2	
	IOM_REF2_7		Reference input 2	
—	Reserved			
G11	P10.4	I	FAST / PU1 / VEXT / ES	General-purpose input
	GTM_TIM4_IN7_3			Mux input channel 7 of TIM module 4
	GTM_TIM1_IN6_2			Mux input channel 6 of TIM module 1
	GTM_TIM0_IN6_2			Mux input channel 6 of TIM module 0
	QSPI1_MTSRC			Slave SPI data input
	CCU60_CCPOS0C			Hall capture input 0
	GPT120_T3INB			Trigger/gate input of core timer T3
	ASCLIN11_ARXB	Receive input		
	P10.4	O0	General-purpose output	
	GTM_TOUT106	O1	GTM muxed output	
	IOM_MON2_11		Monitor input 2	
	—	O2	Reserved	
	QSPI1_SLSO8	O3	Master slave select output	
	QSPI1_MTSR	O4	Master SPI data output	
	MSC0_EN0	O5	Chip Select	
	—	O6	Reserved	
	—	O7	Reserved	

Pin Definition and Functions: LFBGA-516 Package Variant Pin Configuration

Table 2-4 Port 10 Functions (cont'd)

Ball	Symbol	Ctrl.	Buffer Type	Function
G10	P10.5	I	SLOW / PU2 / VEXT / ES	General-purpose input
	GTM_TIM4_IN3_13			Mux input channel 3 of TIM module 4
	GTM_TIM1_IN2_4			Mux input channel 2 of TIM module 1
	GTM_TIM0_IN2_4			Mux input channel 2 of TIM module 0
	PMS_HWCFG4IN			HWCFG4 pin input
	CAN20_RXDA			CAN receive input node 0
	MSC0_INJ1			Injection signal from port
	P10.5	O0	General-purpose output	
	GTM_TOUT107	O1	GTM muxed output	
	IOM_REF2_9	O2	Reference input 2	
	ASCLIN2_ATX		Transmit output	
	IOM_MON2_14		Monitor input 2	
	IOM_REF2_14	Reference input 2		
	QSPI3_SLSO8	O3	Master slave select output	
	QSPI1_SLSO9	O4	Master slave select output	
	GPT120_T6OUT	O5	External output for overflow/underflow detection of core timer T6	
	ASCLIN2_ASLSO	O6	Slave select signal output	
	PSI5_TX3	O7	TXD outputs (send data)	

Pin Definition and Functions: LFBGA-516 Package Variant Pin Configuration

Table 2-4 Port 10 Functions (cont'd)

Ball	Symbol	Ctrl.	Buffer Type	Function
F9	P10.6	I	SLOW / PU2 / VEXT / ES	General-purpose input
	GTM_TIM4_IN2_13			Mux input channel 2 of TIM module 4
	GTM_TIM1_IN3_4			Mux input channel 3 of TIM module 1
	GTM_TIM0_IN3_4			Mux input channel 3 of TIM module 0
	PSI5_RX3C			RXD inputs (receive data) channel 3
	ASCLIN2_ARXD			Receive input
	QSPI3_MTSRB			Slave SPI data input
	PMS_HWCFG5IN			HWCFG5 pin input
	P10.6			O0
	GTM_TOUT108	O1	GTM muxed output	
	IOM_REF2_10		Reference input 2	
	ASCLIN2_ASCLK	O2	Shift clock output	
	QSPI3_MTSR	O3	Master SPI data output	
	GPT120_T3OUT	O4	External output for overflow/underflow detection of core timer T3	
	CAN20_TXD	O5	CAN transmit output node 0	
	QSPI1_MRST	O6	Slave SPI data output	
	IOM_MON2_1		Monitor input 2	
	IOM_REF2_1		Reference input 2	
	EVADC_FC7BFLOUT	O7	Boundary flag output, FC channel 7	

Pin Definition and Functions: LFBGA-516 Package Variant Pin Configuration

Table 2-4 Port 10 Functions (cont'd)

Ball	Symbol	Ctrl.	Buffer Type	Function
F8	P10.7	I	SLOW / PU1 / VEXT / ES	General-purpose input
	GTM_TIM1_IN0_3			Mux input channel 0 of TIM module 1
	GTM_TIM0_IN0_3			Mux input channel 0 of TIM module 0
	GPT120_T3EUDB			Count direction control input of core timer T3
	ASCLIN2_ACTSA			Clear to send input
	QSPI3_MRSTB			Master SPI data input
	SCU_E_REQ0_2			ERU Channel 0 inputs 0 to 5 (0 is the LSB and 5 is the MSB)
	CCU60_CCPOS1C			Hall capture input 1
	P10.7			O0
	GTM_TOUT109	O1	GTM muxed output	
	IOM_REF2_11	O2	Reference input 2	
	—		Reserved	
	QSPI3_MRST		O3	Slave SPI data output
	IOM_MON2_3	O3	Monitor input 2	
	IOM_REF2_3		Reference input 2	
	—	O4	Reserved	
	CAN20_TXD	O5	CAN transmit output node 0	
	CAN12_TXD	O6	CAN transmit output node 2	
	—	O7	Reserved	

Pin Definition and Functions: LFBGA-516 Package Variant Pin Configuration

Table 2-4 Port 10 Functions (cont'd)

Ball	Symbol	Ctrl.	Buffer Type	Function
G9	P10.8	I	SLOW / PU1 / VEXT / ES	General-purpose input
	GTM_TIM4_IN0_13			Mux input channel 0 of TIM module 4
	GTM_TIM1_IN5_2			Mux input channel 5 of TIM module 1
	GTM_TIM0_IN5_2			Mux input channel 5 of TIM module 0
	CAN12_RXDB			CAN receive input node 2
	GPT120_T4INB			Trigger/gate input of timer T4
	QSPI3_SCLKB			Slave SPI clock inputs
	SCU_E_REQ1_2			ERU Channel 1 inputs 0 to 5 (0 is the LSB and 5 is the MSB)
	CCU60_CCPOS2C			Hall capture input 2
	CAN20_RXDB			CAN receive input node 0
	RIF1_RAMP1B	External RAMP B input		
	P10.8	O0	General-purpose output	
	GTM_TOUT110	O1	GTM muxed output	
	ASCLIN2_ARTS	O2	Ready to send output	
	QSPI3_SCLK	O3	Master SPI clock output	
	—	O4	Reserved	
	—	O5	Reserved	
—	O6	Reserved		
—	O7	Reserved		
B8	P10.9	I	SLOW / PU1 / VEXT / ES	General-purpose input
	GTM_TIM6_IN0_5			Mux input channel 0 of TIM module 6
	GTM_TIM4_IN1_4			Mux input channel 1 of TIM module 4
	GTM_TIM0_IN1_10			Mux input channel 1 of TIM module 0
	SENT_SENT15C			Receive input channel 15
	ASCLIN6_ARXD			Receive input
	P10.9	O0	General-purpose output	
	GTM_TOUT265	O1	GTM muxed output	
	—	O2	Reserved	
	—	O3	Reserved	
	—	O4	Reserved	
	—	O5	Reserved	
	—	O6	Reserved	
	—	O7	Reserved	

Pin Definition and Functions: LFBGA-516 Package Variant Pin Configuration

Table 2-4 Port 10 Functions (cont'd)

Ball	Symbol	Ctrl.	Buffer Type	Function
B7	P10.10	I	SLOW / PU1 / VEXT / ES	General-purpose input
	GTM_TIM6_IN1_5			Mux input channel 1 of TIM module 6
	GTM_TIM4_IN2_4			Mux input channel 2 of TIM module 4
	GTM_TIM0_IN2_11			Mux input channel 2 of TIM module 0
	SENT_SENT16C			Receive input channel 16
	P10.10	O0		General-purpose output
	GTM_TOUT266	O1		GTM muxed output
	ASCLIN6_ATX	O2		Transmit output
	—	O3		Reserved
	—	O4		Reserved
	—	O5		Reserved
	—	O6		Reserved
	—	O7		Reserved
A7	P10.11	I	SLOW / PU1 / VEXT / ES	General-purpose input
	GTM_TIM6_IN2_5			Mux input channel 2 of TIM module 6
	GTM_TIM4_IN5_4			Mux input channel 5 of TIM module 4
	GTM_TIM0_IN5_9			Mux input channel 5 of TIM module 0
	SENT_SENT19C			Receive input channel 19
	P10.11	O0		General-purpose output
	GTM_TOUT269	O1		GTM muxed output
	ASCLIN6_ASCLK	O2		Shift clock output
	—	O3		Reserved
	—	O4		Reserved
	—	O5		Reserved
	—	O6		Reserved
	—	O7		Reserved

Pin Definition and Functions: LFBGA-516 Package Variant Pin Configuration

Table 2-4 Port 10 Functions (cont'd)

Ball	Symbol	Ctrl.	Buffer Type	Function
A6	P10.13	I	SLOW / PU1 / VEXT / ES	General-purpose input
	GTM_TIM6_IN3_5			Mux input channel 3 of TIM module 6
	GTM_TIM4_IN4_4			Mux input channel 4 of TIM module 4
	GTM_TIM0_IN4_9			Mux input channel 4 of TIM module 0
	SENT_SENT18C			Receive input channel 18
	P10.13	O0		General-purpose output
	GTM_TOUT268	O1		GTM muxed output
	ASCLIN6_ASLSO	O2		Slave select signal output
	—	O3		Reserved
	—	O4		Reserved
	—	O5		Reserved
	—	O6		Reserved
—	O7	Reserved		
B5	P10.14	I	SLOW / PU1 / VEXT / ES	General-purpose input
	GTM_TIM7_IN0_4			Mux input channel 0 of TIM module 7
	GTM_TIM4_IN3_4			Mux input channel 3 of TIM module 4
	GTM_TIM0_IN3_11			Mux input channel 3 of TIM module 0
	SENT_SENT17C			Receive input channel 17
	P10.14	O0		General-purpose output
	GTM_TOUT267	O1		GTM muxed output
	—	O2		Reserved
	—	O3		Reserved
	—	O4		Reserved
	—	O5		Reserved
	—	O6		Reserved
—	O7	Reserved		
A5	P10.15	I	SLOW / PU1 / VEXT / ES	General-purpose input
	GTM_TIM7_IN1_4			Mux input channel 1 of TIM module 7
	GTM_TIM4_IN6_4			Mux input channel 6 of TIM module 4
	GTM_TIM0_IN6_9			Mux input channel 6 of TIM module 0
	P10.15			O0
	GTM_TOUT270	O1		GTM muxed output
	—	O2		Reserved
	—	O3		Reserved
	—	O4		Reserved
	—	O5		Reserved
	—	O6		Reserved
	—	O7		Reserved

Pin Definition and Functions: LFBGA-516 Package Variant Pin Configuration

Table 2-5 Port 11 Functions

Ball	Symbol	Ctrl.	Buffer Type	Function
K15	P11.0	I	RFAST / PU1 / VFLEX / ES	General-purpose input
	GTM_TIM7_IN5_1			Mux input channel 5 of TIM module 7
	GTM_TIM4_IN0_4			Mux input channel 0 of TIM module 4
	GTM_TIM2_IN0_7			Mux input channel 0 of TIM module 2
	ASCLIN3_ARXB			Receive input
	GTM_DTMA2_1			CDTM2_DTM4
	P11.0	O0		General-purpose output
	GTM_TOUT119	O1		GTM muxed output
	ASCLIN3_ATX	O2		Transmit output
	IOM_MON2_15			Monitor input 2
	IOM_REF2_15			Reference input 2
	—	O3		Reserved
	—	O4		Reserved
	CAN11_TXD	O5		CAN transmit output node 1
GETH_TXD3	O6	Transmit Data		
—	O7	Reserved		
K14	P11.1	I	RFAST / PU1 / VFLEX / ES	General-purpose input
	GTM_TIM7_IN6_1			Mux input channel 6 of TIM module 7
	GTM_TIM4_IN1_5			Mux input channel 1 of TIM module 4
	GTM_TIM2_IN1_6			Mux input channel 1 of TIM module 2
	P11.1	O0		General-purpose output
	GTM_TOUT120	O1		GTM muxed output
	ASCLIN3_ASCLK	O2		Shift clock output
	ASCLIN3_ATX	O3		Transmit output
	IOM_MON2_15			Monitor input 2
	IOM_REF2_15			Reference input 2
	—	O4		Reserved
	CAN12_TXD	O5		CAN transmit output node 2
	GETH_TXD2	O6		Transmit Data
	—	O7		Reserved

Pin Definition and Functions: LFBGA-516 Package Variant Pin Configuration

Table 2-5 Port 11 Functions (cont'd)

Ball	Symbol	Ctrl.	Buffer Type	Function
F15	P11.2	I	RFAST / PU1 / VFLEX / ES	General-purpose input
	GTM_TIM3_IN1_3			Mux input channel 1 of TIM module 3
	GTM_TIM2_IN1_3			Mux input channel 1 of TIM module 2
	P11.2	O0		General-purpose output
	GTM_TOUT95	O1		GTM muxed output
	—	O2		Reserved
	QSPI0_SLSO5	O3		Master slave select output
	QSPI1_SLSO5	O4		Master slave select output
	MSC0_EN1	O5		Chip Select
	GETH_TXD1	O6		Transmit Data
	CCU60_COUT63	O7		T13 PWM channel 63
	IOM_MON1_6			Monitor input 1
	IOM_REF1_0			Reference input 1
	G15	P11.3		I
GTM_TIM3_IN2_2		Mux input channel 2 of TIM module 3		
GTM_TIM2_IN2_2		Mux input channel 2 of TIM module 2		
MSC0_SDI3		Upstream assynchronous input signal		
QSPI1_MRSTB			Master SPI data input	
P11.3		O0	General-purpose output	
GTM_TOUT96		O1	GTM muxed output	
—		O2	Reserved	
QSPI1_MRST		O3	Slave SPI data output	
IOM_MON2_1			Monitor input 2	
IOM_REF2_1			Reference input 2	
ERAY0_TXDA		O4	Transmit Channel A	
—		O5	Reserved	
GETH_TXD0		O6	Transmit Data	
CCU60_COUT62		O7	T12 PWM channel 62	
IOM_MON1_5			Monitor input 1	
IOM_REF1_1			Reference input 1	

Pin Definition and Functions: LFBGA-516 Package Variant Pin Configuration

Table 2-5 Port 11 Functions (cont'd)

Ball	Symbol	Ctrl.	Buffer Type	Function
J15	P11.4	I	RFAST / PU1 / VFLEX / ES	General-purpose input
	GTM_TIM7_IN7_1			Mux input channel 7 of TIM module 7
	GTM_TIM4_IN2_5			Mux input channel 2 of TIM module 4
	GTM_TIM2_IN2_6			Mux input channel 2 of TIM module 2
	GETH_RXCLKB			Receive Clock MII
	P11.4	O0		General-purpose output
	GTM_TOUT121	O1		GTM muxed output
	ASCLIN3_ASCLK	O2		Shift clock output
	—	O3		Reserved
	—	O4		Reserved
	CAN13_TXD	O5		CAN transmit output node 3
	GETH_TXER	O6		Transmit Error MII
GETH_TXCLK	O7		Transmit Clock Output for RGMII	
J13	P11.5	I	SLOW / RGMII_In put / PU1 / VFLEX / ES	General-purpose input
	GTM_TIM4_IN3_5			Mux input channel 3 of TIM module 4
	GTM_TIM2_IN3_8			Mux input channel 3 of TIM module 2
	GETH_TXCLKA			Transmit Clock Input for MII
	GETH_GREFCLK			Gigabit Reference Clock input for RGMII (125 MHz high precision)
	P11.5	O0		General-purpose output
	GTM_TOUT122	O1		GTM muxed output
	—	O2		Reserved
	—	O3		Reserved
	—	O4		Reserved
	CAN20_TXD	O5		CAN transmit output node 0
	—	O6		Reserved
—	O7		Reserved	

Pin Definition and Functions: LFBGA-516 Package Variant Pin Configuration

Table 2-5 Port 11 Functions (cont'd)

Ball	Symbol	Ctrl.	Buffer Type	Function
J14	P11.6	I	RFAST / PU1 / VFLEX / ES	General-purpose input
	GTM_TIM3_IN3_2			Mux input channel 3 of TIM module 3
	GTM_TIM2_IN3_2			Mux input channel 3 of TIM module 2
	QSPI1_SCLKB			Slave SPI clock inputs
	P11.6	O0		General-purpose output
	GTM_TOUT97	O1		GTM muxed output
	ERAY0_TXENB	O2		Transmit Enable Channel B
	QSPI1_SCLK	O3		Master SPI clock output
	ERAY0_TXENA	O4		Transmit Enable Channel A
	MSC0_FCLP	O5		Shift-clock direct part of the differential signal
	GETH_TXEN	O6		Transmit Enable MII and RMII
	GETH_TCTL		Transmit Control for RGMII	
	CCU60_COUT61	O7		T12 PWM channel 61
	IOM_MON1_4		Monitor input 1	
IOM_REF1_2	Reference input 1			
K13	P11.7	I	SLOW / RGMII_In put / PU1 / VFLEX / ES	General-purpose input
	GTM_TIM4_IN4_5			Mux input channel 4 of TIM module 4
	GTM_TIM2_IN4_7			Mux input channel 4 of TIM module 2
	GETH_RXD3A			Receive Data 3 MII and RGMII (RGMII can use RXD3A only)
	CAN11_RXDD			CAN receive input node 1
	P11.7	O0		General-purpose output
	GTM_TOUT123	O1		GTM muxed output
	—	O2		Reserved
	—	O3		Reserved
	—	O4		Reserved
	—	O5		Reserved
	—	O6		Reserved
	—	O7		Reserved

Pin Definition and Functions: LFBGA-516 Package Variant Pin Configuration

Table 2-5 Port 11 Functions (cont'd)

Ball	Symbol	Ctrl.	Buffer Type	Function
K12	P11.8	I	SLOW / RGMII_ Input / PU1 / VFLEX / ES	General-purpose input
	GTM_TIM4_IN5_5			Mux input channel 5 of TIM module 4
	GTM_TIM2_IN5_8			Mux input channel 5 of TIM module 2
	GETH_RXD2A			Receive Data 2 MII and RGMII (RGMII can use RXD2A only)
	CAN12_RXDD			CAN receive input node 2
	P11.8	O0	General-purpose output	
	GTM_TOUT124	O1	GTM muxed output	
	—	O2	Reserved	
	—	O3	Reserved	
	—	O4	Reserved	
	—	O5	Reserved	
	—	O6	Reserved	
	—	O7	Reserved	
F14	P11.9	I	FAST / RGMII_ Input / PU1 / VFLEX / ES	General-purpose input
	GTM_TIM3_IN4_2			Mux input channel 4 of TIM module 3
	GTM_TIM2_IN4_2			Mux input channel 4 of TIM module 2
	QSPI1_MTSRB			Slave SPI data input
	ERAY0_RXDA1			Receive Channel A1
	GETH_RXD1A			Receive Data 1 MII, RMII and RGMII (RGMII can use RXD1A only)
	P11.9	O0	General-purpose output	
	GTM_TOUT98	O1	GTM muxed output	
	—	O2	Reserved	
	QSPI1_MTSTR	O3	Master SPI data output	
	—	O4	Reserved	
	MSC0_SOP	O5	Data output - direct part of the differential signal	
	—	O6	Reserved	
	CCU60_COUT60	O7	T12 PWM channel 60	
	IOM_MON1_3		Monitor input 1	
IOM_REF1_3		Reference input 1		

Pin Definition and Functions: LFBGA-516 Package Variant Pin Configuration

Table 2-5 Port 11 Functions (cont'd)

Ball	Symbol	Ctrl.	Buffer Type	Function	
G14	P11.10	I	FAST / RGMII_ Input / PU1 / VFLEX / ES	General-purpose input	
	GTM_TIM3_IN5_2			Mux input channel 5 of TIM module 3	
	GTM_TIM2_IN5_2			Mux input channel 5 of TIM module 2	
	GTM_TIM2_IN0_9			Mux input channel 0 of TIM module 2	
	CAN03_RXDD			CAN receive input node 3	
	ERAY0_RXDB1			Receive Channel B1	
	ASCLIN1_ARXE			Receive input	
	SCU_E_REQ6_3			ERU Channel 6 inputs 0 to 5 (0 is the LSB and 5 is the MSB)	
	MSC0_SDI0			Upstream asynchronous input signal	
	GETH_RXD0A			Receive Data 0 MII, RMII and RGMII (RGMII can use RXD0A only)	
	QSPI1_SLSIA			Slave select input	
	P11.10			O0	General-purpose output
	GTM_TOUT99			O1	GTM muxed output
	—			O2	Reserved
QSPI0_SLSO3	O3	Master slave select output			
QSPI1_SLSO3	O4	Master slave select output			
—	O5	Reserved			
—	O6	Reserved			
CCU60_CC62	O7	T12 PWM channel 62			
IOM_MON1_0		Monitor input 1			
IOM_REF1_4		Reference input 1			

Pin Definition and Functions: LFBGA-516 Package Variant Pin Configuration

Table 2-5 Port 11 Functions (cont'd)

Ball	Symbol	Ctrl.	Buffer Type	Function
F13	P11.11	I	FAST / RGMII_In put / PU1 / VFLEX / ES	General-purpose input
	GTM_TIM3_IN6_2			Mux input channel 6 of TIM module 3
	GTM_TIM3_IN0_14			Mux input channel 0 of TIM module 3
	GTM_TIM2_IN6_2			Mux input channel 6 of TIM module 2
	GETH_CRSDVA			Carrier Sense / Data Valid combi-signal for RMII
	GETH_RXDVA			Receive Data Valid MII
	GETH_CRSB			Carrier Sense MII
	GETH_RCTLA			Receive Control for RGMII
	P11.11	O0	General-purpose output	
	GTM_TOUT100	O1	GTM muxed output	
	—	O2	Reserved	
	QSPIO_SLSO4	O3	Master slave select output	
	QSPI1_SLSO4	O4	Master slave select output	
	MSC0_EN0	O5	Chip Select	
	ERAY0_TXENB	O6	Transmit Enable Channel B	
	CCU60_CC61	O7	T12 PWM channel 61	
	IOM_MON1_1		Monitor input 1	
IOM_REF1_5		Reference input 1		
G13	P11.12	I	FAST / RGMII_In put / PU1 / VFLEX / ES	General-purpose input
	GTM_TIM3_IN7_2			Mux input channel 7 of TIM module 3
	GTM_TIM2_IN7_2			Mux input channel 7 of TIM module 2
	GETH_REFCLKA			Reference Clock input for RMII (50 MHz)
	GETH_TXCLKB			Transmit Clock Input for MII
	GETH_RXCLKA			Receive Clock MII
	P11.12	O0	General-purpose output	
	GTM_TOUT101	O1	GTM muxed output	
	ASCLIN1_ATX	O2	Transmit output	
	IOM_MON2_13		Monitor input 2	
	IOM_REF2_13		Reference input 2	
	GTM_CLK2	O3	CGM generated clock	
	ERAY0_TXDB	O4	Transmit Channel B	
	CAN03_TXD	O5	CAN transmit output node 3	
	IOM_MON2_8		Monitor input 2	
	IOM_REF2_8		Reference input 2	
	CCU_EXTCLK1	O6	External Clock 1	
CCU60_CC60	O7	T12 PWM channel 60		
IOM_MON1_2		Monitor input 1		
IOM_REF1_6		Reference input 1		

Pin Definition and Functions: LFBGA-516 Package Variant Pin Configuration

Table 2-5 Port 11 Functions (cont'd)

Ball	Symbol	Ctrl.	Buffer Type	Function
K11	P11.13	I	SLOW / PU1 / VFLEX / ES	General-purpose input
	GTM_TIM4_IN6_5			Mux input channel 6 of TIM module 4
	GTM_TIM2_IN6_7			Mux input channel 6 of TIM module 2
	GETH_RXERA			Receive Error MII
	I2C1_SDAA			Serial Data Input 0
	CAN13_RXDD			CAN receive input node 3
	P11.13			O0
	GTM_TOUT125	O1	GTM muxed output	
	—	O2	Reserved	
	—	O3	Reserved	
	—	O4	Reserved	
	—	O5	Reserved	
	I2C1_SDA	O6	Serial Data Output	
	—	O7	Reserved	
J12	P11.14	I	SLOW / PU1 / VFLEX / ES	General-purpose input
	GTM_TIM4_IN7_4			Mux input channel 7 of TIM module 4
	GTM_TIM2_IN7_8			Mux input channel 7 of TIM module 2
	GETH_CRSDVB			Carrier Sense / Data Valid combi-signal for RMII
	GETH_RXDVB			Receive Data Valid MII
	GETH_CRSA			Carrier Sense MII
	I2C1_SCLA			Serial Clock Input 0
	CAN20_RXDF	CAN receive input node 0		
	P11.14	O0	General-purpose output	
	GTM_TOUT126	O1	GTM muxed output	
	—	O2	Reserved	
	—	O3	Reserved	
	—	O4	Reserved	
	—	O5	Reserved	
I2C1_SCL	O6	Serial Clock Output		
—	O7	Reserved		

Pin Definition and Functions: LFBGA-516 Package Variant Pin Configuration

Table 2-5 Port 11 Functions (cont'd)

Ball	Symbol	Ctrl.	Buffer Type	Function
J11	P11.15	I	SLOW / PU1 / VFLEX / ES	General-purpose input
	GTM_TIM4_IN7_5			Mux input channel 7 of TIM module 4
	GTM_TIM0_IN7_8			Mux input channel 7 of TIM module 0
	GETH_COLA			Collision MII
	P11.15	O0		General-purpose output
	GTM_TOUT127	O1		GTM muxed output
	—	O2		Reserved
	—	O3		Reserved
	—	O4		Reserved
	—	O5		Reserved
	—	O6		Reserved
	—	O7		Reserved

Table 2-6 Port 12 Functions

Ball	Symbol	Ctrl.	Buffer Type	Function
K17	P12.0	I	SLOW / PU1 / VFLEX / ES	General-purpose input
	GTM_TIM7_IN3_2			Mux input channel 3 of TIM module 7
	GTM_TIM4_IN0_5			Mux input channel 0 of TIM module 4
	GTM_TIM3_IN0_7			Mux input channel 0 of TIM module 3
	CAN00_RXDC			CAN receive input node 0
	GETH_RXCLKC			Receive Clock MII
	GTM_DTMA4_0			CDTM4_DTM4
	P12.0			O0
	GTM_TOUT128	O1		GTM muxed output
	—	O2		Reserved
	—	O3		Reserved
	—	O4		Reserved
	—	O5		Reserved
	GETH_MDC	O6		MDIO clock
	—	O7		Reserved

Pin Definition and Functions: LFBGA-516 Package Variant Pin Configuration

Table 2-6 Port 12 Functions (cont'd)

Ball	Symbol	Ctrl.	Buffer Type	Function
K16	P12.1	I	SLOW / PU1 / VFLEX / ES	General-purpose input
	GTM_TIM7_IN4_1			Mux input channel 4 of TIM module 7
	GTM_TIM4_IN1_6			Mux input channel 1 of TIM module 4
	GTM_TIM3_IN1_6			Mux input channel 1 of TIM module 3
	GETH_MDIOC			MDIO Input
	P12.1	O0	General-purpose output	
	GTM_TOUT129	O1	GTM muxed output	
	ASCLIN3_ASLSO	O2	Slave select signal output	
	—	O3	Reserved	
	—	O4	Reserved	
	CAN00_TXD	O5	CAN transmit output node 0	
	IOM_MON2_5		Monitor input 2	
	IOM_REF2_5		Reference input 2	
	—	O6	Reserved	
—	O7	Reserved		
GETH_MDIO	O	MDIO Output		

Table 2-7 Port 13 Functions

Ball	Symbol	Ctrl.	Buffer Type	Function
G17	P13.0	I	LVDS_TX / FAST / PU1 / VEXT / ES6	General-purpose input
	GTM_TIM3_IN5_3			Mux input channel 5 of TIM module 3
	GTM_TIM2_IN5_3			Mux input channel 5 of TIM module 2
	ASCLIN10_ARXC			Receive input
	P13.0	O0	General-purpose output	
	GTM_TOUT91	O1	GTM muxed output	
	ASCLIN10_ATX	O2	Transmit output	
	QSPI2_SCLKN	O3	Master SPI clock output (LVDS N line)	
	MSC0_EN1	O4	Chip Select	
	MSC0_FCLN	O5	Shift-clock inverted part of the differential signal	
	—	O6	Reserved	
CAN10_TXD	O7	CAN transmit output node 0		

Pin Definition and Functions: LFBGA-516 Package Variant Pin Configuration

Table 2-7 Port 13 Functions (cont'd)

Ball	Symbol	Ctrl.	Buffer Type	Function
F17	P13.1	I	LVDS_TX / FAST / PU1 / VEXT / ES6	General-purpose input
	GTM_TIM3_IN6_3			Mux input channel 6 of TIM module 3
	GTM_TIM2_IN6_3			Mux input channel 6 of TIM module 2
	I2C0_SCLB			Serial Clock Input 1
	CAN10_RXDD			CAN receive input node 0
	ASCLIN10_ARXD			Receive input
	P13.1			O0
	GTM_TOUT92	O1	GTM muxed output	
	—	O2	Reserved	
	QSPI2_SCLKP	O3	Master SPI clock output (LVDS P line)	
	—	O4	Reserved	
	MSC0_FCLP	O5	Shift-clock direct part of the differential signal	
	I2C0_SCL	O6	Serial Clock Output	
—	O7	Reserved		
G16	P13.2	I	LVDS_TX / FAST / PU1 / VEXT / ES6	General-purpose input
	GTM_TIM3_IN7_3			Mux input channel 7 of TIM module 3
	GTM_TIM2_IN7_3			Mux input channel 7 of TIM module 2
	GPT120_CAPINA			Trigger input to capture value of timer T5 into CAPREL register
	I2C0_SDAB			Serial Data Input 1
	P13.2	O0	General-purpose output	
	GTM_TOUT93	O1	GTM muxed output	
	ASCLIN10_ASCLK	O2	Shift clock output	
	QSPI2_MTSRN	O3	Master SPI data output (LVDS N line)	
	MSC0_FCLP	O4	Shift-clock direct part of the differential signal	
	MSC0_SON	O5	Data output - inverted part of the differential signal	
	I2C0_SDA	O6	Serial Data Output	
	—	O7	Reserved	

Pin Definition and Functions: LFBGA-516 Package Variant Pin Configuration

Table 2-7 Port 13 Functions (cont'd)

Ball	Symbol	Ctrl.	Buffer Type	Function
F16	P13.3	I	LVDS_TX / FAST / PU1 / VEXT / ES6	General-purpose input
	GTM_TIM3_IN0_3			Mux input channel 0 of TIM module 3
	GTM_TIM2_IN0_3			Mux input channel 0 of TIM module 2
	P13.3			O0
	GTM_TOUT94	O1		GTM muxed output
	ASCLIN10_ASLSO	O2		Slave select signal output
	QSPI2_MTSRP	O3		Master SPI data output (LVDS P line)
	—	O4		Reserved
	MSC0_SOP	O5		Data output - direct part of the differential signal
	—	O6		Reserved
—	O7	Reserved		
B16	P13.4	I	LVDS_TX / FAST / PU1 / VEXT / ES6	General-purpose input
	GTM_TIM6_IN0_4			Mux input channel 0 of TIM module 6
	GTM_TIM5_IN3_4			Mux input channel 3 of TIM module 5
	GTM_TIM3_IN3_8			Mux input channel 3 of TIM module 3
	P13.4	O0		General-purpose output
	GTM_TOUT253	O1		GTM muxed output
	—	O2		Reserved
	—	O3		Reserved
	MSC2_EN0	O4		Chip Select
	MSC2_FCLN	O5		Shift-clock inverted part of the differential signal
—	O6	Reserved		
CAN23_TXD	O7	CAN transmit output node 3		
A16	P13.5	I	LVDS_TX / FAST / PU1 / VEXT / ES6	General-purpose input
	GTM_TIM6_IN1_4			Mux input channel 1 of TIM module 6
	GTM_TIM5_IN4_4			Mux input channel 4 of TIM module 5
	GTM_TIM3_IN4_9			Mux input channel 4 of TIM module 3
	CAN23_RXDD			CAN receive input node 3
	P13.5	O0		General-purpose output
	GTM_TOUT254	O1		GTM muxed output
	—	O2		Reserved
	—	O3		Reserved
	—	O4		Reserved
MSC2_FCLP	O5	Shift-clock direct part of the differential signal		
—	O6	Reserved		
—	O7	Reserved		

Pin Definition and Functions: LFBGA-516 Package Variant Pin Configuration

Table 2-7 Port 13 Functions (cont'd)

Ball	Symbol	Ctrl.	Buffer Type	Function
B15	P13.6	I	LVDS_TX / FAST / PU1 / VEXT / ES6	General-purpose input
	GTM_TIM6_IN2_4			Mux input channel 2 of TIM module 6
	GTM_TIM5_IN5_4			Mux input channel 5 of TIM module 5
	GTM_TIM3_IN5_10			Mux input channel 5 of TIM module 3
	P13.6	O0		General-purpose output
	GTM_TOUT255	O1		GTM muxed output
	—	O2		Reserved
	—	O3		Reserved
	—	O4		Reserved
	MSC2_SON	O5		Data output - inverted part of the differential signal
	—	O6		Reserved
—	O7	Reserved		
A15	P13.7	I	LVDS_TX / FAST / PU1 / VEXT / ES6	General-purpose input
	GTM_TIM6_IN3_4			Mux input channel 3 of TIM module 6
	GTM_TIM5_IN6_4			Mux input channel 6 of TIM module 5
	GTM_TIM3_IN6_10			Mux input channel 6 of TIM module 3
	P13.7	O0		General-purpose output
	GTM_TOUT256	O1		GTM muxed output
	—	O2		Reserved
	—	O3		Reserved
	—	O4		Reserved
	MSC2_SOP	O5		Data output - direct part of the differential signal
	—	O6		Reserved
—	O7	Reserved		

Pin Definition and Functions: LFBGA-516 Package Variant Pin Configuration

Table 2-7 Port 13 Functions (cont'd)

Ball	Symbol	Ctrl.	Buffer Type	Function
A14	P13.9	I	FAST / PU1 / VEXT / ES	General-purpose input
	GTM_TIM6_IN4_4			Mux input channel 4 of TIM module 6
	GTM_TIM4_IN7_6			Mux input channel 7 of TIM module 4
	GTM_TIM2_IN7_12			Mux input channel 7 of TIM module 2
	I2C1_SCLB			Serial Clock Input 1
	P13.9	O0		General-purpose output
	GTM_TOUT248	O1		GTM muxed output
	ASCLIN3_ATX	O2		Transmit output
	IOM_MON2_15			Monitor input 2
	IOM_REF2_15		Reference input 2	
	QSPI5_SLSO5	O3		Master slave select output
	—	O4		Reserved
	CAN21_TXD	O5		CAN transmit output node 1
	I2C1_SCL	O6		Serial Clock Output
—	O7		Reserved	
B13	P13.10	I	SLOW / PU1 / VEXT / ES	General-purpose input
	GTM_TIM6_IN5_4			Mux input channel 5 of TIM module 6
	GTM_TIM5_IN1_5			Mux input channel 1 of TIM module 5
	GTM_TIM3_IN1_8			Mux input channel 1 of TIM module 3
	PSI5_RX3A			RXD inputs (receive data) channel 3
	MSC3_SDI0			Upstream asynchronous input signal
	P13.10	O0		General-purpose output
	GTM_TOUT251	O1		GTM muxed output
	ASCLIN0_ATX	O2		Transmit output
	IOM_MON2_12			Monitor input 2
	IOM_REF2_12		Reference input 2	
	—	O3		Reserved
	—	O4		Reserved
	—	O5		Reserved
—	O6		Reserved	
—	O7		Reserved	

Pin Definition and Functions: LFBGA-516 Package Variant Pin Configuration

Table 2-7 Port 13 Functions (cont'd)

Ball	Symbol	Ctrl.	Buffer Type	Function
A13	P13.11	I	SLOW / PU1 / VEXT / ES	General-purpose input
	GTM_TIM6_IN6_4			Mux input channel 6 of TIM module 6
	GTM_TIM5_IN0_9			Mux input channel 0 of TIM module 5
	GTM_TIM3_IN0_9			Mux input channel 0 of TIM module 3
	ASCLIN0_ARXE			Receive input
	ASCLIN7_ARXD			Receive input
	MSC3_INJ0			Injection signal from port
	P13.11	O0	General-purpose output	
	GTM_TOUT250	O1	GTM muxed output	
	—	O2	Reserved	
	—	O3	Reserved	
	PSI5_TX3	O4	TXD outputs (send data)	
	—	O5	Reserved	
	—	O6	Reserved	
—	O7	Reserved		
B12	P13.12	I	SLOW / PU1 / VEXT / ES	General-purpose input
	GTM_TIM6_IN7_4			Mux input channel 7 of TIM module 6
	GTM_TIM4_IN0_6			Mux input channel 0 of TIM module 4
	GTM_TIM0_IN0_11			Mux input channel 0 of TIM module 0
	ASCLIN3_ARXH			Receive input
	I2C1_SDAB			Serial Data Input 1
	CAN21_RXDB			CAN receive input node 1
	P13.12	O0	General-purpose output	
	GTM_TOUT249	O1	GTM muxed output	
	ASCLIN7_ATX	O2	Transmit output	
	—	O3	Reserved	
	—	O4	Reserved	
	—	O5	Reserved	
	I2C1_SDA	O6	Serial Data Output	
—	O7	Reserved		

Pin Definition and Functions: LFBGA-516 Package Variant Pin Configuration

Table 2-7 Port 13 Functions (cont'd)

Ball	Symbol	Ctrl.	Buffer Type	Function
A12	P13.13	I	SLOW / PU1 / VEXT / ES	General-purpose input
	GTM_TIM7_IN0_3			Mux input channel 0 of TIM module 7
	GTM_TIM5_IN5_5			Mux input channel 5 of TIM module 5
	GTM_TIM3_IN5_9			Mux input channel 5 of TIM module 3
	MSC2_INJ0			Injection signal from port
	PSI5_RX3B			RXD inputs (receive data) channel 3
	P13.13	O0	General-purpose output	
	GTM_TOUT262	O1	GTM muxed output	
	ASCLIN7_ASCLK	O2	Shift clock output	
	—	O3	Reserved	
	—	O4	Reserved	
	—	O5	Reserved	
	—	O6	Reserved	
	—	O7	Reserved	
B11	P13.14	I	SLOW / PU1 / VEXT / ES	General-purpose input
	GTM_TIM7_IN1_3			Mux input channel 1 of TIM module 7
	GTM_TIM5_IN2_4			Mux input channel 2 of TIM module 5
	GTM_TIM3_IN2_7			Mux input channel 2 of TIM module 3
	P13.14	O0	General-purpose output	
	GTM_TOUT252	O1	GTM muxed output	
	—	O2	Reserved	
	QSPI5_SLSO4	O3	Master slave select output	
	—	O4	Reserved	
	—	O5	Reserved	
	—	O6	Reserved	
	—	O7	Reserved	
A11	P13.15	I	SLOW / PU1 / VEXT / ES	General-purpose input
	GTM_TIM7_IN2_3			Mux input channel 2 of TIM module 7
	GTM_TIM5_IN7_4			Mux input channel 7 of TIM module 5
	GTM_TIM3_IN7_9			Mux input channel 7 of TIM module 3
	P13.15	O0	General-purpose output	
	GTM_TOUT264	O1	GTM muxed output	
	ASCLIN7_ASLSO	O2	Slave select signal output	
	—	O3	Reserved	
	PSI5_TX3	O4	TXD outputs (send data)	
	—	O5	Reserved	
	—	O6	Reserved	
—	O7	Reserved		

Pin Definition and Functions: LFBGA-516 Package Variant Pin Configuration

Table 2-8 Port 14 Functions

Ball	Symbol	Ctrl.	Buffer Type	Function
G21	P14.0	I	FAST / PU1 / VEXT / ES2	General-purpose input
	GTM_TIM1_IN3_5			Mux input channel 3 of TIM module 1
	GTM_TIM0_IN3_5			Mux input channel 3 of TIM module 0
	SENT_SENT17D			Receive input channel 17
	P14.0	O0		General-purpose output
	GTM_TOUT80	O1		GTM muxed output
	ASCLIN0_ATX	O2		Transmit output
	IOM_MON2_12			Monitor input 2
	IOM_REF2_12			Reference input 2
	ERAY0_TXDA	O3		Transmit Channel A
	ERAY0_TXDB	O4		Transmit Channel B
	CAN01_TXD	O5		CAN transmit output node 1
	IOM_MON2_6			Monitor input 2
	IOM_REF2_6			Reference input 2
	ASCLIN0_ASCLK	O6		Shift clock output
	CCU60_COUT62	O7		T12 PWM channel 62
	IOM_MON1_5			Monitor input 1
	IOM_REF1_1			Reference input 1

Pin Definition and Functions: LFBGA-516 Package Variant Pin Configuration

Table 2-8 Port 14 Functions (cont'd)

Ball	Symbol	Ctrl.	Buffer Type	Function
F20	P14.1	I	FAST / PU1 / VEXT / ES2	General-purpose input
	GTM_TIM1_IN4_3			Mux input channel 4 of TIM module 1
	GTM_TIM0_IN4_3			Mux input channel 4 of TIM module 0
	ERAY0_RXDA3			Receive Channel A3
	ASCLIN0_ARXA			Receive input
	SENT_SENT18D			Receive input channel 18
	ERAY0_RXDB3			Receive Channel B3
	CAN01_RXDB			CAN receive input node 1
	SCU_E_REQ3_1			ERU Channel 3 inputs 0 to 5 (0 is the LSB and 5 is the MSB)
	PMS_PINAWKP			PINA (P14.1) pin input
	P14.1	O0	General-purpose output	
	GTM_TOUT81	O1	GTM muxed output	
	ASCLIN0_ATX	O2	Transmit output	
	IOM_MON2_12		Monitor input 2	
	IOM_REF2_12		Reference input 2	
	—	O3	Reserved	
	—	O4	Reserved	
	—	O5	Reserved	
	—	O6	Reserved	
	CCU60_COUT63	O7	T13 PWM channel 63	
IOM_MON1_6		Monitor input 1		
IOM_REF1_0		Reference input 1		
K18	P14.2	I	SLOW / PU2 / VEXT / ES	General-purpose input
	GTM_TIM1_IN5_3			Mux input channel 5 of TIM module 1
	GTM_TIM0_IN5_3			Mux input channel 5 of TIM module 0
	PMS_HWCFG2IN			HWCFG2 pin input
	P14.2	O0	General-purpose output	
	GTM_TOUT82	O1	GTM muxed output	
	ASCLIN2_ATX	O2	Transmit output	
	IOM_MON2_14		Monitor input 2	
	IOM_REF2_14		Reference input 2	
	QSPI2_SLSO1	O3	Master slave select output	
	—	O4	Reserved	
	—	O5	Reserved	
	ASCLIN2_ASCLK	O6	Shift clock output	
	—	O7	Reserved	

Pin Definition and Functions: LFBGA-516 Package Variant Pin Configuration

Table 2-8 Port 14 Functions (cont'd)

Ball	Symbol	Ctrl.	Buffer Type	Function
G19	P14.3	I	SLOW / PU2 / VEXT / ES	General-purpose input
	GTM_TIM1_IN6_3			Mux input channel 6 of TIM module 1
	GTM_TIM0_IN6_3			Mux input channel 6 of TIM module 0
	PMS_HWCFG3IN			HWCFG3 pin input
	ASCLIN2_ARXA			Receive input
	MSC0_SDI2			Upstream assynchronous input signal
	SCU_E_REQ1_0			ERU Channel 1 inputs 0 to 5 (0 is the LSB and 5 is the MSB)
	P14.3	O0	General-purpose output	
	GTM_TOUT83	O1	GTM muxed output	
	ASCLIN2_ATX	O2	Transmit output	
	IOM_MON2_14		Monitor input 2	
	IOM_REF2_14		Reference input 2	
	QSPI2_SLSO3	O3	Master slave select output	
	ASCLIN1_ASLSO	O4	Slave select signal output	
	ASCLIN3_ASLSO	O5	Slave select signal output	
	—	O6	Reserved	
	—	O7	Reserved	
G20	P14.4	I	SLOW / PU2 / VEXT / ES	General-purpose input
	GTM_TIM1_IN7_2			Mux input channel 7 of TIM module 1
	GTM_TIM0_IN7_2			Mux input channel 7 of TIM module 0
	PMS_HWCFG6IN			HWCFG6 pin input
	GTM_DTMT0_0			CDTM0_DTM0
	P14.4	O0	General-purpose output	
	GTM_TOUT84	O1	GTM muxed output	
	—	O2	Reserved	
	—	O3	Reserved	
	—	O4	Reserved	
	—	O5	Reserved	
	GETH_PPS	O6	Pulse Per Second	
	—	O7	Reserved	

Pin Definition and Functions: LFBGA-516 Package Variant Pin Configuration

Table 2-8 Port 14 Functions (cont'd)

Ball	Symbol	Ctrl.	Buffer Type	Function
F19	P14.5	I	FAST / PU2 / VEXT / ES	General-purpose input
	GTM_TIM1_IN0_4			Mux input channel 0 of TIM module 1
	GTM_TIM0_IN0_4			Mux input channel 0 of TIM module 0
	PMS_HWCFG1IN			HWCFG1 pin input
	QSPI5_MRSTB			Master SPI data input
	GTM_DTMA2_0			CDTM2_DTM4
	P14.5			O0
	GTM_TOUT85	O1	GTM muxed output	
	—	O2	Reserved	
	QSPI5_MRST	O3	Slave SPI data output	
	—	O4	Reserved	
	—	O5	Reserved	
	ERAY0_TXDB	O6	Transmit Channel B	
	ERAY1_TXDB	O7	Transmit Channel B	
G18	P14.6	I	FAST / PU1 / VEXT / ES	General-purpose input
	GTM_TIM1_IN1_4			Mux input channel 1 of TIM module 1
	GTM_TIM0_IN1_4			Mux input channel 1 of TIM module 0
	QSPI5_MTSRB			Slave SPI data input
	P14.6	O0	General-purpose output	
	GTM_TOUT86	O1	GTM muxed output	
	QSPI5_MTSR	O2	Master SPI data output	
	QSPI2_SLSO2	O3	Master slave select output	
	CAN13_TXD	O4	CAN transmit output node 3	
	—	O5	Reserved	
	ERAY0_TXENB	O6	Transmit Enable Channel B	
	ERAY1_TXENB	O7	Transmit Enable Channel B	

Pin Definition and Functions: LFBGA-516 Package Variant Pin Configuration

Table 2-8 Port 14 Functions (cont'd)

Ball	Symbol	Ctrl.	Buffer Type	Function	
J18	P14.7	I	SLOW / PU1 / VEXT / ES	General-purpose input	
	GTM_TIM4_IN7_10			Mux input channel 7 of TIM module 4	
	GTM_TIM1_IN0_5			Mux input channel 0 of TIM module 1	
	GTM_TIM0_IN0_5			Mux input channel 0 of TIM module 0	
	ERAY0_RXDB0			Receive Channel B0	
	ERAY1_RXDB0			Receive Channel B0	
	CAN10_RXDB			CAN receive input node 0	
	CAN13_RXDA			CAN receive input node 3	
	ASCLIN9_ARXC			Receive input	
	P14.7			O0	General-purpose output
	GTM_TOUT87			O1	GTM muxed output
	ASCLIN0_ARTS			O2	Ready to send output
	QSPI2_SLSO4			O3	Master slave select output
	ASCLIN9_ATX			O4	Transmit output
	—			O5	Reserved
—	O6	Reserved			
—	O7	Reserved			
F18	P14.8	I	SLOW / PU1 / VEXT / ES	General-purpose input	
	GTM_TIM3_IN2_3			Mux input channel 2 of TIM module 3	
	GTM_TIM2_IN2_3			Mux input channel 2 of TIM module 2	
	ERAY0_RXDA0			Receive Channel A0	
	CAN02_RXDD			CAN receive input node 2	
	ASCLIN1_ARXD			Receive input	
	ERAY1_RXDA0			Receive Channel A0	
	P14.8			O0	General-purpose output
	GTM_TOUT88			O1	GTM muxed output
	ASCLIN5_ASLSO			O2	Slave select signal output
	ASCLIN7_ASLSO			O3	Slave select signal output
	—			O4	Reserved
	—			O5	Reserved
	—			O6	Reserved
	—			O7	Reserved

Pin Definition and Functions: LFBGA-516 Package Variant Pin Configuration

Table 2-8 Port 14 Functions (cont'd)

Ball	Symbol	Ctrl.	Buffer Type	Function
J17	P14.9	I	LVDS_R X/FAST/ PU1/ VEXT/ ES	General-purpose input
	GTM_TIM3_IN3_3			Mux input channel 3 of TIM module 3
	GTM_TIM2_IN3_3			Mux input channel 3 of TIM module 2
	ASCLIN0_ACTSA			Clear to send input
	QSPI2_MRSTFN			Master SPI data input (LVDS N line)
	ASCLIN9_ARXD			Receive input
	P14.9	O0	General-purpose output	
	GTM_TOUT89	O1	GTM muxed output	
	CAN23_TXD	O2	CAN transmit output node 3	
	MSC0_EN1	O3	Chip Select	
	CAN10_TXD	O4	CAN transmit output node 0	
	ERAY0_TXENB	O5	Transmit Enable Channel B	
	ERAY0_TXENA	O6	Transmit Enable Channel A	
	ERAY1_TXENA	O7	Transmit Enable Channel A	
J16	P14.10	I	LVDS_R X/FAST/ PU1/ VEXT/ ES	General-purpose input
	GTM_TIM3_IN4_3			Mux input channel 4 of TIM module 3
	GTM_TIM2_IN4_3			Mux input channel 4 of TIM module 2
	CAN23_RXDA			CAN receive input node 3
	QSPI2_MRSTFP			Master SPI data input (LVDS P line)
	P14.10	O0	General-purpose output	
	GTM_TOUT90	O1	GTM muxed output	
	QSPI5_SCLK	O2	Master SPI clock output	
	MSC0_EN0	O3	Chip Select	
	ASCLIN1_ATX	O4	Transmit output	
	IOM_MON2_13	O5	Monitor input 2	
	IOM_REF2_13		Reference input 2	
	CAN02_TXD		CAN transmit output node 2	
	IOM_MON2_7	O6	Monitor input 2	
	IOM_REF2_7		Reference input 2	
	ERAY0_TXDA	O6	Transmit Channel A	
ERAY1_TXDA	O7	Transmit Channel A		

Pin Definition and Functions: LFBGA-516 Package Variant Pin Configuration

Table 2-8 Port 14 Functions (cont'd)

Ball	Symbol	Ctrl.	Buffer Type	Function
A20	P14.11	I	SLOW / PU1 / VEXT / ES	General-purpose input
	GTM_TIM7_IN6_2			Mux input channel 6 of TIM module 7
	GTM_TIM5_IN1_4			Mux input channel 1 of TIM module 5
	GTM_TIM3_IN1_9			Mux input channel 1 of TIM module 3
	MSC2_SDI1			Upstream asynchronous input signal
	P14.11	O0		General-purpose output
	GTM_TOUT258	O1		GTM muxed output
	—	O2		Reserved
	—	O3		Reserved
	MSC2_EN2	O4		Chip Select
	MSC2_SOP	O5		Data output - direct part of the differential signal
	—	O6		Reserved
	—	O7		Reserved
B19	P14.12	I	SLOW / PU1 / VEXT / ES	General-purpose input
	GTM_TIM6_IN4_3			Mux input channel 4 of TIM module 6
	GTM_TIM5_IN4_5			Mux input channel 4 of TIM module 5
	GTM_TIM3_IN4_8			Mux input channel 4 of TIM module 3
	MSC2_SDI0			Upstream asynchronous input signal
	P14.12	O0		General-purpose output
	GTM_TOUT261	O1		GTM muxed output
	ASCLIN5_ASCLK	O2		Shift clock output
	ASCLIN7_ASCLK	O3		Shift clock output
	—	O4		Reserved
	—	O5		Reserved
	QSPI5_SLSO6	O6		Master slave select output
	—	O7		Reserved

Pin Definition and Functions: LFBGA-516 Package Variant Pin Configuration

Table 2-8 Port 14 Functions (cont'd)

Ball	Symbol	Ctrl.	Buffer Type	Function
A19	P14.13	I	FAST / PU1 / VEXT / ES	General-purpose input
	GTM_TIM6_IN5_3			Mux input channel 5 of TIM module 6
	GTM_TIM5_IN3_5			Mux input channel 3 of TIM module 5
	GTM_TIM3_IN3_6			Mux input channel 3 of TIM module 3
	QSPI5_SCLKB			Slave SPI clock inputs
	P14.13	O0	General-purpose output	
	GTM_TOUT260	O1	GTM muxed output	
	—	O2	Reserved	
	QSPI5_SCLK	O3	Master SPI clock output	
	MSC2_EN1	O4	Chip Select	
	CAN22_TXD	O5	CAN transmit output node 2	
	—	O6	Reserved	
	—	O7	Reserved	
B18	P14.14	I	FAST / PU1 / VEXT / ES	General-purpose input
	GTM_TIM6_IN6_3			Mux input channel 6 of TIM module 6
	GTM_TIM5_IN2_3			Mux input channel 2 of TIM module 5
	GTM_TIM3_IN2_8			Mux input channel 2 of TIM module 3
	CAN22_RXDD			CAN receive input node 2
	P14.14	O0	General-purpose output	
	GTM_TOUT259	O1	GTM muxed output	
	ASCLIN5_ATX	O2	Transmit output	
	ASCLIN7_ATX	O3	Transmit output	
	MSC2_EN0	O4	Chip Select	
	CAN23_TXD	O5	CAN transmit output node 3	
	QSPI5_SLSO7	O6	Master slave select output	
	—	O7	Reserved	

Pin Definition and Functions: LFBGA-516 Package Variant Pin Configuration

Table 2-8 Port 14 Functions (cont'd)

Ball	Symbol	Ctrl.	Buffer Type	Function
A18	P14.15	I	SLOW / PU1 / VEXT / ES	General-purpose input
	GTM_TIM6_IN7_3			Mux input channel 7 of TIM module 6
	GTM_TIM5_IN6_5			Mux input channel 6 of TIM module 5
	GTM_TIM3_IN6_9			Mux input channel 6 of TIM module 3
	MSC2_INJ1			Injection signal from port
	ASCLIN5_ARXD			Receive input
	ASCLIN7_ARXA			Receive input
	CAN23_RXDC			CAN receive input node 3
	MSC3_INJ1			Injection signal from port
	P14.15	O0	General-purpose output	
	GTM_TOUT263	O1	GTM muxed output	
	ASCLIN1_ATX	O2	Transmit output	
	IOM_MON2_13		Monitor input 2	
	IOM_REF2_13		Reference input 2	
	—	O3	Reserved	
	—	O4	Reserved	
	—	O5	Reserved	
	QSPI5_SLSO8	O6	Master slave select output	
	—	O7	Reserved	

Pin Definition and Functions: LFBGA-516 Package Variant Pin Configuration

Table 2-9 Port 15 Functions

Ball	Symbol	Ctrl.	Buffer Type	Function	
G25	P15.0	I	FAST / PU1 / VEXT / ES	General-purpose input	
	GTM_TIM3_IN3_4			Mux input channel 3 of TIM module 3	
	GTM_TIM2_IN3_4			Mux input channel 3 of TIM module 2	
	SDMMC0_DAT7_IN			read data in	
	P15.0			O0	General-purpose output
	GTM_TOUT71			O1	GTM muxed output
	ASCLIN1_ATX			O2	Transmit output
	IOM_MON2_13				Monitor input 2
	IOM_REF2_13				Reference input 2
	QSPI0_SLSO13			O3	Master slave select output
	—			O4	Reserved
	CAN02_TXD			O5	CAN transmit output node 2
	IOM_MON2_7			O6	Monitor input 2
	IOM_REF2_7				Reference input 2
	ASCLIN1_ASCLK				Shift clock output
—	O7	Reserved			
SDMMC0_DAT7	O	write data out			
F23	P15.1	I	FAST / PU1 / VEXT / ES	General-purpose input	
	GTM_TIM3_IN4_4			Mux input channel 4 of TIM module 3	
	GTM_TIM2_IN4_4			Mux input channel 4 of TIM module 2	
	CAN02_RXDA			CAN receive input node 2	
	ASCLIN1_ARXA			Receive input	
	QSPI2_SLSIB			Slave select input	
	SCU_E_REQ7_2			ERU Channel 7 inputs 0 to 5 (0 is the LSB and 5 is the MSB)	
	P15.1			O0	General-purpose output
	GTM_TOUT72			O1	GTM muxed output
	ASCLIN1_ATX			O2	Transmit output
	IOM_MON2_13				Monitor input 2
	IOM_REF2_13				Reference input 2
	QSPI2_SLSO5			O3	Master slave select output
	—			O4	Reserved
	—			O5	Reserved
—	O6	Reserved			
SDMMC0_CLK	O7	card clock			

Pin Definition and Functions: LFBGA-516 Package Variant Pin Configuration

Table 2-9 Port 15 Functions (cont'd)

Ball	Symbol	Ctrl.	Buffer Type	Function
H24	P15.2	I	FAST / PU1 / VEXT / ES	General-purpose input
	GTM_TIM3_IN5_4			Mux input channel 5 of TIM module 3
	GTM_TIM2_IN5_4			Mux input channel 5 of TIM module 2
	QSPI2_SLSIA			Slave select input
	SENT_SENT10D			Receive input channel 10
	QSPI2_MRSTE			Master SPI data input
	QSPI2_HSIICINA			Highspeed capture channel
	P15.2	O0	General-purpose output	
	GTM_TOUT73	O1	GTM muxed output	
	ASCLIN0_ATX	O2	Transmit output	
	IOM_MON2_12		Monitor input 2	
	IOM_REF2_12		Reference input 2	
	QSPI2_SLSO0	O3	Master slave select output	
	—	O4	Reserved	
	CAN01_TXD	O5	CAN transmit output node 1	
	IOM_MON2_6		Monitor input 2	
	IOM_REF2_6		Reference input 2	
	ASCLIN0_ASCLK	O6	Shift clock output	
	—	O7	Reserved	
G22	P15.3	I	FAST / PU1 / VEXT / ES	General-purpose input
	GTM_TIM3_IN6_4			Mux input channel 6 of TIM module 3
	GTM_TIM2_IN6_4			Mux input channel 6 of TIM module 2
	CAN01_RXDA			CAN receive input node 1
	ASCLIN0_ARXB			Receive input
	QSPI2_SCLKA			Slave SPI clock inputs
	QSPI2_HSIICINB			Highspeed capture channel
	SDMMC0_CMD_IN	command in		
	P15.3	O0	General-purpose output	
	GTM_TOUT74	O1	GTM muxed output	
	ASCLIN0_ATX	O2	Transmit output	
	IOM_MON2_12		Monitor input 2	
	IOM_REF2_12		Reference input 2	
	QSPI2_SCLK	O3	Master SPI clock output	
	—	O4	Reserved	
	MSC0_EN1	O5	Chip Select	
	—	O6	Reserved	
	—	O7	Reserved	
	SDMMC0_CMD	O	command out	

Pin Definition and Functions: LFBGA-516 Package Variant Pin Configuration

Table 2-9 Port 15 Functions (cont'd)

Ball	Symbol	Ctrl.	Buffer Type	Function
F22	P15.4	I	FAST / PU1 / VEXT / ES	General-purpose input
	GTM_TIM3_IN7_4			Mux input channel 7 of TIM module 3
	GTM_TIM2_IN7_4			Mux input channel 7 of TIM module 2
	I2C0_SCLC			Serial Clock Input 2
	QSPI2_MRSTA			Master SPI data input
	SCU_E_REQ0_0			ERU Channel 0 inputs 0 to 5 (0 is the LSB and 5 is the MSB)
	SENT_SENT11D			Receive input channel 11
	P15.4			O0
	GTM_TOUT75	O1	GTM muxed output	
	ASCLIN1_ATX	O2	Transmit output	
	IOM_MON2_13		Monitor input 2	
	IOM_REF2_13		Reference input 2	
	QSPI2_MRST	O3	Slave SPI data output	
	IOM_MON2_2		Monitor input 2	
	IOM_REF2_2		Reference input 2	
	—	O4	Reserved	
	—	O5	Reserved	
	I2C0_SCL	O6	Serial Clock Output	
	CCU60_CC62	O7	T12 PWM channel 62	
	IOM_MON1_0		Monitor input 1	
IOM_REF1_4	Reference input 1			

Pin Definition and Functions: LFBGA-516 Package Variant Pin Configuration

Table 2-9 Port 15 Functions (cont'd)

Ball	Symbol	Ctrl.	Buffer Type	Function
K19	P15.5	I	FAST / PU1 / VEXT / ES	General-purpose input
	GTM_TIM3_IN0_4			Mux input channel 0 of TIM module 3
	GTM_TIM2_IN0_4			Mux input channel 0 of TIM module 2
	ASCLIN1_ARXB			Receive input
	I2C0_SDAC			Serial Data Input 2
	QSPI2_MTSRA			Slave SPI data input
	SCU_E_REQ4_3			ERU Channel 4 inputs 0 to 5 (0 is the LSB and 5 is the MSB)
	P15.5	O0	General-purpose output	
	GTM_TOUT76	O1	GTM muxed output	
	ASCLIN1_ATX	O2	Transmit output	
	IOM_MON2_13		Monitor input 2	
	IOM_REF2_13		Reference input 2	
	QSPI2_MTSR	O3	Master SPI data output	
	—	O4	Reserved	
	MSC0_EN0	O5	Chip Select	
	I2C0_SDA	O6	Serial Data Output	
	CCU60_CC61	O7	T12 PWM channel 61	
IOM_MON1_1	Monitor input 1			
IOM_REF1_5	Reference input 1			
F21	P15.6	I	FAST / PU1 / VEXT / ES	General-purpose input
	GTM_TIM2_IN2_14			Mux input channel 2 of TIM module 2
	GTM_TIM1_IN0_6			Mux input channel 0 of TIM module 1
	GTM_TIM0_IN0_6			Mux input channel 0 of TIM module 0
	QSPI2_MTSRB			Slave SPI data input
	P15.6	O0	General-purpose output	
	GTM_TOUT77	O1	GTM muxed output	
	ASCLIN3_ATX	O2	Transmit output	
	IOM_MON2_15		Monitor input 2	
	IOM_REF2_15		Reference input 2	
	QSPI2_MTSR	O3	Master SPI data output	
	QSPI5_SLSO3	O4	Master slave select output	
	QSPI2_SCLK	O5	Master SPI clock output	
	ASCLIN3_ASCLK	O6	Shift clock output	
	CCU60_CC60	O7	T12 PWM channel 60	
IOM_MON1_2	Monitor input 1			
IOM_REF1_6	Reference input 1			

Pin Definition and Functions: LFBGA-516 Package Variant Pin Configuration

Table 2-9 Port 15 Functions (cont'd)

Ball	Symbol	Ctrl.	Buffer Type	Function	
J20	P15.7	I	FAST / PU1 / VEXT / ES	General-purpose input	
	GTM_TIM1_IN1_5			Mux input channel 1 of TIM module 1	
	GTM_TIM0_IN1_5			Mux input channel 1 of TIM module 0	
	ASCLIN3_ARXA			Receive input	
	QSPI2_MRSTB			Master SPI data input	
	P15.7			O0	General-purpose output
	GTM_TOUT78			O1	GTM muxed output
	ASCLIN3_ATX			O2	Transmit output
	IOM_MON2_15			O3	Monitor input 2
	IOM_REF2_15				Reference input 2
	QSPI2_MRST	Slave SPI data output			
	IOM_MON2_2	O4	Monitor input 2		
	IOM_REF2_2		Reference input 2		
	—		Reserved		
	—		Reserved		
	—	O5	Reserved		
	—	O6	Reserved		
CCU60_COUT60	O7	T12 PWM channel 60			
IOM_MON1_3	O7	Monitor input 1			
IOM_REF1_3		Reference input 1			
J19	P15.8	I	FAST / PU1 / VEXT / ES	General-purpose input	
	GTM_TIM1_IN2_5			Mux input channel 2 of TIM module 1	
	GTM_TIM0_IN2_5			Mux input channel 2 of TIM module 0	
	QSPI2_SCLKB			Slave SPI clock inputs	
	SCU_E_REQ5_0			ERU Channel 5 inputs 0 to 5 (0 is the LSB and 5 is the MSB)	
	P15.8	O0	General-purpose output		
	GTM_TOUT79	O1	GTM muxed output		
	—	O2	Reserved		
	QSPI2_SCLK	O3	Master SPI clock output		
	—	O4	Reserved		
	—	O5	Reserved		
	ASCLIN3_ASCLK	O6	Shift clock output		
	CCU60_COUT61	O7	T12 PWM channel 61		
	IOM_MON1_4	O7	Monitor input 1		
IOM_REF1_2	Reference input 1				

Pin Definition and Functions: LFBGA-516 Package Variant Pin Configuration

Table 2-9 Port 15 Functions (cont'd)

Ball	Symbol	Ctrl.	Buffer Type	Function
B24	P15.10	I	LVDS_TX / FAST / PU1 / VEXT / ES6	General-purpose input
	GTM_TIM7_IN0_2			Mux input channel 0 of TIM module 7
	GTM_TIM4_IN1_7			Mux input channel 1 of TIM module 4
	GTM_TIM2_IN1_8			Mux input channel 1 of TIM module 2
	QSPI5_MRSTA			Master SPI data input
	P15.10	O0		General-purpose output
	GTM_TOUT242	O1		GTM muxed output
	—	O2		Reserved
	QSPI5_MRST	O3		Slave SPI data output
	MSC3_FCLN	O4		Shift-clock inverted part of the differential signal
	—	O5		Reserved
	—	O6		Reserved
—	O7	Reserved		
A24	P15.11	I	LVDS_TX / FAST / PU1 / VEXT / ES6	General-purpose input
	GTM_TIM7_IN1_2			Mux input channel 1 of TIM module 7
	GTM_TIM4_IN2_6			Mux input channel 2 of TIM module 4
	GTM_TIM2_IN2_8			Mux input channel 2 of TIM module 2
	QSPI5_SLSIA			Slave select input
	P15.11	O0		General-purpose output
	GTM_TOUT243	O1		GTM muxed output
	—	O2		Reserved
	QSPI5_SLSO2	O3		Master slave select output
	MSC3_FCLP	O4		Shift-clock direct part of the differential signal
	—	O5		Reserved
	—	O6		Reserved
—	O7	Reserved		
B23	P15.12	I	LVDS_TX / FAST / PU1 / VEXT / ES6	General-purpose input
	GTM_TIM7_IN2_2			Mux input channel 2 of TIM module 7
	GTM_TIM4_IN3_6			Mux input channel 3 of TIM module 4
	GTM_TIM2_IN3_6			Mux input channel 3 of TIM module 2
	P15.12			O0
	GTM_TOUT244	O1		GTM muxed output
	—	O2		Reserved
	QSPI5_SLSO1	O3		Master slave select output
	MSC3_SON	O4		Data output - inverted part of the differential signal
	—	O5		Reserved
	—	O6		Reserved
	—	O7		Reserved

Pin Definition and Functions: LFBGA-516 Package Variant Pin Configuration

Table 2-9 Port 15 Functions (cont'd)

Ball	Symbol	Ctrl.	Buffer Type	Function
A23	P15.13	I	LVDS_TX / FAST / PU1 / VEXT / ES6	General-purpose input
	GTM_TIM7_IN3_3			Mux input channel 3 of TIM module 7
	GTM_TIM4_IN4_6			Mux input channel 4 of TIM module 4
	GTM_TIM2_IN4_9			Mux input channel 4 of TIM module 2
	P15.13	O0		General-purpose output
	GTM_TOUT245	O1		GTM muxed output
	—	O2		Reserved
	QSPI5_SLSO0	O3		Master slave select output
	MSC3_SOP	O4		Data output - direct part of the differential signal
	—	O5		Reserved
	—	O6		Reserved
	—	O7		Reserved
B22	P15.14	I	FAST / PU1 / VEXT / ES	General-purpose input
	GTM_TIM7_IN4_2			Mux input channel 4 of TIM module 7
	GTM_TIM4_IN5_6			Mux input channel 5 of TIM module 4
	GTM_TIM2_IN5_12			Mux input channel 5 of TIM module 2
	QSPI5_MTSRA			Slave SPI data input
	P15.14	O0		General-purpose output
	GTM_TOUT246	O1		GTM muxed output
	—	O2		Reserved
	QSPI5_MTSR	O3		Master SPI data output
	MSC3_EN0	O4		Chip Select
	—	O5		Reserved
	—	O6		Reserved
—	O7	Reserved		
A22	P15.15	I	FAST / PU1 / VEXT / ES	General-purpose input
	GTM_TIM7_IN5_2			Mux input channel 5 of TIM module 7
	GTM_TIM4_IN6_6			Mux input channel 6 of TIM module 4
	GTM_TIM2_IN6_9			Mux input channel 6 of TIM module 2
	QSPI5_SCLKA			Slave SPI clock inputs
	P15.15	O0		General-purpose output
	GTM_TOUT247	O1		GTM muxed output
	—	O2		Reserved
	QSPI5_SCLK	O3		Master SPI clock output
	MSC3_EN1	O4		Chip Select
	—	O5		Reserved
	—	O6		Reserved
—	O7	Reserved		

Pin Definition and Functions: LFBGA-516 Package Variant Pin Configuration

Table 2-10 Port 20 Functions

Ball	Symbol	Ctrl.	Buffer Type	Function
N25	P20.0	I	FAST / PU1 / VEXT / ES	General-purpose input
	GTM_TIM1_IN6_7			Mux input channel 6 of TIM module 1
	GTM_TIM1_IN4_9			Mux input channel 4 of TIM module 1
	GTM_TIM0_IN6_7			Mux input channel 6 of TIM module 0
	CAN03_RXDC			CAN receive input node 3
	CCU_PAD_SYSCLK			Sysclk input
	CAN21_RXDC			CAN receive input node 1
	CBS_TGI0			Trigger input
	SCU_E_REQ6_0			ERU Channel 6 inputs 0 to 5 (0 is the LSB and 5 is the MSB)
	GPT120_T6EUDA			Count direction control input of core timer T6
	P20.0	O0	General-purpose output	
	GTM_TOUT59	O1	GTM muxed output	
	ASCLIN3_ATX	O2	Transmit output	
	IOM_MON2_15		Monitor input 2	
	IOM_REF2_15		Reference input 2	
	ASCLIN3_ASCLK	O3	Shift clock output	
	—	O4	Reserved	
	HSCT0_SYSCLK_OUT	O5	sys clock output	
	—	O6	Reserved	
	—	O7	Reserved	
CBS_TGO0	O	Trigger output		
M24	P20.1	I	SLOW / PU1 / VEXT / ES	General-purpose input
	GTM_TIM4_IN4_11			Mux input channel 4 of TIM module 4
	GTM_TIM3_IN3_5			Mux input channel 3 of TIM module 3
	GTM_TIM2_IN3_5			Mux input channel 3 of TIM module 2
	CBS_TGI1			Trigger input
	GTM_DTMA1_1			CDTM1_DTM4
	P20.1	O0	General-purpose output	
	GTM_TOUT60	O1	GTM muxed output	
	—	O2	Reserved	
	—	O3	Reserved	
	—	O4	Reserved	
	—	O5	Reserved	
	—	O6	Reserved	
	—	O7	Reserved	
	CBS_TGO1	O	Trigger output	

Pin Definition and Functions: LFBGA-516 Package Variant Pin Configuration

Table 2-10 Port 20 Functions (cont'd)

Ball	Symbol	Ctrl.	Buffer Type	Function
N24	P20.2	I	S / PU / VEXT	General-purpose input This pin is latched at power on reset release to enter test mode.
	$\overline{\text{TESTMODE}}$			Testmode Enable Input
M25	P20.3	I	SLOW / PU1 / VEXT / ES	General-purpose input
	GTM_TIM4_IN5_11			Mux input channel 5 of TIM module 4
	GTM_TIM3_IN4_5			Mux input channel 4 of TIM module 3
	GTM_TIM2_IN4_5			Mux input channel 4 of TIM module 2
	ASCLIN3_ARXC			Receive input
	GPT120_T6INA			Trigger/gate input of core timer T6
	P20.3	O0		General-purpose output
	GTM_TOUT61	O1		GTM muxed output
	ASCLIN3_ATX	O2		Transmit output
	IOM_MON2_15			Monitor input 2
	IOM_REF2_15			Reference input 2
	QSPI0_SLSO9	O3		Master slave select output
	QSPI2_SLSO9	O4		Master slave select output
	CAN03_TXD	O5		CAN transmit output node 3
	IOM_MON2_8			Monitor input 2
	IOM_REF2_8			Reference input 2
	CAN21_TXD	O6		CAN transmit output node 1
—	O7	Reserved		
L22	P20.6	I	SLOW / PU1 / VEXT / ES	General-purpose input
	GTM_TIM6_IN0_1			Mux input channel 0 of TIM module 6
	GTM_TIM3_IN6_5			Mux input channel 6 of TIM module 3
	GTM_TIM2_IN6_5			Mux input channel 6 of TIM module 2
	CAN12_RXDA			CAN receive input node 2
	ASCLIN9_ARXE			Receive input
	P20.6	O0		General-purpose output
	GTM_TOUT62	O1		GTM muxed output
	ASCLIN1_ARTS	O2		Ready to send output
	QSPI0_SLSO8	O3		Master slave select output
	QSPI2_SLSO8	O4		Master slave select output
	—	O5		Reserved
	—	O6		Reserved
	—	O7		Reserved

Pin Definition and Functions: LFBGA-516 Package Variant Pin Configuration

Table 2-10 Port 20 Functions (cont'd)

Ball	Symbol	Ctrl.	Buffer Type	Function	
L24	P20.7	I	FAST / PU1 / VEXT / ES	General-purpose input	
	GTM_TIM3_IN7_5			Mux input channel 7 of TIM module 3	
	GTM_TIM2_IN7_5			Mux input channel 7 of TIM module 2	
	GTM_TIM1_IN5_8			Mux input channel 5 of TIM module 1	
	GTM_TIM6_IN1_1			Mux input channel 1 of TIM module 6	
	CAN00_RXDB			CAN receive input node 0	
	ASCLIN1_ACTSA			Clear to send input	
	ASCLIN9_ARXF			Receive input	
	SDMMC0_DAT0_IN			read data in	
	P20.7			O0	General-purpose output
	GTM_TOUT63	O1	GTM muxed output		
	ASCLIN9_ATX	O2	Transmit output		
	—	O3	Reserved		
	—	O4	Reserved		
	CAN12_TXD	O5	CAN transmit output node 2		
	—	O6	Reserved		
	CCU61_COUT63	O7	T13 PWM channel 63		
	IOM_MON1_7		Monitor input 1		
	IOM_REF1_7		Reference input 1		
SDMMC0_DAT0	O	write data out			
L25	P20.8	I	FAST / PU1 / VEXT / ES	General-purpose input	
	GTM_TIM6_IN2_1			Mux input channel 2 of TIM module 6	
	GTM_TIM1_IN7_3			Mux input channel 7 of TIM module 1	
	GTM_TIM0_IN7_3			Mux input channel 7 of TIM module 0	
	SDMMC0_DAT1_IN			read data in	
	P20.8			O0	General-purpose output
	GTM_TOUT64			O1	GTM muxed output
	ASCLIN1_ASLSO			O2	Slave select signal output
	QSPI0_SLSO0			O3	Master slave select output
	QSPI1_SLSO0			O4	Master slave select output
	CAN00_TXD	O5	CAN transmit output node 0		
	IOM_MON2_5		Monitor input 2		
	IOM_REF2_5		Reference input 2		
	—	O6	Reserved		
	CCU61_CC60	O7	T12 PWM channel 60		
	IOM_MON1_8		Monitor input 1		
	IOM_REF1_13		Reference input 1		
	SDMMC0_DAT1	O	write data out		

Pin Definition and Functions: LFBGA-516 Package Variant Pin Configuration

Table 2-10 Port 20 Functions (cont'd)

Ball	Symbol	Ctrl.	Buffer Type	Function	
K22	P20.9	I	FAST / PU1 / VEXT / ES	General-purpose input	
	GTM_TIM6_IN3_1			Mux input channel 3 of TIM module 6	
	GTM_TIM3_IN5_5			Mux input channel 5 of TIM module 3	
	GTM_TIM2_IN5_5			Mux input channel 5 of TIM module 2	
	CAN03_RXDE			CAN receive input node 3	
	ASCLIN1_ARXC			Receive input	
	QSPIO_SLSIB			Slave select input	
	SCU_E_REQ7_0			ERU Channel 7 inputs 0 to 5 (0 is the LSB and 5 is the MSB)	
	P20.9			O0	General-purpose output
	GTM_TOUT65			O1	GTM muxed output
	—			O2	Reserved
	QSPIO_SLSO1			O3	Master slave select output
	QSPIO_SLSO1			O4	Master slave select output
	—	O5	Reserved		
	—	O6	Reserved		
	CCU61_CC61	O7	T12 PWM channel 61		
	IOM_MON1_9		Monitor input 1		
	IOM_REF1_12		Reference input 1		
	K24	P20.10	I	FAST / PU1 / VEXT / ES	General-purpose input
GTM_TIM3_IN6_6		Mux input channel 6 of TIM module 3			
GTM_TIM2_IN6_6		Mux input channel 6 of TIM module 2			
SDMMC0_DAT2_IN		read data in			
P20.10		O0			General-purpose output
GTM_TOUT66		O1			GTM muxed output
ASCLIN1_ATX		O2			Transmit output
IOM_MON2_13					Monitor input 2
IOM_REF2_13					Reference input 2
QSPIO_SLSO6		O3			Master slave select output
QSPIO_SLSO7		O4			Master slave select output
CAN03_TXD		O5			CAN transmit output node 3
IOM_MON2_8					Monitor input 2
IOM_REF2_8			Reference input 2		
ASCLIN1_ASCLK		O6	Shift clock output		
CCU61_CC62		O7	T12 PWM channel 62		
IOM_MON1_10			Monitor input 1		
IOM_REF1_11			Reference input 1		
SDMMC0_DAT2		O	write data out		

Pin Definition and Functions: LFBGA-516 Package Variant Pin Configuration

Table 2-10 Port 20 Functions (cont'd)

Ball	Symbol	Ctrl.	Buffer Type	Function
K25	P20.11	I	FAST / PU1 / VEXT / ES	General-purpose input
	GTM_TIM3_IN7_6			Mux input channel 7 of TIM module 3
	GTM_TIM2_IN7_6			Mux input channel 7 of TIM module 2
	QSPIO_SCLKA			Slave SPI clock inputs
	SDMMC0_DAT3_IN			read data in
	P20.11	O0		General-purpose output
	GTM_TOUT67	O1		GTM muxed output
	—	O2		Reserved
	QSPIO_SCLK	O3		Master SPI clock output
	—	O4		Reserved
	—	O5		Reserved
	—	O6		Reserved
	CCU61_COUT60	O7		T12 PWM channel 60
	IOM_MON1_11			Monitor input 1
	IOM_REF1_10			Reference input 1
SDMMC0_DAT3	O	write data out		
J24	P20.12	I	FAST / PU1 / VEXT / ES	General-purpose input
	GTM_TIM3_IN0_5			Mux input channel 0 of TIM module 3
	GTM_TIM2_IN0_5			Mux input channel 0 of TIM module 2
	QSPIO_MRSTA			Master SPI data input
	SDMMC0_DAT4_IN			read data in
	IOM_PIN_13	GPIO pad input to FPC		
	P20.12	O0		General-purpose output
	GTM_TOUT68	O1		GTM muxed output
	IOM_MON0_13	O2		Monitor input 0
	—			Reserved
	QSPIO_MRST			Slave SPI data output
	IOM_MON2_0	O3		Monitor input 2
	IOM_REF2_0			Reference input 2
	QSPIO_MTSR	O4		Master SPI data output
	—	O5		Reserved
	—	O6		Reserved
	CCU61_COUT61	O7		T12 PWM channel 61
	IOM_MON1_12	O		Monitor input 1
IOM_REF1_9	Reference input 1			
SDMMC0_DAT4	write data out			

Pin Definition and Functions: LFBGA-516 Package Variant Pin Configuration

Table 2-10 Port 20 Functions (cont'd)

Ball	Symbol	Ctrl.	Buffer Type	Function
J25	P20.13	I	FAST / PU1 / VEXT / ES	General-purpose input
	GTM_TIM3_IN1_4			Mux input channel 1 of TIM module 3
	GTM_TIM2_IN1_4			Mux input channel 1 of TIM module 2
	QSPIO_SLSIA			Slave select input
	SDMMC0_DAT5_IN			read data in
	IOM_PIN_14			GPIO pad input to FPC
	P20.13	O0	General-purpose output	
	GTM_TOUT69	O1	GTM muxed output	
	IOM_MON0_14		Monitor input 0	
	—	O2	Reserved	
	QSPIO_SLSO2	O3	Master slave select output	
	QSPIO_SLSO2	O4	Master slave select output	
	QSPIO_SCLK	O5	Master SPI clock output	
	—	O6	Reserved	
	CCU61_COUT62	O7	T12 PWM channel 62	
	IOM_MON1_13		Monitor input 1	
	IOM_REF1_8		Reference input 1	
	SDMMC0_DAT5	O	write data out	
H25	P20.14	I	FAST / PU1 / VEXT / ES	General-purpose input
	GTM_TIM3_IN2_4			Mux input channel 2 of TIM module 3
	GTM_TIM2_IN2_4			Mux input channel 2 of TIM module 2
	QSPIO_MTSRA			Slave SPI data input
	SDMMC0_DAT6_IN			read data in
	IOM_PIN_15			GPIO pad input to FPC
	P20.14	O0	General-purpose output	
	GTM_TOUT70	O1	GTM muxed output	
	IOM_MON0_15		Monitor input 0	
	—	O2	Reserved	
	QSPIO_MTSR	O3	Master SPI data output	
	—	O4	Reserved	
	—	O5	Reserved	
	—	O6	Reserved	
	—	O7	Reserved	
	SDMMC0_DAT6	O	write data out	

Pin Definition and Functions: LFBGA-516 Package Variant Pin Configuration

Table 2-11 Port 21 Functions

Ball	Symbol	Ctrl.	Buffer Type	Function
R22	P21.0	I	LVDS_R X/FAST/ PU1/ VEXT/ ES	General-purpose input
	GTM_TIM4_IN0_11			Mux input channel 0 of TIM module 4
	GTM_TIM3_IN4_6			Mux input channel 4 of TIM module 3
	GTM_TIM2_IN4_6			Mux input channel 4 of TIM module 2
	QSPI4_MRSTDN			Master SPI data input (LVDS N line)
	DMU_FDEST			Enter destructive debug mode
	ASCLIN11_ARXC			Receive input
	HSCT1_RXDN			Rx data
	P21.0			O0
	GTM_TOUT51	O1	GTM muxed output	
	ASCLIN11_ATX	O2	Transmit output	
	—	O3	Reserved	
	—	O4	Reserved	
	—	O5	Reserved	
	—	O6	Reserved	
—	O7	Reserved		
HSM_HSM1	O	Pin Output Value		
P22	P21.1	I	LVDS_R X/FAST/ PU1/ VEXT/ ES	General-purpose input
	GTM_TIM4_IN1_13			Mux input channel 1 of TIM module 4
	GTM_TIM3_IN5_6			Mux input channel 5 of TIM module 3
	GTM_TIM2_IN5_6			Mux input channel 5 of TIM module 2
	QSPI4_MRSTDP			Master SPI data input (LVDS P line)
	ASCLIN11_ARXD			Receive input
	HSCT1_RXDP			Rx data
	GTM_DTMA4_1			CDTM4_DTM4
	P21.1			O0
	GTM_TOUT52	O1	GTM muxed output	
	—	O2	Reserved	
	—	O3	Reserved	
	—	O4	Reserved	
	—	O5	Reserved	
	—	O6	Reserved	
—	O7	Reserved		
HSM_HSM2	O	Pin Output Value		

Pin Definition and Functions: LFBGA-516 Package Variant Pin Configuration

Table 2-11 Port 21 Functions (cont'd)

Ball	Symbol	Ctrl.	Buffer Type	Function
R24	P21.2	I	LVDS_R X/FAST/ PU1/ VEXT/ ES	General-purpose input
	GTM_TIM5_IN4_11			Mux input channel 4 of TIM module 5
	GTM_TIM1_IN0_7			Mux input channel 0 of TIM module 1
	GTM_TIM0_IN0_7			Mux input channel 0 of TIM module 0
	QSPI2_MRSTCN			Master SPI data input (LVDS N line)
	SCU_EMGSTOP_POR T_B			Emergency stop Port Pin B input request
	ASCLIN3_ARXGN			Differential Receive input (low active)
	HSCT0_RXDN			Rx data
	QSPI4_MRSTCN			Master SPI data input (LVDS N line)
	ASCLIN11_ARXE			Receive input
	GTM_DTMA1_0			CDTM1_DTM4
	P21.2	O0		General-purpose output
	GTM_TOUT53	O1		GTM muxed output
	ASCLIN3_ASLSO	O2		Slave select signal output
	—	O3		Reserved
	—	O4		Reserved
GETH_MDC	O5	MDIO clock		
—	O6	Reserved		
—	O7	Reserved		
P24	P21.3	I	LVDS_R X/FAST/ PU1/ VEXT/ ES	General-purpose input
	GTM_TIM5_IN5_12			Mux input channel 5 of TIM module 5
	GTM_TIM1_IN1_6			Mux input channel 1 of TIM module 1
	GTM_TIM0_IN1_6			Mux input channel 1 of TIM module 0
	QSPI2_MRSTCP			Master SPI data input (LVDS P line)
	ASCLIN3_ARXGP			Differential Receive input (high active)
	GETH_MDIOD			MDIO Input
	HSCT0_RXDP			Rx data
	QSPI4_MRSTCP			Master SPI data input (LVDS P line)
	P21.3	O0		General-purpose output
	GTM_TOUT54	O1		GTM muxed output
	ASCLIN11_ASCLK	O2		Shift clock output
	—	O3		Reserved
	—	O4		Reserved
	—	O5		Reserved
	—	O6		Reserved
—	O7	Reserved		
GETH_MDIO	O	MDIO Output		

Pin Definition and Functions: LFBGA-516 Package Variant Pin Configuration

Table 2-11 Port 21 Functions (cont'd)

Ball	Symbol	Ctrl.	Buffer Type	Function
R25	P21.4	I	LVDS_TX / FAST / PU1 / VEXT / ES6	General-purpose input
	GTM_TIM5_IN6_12			Mux input channel 6 of TIM module 5
	GTM_TIM1_IN2_6			Mux input channel 2 of TIM module 1
	GTM_TIM0_IN2_6			Mux input channel 2 of TIM module 0
	P21.4	O0		General-purpose output
	GTM_TOUT55	O1		GTM muxed output
	ASCLIN11_ASLSO	O2		Slave select signal output
	—	O3		Reserved
	—	O4		Reserved
	—	O5		Reserved
	—	O6		Reserved
	—	O7		Reserved
	H SCT0_TXDN	O		Tx data
P25	P21.5	I	LVDS_TX / FAST / PU1 / VEXT / ES6	General-purpose input
	GTM_TIM5_IN7_11			Mux input channel 7 of TIM module 5
	GTM_TIM1_IN3_6			Mux input channel 3 of TIM module 1
	GTM_TIM0_IN3_6			Mux input channel 3 of TIM module 0
	ASCLIN11_ARXF			Receive input
	P21.5	O0		General-purpose output
	GTM_TOUT56	O1		GTM muxed output
	ASCLIN3_ASCLK	O2		Shift clock output
	ASCLIN11_ATX	O3		Transmit output
	—	O4		Reserved
	—	O5		Reserved
	—	O6		Reserved
	—	O7		Reserved
H SCT0_TXDP	O	Tx data		

Pin Definition and Functions: LFBGA-516 Package Variant Pin Configuration

Table 2-11 Port 21 Functions (cont'd)

Ball	Symbol	Ctrl.	Buffer Type	Function
N22	P21.6/TDI	I	FAST / PD / PU2 / VEXT / ES3	General-purpose input PD during Reset and in DAP/DAPE or JTAG mode. After Reset release and when not in DAP/DAPE or JTAG mode: PU. In Standby mode: HighZ.
	GTM_TIM4_IN2_12			Mux input channel 2 of TIM module 4
	GTM_TIM1_IN4_8			Mux input channel 4 of TIM module 1
	GTM_TIM0_IN4_8			Mux input channel 4 of TIM module 0
	GPT120_T5EUDA			Count direction control input of timer T5
	ASCLIN3_ARXF			Receive input
	CBS_TGI2			Trigger input
	TDI			JTAG Module Data Input
	P21.6	O0	General-purpose output	
	GTM_TOUT57	O1	GTM muxed output	
	ASCLIN3_ASLSO	O2	Slave select signal output	
	—	O3	Reserved	
	—	O4	Reserved	
	—	O5	Reserved	
	—	O6	Reserved	
	GPT120_T3OUT	O7	External output for overflow/underflow detection of core timer T3	
	CBS_TGO2	O	Trigger output	
	DAP3	I/O	DAP: DAP3 Data I/O	
	DAPE1	I/O	DAPE: DAPE1 Data I/O	

Pin Definition and Functions: LFBGA-516 Package Variant Pin Configuration

Table 2-11 Port 21 Functions (cont'd)

Ball	Symbol	Ctrl.	Buffer Type	Function
N21	P21.7/TDO	I	FAST / PU2 / VEXT / ES4	General-purpose input
	GTM_TIM4_IN3_12			Mux input channel 3 of TIM module 4
	GTM_TIM1_IN5_7			Mux input channel 5 of TIM module 1
	GTM_TIM0_IN5_7			Mux input channel 5 of TIM module 0
	GPT120_T5INA			Trigger/gate input of timer T5
	CBS_TGI3			Trigger input
	GETH_RXERB			Receive Error MII
	P21.7	O0	General-purpose output	
	GTM_TOUT58	O1	GTM muxed output	
	ASCLIN3_ATX	O2	Transmit output	
	IOM_MON2_15		Monitor input 2	
	IOM_REF2_15		Reference input 2	
	ASCLIN3_ASCLK		O3	Shift clock output
	—	O4	Reserved	
	—	O5	Reserved	
	—	O6	Reserved	
	GPT120_T6OUT	O7	External output for overflow/underflow detection of core timer T6	
	CBS_TGO3	O	Trigger output	
	DAP2	I/O	DAP: DAP2 Data I/O	
	DAPE2	I/O	DAPE: DAPE2 Data I/O	
TDO	O	JTAG Module Data Output		

Pin Definition and Functions: LFBGA-516 Package Variant Pin Configuration

Table 2-12 Port 22 Functions

Ball	Symbol	Ctrl.	Buffer Type	Function
W25	P22.0	I	LVDS_TX / FAST / PU1 / VEXT / ES6	General-purpose input
	GTM_TIM7_IN3_1			Mux input channel 3 of TIM module 7
	GTM_TIM1_IN1_7			Mux input channel 1 of TIM module 1
	GTM_TIM0_IN1_7			Mux input channel 1 of TIM module 0
	QSPI4_MTSRB			Slave SPI data input
	ASCLIN6_ARXE			Receive input
	P22.0	O0		General-purpose output
	GTM_TOUT47	O1		GTM muxed output
	ASCLIN3_ATXN	O2		Differential Transmit output (low active)
	QSPI4_MTSR	O3		Master SPI data output
	QSPI4_SCLKN	O4		Master SPI clock output (LVDS N line)
	MSC1_FCLN	O5		Shift-clock inverted part of the differential signal
	—	O6		Reserved
	ASCLIN6_ATX	O7		Transmit output
W24	P22.1	I	LVDS_TX / FAST / PU1 / VEXT / ES6	General-purpose input
	GTM_TIM7_IN2_1			Mux input channel 2 of TIM module 7
	GTM_TIM1_IN0_8			Mux input channel 0 of TIM module 1
	GTM_TIM0_IN0_8			Mux input channel 0 of TIM module 0
	QSPI4_MRSTB			Master SPI data input
	ASCLIN7_ARXE			Receive input
	P22.1	O0		General-purpose output
	GTM_TOUT48	O1		GTM muxed output
	ASCLIN3_ATXP	O2		Differential Transmit output (high active)
	QSPI4_MRST	O3		Slave SPI data output
	IOM_MON2_4			Monitor input 2
	IOM_REF2_4			Reference input 2
	QSPI4_SCLKP	O4		Master SPI clock output (LVDS P line)
	MSC1_FCLP	O5		Shift-clock direct part of the differential signal
—	O6	Reserved		
ASCLIN7_ATX	O7	Transmit output		

Pin Definition and Functions: LFBGA-516 Package Variant Pin Configuration

Table 2-12 Port 22 Functions (cont'd)

Ball	Symbol	Ctrl.	Buffer Type	Function	
Y25	P22.2	I	LVDS_TX / FAST / PU1 / VEXT / ES6	General-purpose input	
	GTM_TIM7_IN1_1			Mux input channel 1 of TIM module 7	
	GTM_TIM1_IN3_7			Mux input channel 3 of TIM module 1	
	GTM_TIM0_IN3_7			Mux input channel 3 of TIM module 0	
	QSPI4_SLSIB			Slave select input	
	P22.2			O0	General-purpose output
	GTM_TOUT49			O1	GTM muxed output
	ASCLIN5_ATX			O2	Transmit output
	QSPI4_SLSO3			O3	Master slave select output
	QSPI4_MTSRN			O4	Master SPI data output (LVDS N line)
	MSC1_SON			O5	Data output - inverted part of the differential signal
	—			O6	Reserved
	—			O7	Reserved
	HSCT1_TXDN	O	Tx data		
Y24	P22.3	I	LVDS_TX / FAST / PU1 / VEXT / ES6	General-purpose input	
	GTM_TIM7_IN0_1			Mux input channel 0 of TIM module 7	
	GTM_TIM1_IN4_4			Mux input channel 4 of TIM module 1	
	GTM_TIM0_IN4_4			Mux input channel 4 of TIM module 0	
	QSPI4_SCLKB			Slave SPI clock inputs	
	ASCLIN5_ARXC			Receive input	
	P22.3			O0	General-purpose output
	GTM_TOUT50			O1	GTM muxed output
	—			O2	Reserved
	QSPI4_SCLK			O3	Master SPI clock output
	QSPI4_MTSRP			O4	Master SPI data output (LVDS P line)
	MSC1_SOP			O5	Data output - direct part of the differential signal
	—			O6	Reserved
	HSPDM_MUTE	O7	Mute output from the micro controller which could be used to control an external Transmitter		
HSCT1_TXDP	O	Tx data			

Pin Definition and Functions: LFBGA-516 Package Variant Pin Configuration

Table 2-12 Port 22 Functions (cont'd)

Ball	Symbol	Ctrl.	Buffer Type	Function
W21	P22.4	I	FAST / PU1 / VEXT / ES	General-purpose input
	GTM_TIM3_IN0_8			Mux input channel 0 of TIM module 3
	ASCLIN7_ARXF			Receive input
	GTM_DTMA3_0			CDTM3_DTM4
	P22.4	O0		General-purpose output
	GTM_TOUT130	O1		GTM muxed output
	ASCLIN4_ASLSO	O2		Slave select signal output
	—	O3		Reserved
	QSPI0_SLSO12	O4		Master slave select output
	—	O5		Reserved
	CAN13_TXD	O6		CAN transmit output node 3
HSPDM_BS0_OUT	O7	Bit stream 0 output to the pad		
W22	P22.5	I	FAST / PU1 / VEXT / ES	General-purpose input
	GTM_TIM3_IN1_7			Mux input channel 1 of TIM module 3
	QSPI0_MTSRC			Slave SPI data input
	CAN13_RXDC			CAN receive input node 3
	P22.5	O0		General-purpose output
	GTM_TOUT131	O1		GTM muxed output
	ASCLIN4_ATX	O2		Transmit output
	—	O3		Reserved
	QSPI0_MTSR	O4		Master SPI data output
	—	O5		Reserved
	—	O6		Reserved
HSPDM_BS1_OUT	O7	Bit stream 1 output to the pad		

Pin Definition and Functions: LFBGA-516 Package Variant Pin Configuration

Table 2-12 Port 22 Functions (cont'd)

Ball	Symbol	Ctrl.	Buffer Type	Function	
V21	P22.6	I	SLOW / PU1 / VEXT / ES	General-purpose input	
	GTM_TIM3_IN2_6			Mux input channel 2 of TIM module 3	
	GTM_TIM2_IN6_14			Mux input channel 6 of TIM module 2	
	QSPIO_MRSTC			Master SPI data input	
	ASCLIN4_ARXC			Receive input	
	P22.6			O0	General-purpose output
	GTM_TOUT132			O1	GTM muxed output
	—			O2	Reserved
	—			O3	Reserved
	QSPIO_MRST			O4	Slave SPI data output
	IOM_MON2_0				Monitor input 2
	IOM_REF2_0				Reference input 2
	CAN21_TXD			O5	CAN transmit output node 1
	—			O6	Reserved
—	O7	Reserved			
V22	P22.7	I	SLOW / PU1 / VEXT / ES	General-purpose input	
	GTM_TIM3_IN3_7			Mux input channel 3 of TIM module 3	
	QSPIO_SCLKC			Slave SPI clock inputs	
	CAN21_RXDF			CAN receive input node 1	
	P22.7			O0	General-purpose output
	GTM_TOUT133			O1	GTM muxed output
	ASCLIN4_ASCLK			O2	Shift clock output
	—			O3	Reserved
	QSPIO_SCLK			O4	Master SPI clock output
	—			O5	Reserved
	—			O6	Reserved
	—			O7	Reserved

Pin Definition and Functions: LFBGA-516 Package Variant Pin Configuration

Table 2-12 Port 22 Functions (cont'd)

Ball	Symbol	Ctrl.	Buffer Type	Function
U21	P22.8	I	SLOW / PU1 / VEXT / ES	General-purpose input
	GTM_TIM5_IN0_4			Mux input channel 0 of TIM module 5
	GTM_TIM3_IN4_7			Mux input channel 4 of TIM module 3
	QSPI0_SCLKB			Slave SPI clock inputs
	P22.8	O0		General-purpose output
	GTM_TOUT134	O1		GTM muxed output
	ASCLIN5_ASCLK	O2		Shift clock output
	—	O3		Reserved
	QSPI0_SCLK	O4		Master SPI clock output
	CAN22_TXD	O5		CAN transmit output node 2
	—	O6		Reserved
	—	O7		Reserved
U22	P22.9	I	SLOW / PU1 / VEXT / ES	General-purpose input
	GTM_TIM5_IN1_10			Mux input channel 1 of TIM module 5
	GTM_TIM3_IN5_7			Mux input channel 5 of TIM module 3
	QSPI0_MRSTB			Master SPI data input
	ASCLIN4_ARXD			Receive input
	CAN22_RXDE			CAN receive input node 2
	GTM_DTMA3_1			CDTM3_DTM4
	P22.9	O0		General-purpose output
	GTM_TOUT135	O1		GTM muxed output
	—	O2		Reserved
	—	O3		Reserved
	QSPI0_MRST	O4		Slave SPI data output
	IOM_MON2_0			Monitor input 2
	IOM_REF2_0			Reference input 2
	—			O5
	—	O6		Reserved
	—	O7		Reserved

Pin Definition and Functions: LFBGA-516 Package Variant Pin Configuration

Table 2-12 Port 22 Functions (cont'd)

Ball	Symbol	Ctrl.	Buffer Type	Function
T21	P22.10	I	SLOW / PU1 / VEXT / ES	General-purpose input
	GTM_TIM5_IN2_8			Mux input channel 2 of TIM module 5
	GTM_TIM3_IN6_7			Mux input channel 6 of TIM module 3
	QSPIO_MTSRB			Slave SPI data input
	P22.10	O0		General-purpose output
	GTM_TOUT136	O1		GTM muxed output
	ASCLIN4_ATX	O2		Transmit output
	—	O3		Reserved
	QSPIO_MTSR	O4		Master SPI data output
	CAN23_TXD	O5		CAN transmit output node 3
	—	O6		Reserved
	—	O7		Reserved
T22	P22.11	I	SLOW / PU1 / VEXT / ES	General-purpose input
	GTM_TIM5_IN3_10			Mux input channel 3 of TIM module 5
	GTM_TIM3_IN7_7			Mux input channel 7 of TIM module 3
	CAN23_RXDE			CAN receive input node 3
	P22.11	O0		General-purpose output
	GTM_TOUT137	O1		GTM muxed output
	ASCLIN4_ASLSO	O2		Slave select signal output
	—	O3		Reserved
	QSPIO_SLSO10	O4		Master slave select output
	—	O5		Reserved
	—	O6		Reserved
	—	O7		Reserved

Pin Definition and Functions: LFBGA-516 Package Variant Pin Configuration

Table 2-13 Port 23 Functions

Ball	Symbol	Ctrl.	Buffer Type	Function
AC25	P23.0	I	SLOW / PU1 / VEXT / ES	General-purpose input
	GTM_TIM6_IN7_1			Mux input channel 7 of TIM module 6
	GTM_TIM1_IN5_4			Mux input channel 5 of TIM module 1
	GTM_TIM0_IN5_4			Mux input channel 5 of TIM module 0
	CAN10_RXDC			CAN receive input node 0
	P23.0	O0		General-purpose output
	GTM_TOUT41	O1		GTM muxed output
	—	O2		Reserved
	—	O3		Reserved
	—	O4		Reserved
	—	O5		Reserved
	—	O6		Reserved
	—	O7		Reserved
AB24	P23.1	I	FAST / PU1 / VEXT / ES	General-purpose input
	GTM_TIM6_IN6_1			Mux input channel 6 of TIM module 6
	GTM_TIM1_IN6_4			Mux input channel 6 of TIM module 1
	GTM_TIM0_IN6_4			Mux input channel 6 of TIM module 0
	MSC1_SDIO			Upstream asynchronous input signal
	ASCLIN6_ARXF			Receive input
	P23.1	O0		General-purpose output
	GTM_TOUT42	O1		GTM muxed output
	ASCLIN1_ARTS	O2		Ready to send output
	QSPI4_SLSO6	O3		Master slave select output
	GTM_CLK0	O4		CGM generated clock
	CAN10_TXD	O5		CAN transmit output node 0
	CCU_EXTCLK0	O6		External Clock 0
ASCLIN6_ASCLK	O7	Shift clock output		

Pin Definition and Functions: LFBGA-516 Package Variant Pin Configuration

Table 2-13 Port 23 Functions (cont'd)

Ball	Symbol	Ctrl.	Buffer Type	Function
AB25	P23.2	I	SLOW / PU1 / VEXT / ES	General-purpose input
	GTM_TIM6_IN5_1			Mux input channel 5 of TIM module 6
	GTM_TIM1_IN6_5			Mux input channel 6 of TIM module 1
	GTM_TIM0_IN6_5			Mux input channel 6 of TIM module 0
	ASCLIN7_ARXC			Receive input
	P23.2	O0	General-purpose output	
	GTM_TOUT43	O1	GTM muxed output	
	—	O2	Reserved	
	—	O3	Reserved	
	CAN23_TXD	O4	CAN transmit output node 3	
	CAN12_TXD	O5	CAN transmit output node 2	
	—	O6	Reserved	
	—	O7	Reserved	
AA24	P23.3	I	SLOW / PU1 / VEXT / ES	General-purpose input
	GTM_TIM6_IN4_2			Mux input channel 4 of TIM module 6
	GTM_TIM1_IN7_4			Mux input channel 7 of TIM module 1
	GTM_TIM0_IN7_4			Mux input channel 7 of TIM module 0
	MSC1_INJ0			Injection signal from port
	ASCLIN6_ARXA			Receive input
	CAN12_RXDC			CAN receive input node 2
	CAN23_RXDB			CAN receive input node 3
	P23.3	O0	General-purpose output	
	GTM_TOUT44	O1	GTM muxed output	
	ASCLIN7_ATX	O2	Transmit output	
	—	O3	Reserved	
	—	O4	Reserved	
	—	O5	Reserved	
	—	O6	Reserved	
—	O7	Reserved		

Pin Definition and Functions: LFBGA-516 Package Variant Pin Configuration

Table 2-13 Port 23 Functions (cont'd)

Ball	Symbol	Ctrl.	Buffer Type	Function
AA25	P23.4	I	FAST / PU1 / VEXT / ES	General-purpose input
	GTM_TIM6_IN3_2			Mux input channel 3 of TIM module 6
	GTM_TIM1_IN7_5			Mux input channel 7 of TIM module 1
	GTM_TIM0_IN7_5			Mux input channel 7 of TIM module 0
	P23.4	O0		General-purpose output
	GTM_TOUT45	O1		GTM muxed output
	ASCLIN6_ASLSO	O2		Slave select signal output
	QSPI4_SLSO5	O3		Master slave select output
	—	O4		Reserved
	MSC1_EN0	O5		Chip Select
	—	O6		Reserved
—	O7	Reserved		
AA22	P23.5	I	FAST / PU1 / VEXT / ES	General-purpose input
	GTM_TIM6_IN2_2			Mux input channel 2 of TIM module 6
	GTM_TIM1_IN2_7			Mux input channel 2 of TIM module 1
	GTM_TIM0_IN2_7			Mux input channel 2 of TIM module 0
	P23.5	O0		General-purpose output
	GTM_TOUT46	O1		GTM muxed output
	ASCLIN6_ATX	O2		Transmit output
	QSPI4_SLSO4	O3		Master slave select output
	—	O4		Reserved
	MSC1_EN1	O5		Chip Select
	CAN22_TXD	O6		CAN transmit output node 2
—	O7	Reserved		
Y22	P23.6	I	SLOW / PU1 / VEXT / ES	General-purpose input
	GTM_TIM6_IN1_2			Mux input channel 1 of TIM module 6
	GTM_TIM4_IN2_7			Mux input channel 2 of TIM module 4
	GTM_TIM1_IN2_10			Mux input channel 2 of TIM module 1
	CAN22_RXDC			CAN receive input node 2
	P23.6	O0		General-purpose output
	GTM_TOUT138	O1		GTM muxed output
	—	O2		Reserved
	—	O3		Reserved
	QSPI0_SLSO11	O4		Master slave select output
	CAN11_TXD	O5		CAN transmit output node 1
	—	O6		Reserved
	—	O7		Reserved

Pin Definition and Functions: LFBGA-516 Package Variant Pin Configuration

Table 2-13 Port 23 Functions (cont'd)

Ball	Symbol	Ctrl.	Buffer Type	Function
Y21	P23.7	I	SLOW / PU1 / VEXT / ES	General-purpose input
	GTM_TIM6_IN0_2			Mux input channel 0 of TIM module 6
	GTM_TIM4_IN3_7			Mux input channel 3 of TIM module 4
	GTM_TIM1_IN3_10			Mux input channel 3 of TIM module 1
	CAN11_RXDC			CAN receive input node 1
	P23.7	O0		General-purpose output
	GTM_TOUT139	O1		GTM muxed output
	—	O2		Reserved
	—	O3		Reserved
	—	O4		Reserved
	—	O5		Reserved
	—	O6		Reserved
	—	O7		Reserved

Table 2-14 Port 24 Functions

Ball	Symbol	Ctrl.	Buffer Type	Function
U29	P24.0	I	FAST / PU1 / VEBU / ES	General-purpose input
	GTM_TIM6_IN0_6			Mux input channel 0 of TIM module 6
	GTM_TIM4_IN0_8			Mux input channel 0 of TIM module 4
	EBU_A_IN11			Address Input
	P24.0	O0		General-purpose output
	GTM_TOUT222	O1		GTM muxed output
	—	O2		Reserved
	—	O3		Reserved
	—	O4		Reserved
	—	O5		Reserved
	—	O6		Reserved
	—	O7		Reserved
	EBU_A11	O		Address Output

Pin Definition and Functions: LFBGA-516 Package Variant Pin Configuration

Table 2-14 Port 24 Functions (cont'd)

Ball	Symbol	Ctrl.	Buffer Type	Function
U30	P24.1	I	FAST / PU1 / VEBU / ES	General-purpose input
	GTM_TIM6_IN1_6			Mux input channel 1 of TIM module 6
	GTM_TIM4_IN1_8			Mux input channel 1 of TIM module 4
	EBU_A_IN15			Address Input
	P24.1	O0		General-purpose output
	GTM_TOUT223	O1		GTM muxed output
	—	O2		Reserved
	—	O3		Reserved
	—	O4		Reserved
	—	O5		Reserved
	—	O6		Reserved
	—	O7		Reserved
	EBU_A15	O		Address Output
T29	P24.2	I	FAST / PU1 / VEBU / ES	General-purpose input
	GTM_TIM6_IN2_6			Mux input channel 2 of TIM module 6
	GTM_TIM4_IN2_8			Mux input channel 2 of TIM module 4
	EBU_A_IN14			Address Input
	P24.2	O0		General-purpose output
	GTM_TOUT224	O1		GTM muxed output
	—	O2		Reserved
	—	O3		Reserved
	—	O4		Reserved
	—	O5		Reserved
	—	O6		Reserved
	—	O7		Reserved
	EBU_A14	O		Address Output

Pin Definition and Functions: LFBGA-516 Package Variant Pin Configuration

Table 2-14 Port 24 Functions (cont'd)

Ball	Symbol	Ctrl.	Buffer Type	Function
T30	P24.3	I	FAST / PU1 / VEBU / ES	General-purpose input
	GTM_TIM6_IN3_6			Mux input channel 3 of TIM module 6
	GTM_TIM4_IN3_8			Mux input channel 3 of TIM module 4
	EBU_A_IN13			Address Input
	P24.3	O0		General-purpose output
	GTM_TOUT225	O1		GTM muxed output
	—	O2		Reserved
	—	O3		Reserved
	—	O4		Reserved
	—	O5		Reserved
	—	O6		Reserved
	—	O7		Reserved
	EBU_A13	O		Address Output
	R29	P24.4		I
GTM_TIM6_IN4_5		Mux input channel 4 of TIM module 6		
GTM_TIM4_IN4_7		Mux input channel 4 of TIM module 4		
EBU_A_IN9		Address Input		
P24.4		O0	General-purpose output	
GTM_TOUT226		O1	GTM muxed output	
—		O2	Reserved	
—		O3	Reserved	
—		O4	Reserved	
—		O5	Reserved	
—		O6	Reserved	
—		O7	Reserved	
EBU_A9		O	Address Output	

Pin Definition and Functions: LFBGA-516 Package Variant Pin Configuration

Table 2-14 Port 24 Functions (cont'd)

Ball	Symbol	Ctrl.	Buffer Type	Function
R30	P24.5	I	FAST / PU1 / VEBU / ES	General-purpose input
	GTM_TIM6_IN5_5			Mux input channel 5 of TIM module 6
	GTM_TIM4_IN5_7			Mux input channel 5 of TIM module 4
	EBU_A_IN12			Address Input
	P24.5	O0		General-purpose output
	GTM_TOUT227	O1		GTM muxed output
	—	O2		Reserved
	—	O3		Reserved
	—	O4		Reserved
	—	O5		Reserved
	—	O6		Reserved
	—	O7		Reserved
	EBU_A12	O		Address Output
P29	P24.6	I	FAST / PU1 / VEBU / ES	General-purpose input
	GTM_TIM6_IN6_5			Mux input channel 6 of TIM module 6
	GTM_TIM4_IN6_7			Mux input channel 6 of TIM module 4
	EBU_A_IN5			Address Input
	P24.6	O0		General-purpose output
	GTM_TOUT228	O1		GTM muxed output
	—	O2		Reserved
	—	O3		Reserved
	—	O4		Reserved
	—	O5		Reserved
	—	O6		Reserved
	—	O7		Reserved
	EBU_A5	O		Address Output

Pin Definition and Functions: LFBGA-516 Package Variant Pin Configuration

Table 2-14 Port 24 Functions (cont'd)

Ball	Symbol	Ctrl.	Buffer Type	Function
P30	P24.7	I	FAST / PU1 / VEBU / ES	General-purpose input
	GTM_TIM6_IN7_5			Mux input channel 7 of TIM module 6
	GTM_TIM4_IN7_7			Mux input channel 7 of TIM module 4
	EBU_A_IN8			Address Input
	P24.7	O0		General-purpose output
	GTM_TOUT229	O1		GTM muxed output
	—	O2		Reserved
	—	O3		Reserved
	—	O4		Reserved
	—	O5		Reserved
	—	O6		Reserved
	—	O7		Reserved
	EBU_A8	O		Address Output
N29	P24.8	I	FAST / PU1 / VEBU / ES	General-purpose input
	GTM_TIM7_IN0_5			Mux input channel 0 of TIM module 7
	GTM_TIM5_IN0_5			Mux input channel 0 of TIM module 5
	EBU_A_IN10			Address Input
	P24.8	O0		General-purpose output
	GTM_TOUT230	O1		GTM muxed output
	—	O2		Reserved
	—	O3		Reserved
	—	O4		Reserved
	—	O5		Reserved
	—	O6		Reserved
	—	O7		Reserved
	EBU_A10	O		Address Output

Pin Definition and Functions: LFBGA-516 Package Variant Pin Configuration

Table 2-14 Port 24 Functions (cont'd)

Ball	Symbol	Ctrl.	Buffer Type	Function
N30	P24.9	I	FAST / PU1 / VEBU / ES	General-purpose input
	GTM_TIM7_IN1_5			Mux input channel 1 of TIM module 7
	GTM_TIM5_IN1_6			Mux input channel 1 of TIM module 5
	EBU_A_IN6			Address Input
	P24.9	O0		General-purpose output
	GTM_TOUT231	O1		GTM muxed output
	—	O2		Reserved
	—	O3		Reserved
	—	O4		Reserved
	—	O5		Reserved
	—	O6		Reserved
	—	O7		Reserved
	EBU_A6	O		Address Output
M29	P24.10	I	FAST / PU1 / VEBU / ES	General-purpose input
	GTM_TIM7_IN2_4			Mux input channel 2 of TIM module 7
	GTM_TIM5_IN2_5			Mux input channel 2 of TIM module 5
	EBU_A_IN4			Address Input
	P24.10	O0		General-purpose output
	GTM_TOUT232	O1		GTM muxed output
	—	O2		Reserved
	—	O3		Reserved
	—	O4		Reserved
	—	O5		Reserved
	—	O6		Reserved
	—	O7		Reserved
	EBU_A4	O		Address Output

Pin Definition and Functions: LFBGA-516 Package Variant Pin Configuration

Table 2-14 Port 24 Functions (cont'd)

Ball	Symbol	Ctrl.	Buffer Type	Function
M30	P24.11	I	FAST / PU1 / VEBU / ES	General-purpose input
	GTM_TIM7_IN3_4			Mux input channel 3 of TIM module 7
	GTM_TIM5_IN3_6			Mux input channel 3 of TIM module 5
	EBU_A_IN3			Address Input
	P24.11	O0		General-purpose output
	GTM_TOUT233	O1		GTM muxed output
	—	O2		Reserved
	—	O3		Reserved
	—	O4		Reserved
	—	O5		Reserved
	—	O6		Reserved
	—	O7		Reserved
	EBU_A3	O		Address Output
L29	P24.12	I	FAST / PU1 / VEBU / ES	General-purpose input
	GTM_TIM7_IN4_3			Mux input channel 4 of TIM module 7
	GTM_TIM5_IN4_6			Mux input channel 4 of TIM module 5
	EBU_A_IN1			Address Input
	P24.12	O0		General-purpose output
	GTM_TOUT234	O1		GTM muxed output
	—	O2		Reserved
	—	O3		Reserved
	—	O4		Reserved
	—	O5		Reserved
	—	O6		Reserved
	—	O7		Reserved
	EBU_A1	O		Address Output

Pin Definition and Functions: LFBGA-516 Package Variant Pin Configuration

Table 2-14 Port 24 Functions (cont'd)

Ball	Symbol	Ctrl.	Buffer Type	Function
L30	P24.13	I	FAST / PU1 / VEBU / ES	General-purpose input
	GTM_TIM7_IN5_3			Mux input channel 5 of TIM module 7
	GTM_TIM5_IN5_6			Mux input channel 5 of TIM module 5
	EBU_A_IN2			Address Input
	P24.13	O0		General-purpose output
	GTM_TOUT235	O1		GTM muxed output
	—	O2		Reserved
	—	O3		Reserved
	—	O4		Reserved
	—	O5		Reserved
	—	O6		Reserved
	—	O7		Reserved
	EBU_A2	O		Address Output
K29	P24.14	I	FAST / PU1 / VEBU / ES	General-purpose input
	GTM_TIM7_IN7_3			Mux input channel 7 of TIM module 7
	GTM_TIM7_IN6_3			Mux input channel 6 of TIM module 7
	GTM_TIM5_IN6_6			Mux input channel 6 of TIM module 5
	EBU_A_IN0			Address Input
	P24.14	O0		General-purpose output
	GTM_TOUT236	O1		GTM muxed output
	—	O2		Reserved
	—	O3		Reserved
	—	O4		Reserved
	—	O5		Reserved
	—	O6		Reserved
	—	O7		Reserved
EBU_A0	O	Address Output		

Pin Definition and Functions: LFBGA-516 Package Variant Pin Configuration

Table 2-14 Port 24 Functions (cont'd)

Ball	Symbol	Ctrl.	Buffer Type	Function
K30	P24.15	I	FAST / PU1 / VEBU / ES	General-purpose input
	GTM_TIM7_IN7_2			Mux input channel 7 of TIM module 7
	GTM_TIM5_IN7_5			Mux input channel 7 of TIM module 5
	EBU_A_IN7			Address Input
	P24.15	O0		General-purpose output
	GTM_TOUT237	O1		GTM muxed output
	—	O2		Reserved
	—	O3		Reserved
	—	O4		Reserved
	—	O5		Reserved
	—	O6		Reserved
	—	O7		Reserved
	EBU_A7	O		Address Output

Table 2-15 Port 25 Functions

Ball	Symbol	Ctrl.	Buffer Type	Function
AG30	P25.0	I	FAST / PU1 / VEBU / ES	General-purpose input
	GTM_TIM6_IN0_7			Mux input channel 0 of TIM module 6
	GTM_TIM3_IN0_12			Mux input channel 0 of TIM module 3
	P25.0	O0		General-purpose output
	GTM_TOUT206	O1		GTM muxed output
	—	O2		Reserved
	—	O3		Reserved
	—	O4		Reserved
	—	O5		Reserved
	—	O6		Reserved
	—	O7		Reserved
	EBU_BFCLKO	O		Burst Flash Clock Output

Pin Definition and Functions: LFBGA-516 Package Variant Pin Configuration

Table 2-15 Port 25 Functions (cont'd)

Ball	Symbol	Ctrl.	Buffer Type	Function
AF30	P25.1	I	FAST / PU1 / VEBU / ES	General-purpose input
	GTM_TIM6_IN1_7			Mux input channel 1 of TIM module 6
	GTM_TIM3_IN1_11			Mux input channel 1 of TIM module 3
	EBU_RD_FDBK			Read Feedback
	P25.1	O0		General-purpose output
	GTM_TOUT207	O1		GTM muxed output
	—	O2		Reserved
	—	O3		Reserved
	—	O4		Reserved
	—	O5		Reserved
	—	O6		Reserved
	—	O7		Reserved
	EBU_RD	O		Read Control
AF29	P25.2	I	FAST / PU1 / VEBU / ES	General-purpose input
	GTM_TIM6_IN2_7			Mux input channel 2 of TIM module 6
	GTM_TIM3_IN2_9			Mux input channel 2 of TIM module 3
	EBU_WR_FDBK			Write Feedback
	P25.2	O0		General-purpose output
	GTM_TOUT208	O1		GTM muxed output
	—	O2		Reserved
	—	O3		Reserved
	—	O4		Reserved
	—	O5		Reserved
	—	O6		Reserved
	—	O7		Reserved
	EBU_WR	O		Write Control

Pin Definition and Functions: LFBGA-516 Package Variant Pin Configuration

Table 2-15 Port 25 Functions (cont'd)

Ball	Symbol	Ctrl.	Buffer Type	Function
AE30	P25.3	I	FAST / PU1 / VEBU / ES	General-purpose input
	GTM_TIM6_IN3_7			Mux input channel 3 of TIM module 6
	GTM_TIM3_IN3_9			Mux input channel 3 of TIM module 3
	EBU_CS_FDBK2			Chip Select Feedback
	P25.3	O0		General-purpose output
	GTM_TOUT209	O1		GTM muxed output
	—	O2		Reserved
	—	O3		Reserved
	—	O4		Reserved
	—	O5		Reserved
	—	O6		Reserved
	EBU_BAA	O7		Burst Address Advance
	EBU_CS2	O		Chip Select
AE29	P25.4	I	FAST / PU1 / VEBU / ES	General-purpose input
	GTM_TIM6_IN4_6			Mux input channel 4 of TIM module 6
	GTM_TIM3_IN4_10			Mux input channel 4 of TIM module 3
	EBU_CS_FDBK1			Chip Select Feedback
	P25.4	O0		General-purpose output
	GTM_TOUT210	O1		GTM muxed output
	—	O2		Reserved
	—	O3		Reserved
	—	O4		Reserved
	—	O5		Reserved
	—	O6		Reserved
	—	O7		Reserved
	EBU_CS1	O		Chip Select

Pin Definition and Functions: LFBGA-516 Package Variant Pin Configuration

Table 2-15 Port 25 Functions (cont'd)

Ball	Symbol	Ctrl.	Buffer Type	Function
AD30	P25.5	I	FAST / PU1 / VEBU / ES	General-purpose input
	GTM_TIM6_IN5_6			Mux input channel 5 of TIM module 6
	GTM_TIM3_IN5_11			Mux input channel 5 of TIM module 3
	EBU_CS_FDBK0			Chip Select Feedback
	P25.5	O0		General-purpose output
	GTM_TOUT211	O1		GTM muxed output
	—	O2		Reserved
	—	O3		Reserved
	—	O4		Reserved
	—	O5		Reserved
	—	O6		Reserved
	—	O7		Reserved
	EBU_CS0	O		Chip Select
W29	P25.6	I	FAST / PU1 / VEBU / ES	General-purpose input
	GTM_TIM6_IN6_6			Mux input channel 6 of TIM module 6
	GTM_TIM3_IN6_14			Mux input channel 6 of TIM module 3
	EBU_WAIT			Wait Input
	P25.6	O0		General-purpose output
	GTM_TOUT212	O1		GTM muxed output
	—	O2		Reserved
	—	O3		Reserved
	—	O4		Reserved
	—	O5		Reserved
	—	O6		Reserved
	—	O7		Reserved
	AD29	P25.7		I
GTM_TIM6_IN7_6		Mux input channel 7 of TIM module 6		
GTM_TIM3_IN7_10		Mux input channel 7 of TIM module 3		
EBU_ADV_FDBK		ADV Control Signal Feedback		
P25.7		O0	General-purpose output	
GTM_TOUT213		O1	GTM muxed output	
—		O2	Reserved	
—		O3	Reserved	
—		O4	Reserved	
—		O5	Reserved	
—		O6	Reserved	
—		O7	Reserved	
EBU_ADV		O	Address Valid Control Signal	

Pin Definition and Functions: LFBGA-516 Package Variant Pin Configuration

Table 2-15 Port 25 Functions (cont'd)

Ball	Symbol	Ctrl.	Buffer Type	Function
AC29	P25.8	I	FAST / PU1 / VEBU / ES	General-purpose input
	GTM_TIM7_IN0_6			Mux input channel 0 of TIM module 7
	GTM_TIM4_IN0_9			Mux input channel 0 of TIM module 4
	P25.8	O0		General-purpose output
	GTM_TOUT214	O1		GTM muxed output
	—	O2		Reserved
	—	O3		Reserved
	—	O4		Reserved
	EBU_A23	O5		Address Output
	—	O6		Reserved
	—	O7		Reserved
	EBU_BC0	O		Byte Control
AC30	P25.9	I	FAST / PU1 / VEBU / ES	General-purpose input
	GTM_TIM7_IN1_6			Mux input channel 1 of TIM module 7
	GTM_TIM4_IN1_9			Mux input channel 1 of TIM module 4
	P25.9	O0		General-purpose output
	GTM_TOUT215	O1		GTM muxed output
	—	O2		Reserved
	—	O3		Reserved
	—	O4		Reserved
	EBU_A22	O5		Address Output
	—	O6		Reserved
	—	O7		Reserved
	EBU_BC1	O		Byte Control
AB29	P25.10	I	FAST / PU1 / VEBU / ES	General-purpose input
	GTM_TIM7_IN2_5			Mux input channel 2 of TIM module 7
	GTM_TIM4_IN2_9			Mux input channel 2 of TIM module 4
	P25.10	O0		General-purpose output
	GTM_TOUT216	O1		GTM muxed output
	—	O2		Reserved
	—	O3		Reserved
	—	O4		Reserved
	EBU_A21	O5		Address Output
	—	O6		Reserved
	—	O7		Reserved
	EBU_BC2	O		Byte Control

Pin Definition and Functions: LFBGA-516 Package Variant Pin Configuration

Table 2-15 Port 25 Functions (cont'd)

Ball	Symbol	Ctrl.	Buffer Type	Function
AB30	P25.11	I	FAST / PU1 / VEBU / ES	General-purpose input
	GTM_TIM7_IN3_5			Mux input channel 3 of TIM module 7
	GTM_TIM4_IN3_9			Mux input channel 3 of TIM module 4
	P25.11	O0		General-purpose output
	GTM_TOUT217	O1		GTM muxed output
	—	O2		Reserved
	—	O3		Reserved
	—	O4		Reserved
	EBU_A20	O5		Address Output
	—	O6		Reserved
	—	O7		Reserved
EBU_BC3	O	Byte Control		
AA29	P25.12	I	FAST / PU1 / VEBU / ES	General-purpose input
	GTM_TIM7_IN4_4			Mux input channel 4 of TIM module 7
	GTM_TIM4_IN4_8			Mux input channel 4 of TIM module 4
	P25.12	O0		General-purpose output
	GTM_TOUT218	O1		GTM muxed output
	—	O2		Reserved
	—	O3		Reserved
	—	O4		Reserved
	—	O5		Reserved
	—	O6		Reserved
	—	O7		Reserved
EBU_A19	O	Address Output		
AA30	P25.13	I	FAST / PU1 / VEBU / ES	General-purpose input
	GTM_TIM7_IN5_4			Mux input channel 5 of TIM module 7
	GTM_TIM4_IN5_8			Mux input channel 5 of TIM module 4
	P25.13	O0		General-purpose output
	GTM_TOUT219	O1		GTM muxed output
	—	O2		Reserved
	—	O3		Reserved
	—	O4		Reserved
	—	O5		Reserved
	—	O6		Reserved
	—	O7		Reserved
EBU_A17	O	Address Output		

Pin Definition and Functions: LFBGA-516 Package Variant Pin Configuration

Table 2-15 Port 25 Functions (cont'd)

Ball	Symbol	Ctrl.	Buffer Type	Function
Y29	P25.14	I	FAST / PU1 / VEBU / ES	General-purpose input
	GTM_TIM7_IN6_4			Mux input channel 6 of TIM module 7
	GTM_TIM4_IN6_8			Mux input channel 6 of TIM module 4
	P25.14	O0		General-purpose output
	GTM_TOUT220	O1		GTM muxed output
	—	O2		Reserved
	—	O3		Reserved
	—	O4		Reserved
	—	O5		Reserved
	—	O6		Reserved
	—	O7		Reserved
	EBU_A18	O		Address Output
Y30	P25.15	I	FAST / PU1 / VEBU / ES	General-purpose input
	GTM_TIM4_IN7_8			Mux input channel 7 of TIM module 4
	P25.15	O0		General-purpose output
	GTM_TOUT221	O1		GTM muxed output
	—	O2		Reserved
	—	O3		Reserved
	—	O4		Reserved
	—	O5		Reserved
	—	O6		Reserved
	—	O7		Reserved
	EBU_A16	O		Address Output

Pin Definition and Functions: LFBGA-516 Package Variant Pin Configuration

Table 2-16 Port 26 Functions

Ball	Symbol	Ctrl.	Buffer Type	Function
AG29	P26.0	I	SLOW / PU1 / VEBU / ES	General-purpose input
	GTM_TIM6_IN6_9			Mux input channel 6 of TIM module 6
	GTM_TIM3_IN6_11			Mux input channel 6 of TIM module 3
	EBU_BFCLKI			Burst Flash Clock Feedback
	P26.0	O0		General-purpose output
	GTM_TOUT212	O1		GTM muxed output
	—	O2		Reserved
	—	O3		Reserved
	—	O4		Reserved
	—	O5		Reserved
	—	O6		Reserved
	—	O7		Reserved

Table 2-17 Port 30 Functions

Ball	Symbol	Ctrl.	Buffer Type	Function
AJ21	P30.0	I	FAST / PU1 / VEBU / ES	General-purpose input
	GTM_TIM7_IN0_7			Mux input channel 0 of TIM module 7
	GTM_TIM4_IN0_10			Mux input channel 0 of TIM module 4
	EBU_AD_IN14			Data Bus Input
	P30.0	O0		General-purpose output
	GTM_TOUT190	O1		GTM muxed output
	—	O2		Reserved
	—	O3		Reserved
	—	O4		Reserved
	—	O5		Reserved
	—	O6		Reserved
	—	O7		Reserved
	EBU_AD14	O		Data Bus Output

Pin Definition and Functions: LFBGA-516 Package Variant Pin Configuration

Table 2-17 Port 30 Functions (cont'd)

Ball	Symbol	Ctrl.	Buffer Type	Function
AK21	P30.1	I	FAST / PU1 / VEBU / ES	General-purpose input
	GTM_TIM7_IN1_7			Mux input channel 1 of TIM module 7
	GTM_TIM4_IN1_10			Mux input channel 1 of TIM module 4
	EBU_AD_IN11			Data Bus Input
	P30.1	O0		General-purpose output
	GTM_TOUT191	O1		GTM muxed output
	—	O2		Reserved
	—	O3		Reserved
	—	O4		Reserved
	—	O5		Reserved
	—	O6		Reserved
	—	O7		Reserved
	EBU_AD11	O		Data Bus Output
AJ22	P30.2	I	FAST / PU1 / VEBU / ES	General-purpose input
	GTM_TIM7_IN2_6			Mux input channel 2 of TIM module 7
	GTM_TIM4_IN2_10			Mux input channel 2 of TIM module 4
	EBU_AD_IN12			Data Bus Input
	P30.2	O0		General-purpose output
	GTM_TOUT192	O1		GTM muxed output
	—	O2		Reserved
	—	O3		Reserved
	—	O4		Reserved
	—	O5		Reserved
	—	O6		Reserved
	—	O7		Reserved
	EBU_AD12	O		Data Bus Output

Pin Definition and Functions: LFBGA-516 Package Variant Pin Configuration

Table 2-17 Port 30 Functions (cont'd)

Ball	Symbol	Ctrl.	Buffer Type	Function
AK22	P30.3	I	FAST / PU1 / VEBU / ES	General-purpose input
	GTM_TIM7_IN3_6			Mux input channel 3 of TIM module 7
	GTM_TIM4_IN3_10			Mux input channel 3 of TIM module 4
	EBU_AD_IN15			Data Bus Input
	P30.3	O0		General-purpose output
	GTM_TOUT193	O1		GTM muxed output
	—	O2		Reserved
	—	O3		Reserved
	—	O4		Reserved
	—	O5		Reserved
	—	O6		Reserved
	—	O7		Reserved
	EBU_AD15	O		Data Bus Output
AJ23	P30.4	I	FAST / PU1 / VEBU / ES	General-purpose input
	GTM_TIM7_IN4_5			Mux input channel 4 of TIM module 7
	GTM_TIM4_IN4_9			Mux input channel 4 of TIM module 4
	EBU_AD_IN8			Data Bus Input
	P30.4	O0		General-purpose output
	GTM_TOUT194	O1		GTM muxed output
	—	O2		Reserved
	—	O3		Reserved
	—	O4		Reserved
	—	O5		Reserved
	—	O6		Reserved
	—	O7		Reserved
	EBU_AD8	O		Data Bus Output

Pin Definition and Functions: LFBGA-516 Package Variant Pin Configuration

Table 2-17 Port 30 Functions (cont'd)

Ball	Symbol	Ctrl.	Buffer Type	Function
AK23	P30.5	I	FAST / PU1 / VEBU / ES	General-purpose input
	GTM_TIM7_IN5_5			Mux input channel 5 of TIM module 7
	GTM_TIM4_IN5_9			Mux input channel 5 of TIM module 4
	EBU_AD_IN13			Data Bus Input
	P30.5	O0		General-purpose output
	GTM_TOUT195	O1		GTM muxed output
	—	O2		Reserved
	—	O3		Reserved
	—	O4		Reserved
	—	O5		Reserved
	—	O6		Reserved
	—	O7		Reserved
	EBU_AD13	O		Data Bus Output
AJ24	P30.6	I	FAST / PU1 / VEBU / ES	General-purpose input
	GTM_TIM7_IN6_5			Mux input channel 6 of TIM module 7
	GTM_TIM4_IN6_9			Mux input channel 6 of TIM module 4
	EBU_AD_IN4			Data Bus Input
	P30.6	O0		General-purpose output
	GTM_TOUT196	O1		GTM muxed output
	—	O2		Reserved
	—	O3		Reserved
	—	O4		Reserved
	—	O5		Reserved
	—	O6		Reserved
	—	O7		Reserved
	EBU_AD4	O		Data Bus Output

Pin Definition and Functions: LFBGA-516 Package Variant Pin Configuration

Table 2-17 Port 30 Functions (cont'd)

Ball	Symbol	Ctrl.	Buffer Type	Function
AK24	P30.7	I	FAST / PU1 / VEBU / ES	General-purpose input
	GTM_TIM7_IN7_4			Mux input channel 7 of TIM module 7
	GTM_TIM4_IN7_9			Mux input channel 7 of TIM module 4
	EBU_AD_IN7			Data Bus Input
	P30.7	O0		General-purpose output
	GTM_TOUT197	O1		GTM muxed output
	—	O2		Reserved
	—	O3		Reserved
	—	O4		Reserved
	—	O5		Reserved
	—	O6		Reserved
	—	O7		Reserved
	EBU_AD7	O		Data Bus Output
AJ25	P30.8	I	FAST / PU1 / VEBU / ES	General-purpose input
	GTM_TIM6_IN0_8			Mux input channel 0 of TIM module 6
	GTM_TIM5_IN0_6			Mux input channel 0 of TIM module 5
	EBU_AD_IN3			Data Bus Input
	P30.8	O0		General-purpose output
	GTM_TOUT198	O1		GTM muxed output
	—	O2		Reserved
	—	O3		Reserved
	—	O4		Reserved
	—	O5		Reserved
	—	O6		Reserved
	—	O7		Reserved
	EBU_AD3	O		Data Bus Output

Pin Definition and Functions: LFBGA-516 Package Variant Pin Configuration

Table 2-17 Port 30 Functions (cont'd)

Ball	Symbol	Ctrl.	Buffer Type	Function
AK25	P30.9	I	FAST / PU1 / VEBU / ES	General-purpose input
	GTM_TIM6_IN1_8			Mux input channel 1 of TIM module 6
	GTM_TIM5_IN1_7			Mux input channel 1 of TIM module 5
	EBU_AD_IN0			Data Bus Input
	P30.9	O0		General-purpose output
	GTM_TOUT199	O1		GTM muxed output
	—	O2		Reserved
	—	O3		Reserved
	—	O4		Reserved
	—	O5		Reserved
	—	O6		Reserved
	—	O7		Reserved
	EBU_AD0	O		Data Bus Output
AJ26	P30.10	I	FAST / PU1 / VEBU / ES	General-purpose input
	GTM_TIM6_IN2_8			Mux input channel 2 of TIM module 6
	GTM_TIM5_IN2_6			Mux input channel 2 of TIM module 5
	EBU_AD_IN5			Data Bus Input
	P30.10	O0		General-purpose output
	GTM_TOUT200	O1		GTM muxed output
	—	O2		Reserved
	—	O3		Reserved
	—	O4		Reserved
	—	O5		Reserved
	—	O6		Reserved
	—	O7		Reserved
	EBU_AD5	O		Data Bus Output

Pin Definition and Functions: LFBGA-516 Package Variant Pin Configuration

Table 2-17 Port 30 Functions (cont'd)

Ball	Symbol	Ctrl.	Buffer Type	Function
AK26	P30.11	I	FAST / PU1 / VEBU / ES	General-purpose input
	GTM_TIM6_IN3_8			Mux input channel 3 of TIM module 6
	GTM_TIM5_IN3_7			Mux input channel 3 of TIM module 5
	EBU_AD_IN10			Data Bus Input
	P30.11	O0		General-purpose output
	GTM_TOUT201	O1		GTM muxed output
	—	O2		Reserved
	—	O3		Reserved
	—	O4		Reserved
	—	O5		Reserved
	—	O6		Reserved
	—	O7		Reserved
	EBU_AD10	O		Data Bus Output
AJ27	P30.12	I	FAST / PU1 / VEBU / ES	General-purpose input
	GTM_TIM6_IN4_7			Mux input channel 4 of TIM module 6
	GTM_TIM5_IN4_7			Mux input channel 4 of TIM module 5
	EBU_AD_IN9			Data Bus Input
	P30.12	O0		General-purpose output
	GTM_TOUT202	O1		GTM muxed output
	—	O2		Reserved
	—	O3		Reserved
	—	O4		Reserved
	—	O5		Reserved
	—	O6		Reserved
	—	O7		Reserved
	EBU_AD9	O		Data Bus Output

Pin Definition and Functions: LFBGA-516 Package Variant Pin Configuration

Table 2-17 Port 30 Functions (cont'd)

Ball	Symbol	Ctrl.	Buffer Type	Function
AK27	P30.13	I	FAST / PU1 / VEBU / ES	General-purpose input
	GTM_TIM6_IN5_7			Mux input channel 5 of TIM module 6
	GTM_TIM5_IN5_7			Mux input channel 5 of TIM module 5
	EBU_AD_IN2			Data Bus Input
	P30.13	O0		General-purpose output
	GTM_TOUT203	O1		GTM muxed output
	—	O2		Reserved
	—	O3		Reserved
	—	O4		Reserved
	—	O5		Reserved
	—	O6		Reserved
	—	O7		Reserved
	EBU_AD2	O		Data Bus Output
AJ28	P30.14	I	FAST / PU1 / VEBU / ES	General-purpose input
	GTM_TIM6_IN6_7			Mux input channel 6 of TIM module 6
	GTM_TIM5_IN6_7			Mux input channel 6 of TIM module 5
	EBU_AD_IN1			Data Bus Input
	P30.14	O0		General-purpose output
	GTM_TOUT204	O1		GTM muxed output
	—	O2		Reserved
	—	O3		Reserved
	—	O4		Reserved
	—	O5		Reserved
	—	O6		Reserved
	—	O7		Reserved
	EBU_AD1	O		Data Bus Output

Pin Definition and Functions: LFBGA-516 Package Variant Pin Configuration

Table 2-17 Port 30 Functions (cont'd)

Ball	Symbol	Ctrl.	Buffer Type	Function
AK28	P30.15	I	FAST / PU1 / VEBU / ES	General-purpose input
	GTM_TIM6_IN7_7			Mux input channel 7 of TIM module 6
	GTM_TIM5_IN7_6			Mux input channel 7 of TIM module 5
	EBU_AD_IN6			Data Bus Input
	P30.15	O0		General-purpose output
	GTM_TOUT205	O1		GTM muxed output
	—	O2		Reserved
	—	O3		Reserved
	—	O4		Reserved
	—	O5		Reserved
	—	O6		Reserved
	—	O7		Reserved
	EBU_AD6	O		Data Bus Output

Table 2-18 Port 31 Functions

Ball	Symbol	Ctrl.	Buffer Type	Function
AJ12	P31.0	I	FAST / PU1 / VEBU / ES	General-purpose input
	GTM_TIM7_IN0_8			Mux input channel 0 of TIM module 7
	GTM_TIM2_IN0_13			Mux input channel 0 of TIM module 2
	EBU_AD_IN30			Data Bus Input
	P31.0	O0		General-purpose output
	GTM_TOUT174	O1		GTM muxed output
	—	O2		Reserved
	—	O3		Reserved
	—	O4		Reserved
	—	O5		Reserved
	—	O6		Reserved
	—	O7		Reserved
	EBU_AD30	O		Data Bus Output

Pin Definition and Functions: LFBGA-516 Package Variant Pin Configuration

Table 2-18 Port 31 Functions (cont'd)

Ball	Symbol	Ctrl.	Buffer Type	Function
AK12	P31.1	I	FAST / PU1 / VEBU / ES	General-purpose input
	GTM_TIM7_IN1_8			Mux input channel 1 of TIM module 7
	GTM_TIM2_IN1_9			Mux input channel 1 of TIM module 2
	EBU_AD_IN29			Data Bus Input
	P31.1	O0		General-purpose output
	GTM_TOUT175	O1		GTM muxed output
	—	O2		Reserved
	—	O3		Reserved
	—	O4		Reserved
	—	O5		Reserved
	—	O6		Reserved
	—	O7		Reserved
	EBU_AD29	O		Data Bus Output
AJ13	P31.2	I	FAST / PU1 / VEBU / ES	General-purpose input
	GTM_TIM7_IN2_7			Mux input channel 2 of TIM module 7
	GTM_TIM2_IN2_9			Mux input channel 2 of TIM module 2
	EBU_AD_IN28			Data Bus Input
	P31.2	O0		General-purpose output
	GTM_TOUT176	O1		GTM muxed output
	—	O2		Reserved
	—	O3		Reserved
	—	O4		Reserved
	—	O5		Reserved
	—	O6		Reserved
	—	O7		Reserved
	EBU_AD28	O		Data Bus Output

Pin Definition and Functions: LFBGA-516 Package Variant Pin Configuration

Table 2-18 Port 31 Functions (cont'd)

Ball	Symbol	Ctrl.	Buffer Type	Function
AK13	P31.3	I	FAST / PU1 / VEBU / ES	General-purpose input
	GTM_TIM7_IN3_7			Mux input channel 3 of TIM module 7
	GTM_TIM2_IN3_14			Mux input channel 3 of TIM module 2
	EBU_AD_IN26			Data Bus Input
	P31.3	O0		General-purpose output
	GTM_TOUT177	O1		GTM muxed output
	—	O2		Reserved
	—	O3		Reserved
	—	O4		Reserved
	—	O5		Reserved
	—	O6		Reserved
	—	O7		Reserved
	EBU_AD26	O		Data Bus Output
AJ14	P31.4	I	FAST / PU1 / VEBU / ES	General-purpose input
	GTM_TIM7_IN4_6			Mux input channel 4 of TIM module 7
	GTM_TIM2_IN4_12			Mux input channel 4 of TIM module 2
	EBU_AD_IN24			Data Bus Input
	P31.4	O0		General-purpose output
	GTM_TOUT178	O1		GTM muxed output
	—	O2		Reserved
	—	O3		Reserved
	—	O4		Reserved
	—	O5		Reserved
	—	O6		Reserved
	—	O7		Reserved
	EBU_AD24	O		Data Bus Output

Pin Definition and Functions: LFBGA-516 Package Variant Pin Configuration

Table 2-18 Port 31 Functions (cont'd)

Ball	Symbol	Ctrl.	Buffer Type	Function
AK14	P31.5	I	FAST / PU1 / VEBU / ES	General-purpose input
	GTM_TIM7_IN5_6			Mux input channel 5 of TIM module 7
	GTM_TIM2_IN5_13			Mux input channel 5 of TIM module 2
	EBU_AD_IN23			Data Bus Input
	P31.5	O0		General-purpose output
	GTM_TOUT179	O1		GTM muxed output
	—	O2		Reserved
	—	O3		Reserved
	—	O4		Reserved
	—	O5		Reserved
	—	O6		Reserved
	—	O7		Reserved
	EBU_AD23	O		Data Bus Output
AJ15	P31.6	I	FAST / PU1 / VEBU / ES	General-purpose input
	GTM_TIM7_IN6_6			Mux input channel 6 of TIM module 7
	GTM_TIM2_IN6_12			Mux input channel 6 of TIM module 2
	EBU_AD_IN20			Data Bus Input
	P31.6	O0		General-purpose output
	GTM_TOUT180	O1		GTM muxed output
	—	O2		Reserved
	—	O3		Reserved
	—	O4		Reserved
	—	O5		Reserved
	—	O6		Reserved
	—	O7		Reserved
	EBU_AD20	O		Data Bus Output

Pin Definition and Functions: LFBGA-516 Package Variant Pin Configuration

Table 2-18 Port 31 Functions (cont'd)

Ball	Symbol	Ctrl.	Buffer Type	Function
AK15	P31.7	I	FAST / PU1 / VEBU / ES	General-purpose input
	GTM_TIM7_IN7_5			Mux input channel 7 of TIM module 7
	GTM_TIM2_IN7_14			Mux input channel 7 of TIM module 2
	EBU_AD_IN16			Data Bus Input
	P31.7	O0		General-purpose output
	GTM_TOUT181	O1		GTM muxed output
	—	O2		Reserved
	—	O3		Reserved
	—	O4		Reserved
	—	O5		Reserved
	—	O6		Reserved
	—	O7		Reserved
	EBU_AD16	O		Data Bus Output
AJ16	P31.8	I	FAST / PU1 / VEBU / ES	General-purpose input
	GTM_TIM6_IN0_9			Mux input channel 0 of TIM module 6
	GTM_TIM5_IN0_7			Mux input channel 0 of TIM module 5
	EBU_AD_IN31			Data Bus Input
	SENT_SENT20C			Receive input channel 20
	P31.8	O0		General-purpose output
	GTM_TOUT182	O1		GTM muxed output
	—	O2		Reserved
	—	O3		Reserved
	—	O4		Reserved
	—	O5		Reserved
	—	O6		Reserved
	—	O7		Reserved
EBU_AD31	O	Data Bus Output		

Pin Definition and Functions: LFBGA-516 Package Variant Pin Configuration

Table 2-18 Port 31 Functions (cont'd)

Ball	Symbol	Ctrl.	Buffer Type	Function
AK16	P31.9	I	FAST / PU1 / VEBU / ES	General-purpose input
	GTM_TIM6_IN1_9			Mux input channel 1 of TIM module 6
	GTM_TIM5_IN1_8			Mux input channel 1 of TIM module 5
	EBU_AD_IN27			Data Bus Input
	SENT_SENT21C			Receive input channel 21
	P31.9	O0		General-purpose output
	GTM_TOUT183	O1		GTM muxed output
	—	O2		Reserved
	—	O3		Reserved
	—	O4		Reserved
	—	O5		Reserved
	—	O6		Reserved
	—	O7		Reserved
	EBU_AD27	O		Data Bus Output
AJ17	P31.10	I	FAST / PU1 / VEBU / ES	General-purpose input
	GTM_TIM6_IN2_9			Mux input channel 2 of TIM module 6
	GTM_TIM5_IN2_7			Mux input channel 2 of TIM module 5
	EBU_AD_IN21			Data Bus Input
	SENT_SENT22C			Receive input channel 22
	P31.10	O0		General-purpose output
	GTM_TOUT184	O1		GTM muxed output
	—	O2		Reserved
	—	O3		Reserved
	—	O4		Reserved
	—	O5		Reserved
	—	O6		Reserved
	—	O7		Reserved
	EBU_AD21	O		Data Bus Output

Pin Definition and Functions: LFBGA-516 Package Variant Pin Configuration

Table 2-18 Port 31 Functions (cont'd)

Ball	Symbol	Ctrl.	Buffer Type	Function
AK17	P31.11	I	FAST / PU1 / VEBU / ES	General-purpose input
	GTM_TIM6_IN3_9			Mux input channel 3 of TIM module 6
	GTM_TIM5_IN3_8			Mux input channel 3 of TIM module 5
	EBU_AD_IN25			Data Bus Input
	SENT_SENT23C			Receive input channel 23
	P31.11	O0		General-purpose output
	GTM_TOUT185	O1		GTM muxed output
	—	O2		Reserved
	—	O3		Reserved
	—	O4		Reserved
	—	O5		Reserved
	—	O6		Reserved
	—	O7		Reserved
	EBU_AD25	O		Data Bus Output
AJ18	P31.12	I	FAST / PU1 / VEBU / ES	General-purpose input
	GTM_TIM6_IN4_8			Mux input channel 4 of TIM module 6
	GTM_TIM5_IN4_8			Mux input channel 4 of TIM module 5
	EBU_AD_IN19			Data Bus Input
	SENT_SENT24C			Receive input channel 24
	P31.12	O0		General-purpose output
	GTM_TOUT186	O1		GTM muxed output
	—	O2		Reserved
	—	O3		Reserved
	—	O4		Reserved
	—	O5		Reserved
	—	O6		Reserved
	—	O7		Reserved
	EBU_AD19	O		Data Bus Output

Pin Definition and Functions: LFBGA-516 Package Variant Pin Configuration

Table 2-18 Port 31 Functions (cont'd)

Ball	Symbol	Ctrl.	Buffer Type	Function
AK18	P31.13	I	FAST / PU1 / VEBU / ES	General-purpose input
	GTM_TIM6_IN5_8			Mux input channel 5 of TIM module 6
	GTM_TIM5_IN5_8			Mux input channel 5 of TIM module 5
	EBU_AD_IN22			Data Bus Input
	P31.13	O0		General-purpose output
	GTM_TOUT187	O1		GTM muxed output
	—	O2		Reserved
	—	O3		Reserved
	—	O4		Reserved
	—	O5		Reserved
	—	O6		Reserved
	—	O7		Reserved
	EBU_AD22	O		Data Bus Output
AJ19	P31.14	I	FAST / PU1 / VEBU / ES	General-purpose input
	GTM_TIM6_IN6_8			Mux input channel 6 of TIM module 6
	GTM_TIM5_IN6_8			Mux input channel 6 of TIM module 5
	EBU_AD_IN18			Data Bus Input
	P31.14	O0		General-purpose output
	GTM_TOUT188	O1		GTM muxed output
	—	O2		Reserved
	—	O3		Reserved
	—	O4		Reserved
	—	O5		Reserved
	—	O6		Reserved
	—	O7		Reserved
	EBU_AD18	O		Data Bus Output

Pin Definition and Functions: LFBGA-516 Package Variant Pin Configuration

Table 2-18 Port 31 Functions (cont'd)

Ball	Symbol	Ctrl.	Buffer Type	Function
AK19	P31.15	I	FAST / PU1 / VEBU / ES	General-purpose input
	GTM_TIM6_IN7_8			Mux input channel 7 of TIM module 6
	GTM_TIM5_IN7_7			Mux input channel 7 of TIM module 5
	EBU_AD_IN17			Data Bus Input
	P31.15	O0		General-purpose output
	GTM_TOUT189	O1		GTM muxed output
	—	O2		Reserved
	—	O3		Reserved
	—	O4		Reserved
	—	O5		Reserved
	—	O6		Reserved
	—	O7		Reserved
	EBU_AD17	O		Data Bus Output

Table 2-19 Port 32 Functions

Ball	Symbol	Ctrl.	Buffer Type	Function
AE22	P32.0	I	SLOW / PU1 / VEXT / ES	General-purpose input P32.0 / SMPS mode: analog output. External Pass Device gate control for EVRC
	GTM_TIM3_IN2_5			Mux input channel 2 of TIM module 3
	GTM_TIM2_IN2_5			Mux input channel 2 of TIM module 2
	P32.0	O0		General-purpose output
	GTM_TOUT36	O1		GTM muxed output
	—	O2		Reserved
	—	O3		Reserved
	—	O4		Reserved
	—	O5		Reserved
	—	O6		Reserved
	—	O7		Reserved

Pin Definition and Functions: LFBGA-516 Package Variant Pin Configuration

Table 2-19 Port 32 Functions (cont'd)

Ball	Symbol	Ctrl.	Buffer Type	Function
AD22	P32.1	I	SLOW / PU1 / VEXT / ES	General-purpose input P32.1 / External Pass Device gate control for EVRC
	GTM_TIM3_IN3_15			Mux input channel 3 of TIM module 3
	P32.1	O0		General-purpose output
	GTM_TOUT37	O1		GTM muxed output
	—	O2		Reserved
	—	O3		Reserved
	—	O4		Reserved
	—	O5		Reserved
	—	O6		Reserved
	—	O7		Reserved
AE23	P32.2	I	SLOW / PU1 / VEXT / ES	General-purpose input
	GTM_TIM1_IN3_8			Mux input channel 3 of TIM module 1
	GTM_TIM0_IN3_8			Mux input channel 3 of TIM module 0
	CAN03_RXDB			CAN receive input node 3
	ASCLIN3_ARXD			Receive input
	CAN21_RXDD			CAN receive input node 1
	P32.2			O0
	GTM_TOUT38	O1		GTM muxed output
	ASCLIN3_ATX	O2		Transmit output
	IOM_MON2_15			Monitor input 2
	IOM_REF2_15			Reference input 2
	—			O3
	—	O4		Reserved
	—	O5		Reserved
	PMS_DCDCSYNCO	O6		DC-DC synchronization output
—	O7	Reserved		

Pin Definition and Functions: LFBGA-516 Package Variant Pin Configuration

Table 2-19 Port 32 Functions (cont'd)

Ball	Symbol	Ctrl.	Buffer Type	Function
AE24	P32.3	I	SLOW / PU1 / VEXT / ES	General-purpose input
	GTM_TIM1_IN4_5			Mux input channel 4 of TIM module 1
	GTM_TIM0_IN4_5			Mux input channel 4 of TIM module 0
	P32.3	O0		General-purpose output
	GTM_TOUT39	O1		GTM muxed output
	ASCLIN3_ATX	O2		Transmit output
	IOM_MON2_15			Monitor input 2
	IOM_REF2_15			Reference input 2
	—	O3		Reserved
	ASCLIN3_ASCLK	O4		Shift clock output
	CAN03_TXD	O5		CAN transmit output node 3
	IOM_MON2_8			Monitor input 2
	IOM_REF2_8			Reference input 2
	CAN21_TXD	O6		CAN transmit output node 1
	—	O7		Reserved
AD23	P32.4	I	FAST / PU1 / VEXT / ES	General-purpose input
	GTM_TIM1_IN5_5			Mux input channel 5 of TIM module 1
	GTM_TIM0_IN5_5			Mux input channel 5 of TIM module 0
	ASCLIN1_ACTSB			Clear to send input
	MSC1_SDI2			Upstream asynchronous input signal
	P32.4	O0		General-purpose output
	GTM_TOUT40	O1		GTM muxed output
	—	O2		Reserved
	—	O3		Reserved
	GTM_CLK1	O4		CGM generated clock
	MSC1_EN0	O5		Chip Select
	CCU_EXTCLK1	O6		External Clock 1
	CCU60_COUT63	O7		T13 PWM channel 63
	IOM_MON1_6			Monitor input 1
	IOM_REF1_0			Reference input 1
	PMS_DCDCSYNCO	O		DC-DC synchronization output

Pin Definition and Functions: LFBGA-516 Package Variant Pin Configuration

Table 2-19 Port 32 Functions (cont'd)

Ball	Symbol	Ctrl.	Buffer Type	Function	
AA20	P32.5	I	SLOW / PU1 / VEXT / ES	General-purpose input	
	GTM_TIM5_IN5_9			Mux input channel 5 of TIM module 5	
	GTM_TIM4_IN1_14			Mux input channel 1 of TIM module 4	
	GTM_TIM3_IN5_8			Mux input channel 5 of TIM module 3	
	SENT_SENT10C			Receive input channel 10	
	P32.5			O0	General-purpose output
	GTM_TOUT140			O1	GTM muxed output
	ASCLIN2_ATX			O2	Transmit output
	IOM_MON2_14				Monitor input 2
	IOM_REF2_14				Reference input 2
	—	O3	Reserved		
	—	O4	Reserved		
	—	O5	Reserved		
	CAN02_TXD	O6	CAN transmit output node 2		
	IOM_MON2_7		Monitor input 2		
	IOM_REF2_7		Reference input 2		
—	O7	Reserved			
AB20	P32.6	I	SLOW / PU1 / VEXT / ES	General-purpose input	
	GTM_TIM5_IN6_9			Mux input channel 6 of TIM module 5	
	GTM_TIM4_IN4_15			Mux input channel 4 of TIM module 4	
	GTM_TIM3_IN6_8			Mux input channel 6 of TIM module 3	
	CAN02_RXDC			CAN receive input node 2	
	CBS_TGI4			Trigger input	
	ASCLIN2_ARXF			Receive input	
	ASCLIN6_ARXC			Receive input	
	SENT_SENT11C			Receive input channel 11	
	P32.6			O0	General-purpose output
	GTM_TOUT141	O1	GTM muxed output		
	—	O2	Reserved		
	—	O3	Reserved		
	QSPI2_SLSO12	O4	Master slave select output		
	CAN22_TXD	O5	CAN transmit output node 2		
	—	O6	Reserved		
	—	O7	Reserved		
	CBS_TGO4	O	Trigger output		

Pin Definition and Functions: LFBGA-516 Package Variant Pin Configuration

Table 2-19 Port 32 Functions (cont'd)

Ball	Symbol	Ctrl.	Buffer Type	Function
AB21	P32.7	I	SLOW / PU1 / VEXT / ES	General-purpose input
	GTM_TIM5_IN7_8			Mux input channel 7 of TIM module 5
	GTM_TIM4_IN0_15			Mux input channel 0 of TIM module 4
	GTM_TIM3_IN7_8			Mux input channel 7 of TIM module 3
	CBS_TGI5			Trigger input
	CAN22_RXDB			CAN receive input node 2
	SENT_SENT12C			Receive input channel 12
	P32.7			O0
	GTM_TOUT142	O1	GTM muxed output	
	ASCLIN6_ATX	O2	Transmit output	
	—	O3	Reserved	
	—	O4	Reserved	
	—	O5	Reserved	
	—	O6	Reserved	
	—	O7	Reserved	
	CBS_TGO5	O	Trigger output	

Pin Definition and Functions: LFBGA-516 Package Variant Pin Configuration

Table 2-20 Port 33 Functions

Ball	Symbol	Ctrl.	Buffer Type	Function
AD15	P33.0	I	SLOW / PU1 / VEVRSB / ES5	General-purpose input
	GTM_TIM3_IN0_13			Mux input channel 0 of TIM module 3
	GTM_TIM1_IN4_6			Mux input channel 4 of TIM module 1
	GTM_TIM0_IN4_6			Mux input channel 4 of TIM module 0
	EDSADC_ITR0E			Trigger/Gate input, channel 0
	SENT_SENT13C			Receive input channel 13
	IOM_PIN_0			GPIO pad input to FPC
	GTM_DTMT1_2			CDTM1_DTM0
	EVADC_G10CH7			AI
	EVADC_FC7CH0		Analog input FC channel 7	
	P33.0	O0	General-purpose output	
	GTM_TOUT22	O1	GTM muxed output	
	IOM_MON0_0		Monitor input 0	
	IOM_GTM_0		GTM-provided inputs to EXOR combiner	
	ASCLIN5_ATX	O2	Transmit output	
	—	O3	Reserved	
	—	O4	Reserved	
	—	O5	Reserved	
	EVADC_FC2BFLOUT	O6	Boundary flag output, FC channel 2	
	—	O7	Reserved	

Pin Definition and Functions: LFBGA-516 Package Variant Pin Configuration

Table 2-20 Port 33 Functions (cont'd)

Ball	Symbol	Ctrl.	Buffer Type	Function
AE15	P33.1	I	SLOW / PU1 / VEVRSB / ES5	General-purpose input
	GTM_TIM3_IN1_15			Mux input channel 1 of TIM module 3
	GTM_TIM1_IN5_6			Mux input channel 5 of TIM module 1
	GTM_TIM0_IN5_6			Mux input channel 5 of TIM module 0
	EDSADC_ITR1E			Trigger/Gate input, channel 1
	PSI5_RX0C			RXD inputs (receive data) channel 0
	EDSADC_DSCIN2B			Modulator clock input, channel 2
	SENT_SENT9C			Receive input channel 9
	ASCLIN8_ARXC			Receive input
	IOM_PIN_1			GPIO pad input to FPC
	EVADC_G10CH6	AI	Analog input channel 6, group 10	
	EVADC_FC6CH0		Analog input FC channel 6	
	P33.1	O0	General-purpose output	
	GTM_TOUT23	O1	GTM muxed output	
	IOM_MON0_1		Monitor input 0	
	IOM_GTM_1		GTM-provided inputs to EXOR combiner	
	ASCLIN3_ASLSO	O2	Slave select signal output	
	QSPI2_SCLK	O3	Master SPI clock output	
	EDSADC_DSCOUT2	O4	Modulator clock output	
	EVADC_EMUX02	O5	Control of external analog multiplexer interface 0	
EVADC_FC4BFLOUT	O6	Boundary flag output, FC channel 4		
—	O7	Reserved		

Pin Definition and Functions: LFBGA-516 Package Variant Pin Configuration

Table 2-20 Port 33 Functions (cont'd)

Ball	Symbol	Ctrl.	Buffer Type	Function
AD16	P33.2	I	SLOW / PU1 / VEVRSB / ES5	General-purpose input
	GTM_TIM3_IN2_14			Mux input channel 2 of TIM module 3
	GTM_TIM1_IN6_6			Mux input channel 6 of TIM module 1
	GTM_TIM0_IN6_6			Mux input channel 6 of TIM module 0
	EDSADC_ITR2E			Trigger/Gate input, channel 2
	SENT_SENT8C			Receive input channel 8
	EDSADC_DSDIN2B			Digital datastream input, channel 2
	IOM_PIN_2			GPIO pad input to FPC
	EVADC_G10CH5			AI
	EVADC_FC5CH0	Analog input FC channel 5		
	P33.2	O0	General-purpose output	
	GTM_TOUT24	O1	GTM muxed output	
	IOM_MON0_2		Monitor input 0	
	IOM_GTM_2		GTM-provided inputs to EXOR combiner	
	ASCLIN3_ASCLK	O2	Shift clock output	
	QSPI2_SLSO10	O3	Master slave select output	
	PSI5_TX0	O4	TXD outputs (send data)	
	IOM_MON1_14		Monitor input 1	
	IOM_REF1_14		Reference input 1	
	EVADC_EMUX01	O5	Control of external analog multiplexer interface 0	
EVADC_FC3BFLOUT	O6	Boundary flag output, FC channel 3		
—	O7	Reserved		

Pin Definition and Functions: LFBGA-516 Package Variant Pin Configuration

Table 2-20 Port 33 Functions (cont'd)

Ball	Symbol	Ctrl.	Buffer Type	Function
AE16	P33.3	I	SLOW / PU1 / VEVRSB / ES5	General-purpose input
	GTM_TIM3_IN3_12			Mux input channel 3 of TIM module 3
	GTM_TIM1_IN7_6			Mux input channel 7 of TIM module 1
	GTM_TIM0_IN7_6			Mux input channel 7 of TIM module 0
	PSI5_RX1C			RXD inputs (receive data) channel 1
	SENT_SENT7C			Receive input channel 7
	EDSADC_DSCIN1B			Modulator clock input, channel 1
	IOM_PIN_3			GPIO pad input to FPC
	EVADC_G10CH4			Analog input channel 4, group 10
	EVADC_FC4CH0	Analog input FC channel 4		
	P33.3	O0	General-purpose output	
	GTM_TOUT25	O1	GTM muxed output	
	IOM_MON0_3		Monitor input 0	
	IOM_GTM_3		GTM-provided inputs to EXOR combiner	
	ASCLIN5_ASCLK	O2	Shift clock output	
	QSPI4_SLSO2	O3	Master slave select output	
	EDSADC_DSCOUT1	O4	Modulator clock output	
	EVADC_EMUX00	O5	Control of external analog multiplexer interface 0	
	EVADC_FC5BFLOUT	O6	Boundary flag output, FC channel 5	
	—	O7	Reserved	

Pin Definition and Functions: LFBGA-516 Package Variant Pin Configuration

Table 2-20 Port 33 Functions (cont'd)

Ball	Symbol	Ctrl.	Buffer Type	Function
AD17	P33.4	I	SLOW / PU1 / VEVRSB / ES5	General-purpose input
	GTM_TIM4_IN4_10			Mux input channel 4 of TIM module 4
	GTM_TIM1_IN0_10			Mux input channel 0 of TIM module 1
	GTM_TIM0_IN0_10			Mux input channel 0 of TIM module 0
	EDSADC_ITR0F			Trigger/Gate input, channel 0
	SENT_SENT6C			Receive input channel 6
	EDSADC_DSDIN1B			Digital datastream input, channel 1
	CCU61_CTRAPC			Trap input capture
	ASCLIN5_ARXB			Receive input
	IOM_PIN_4			GPIO pad input to FPC
	GTM_DTMT2_0			CDTM2_DTM0
	EVADC_G10CH3			AI
	P33.4	O0	General-purpose output	
	GTM_TOUT26	O1	GTM muxed output	
	IOM_MON0_4		Monitor input 0	
	IOM_GTM_4		GTM-provided inputs to EXOR combiner	
	ASCLIN2_ARTS	O2	Ready to send output	
	QSPI2_SLSO12	O3	Master slave select output	
	PSI5_TX1	O4	TXD outputs (send data)	
	IOM_MON1_15		Monitor input 1	
EVADC_EMUX12	O5	Control of external analog multiplexer interface 1		
EVADC_FC0BFLOUT	O6	Boundary flag output, FC channel 0		
CAN13_TXD	O7	CAN transmit output node 3		

Pin Definition and Functions: LFBGA-516 Package Variant Pin Configuration

Table 2-20 Port 33 Functions (cont'd)

Ball	Symbol	Ctrl.	Buffer Type	Function
AE17	P33.5	I	SLOW / PU1 / VEVRSB / ES5	General-purpose input
	GTM_TIM4_IN5_10			Mux input channel 5 of TIM module 4
	GTM_TIM1_IN1_8			Mux input channel 1 of TIM module 1
	GTM_TIM0_IN1_8			Mux input channel 1 of TIM module 0
	EDSADC_DSCIN0B			Modulator clock input, channel 0
	EDSADC_ITR1F			Trigger/Gate input, channel 1
	GPT120_T4EUDB			Count direction control input of timer T4
	PSI5S_RXC			RX data input
	ASCLIN2_ACTSB			Clear to send input
	CCU61_CCPOS2C			Hall capture input 2
	PSI5_RX2C			RXD inputs (receive data) channel 2
	SENT_SENT5C			Receive input channel 5
	CAN13_RXDB			CAN receive input node 3
	IOM_PIN_5			GPIO pad input to FPC
	EVADC_G10CH2	AI	Analog input channel 2, group 10	
	P33.5	O0	General-purpose output	
	GTM_TOUT27	O1	GTM muxed output	
	IOM_MON0_5		Monitor input 0	
	IOM_GTM_5		GTM-provided inputs to EXOR combiner	
	QSPIO_SLSO7	O2	Master slave select output	
QSPI1_SLSO7	O3	Master slave select output		
EDSADC_DSCOUT0	O4	Modulator clock output		
EVADC_EMUX11	O5	Control of external analog multiplexer interface 1		
EVADC_FC2BFLOUT	O6	Boundary flag output, FC channel 2		
ASCLIN5_ASLSO	O7	Slave select signal output		

Pin Definition and Functions: LFBGA-516 Package Variant Pin Configuration

Table 2-20 Port 33 Functions (cont'd)

Ball	Symbol	Ctrl.	Buffer Type	Function	
AD18	P33.6	I	SLOW / PU1 / VEVRSB / ES5	General-purpose input	
	GTM_TIM1_IN2_9			Mux input channel 2 of TIM module 1	
	GTM_TIM0_IN2_9			Mux input channel 2 of TIM module 0	
	EDSADC_ITR2F			Trigger/Gate input, channel 2	
	GPT120_T2EUDB			Count direction control input of timer T2	
	SENT_SENT4C			Receive input channel 4	
	CCU61_CCPOS1C			Hall capture input 1	
	EDSADC_DSDIN0B			Digital datastream input, channel 0	
	ASCLIN8_ARXD			Receive input	
	IOM_PIN_6			GPIO pad input to FPC	
	GTM_DTMT2_1			CDTM2_DTM0	
	EVADC_G10CH1			AI	Analog input channel 1, group 10
	P33.6			O0	General-purpose output
	GTM_TOUT28	O1	GTM muxed output		
	IOM_MON0_6		Monitor input 0		
	IOM_GTM_6		GTM-provided inputs to EXOR combiner		
	ASCLIN2_ASLSO	O2	Slave select signal output		
	QSPI2_SLSO11	O3	Master slave select output		
	PSI5_TX2	O4	TXD outputs (send data)		
	IOM_REF1_15		Reference input 1		
EVADC_EMUX10	O5	Control of external analog multiplexer interface 1			
EVADC_FC1BFLOUT	O6	Boundary flag output, FC channel 1			
PSI5S_TX	O7	TX data output			

Pin Definition and Functions: LFBGA-516 Package Variant Pin Configuration

Table 2-20 Port 33 Functions (cont'd)

Ball	Symbol	Ctrl.	Buffer Type	Function
AE18	P33.7	I	SLOW / PU1 / VEVRSB / ES5	General-purpose input
	GTM_TIM1_IN3_9			Mux input channel 3 of TIM module 1
	GTM_TIM0_IN3_9			Mux input channel 3 of TIM module 0
	CAN00_RXDE			CAN receive input node 0
	GPT120_T2INB			Trigger/gate input of timer T2
	CCU61_CCPOS0C			Hall capture input 0
	SCU_E_REQ4_0			ERU Channel 4 inputs 0 to 5 (0 is the LSB and 5 is the MSB)
	SENT_SENT14C			Receive input channel 14
	IOM_PIN_7			GPIO pad input to FPC
	EVADC_G10CH0	AI	Analog input channel 0, group 10	
	P33.7	O0	General-purpose output	
	GTM_TOUT29	O1	GTM muxed output	
	IOM_MON0_7		Monitor input 0	
	IOM_GTM_7	GTM-provided inputs to EXOR combiner		
	ASCLIN2_ASCLK	O2	Shift clock output	
	QSPI4_SLSO7	O3	Master slave select output	
	ASCLIN8_ATX	O4	Transmit output	
	—	O5	Reserved	
	EVADC_FC3BFLOUT	O6	Boundary flag output, FC channel 3	
—	O7	Reserved		

Pin Definition and Functions: LFBGA-516 Package Variant Pin Configuration

Table 2-20 Port 33 Functions (cont'd)

Ball	Symbol	Ctrl.	Buffer Type	Function
AD19	P33.8	I	FAST / HighZ / VEVRSB	General-purpose input
	GTM_TIM1_IN4_7			Mux input channel 4 of TIM module 1
	GTM_TIM0_IN4_7			Mux input channel 4 of TIM module 0
	ASCLIN2_ARXE			Receive input
	SCU_EMGSTOP_PORT_A			Emergency stop Port Pin A input request
	IOM_PIN_8			GPIO pad input to FPC
	P33.8	O0	General-purpose output	
	GTM_TOUT30	O1	GTM muxed output	
	IOM_MON0_8	O2	Monitor input 0	
	ASCLIN2_ATX		Transmit output	
	IOM_MON2_14		Monitor input 2	
	IOM_REF2_14	O3	Reference input 2	
	QSPI4_SLSO2		Master slave select output	
	—	O4	Reserved	
	CAN00_TXD	O5	CAN transmit output node 0	
	IOM_MON2_5	O6	Monitor input 2	
	IOM_REF2_5		Reference input 2	
	—		Reserved	
	CCU61_COUT62	O7	T12 PWM channel 62	
	IOM_MON1_13	O	Monitor input 1	
IOM_REF1_8	Reference input 1			
SMU_FSP0		FSP[1..0] Output Signals - Generated by SMU_core		

Pin Definition and Functions: LFBGA-516 Package Variant Pin Configuration

Table 2-20 Port 33 Functions (cont'd)

Ball	Symbol	Ctrl.	Buffer Type	Function
AE19	P33.9	I	SLOW / PU1 / VEVRSB / ES5	General-purpose input
	GTM_TIM1_IN1_9			Mux input channel 1 of TIM module 1
	GTM_TIM0_IN1_9			Mux input channel 1 of TIM module 0
	QSPI3_HUSICINA			Highspeed capture channel
	IOM_PIN_9			GPIO pad input to FPC
	P33.9	O0	General-purpose output	
	GTM_TOUT31	O1	GTM muxed output	
	IOM_MON0_9	O2	Monitor input 0	
	ASCLIN2_ATX		Transmit output	
	IOM_MON2_14		Monitor input 2	
	IOM_REF2_14		Reference input 2	
	QSPI4_SLSO1	O3	Master slave select output	
	ASCLIN2_ASCLK	O4	Shift clock output	
	CAN01_TXD	O5	CAN transmit output node 1	
	IOM_MON2_6	O6	Monitor input 2	
	IOM_REF2_6		Reference input 2	
	ASCLIN0_ATX		Transmit output	
	IOM_MON2_12	O7	Monitor input 2	
	IOM_REF2_12		Reference input 2	
	CCU61_CC62	O7	T12 PWM channel 62	
IOM_MON1_10	Monitor input 1			
IOM_REF1_11	Reference input 1			

Pin Definition and Functions: LFBGA-516 Package Variant Pin Configuration

Table 2-20 Port 33 Functions (cont'd)

Ball	Symbol	Ctrl.	Buffer Type	Function	
AD20	P33.10	I	FAST / PU1 / VEVR SB / ES5	General-purpose input	
	GTM_TIM4_IN4_14			Mux input channel 4 of TIM module 4	
	GTM_TIM1_IN0_9			Mux input channel 0 of TIM module 1	
	GTM_TIM0_IN0_9			Mux input channel 0 of TIM module 0	
	QSPI4_SLSIA			Slave select input	
	QSPI3_HSICINB			Highspeed capture channel	
	CAN01_RXDD			CAN receive input node 1	
	ASCLIN0_ARXD			Receive input	
	IOM_PIN_10			GPIO pad input to FPC	
	P33.10			O0	General-purpose output
	GTM_TOUT32	O1	GTM muxed output		
	IOM_MON0_10		Monitor input 0		
	QSPI1_SLSO6	O2	Master slave select output		
	QSPI4_SLSO0	O3	Master slave select output		
	ASCLIN1_ASLSO	O4	Slave select signal output		
	PSI5S_CLK	O5	PSI5S CLK is a clock that can be used on a pin to drive the external PHY.		
	—	O6	Reserved		
	CCU61_COUT61	O7	T12 PWM channel 61		
	IOM_MON1_12		Monitor input 1		
	IOM_REF1_9		Reference input 1		
SMU_FSP1	O	FSP[1..0] Output Signals - Generated by SMU_core			
AE20	P33.11	I	FAST / PU1 / VEVR SB / ES5	General-purpose input	
	GTM_TIM1_IN2_8			Mux input channel 2 of TIM module 1	
	GTM_TIM0_IN2_8			Mux input channel 2 of TIM module 0	
	QSPI4_SCLKA			Slave SPI clock inputs	
	IOM_PIN_11			GPIO pad input to FPC	
	P33.11			O0	General-purpose output
	GTM_TOUT33			O1	GTM muxed output
	IOM_MON0_11				Monitor input 0
	ASCLIN1_ASCLK			O2	Shift clock output
	QSPI4_SCLK			O3	Master SPI clock output
	—	O4	Reserved		
	—	O5	Reserved		
	EDSADC_CGPWMN	O6	Negative carrier generator output		
	CCU61_CC61	O7	T12 PWM channel 61		
	IOM_MON1_9		Monitor input 1		
IOM_REF1_12		Reference input 1			

Pin Definition and Functions: LFBGA-516 Package Variant Pin Configuration

Table 2-20 Port 33 Functions (cont'd)

Ball	Symbol	Ctrl.	Buffer Type	Function
AD21	P33.12	I	FAST / PU1 / VEVRSB / ES5	General-purpose input
	GTM_TIM3_IN0_6			Mux input channel 0 of TIM module 3
	GTM_TIM2_IN0_6			Mux input channel 0 of TIM module 2
	QSPI4_MTSRA			Slave SPI data input
	CAN00_RXDD			CAN receive input node 0
	PMS_PINBWKP			PINB (P33.12) pin input
	IOM_PIN_12			GPIO pad input to FPC
	P33.12	O0	General-purpose output	
	GTM_TOUT34	O1	GTM muxed output	
	IOM_MON0_12	O2	Monitor input 0	
	ASCLIN1_ATX		Transmit output	
	IOM_MON2_13		Monitor input 2	
	IOM_REF2_13	Reference input 2		
	QSPI4_MTSR	O3	Master SPI data output	
	ASCLIN1_ASCLK	O4	Shift clock output	
	CAN22_TXD	O5	CAN transmit output node 2	
	EDSADC_CGPWMP	O6	Positive carrier generator output	
	CCU61_COUT60	O7	T12 PWM channel 60	
	IOM_MON1_11		Monitor input 1	
	IOM_REF1_10		Reference input 1	

Pin Definition and Functions: LFBGA-516 Package Variant Pin Configuration

Table 2-20 Port 33 Functions (cont'd)

Ball	Symbol	Ctrl.	Buffer Type	Function
AE21	P33.13	I	FAST / PU1 / VEVRSB / ES5	General-purpose input
	GTM_TIM3_IN1_5			Mux input channel 1 of TIM module 3
	GTM_TIM2_IN1_5			Mux input channel 1 of TIM module 2
	ASCLIN1_ARXF			Receive input
	EDSADC_SGNB			Carrier sign signal input
	QSPI4_MRSTA			Master SPI data input
	MSC1_INJ1			Injection signal from port
	CAN22_RXDA			CAN receive input node 2
	P33.13	O0	General-purpose output	
	GTM_TOUT35	O1	GTM muxed output	
	ASCLIN1_ATX	O2	Transmit output	
	IOM_MON2_13	O2	Monitor input 2	
	IOM_REF2_13		Reference input 2	
	QSPI4_MRST	O3	Slave SPI data output	
	IOM_MON2_4	O3	Monitor input 2	
	IOM_REF2_4		Reference input 2	
	QSPI2_SLSO6	O4	Master slave select output	
	CAN00_TXD	O5	CAN transmit output node 0	
	IOM_MON2_5	O5	Monitor input 2	
	IOM_REF2_5		Reference input 2	
	—	O6	Reserved	
	CCU61_CC60	O7	T12 PWM channel 60	
	IOM_MON1_8	O7	Monitor input 1	
	IOM_REF1_13		Reference input 1	

Pin Definition and Functions: LFBGA-516 Package Variant Pin Configuration

Table 2-20 Port 33 Functions (cont'd)

Ball	Symbol	Ctrl.	Buffer Type	Function
AA19	P33.14	I	FAST / PU1 / VEVRSB / ES5	General-purpose input
	GTM_TIM5_IN0_8			Mux input channel 0 of TIM module 5
	GTM_TIM4_IN5_14			Mux input channel 5 of TIM module 4
	GTM_TIM2_IN0_8			Mux input channel 0 of TIM module 2
	QSPI2_SCLKD			Slave SPI clock inputs
	CBS_TGI6			Trigger input
	P33.14	O0	SLOW / PU1 / VEVRSB / ES5	General-purpose output
	GTM_TOUT143	O1		GTM muxed output
	—	O2		Reserved
	QSPI2_SCLK	O3		Master SPI clock output
	—	O4		Reserved
	—	O5		Reserved
	—	O6		Reserved
	CCU60_CC62	O7		T12 PWM channel 62
	IOM_MON1_0			Monitor input 1
	IOM_REF1_4			Reference input 1
CBS_TGO6	O	Trigger output		
AB19	P33.15	I	SLOW / PU1 / VEVRSB / ES5	General-purpose input
	GTM_TIM5_IN1_9			Mux input channel 1 of TIM module 5
	GTM_TIM4_IN6_12			Mux input channel 6 of TIM module 4
	GTM_TIM2_IN1_7			Mux input channel 1 of TIM module 2
	CBS_TGI7			Trigger input
	P33.15	O0	SLOW / PU1 / VEVRSB / ES5	General-purpose output
	GTM_TOUT144	O1		GTM muxed output
	—	O2		Reserved
	QSPI2_SLSO11	O3		Master slave select output
	—	O4		Reserved
	—	O5		Reserved
	—	O6		Reserved
	CCU60_COUT62	O7		T12 PWM channel 62
	IOM_MON1_5			Monitor input 1
	IOM_REF1_1			Reference input 1
	CBS_TGO7	O	Trigger output	

Pin Definition and Functions: LFBGA-516 Package Variant Pin Configuration

Table 2-21 Port 34 Functions

Ball	Symbol	Ctrl.	Buffer Type	Function
AB16	P34.1	I	SLOW / PU1 / VEVR SB / ES5	General-purpose input
	GTM_TIM5_IN3_9			Mux input channel 3 of TIM module 5
	GTM_TIM3_IN4_12			Mux input channel 4 of TIM module 3
	GTM_TIM2_IN3_9			Mux input channel 3 of TIM module 2
	EVADC_G10CH11	AI		Analog input channel 11, group 10
	P34.1	O0		General-purpose output
	GTM_TOUT146	O1		GTM muxed output
	ASCLIN4_ATX	O2		Transmit output
	—	O3		Reserved
	CAN00_TXD	O4		CAN transmit output node 0
	IOM_MON2_5			Monitor input 2
	IOM_REF2_5			Reference input 2
	CAN20_TXD	O5		CAN transmit output node 0
	—	O6		Reserved
	CCU60_COUT63	O7		T13 PWM channel 63
	IOM_MON1_6			Monitor input 1
IOM_REF1_0		Reference input 1		
AA17	P34.2	I	SLOW / PU1 / VEVR SB / ES	General-purpose input
	GTM_TIM5_IN4_9			Mux input channel 4 of TIM module 5
	GTM_TIM3_IN5_13			Mux input channel 5 of TIM module 3
	GTM_TIM2_IN4_8			Mux input channel 4 of TIM module 2
	ASCLIN4_ARXB			Receive input
	CAN00_RXDG			CAN receive input node 0
	CAN20_RXDC			CAN receive input node 0
	EVADC_G10CH10	AI		Analog input channel 10, group 10
	P34.2	O0		General-purpose output
	GTM_TOUT147	O1		GTM muxed output
	—	O2		Reserved
	—	O3		Reserved
	—	O4		Reserved
	—	O5		Reserved
	—	O6		Reserved
	CCU60_CC60	O7		T12 PWM channel 60
IOM_MON1_2		Monitor input 1		
IOM_REF1_6		Reference input 1		

Pin Definition and Functions: LFBGA-516 Package Variant Pin Configuration

Table 2-21 Port 34 Functions (cont'd)

Ball	Symbol	Ctrl.	Buffer Type	Function
AB17	P34.3	I	SLOW / PU1 / VEVRSB / ES	General-purpose input
	GTM_TIM5_IN5_10			Mux input channel 5 of TIM module 5
	GTM_TIM3_IN6_13			Mux input channel 6 of TIM module 3
	GTM_TIM2_IN5_9			Mux input channel 5 of TIM module 2
	EVADC_G10CH9	AI		Analog input channel 9, group 10
	P34.3	O0		General-purpose output
	GTM_TOUT148	O1		GTM muxed output
	ASCLIN4_ASCLK	O2		Shift clock output
	—	O3		Reserved
	QSPI2_SLSO10	O4		Master slave select output
	—	O5		Reserved
	—	O6		Reserved
	CCU60_COUT60	O7		T12 PWM channel 60
	IOM_MON1_3			Monitor input 1
IOM_REF1_3	Reference input 1			
AA18	P34.4	I	SLOW / PU1 / VEVRSB / ES	General-purpose input
	GTM_TIM5_IN6_10			Mux input channel 6 of TIM module 5
	GTM_TIM3_IN7_12			Mux input channel 7 of TIM module 3
	GTM_TIM2_IN6_8			Mux input channel 6 of TIM module 2
	QSPI2_MRSTD			Master SPI data input
	EVADC_G10CH8	AI		Analog input channel 8, group 10
	P34.4	O0		General-purpose output
	GTM_TOUT149	O1		GTM muxed output
	ASCLIN4_ASLSO	O2		Slave select signal output
	—	O3		Reserved
	QSPI2_MRST	O4		Slave SPI data output
	IOM_MON2_2			Monitor input 2
	IOM_REF2_2			Reference input 2
	—			O5
	EVADC_FC6BFLOUT	O6		Boundary flag output, FC channel 6
	CCU60_CC61	O7		T12 PWM channel 61
	IOM_MON1_1			Monitor input 1
IOM_REF1_5	Reference input 1			

Pin Definition and Functions: LFBGA-516 Package Variant Pin Configuration

Table 2-21 Port 34 Functions (cont'd)

Ball	Symbol	Ctrl.	Buffer Type	Function
AB18	P34.5	I	FAST / PU1 / VEVR SB / ES	General-purpose input
	GTM_TIM5_IN7_9			Mux input channel 7 of TIM module 5
	GTM_TIM4_IN7_12			Mux input channel 7 of TIM module 4
	GTM_TIM2_IN7_9			Mux input channel 7 of TIM module 2
	QSPI2_MTSRD			Slave SPI data input
	ASCLIN8_ARXE			Receive input
	P34.5	O0		General-purpose output
	GTM_TOUT150	O1		GTM muxed output
	ASCLIN8_ATX	O2		Transmit output
	—	O3		Reserved
	QSPI2_MTSR	O4		Master SPI data output
	—	O5		Reserved
	EVADC_FC7BFLOUT	O6		Boundary flag output, FC channel 7
	CCU60_COUT61	O7		T12 PWM channel 61
	IOM_MON1_4			Monitor input 1
IOM_REF1_2		Reference input 1		

Table 2-22 Analog Inputs

Ball	Symbol	Ctrl.	Buffer Type	Function
AA15	AN0	I	D / HighZ / VDDM	Analog Input 0
	EVADC_G0CH0			Analog input channel 0, group 0
	EDSADC_EDS3PA			Positive analog input channel 3, pin A
AB15	AN1	I	D / HighZ / VDDM	Analog Input 1
	EVADC_G0CH1			Analog input channel 1, group 0
	EDSADC_EDS3NA			Negative analog input channel 3, pin A
AD14	AN2	I	D / HighZ / VDDM	Analog Input 2
	EVADC_G0CH2			Analog input channel 2, group 0
	EDSADC_EDS0PA			Positive analog input channel 0, pin A
AB14	AN3	I	D / HighZ / VDDM	Analog Input 3
	EVADC_G0CH3			Analog input channel 3, group 0
	EDSADC_EDS0NA			Negative analog input channel 0, pin A
AA14	AN4	I	D / HighZ / VDDM	Analog Input 4
	EVADC_G11CH0			Analog input channel 0, group 11
	EVADC_G0CH4			Analog input channel 4, group 0
AE14	AN5	I	D / HighZ / VDDM	Analog Input 5
	EVADC_G11CH1			Analog input channel 1, group 11
	EVADC_G0CH5			Analog input channel 5, group 0

Pin Definition and Functions: LFBGA-516 Package Variant Pin Configuration

Table 2-22 Analog Inputs (cont'd)

Ball	Symbol	Ctrl.	Buffer Type	Function
AA13	AN6	I	D / HighZ / VDDM	Analog Input 6
	EVADC_G11CH2			Analog input channel 2, group 11
	EVADC_G0CH6			Analog input channel 6, group 0
AB13	AN7	I	D / HighZ / VDDM	Analog Input 7
	EVADC_G11CH3			Analog input channel 3, group 11
	EVADC_G0CH7			Analog input channel 7, group 0
AD13	AN8	I	D / HighZ / VDDM	Analog Input 8
	EVADC_G11CH4			Analog input channel 4, group 11
	EVADC_G1CH0			Analog input channel 0, group 1
AB12	AN9	I	D / HighZ / VDDM	Analog Input 9
	EVADC_G11CH5			Analog input channel 5, group 11
	EVADC_G1CH1			Analog input channel 1, group 1
AE13	AN10	I	D / HighZ / VDDM	Analog Input 10
	EVADC_G11CH6			Analog input channel 6, group 11
	EVADC_G1CH2			Analog input channel 2, group 1
AD12	AN11	I	D / HighZ / VDDM	Analog Input 11
	EVADC_G11CH7			Analog input channel 7, group 11
	EVADC_G1CH3			Analog input channel 3, group 1
AA12	AN12	I	D / HighZ / VDDM	Analog Input 12
	EVADC_G1CH4			Analog input channel 4, group 1
	EDSADC_EDS0PB			Positive analog input channel 0, pin B
AD11	AN13	I	D / HighZ / VDDM	Analog Input 13
	EVADC_G1CH5			Analog input channel 5, group 1
	EDSADC_EDS0NB			Negative analog input channel 0, pin B
AB11	AN14	I	D / HighZ / VDDM	Analog Input 14
	EVADC_G1CH6			Analog input channel 6, group 1
	EDSADC_EDS3PB			Positive analog input channel 3, pin B
AA11	AN15	I	D / HighZ / VDDM	Analog Input 15
	EVADC_G1CH7			Analog input channel 7, group 1
	EDSADC_EDS3NB			Negative analog input channel 3, pin N
AD10	AN16	I	D / HighZ / VDDM	Analog Input 16
	EVADC_G2CH0			Analog input channel 0, group 2
	EVADC_FC0CH0			Analog input FC channel 0
AB10	AN17/P40.10	I	S / HighZ / VDDM	Analog Input 17
	SENT_SENT10A			Receive input channel 10
	EVADC_G2CH1			Analog input channel 1, group 2
	EVADC_FC1CH0			Analog input FC channel 1

Pin Definition and Functions: LFBGA-516 Package Variant Pin Configuration
Table 2-22 Analog Inputs (cont'd)

Ball	Symbol	Ctrl.	Buffer Type	Function
AD9	AN18/P40.11	I	S / HighZ / VDDM	Analog Input 18
	SENT_SENT11A			Receive input channel 11
	EVADC_G11CH8			Analog input channel 8, group 11
	EVADC_G2CH2			Analog input channel 2, group 2
AD8	AN19/P40.12	I	S / HighZ / VDDM	Analog Input 19
	SENT_SENT12A			Receive input channel 12
	EVADC_G11CH9			Analog input channel 9, group 11
	EVADC_G2CH3			Analog input channel 3, group 2
AE8	AN20	I	D / HighZ / VDDM	Analog Input 20
	EVADC_G2CH4			Analog input channel 4, group 2
	EDSADC_EDS2PA			Positive analog input channel 2, pin A
AE7	AN21	I	D / HighZ / VDDM	Analog Input 21
	EVADC_G2CH5			Analog input channel 5, group 2
	EDSADC_EDS2NA			Negative analog input channel 2, pin A
AA10	AN22	I	D / HighZ / VDDM	Analog Input 22
	EVADC_G2CH6			Analog input channel 6, group 2
Y10	AN23	I	D / HighZ / VDDM	Analog Input 23
	EVADC_G2CH7			Analog input channel 7, group 2
AD7	AN24/P40.0	I	S / HighZ / VDDM	Analog Input 24
	SENT_SENT0A			Receive input channel 0
	EVADC_G3CH0			Analog input channel 0, group 3
	CCU60_CCPOS0D			Hall capture input 0
	EDSADC_EDS2PB			Positive analog input channel 2, pin B
AD6	AN25/P40.1	I	S / HighZ / VDDM	Analog Input 25
	SENT_SENT1A			Receive input channel 1
	EVADC_G3CH1			Analog input channel 1, group 3
	CCU60_CCPOS1B			Hall capture input 1
	EDSADC_EDS2NB			Negative analog input channel 2, pin B
AC7	AN26/P40.2	I	S / HighZ / VDDM	Analog Input 26
	SENT_SENT2A			Receive input channel 2
	EVADC_G3CH2			Analog input channel 2, group 3
	CCU60_CCPOS1D			Hall capture input 1
	EVADC_G11CH10			Analog input channel 10, group 11
AC6	AN27/P40.3	I	S / HighZ / VDDM	Analog Input 27
	SENT_SENT3A			Receive input channel 3
	EVADC_G3CH3			Analog input channel 3, group 3
	CCU60_CCPOS2B			Hall capture input 2
	EVADC_G11CH11			Analog input channel 11, group 11

Pin Definition and Functions: LFBGA-516 Package Variant Pin Configuration

Table 2-22 Analog Inputs (cont'd)

Ball	Symbol	Ctrl.	Buffer Type	Function
AB7	AN28/P40.13	I	S / HighZ / VDDM	Analog Input 28
	SENT_SENT13A			Receive input channel 13
	EVADC_G3CH4			Analog input channel 4, group 3
	EVADC_G4CH4			Analog input channel 4, group 4
AB6	AN29/P40.14	I	S / HighZ / VDDM	Analog Input 29
	SENT_SENT14A			Receive input channel 14
	EVADC_G3CH5			Analog input channel 5, group 3
	EVADC_G4CH5			Analog input channel 5, group 4
AA9	AN30	I	D / HighZ / VDDM	Analog Input 30
	EVADC_G3CH6			Analog input channel 6, group 3
	EVADC_G4CH6			Analog input channel 6, group 4
Y9	AN31	I	D / HighZ / VDDM	Analog Input 31
	EVADC_G3CH7			Analog input channel 7, group 3
	EVADC_G4CH7			Analog input channel 7, group 4
W9	AN32/P40.4	I	S / HighZ / VDDM	Analog Input 32
	SENT_SENT4A			Receive input channel 4
	EVADC_G8CH0			Analog input channel 0, group 8
	CCU60_CCPOS2D			Hall capture input 2
	EVADC_G11CH12			Analog input channel 12, group 11
Y6	AN33/P40.5	I	S / HighZ / VDDM	Analog Input 33
	SENT_SENT5A			Receive input channel 5
	EVADC_G8CH1			Analog input channel 1, group 8
	CCU61_CCPOS0D			Hall capture input 0
	EVADC_G11CH13			Analog input channel 13, group 11
W10	AN34	I	D / HighZ / VDDM	Analog Input 34
	EVADC_G8CH2			Analog input channel 2, group 8
	EVADC_G11CH14			Analog input channel 14, group 11
Y7	AN35	I	D / HighZ / VDDM	Analog Input 35
	EVADC_G8CH3			Analog input channel 3, group 8
	EVADC_G11CH15			Analog input channel 15, group 11
V9	AN36/P40.6	I	S / HighZ / VDDM	Analog Input 36
	SENT_SENT6A			Receive input channel 6
	EVADC_G8CH4			Analog input channel 4, group 8
	CCU61_CCPOS1B			Hall capture input 1
	EDSADC_EDS1PA			Positive analog input channel 1, pin A

Pin Definition and Functions: LFBGA-516 Package Variant Pin Configuration

Table 2-22 Analog Inputs (cont'd)

Ball	Symbol	Ctrl.	Buffer Type	Function
W7	AN37/P40.7	I	S / HighZ / VDDM	Analog Input 37
	SENT_SENT7A			Receive input channel 7
	EVADC_G8CH5			Analog input channel 5, group 8
	CCU61_CCPOS1D			Hall capture input 1
	EDSADC_EDS1NA			Negative analog input channel 1, pin A
V10	AN38/P40.8	I	S / HighZ / VDDM	Analog Input 38
	SENT_SENT8A			Receive input channel 8
	EVADC_G8CH6			Analog input channel 6, group 8
	CCU61_CCPOS2B			Hall capture input 2
	EDSADC_EDS1PB			Positive analog input channel 1, pin B
W6	AN39/P40.9	I	S / HighZ / VDDM	Analog Input 39
	SENT_SENT9A			Receive input channel 9
	EVADC_G8CH7			Analog input channel 7, group 8
	CCU61_CCPOS2D			Hall capture input 2
	EDSADC_EDS1NB			Negative analog input channel 1, pin B
U10	AN40	I	D / HighZ / VDDM	Analog Input 40
	EVADC_G8CH8			Analog input channel 8, group 8
	EVADC_G4CH0			Analog input channel 0, group 4
U9	AN41	I	D / HighZ / VDDM	Analog Input 41
	EVADC_G8CH9			Analog input channel 9, group 8
	EVADC_G4CH1			Analog input channel 1, group 4
T10	AN42	I	D / HighZ / VDDM	Analog Input 42
	EVADC_G8CH10			Analog input channel 10, group 8
	EVADC_G4CH2			Analog input channel 2, group 4
T9	AN43	I	D / HighZ / VDDM	Analog Input 43
	EVADC_G8CH11			Analog input channel 11, group 8
	EVADC_G4CH3			Analog input channel 3, group 4
V6	AN44	I	D / HighZ / VDDM	Analog Input 44
	EVADC_G8CH12			Analog input channel 12, group 8
	EDSADC_EDS1PC			Positive analog input channel 1, pin C
V7	AN45	I	D / HighZ / VDDM	Analog Input 45
	EVADC_G8CH13			Analog input channel 13, group 8
	EDSADC_EDS1NC			Negative analog input channel 1, pin C
U6	AN46	I	D / HighZ / VDDM	Analog Input 46
	EVADC_G8CH14			Analog input channel 14, group 8
	EDSADC_EDS1PD			Positive analog input channel 1, pin D

Pin Definition and Functions: LFBGA-516 Package Variant Pin Configuration

Table 2-22 Analog Inputs (cont'd)

Ball	Symbol	Ctrl.	Buffer Type	Function
U7	AN47	I	D / HighZ / VDDM	Analog Input 47
	EVADC_G8CH15			Analog input channel 15, group 8
	EDSADC_EDS1ND			Negative analog input channel 1, pin D
AK7	AN48	I	D / HighZ / VDDM	Analog Input 48
	EVADC_G5CH0			Analog input channel 0, group 5
AJ7	AN49	I	D / HighZ / VDDM	Analog Input 49
	EVADC_G5CH1			Analog input channel 1, group 5
AJ6	AN50	I	D / HighZ / VDDM	Analog Input 50
	EVADC_G5CH2			Analog input channel 2, group 5
	EDSADC_EDS9PA			Positive analog input channel 9, pin A
AK6	AN51	I	D / HighZ / VDDM	Analog Input 51
	EVADC_G5CH3			Analog input channel 3, group 5
	EDSADC_EDS9NA			Negative analog input channel 9, pin A
AJ5	AN52	I	D / HighZ / VDDM	Analog Input 52
	EVADC_G5CH4			Analog input channel 4, group 5
	EDSADC_EDS6PA			Positive analog input channel 6, pin A
AK5	AN53	I	D / HighZ / VDDM	Analog Input 53
	EVADC_G5CH5			Analog input channel 5, group 5
	EDSADC_EDS6NA			Negative analog input channel 6, pin A
AJ4	AN54/P41.4	I	S / HighZ / VDDM	Analog Input 54
	SENT_SENT20A			Receive input channel 20
	EVADC_G5CH6			Analog input channel 6, group 5
	EDSADC_EDS6PB			Positive analog input channel 6, pin B
AK4	AN55/P41.5	I	S / HighZ / VDDM	Analog Input 55
	SENT_SENT21A			Receive input channel 21
	EVADC_G5CH7			Analog input channel 7, group 5
	EDSADC_EDS6NB			Negative analog input channel 6, pin B
AF1	AN56	I	D / HighZ / VDDM	Analog Input 56
	EVADC_G6CH0			Analog input channel 0, group 6
AF2	AN57	I	D / HighZ / VDDM	Analog Input 57
	EVADC_G6CH1			Analog input channel 1, group 6
AE2	AN58	I	D / HighZ / VDDM	Analog Input 58
	EVADC_G6CH2			Analog input channel 2, group 6
	EDSADC_EDS10PA			Positive analog input channel 10, pin A
AE1	AN59	I	D / HighZ / VDDM	Analog Input 59
	EVADC_G6CH3			Analog input channel 3, group 6
	EDSADC_EDS10NA			Negative analog input channel 10, pin A

Pin Definition and Functions: LFBGA-516 Package Variant Pin Configuration

Table 2-22 Analog Inputs (cont'd)

Ball	Symbol	Ctrl.	Buffer Type	Function
AD1	AN60	I	D / HighZ / VDDM	Analog Input 60
	EVADC_G6CH4			Analog input channel 4, group 6
	EDSADC_EDS7PA			Positive analog input channel 7, pin A
AD2	AN61	I	D / HighZ / VDDM	Analog Input 61
	EVADC_G6CH5			Analog input channel 5, group 6
	EDSADC_EDS7NA			Negative analog input channel 7, pin A
AC2	AN62/P41.6	I	S / HighZ / VDDM	Analog Input 62
	SENT_SENT22A			Receive input channel 22
	EVADC_G6CH6			Analog input channel 6, group 6
	EDSADC_EDS7PB			Positive analog input channel 7, pin B
AC1	AN63/P41.7	I	S / HighZ / VDDM	Analog Input 63
	SENT_SENT23A			Receive input channel 23
	EVADC_G6CH7			Analog input channel 7, group 6
	EDSADC_EDS7NB			Negative analog input channel 7, pin B
AB2	AN64/P41.8	I	S / HighZ / VDDM	Analog Input 64
	SENT_SENT24A			Receive input channel 24
	EVADC_G7CH0			Analog input channel 0, group 7
AB1	AN65	I	D / HighZ / VDDM	Analog Input 65
	EVADC_G7CH1			Analog input channel 1, group 7
AA2	AN66	I	D / HighZ / VDDM	Analog Input 66
	EVADC_G7CH2			Analog input channel 2, group 7
	EDSADC_EDS11PA			Positive analog input channel 11, pin A
AA1	AN67/P40.15	I	S / HighZ / VDDM	Analog Input 67
	SENT_SENT15A			Receive input channel 15
	EVADC_G7CH3			Analog input channel 3, group 7
	EDSADC_EDS11NA			Negative analog input channel 11, pin A
Y1	AN68/P41.0	I	S / HighZ / VDDM	Analog Input 68
	SENT_SENT16A			Receive input channel 16
	EVADC_G7CH4			Analog input channel 4, group 7
	EDSADC_EDS8PA			Positive analog input channel 8, pin A
Y2	AN69/P41.1	I	S / HighZ / VDDM	Analog Input 69
	SENT_SENT17A			Receive input channel 17
	EVADC_G7CH5			Analog input channel 5, group 7
	EDSADC_EDS8NA			Negative analog input channel 8, pin A

Pin Definition and Functions: LFBGA-516 Package Variant Pin Configuration

Table 2-22 Analog Inputs (cont'd)

Ball	Symbol	Ctrl.	Buffer Type	Function
W1	AN70/P41.2	I	S / HighZ / VDDM	Analog Input 70
	SENT_SENT18A			Receive input channel 18
	EVADC_G7CH6			Analog input channel 6, group 7
	EDSADC_EDS12PA			Positive analog input channel 12, pin A
	EDSADC_EDS9PB			Positive analog input channel 9, pin B
W2	AN71/P41.3	I	S / HighZ / VDDM	Analog Input 71
	SENT_SENT19A			Receive input channel 19
	EVADC_G7CH7			Analog input channel 7, group 7
	EDSADC_EDS12NA			Negative analog input channel 12, pin A
	EDSADC_EDS9NB			Negative analog input channel 9, pin B
V1	AN72	I	D / HighZ / VDDM	Analog Input 72
	EDSADC_EDS13PA			Positive analog input channel 13, pin A
V2	AN73	I	D / HighZ / VDDM	Analog Input 73
	EDSADC_EDS13NA			Negative analog input channel 13, pin A

Note: Port Pins P32.0 and P32.1 are bidirectional pads and are having the following two functionalities implemented:

1. In case the pins are used as standard GPIOs the functions defined in the pin configuration tables of P32.0 and P32.1 are available.
2. In case the pins are used as pre-drivers for external MOSFETs (internal DCDC usecase) P32.0 and P32.1 act as analog IOs named VGATE1N and VGATE1P.

Table 2-23 System I/O

Ball	Symbol	Ctrl.	Buffer Type	Function
T12	AGBTCLKN (VSS)	I	AGBT_C LK / VEXT	Input PAD (negative pole) for the external 100 MHz differential clock. AGBT Input; (TC3xx devices without AGBT: VSS)
R12	AGBTCLKP (VSS)	I	AGBT_C LK / VEXT	Input PAD (positive pole) for the external 100 MHz differential clock. AGBT Input; (TC3xx devices without AGBT: VSS)
W15	AGBTTXN (VSS)	O	AGBT_T X / VEXT	Off-chip driver output PAD of the 2.5Gbps transmitter, negative pole AGBT Output; (TC3xx devices without AGBT: VSS)
W16	AGBTTXP (VSS)	O	AGBT_T X / VEXT	Off-chip driver output PAD of the 2.5Gbps transmitter, positive pole AGBT Output; (TC3xx devices without AGBT: VSS)
T19	AGBTERR (VSS)	I	FAST / PD / VEXT	Input PAD for CRC error from FPGA. AGBT Input; (TC3xx devices without AGBT: VSS)

Pin Definition and Functions: LFBGA-516 Package Variant Pin Configuration

Table 2-23 System I/O (cont'd)

Ball	Symbol	Ctrl.	Buffer Type	Function
AD22	VGATE1P	O	—	DCDC P ch. MOSFET gate driver output P32.1 / External Pass Device gate control for EVRC
AE22	VGATE1N	O	—	DCDC N ch. MOSFET gate driver output P32.0 / SMPS mode: analog output. External Pass Device gate control for EVRC
U25	XTAL1	I	XTAL / VEXT	XTAL pad1 XTAL1. Main Oscillator/PLL/Clock Generator Input.
U24	XTAL2	O	XTAL / VEXT	XTAL pad2 XTAL2. Main Oscillator/PLL/Clock Generator OUTPUT
R19	DAPE0	I	FAST / PD2 / VEXT	DAPE: DAPE0 Clock Input DAPE: DAPE0 clock input (PD Devices: NC)
T24	$\overline{\text{TRST}}$	I	FAST / PU2 / VEXT	JTAG Module Reset/Enable Input
	DAPE0	I	PU2 / VEXT	DAPE: DAPE0 Clock Input
R21	TMS	I	FAST / PD2 / VEXT	JTAG Module State Machine Control Input
	DAP1	I/O	PD2 / VEXT	DAP: DAP1 Data I/O
P21	TCK	I	FAST / PD2 / VEXT	JTAG Module Clock Input
	DAP0	I	PD2 / VEXT	DAP: DAP0 Clock Input
M16	DAPE1	I/O	FAST / PD2 / VEXT	DAPE: DAPE1 Data I/O DAPE: DAPE1 Data I/O (PD Devices: VSS)
M15	DAPE2	I/O	FAST / PD2 / VEXT	DAPE: DAPE2 Data I/O DAPE: DAPE2 Data I/O (PD Devices: VSS)
M21	$\overline{\text{ESR1}}$	I/O	FAST / PU1 / VEXT	ESR1 Port Pin input - can be used to trigger a reset or an NMI ESR1: External System Request Reset 1. Default NMI function. See also SCU chapter for details. Default after power-on can be different. See also SCU chapter 'Reset Control Unit' and SCU_IOCRR register description. PMS_EVRWUP: EVR Wakeup Pin
	PMS_ESR1WKP	I		ESR1 pin input

Pin Definition and Functions: LFBGA-516 Package Variant Pin Configuration

Table 2-23 System I/O (cont'd)

Ball	Symbol	Ctrl.	Buffer Type	Function
L21	$\overline{\text{ESR0}}$	I/O	FAST / OD / VEXT	ESR0 Port Pin input - can be used to trigger a reset or an NMI ESR0: External System Request Reset 0. Default configuration during and after reset is open-drain driver. The driver drives low during power-on reset. This is valid additionally after deactivation of PORST_N until the internal reset phase has finished. See also SCU chapter for details. Default after power-on can be different. See also SCU chapter 'Reset Control Unit' and SCU_IOCRR register description. PMS_EVRWUP: EVR Wakeup Pin
	PMS_ESR0WKP	I		ESR0 pin input
M22	$\overline{\text{PORST}}$	I/O	PORST / PD / VEXT	PORST pin Power On Reset Input. Additional strong PD in case of power fail.

Table 2-24 Supply

Ball	Symbol	Ctrl.	Buffer Type	Function
N19, V19, M18, W18, W13, V12, J21, K20	VDD	I	—	Digital Core Power Supply (1.25V)
AJ30, AH29, AD25, AC24, G8, F7, B3, A2	VEXT	I	—	External Power Supply (5V / 3.3V)
J10	VFLEX	I	—	Digital Power Supply for Flex Port Pads (5V / 3.3V)
AE10, AJ9, AK9	VDDM	I	—	ADC Analog Power Supply (5V / 3.3V)
A29, B28, F24, G23	VDDP3	I	—	Flash Power Supply (3.3V)
AK30, AJ29, AE25, AD24, AB22, AA21, K10, J9, G7, B2, A30, B30, B29, F25, G24, J22, K21	VSS	I	—	Digital Ground
AE9, AJ8, AK8	VSSM	I	—	Analog Ground for VDDM

Pin Definition and Functions: LFBGA-516 Package Variant Pin Configuration

Table 2-24 Supply (cont'd)

Ball	Symbol	Ctrl.	Buffer Type	Function
P19, U19, P18, R18, T18, U18, M17, N17, R17, T17, V17, W17, N16, P16, R16, T16, U16, V16, N15, P15, R15, T15, U15, V15, M14, N14, R14, T14, V14, W14, P13, R13, T13, U13, P12, U12	VSS	I	—	Digital Ground
T25	VSS	I	—	Oscillator Ground, VSS(OSC)
AE11	VAREF1	I	—	Positive Analog Reference Voltage 1
AE12	VAGND1	I	—	Negative Analog Reference Voltage 1
AA6	VAREF2	I	—	Positive Analog Reference Voltage 2
AA7	VAGND2	I	—	Negative Analog Reference Voltage 2
C30, D30, E30, F30, G30, W30, C29, D29, E29, F29, G29, A28, A27, B27, A26, B26, A25, A21, AJ20, B21, B20, A17, B17, A10, B10, A9, B9, A8, A4, B4, A3, AJ3, AK3, C2, D2, E2, H2, R2, AH2, AJ2, AK2, B1, C1, D1, E1, H1, J1, R1, T1, AH1, AJ1, B6, B14, B25	NC	I	—	Not connected. These pins are reserved for future extensions and shall not be connected externally

Pin Definition and Functions: LFBGA-516 Package Variant Pin Configuration

Table 2-24 Supply (cont'd)

Ball	Symbol	Ctrl.	Buffer Type	Function
AB9, F6, AE6, A1, AK1, V30, V29	NC1	I	—	Not connected. These pins are not connected on package level and will not be used for future extensions
H30, H29, AJ10, AK10	VSS	I	—	Digital Ground for EBU
N12, M13	VDDSB (VDD)	I	—	Devices with integrated EMEM: EMEM SRAM Standby Power Supply, VDDSB (1.25V); Devices without integrated EMEM: VDD (1.25V)
J29, J30, AH30, AK29, AK20, AJ11, AK11	VEBU	I	—	Digital Power Supply for EBU (5V / 3.3V)
AA16	VEVRSB	I	—	Standby Power Supply (5V / 3.3V) for the Standby SRAM
V24	VDD	I	—	Digital Power Supply for Oscillator (1.25V), VDD(OSC)
V25	VEXT	I	—	Digital Power Supply for Oscillator (shall be supplied with same level as used for VEXT), VEXT(OSC)
AG1	VAREF3	I	—	Positive Analog Reference Voltage 3
AG2	VAGND3	I	—	Negative Analog Reference Voltage 3

2.2 LFBGA-292 Package Variant Pin Configuration

Table 2-25 Port 00 Functions

Ball	Symbol	Ctrl.	Buffer Type	Function
G1	P00.0	I	FAST / PU1 / VEXT / ES	General-purpose input
	GTM_TIM5_IN4_10			Mux input channel 4 of TIM module 5
	GTM_TIM3_IN0_1			Mux input channel 0 of TIM module 3
	GTM_TIM2_IN0_1			Mux input channel 0 of TIM module 2
	CCU61_CTRAPA			Trap input capture
	CCU60_T12HRE			External timer start 12
	MSC0_INJ0			Injection signal from port
	GETH_MDIOA			MDIO Input
	P00.0			O0
	GTM_TOUT9	O1	GTM muxed output	
	IOM_REF0_9		Reference input 0	
	ASCLIN3_ASCLK	O2	Shift clock output	
	ASCLIN3_ATX	O3	Transmit output	
	IOM_MON2_15		Monitor input 2	
	IOM_REF2_15		Reference input 2	
	—	O4	Reserved	
	CAN10_TXD	O5	CAN transmit output node 0	
	—	O6	Reserved	
	CCU60_COUT63	O7	T13 PWM channel 63	
	IOM_MON1_6		Monitor input 1	
IOM_REF1_0		Reference input 1		
GETH_MDIO	O	MDIO Output		

Pin Definition and Functions: LFBGA-292 Package Variant Pin Configuration

Table 2-25 Port 00 Functions (cont'd)

Ball	Symbol	Ctrl.	Buffer Type	Function
G2	P00.1	I	SLOW / PU1 / VEXT / ES	General-purpose input
	GTM_TIM5_IN5_11			Mux input channel 5 of TIM module 5
	GTM_TIM3_IN1_1			Mux input channel 1 of TIM module 3
	GTM_TIM2_IN1_1			Mux input channel 1 of TIM module 2
	CCU60_CC60INB			T12 capture input 60
	ASCLIN3_ARXE			Receive input
	EDSADC_DSCIN5A			Modulator clock input, channel 5
	CAN10_RXDA			CAN receive input node 0
	PSI5_RX0A			RXD inputs (receive data) channel 0
	CCU61_CC60INA			T12 capture input 60
	SENT_SENT0B			Receive input channel 0
	EDSADC_DSCIN7B			Modulator clock input, channel 7
	EVADC_G9CH11			AI
	EDSADC_EDS5NA		Negative analog input channel 5, pin A	
	P00.1	O0	General-purpose output	
	GTM_TOUT10	O1	GTM muxed output	
	IOM_REF0_10		Reference input 0	
	ASCLIN3_ATX	O2	Transmit output	
	IOM_MON2_15		Monitor input 2	
	IOM_REF2_15		Reference input 2	
	—	O3	Reserved	
	EDSADC_DSCOUT5	O4	Modulator clock output	
	EDSADC_DSCOUT7	O5	Modulator clock output	
	SENT_SPC0	O6	Transmit output	
CCU61_CC60	O7	T12 PWM channel 60		
IOM_MON1_8		Monitor input 1		
IOM_REF1_13		Reference input 1		

Pin Definition and Functions: LFBGA-292 Package Variant Pin Configuration

Table 2-25 Port 00 Functions (cont'd)

Ball	Symbol	Ctrl.	Buffer Type	Function
H1	P00.2	I	SLOW / PU1 / VEXT / ES1	General-purpose input
	GTM_TIM5_IN6_11			Mux input channel 6 of TIM module 5
	GTM_TIM3_IN1_2			Mux input channel 1 of TIM module 3
	GTM_TIM2_IN1_2			Mux input channel 1 of TIM module 2
	EDSADC_DSDIN7B			Digital datastream input, channel 7
	EDSADC_DSDIN5A			Digital datastream input, channel 5
	SENT_SENT1B			Receive input channel 1
	EVADC_G9CH10	AI		Analog input channel 10, group 9
	EDSADC_EDS5PA			Positive analog input channel 5, pin A
	P00.2	O0		General-purpose output
	GTM_TOUT11	O1		GTM muxed output
	IOM_REF0_11			Reference input 0
	ASCLIN3_ASCLK	O2		Shift clock output
	CAN21_TXD	O3		CAN transmit output node 1
	PSI5_TX0	O4		TXD outputs (send data)
	IOM_MON1_14			Monitor input 1
	IOM_REF1_14			Reference input 1
	CAN03_TXD	O5		CAN transmit output node 3
	IOM_MON2_8			Monitor input 2
	IOM_REF2_8			Reference input 2
	QSPI3_SLSO4	O6		Master slave select output
	CCU61_COUT60	O7		T12 PWM channel 60
	IOM_MON1_11			Monitor input 1
IOM_REF1_10	Reference input 1			

Pin Definition and Functions: LFBGA-292 Package Variant Pin Configuration

Table 2-25 Port 00 Functions (cont'd)

Ball	Symbol	Ctrl.	Buffer Type	Function
H2	P00.3	I	SLOW / PU1 / VEXT / ES1	General-purpose input
	GTM_TIM5_IN7_10			Mux input channel 7 of TIM module 5
	GTM_TIM3_IN2_1			Mux input channel 2 of TIM module 3
	GTM_TIM2_IN2_1			Mux input channel 2 of TIM module 2
	CCU60_CC61INB			T12 capture input 61
	EDSADC_DSCIN3A			Modulator clock input, channel 3
	EDSADC_ITR5F			Trigger/Gate input, channel 5
	PSI5_RX1A			RXD inputs (receive data) channel 1
	CAN03_RXDA			CAN receive input node 3
	CAN21_RXDA			CAN receive input node 1
	PSI5S_RXA			RX data input
	SENT_SENT2B			Receive input channel 2
	CCU61_CC61INA			T12 capture input 61
	EVADC_G9CH9			AI
	EDSADC_EDS5NB		Negative analog input channel 5, pin B	
	P00.3	O0	General-purpose output	
	GTM_TOUT12	O1	GTM muxed output	
	IOM_REF0_12		Reference input 0	
	ASCLIN3_ASLSO	O2	Slave select signal output	
	—	O3	Reserved	
	EDSADC_DSCOUT3	O4	Modulator clock output	
	—	O5	Reserved	
	SENT_SPC2	O6	Transmit output	
	CCU61_CC61	O7	T12 PWM channel 61	
	IOM_MON1_9		Monitor input 1	
	IOM_REF1_12		Reference input 1	

Pin Definition and Functions: LFBGA-292 Package Variant Pin Configuration

Table 2-25 Port 00 Functions (cont'd)

Ball	Symbol	Ctrl.	Buffer Type	Function	
J1	P00.4	I	SLOW / PU1 / VEXT / ES1	General-purpose input	
	GTM_TIM6_IN4_1			Mux input channel 4 of TIM module 6	
	GTM_TIM3_IN3_1			Mux input channel 3 of TIM module 3	
	GTM_TIM2_IN3_1			Mux input channel 3 of TIM module 2	
	SCU_E_REQ2_2			ERU Channel 2 inputs 0 to 5 (0 is the LSB and 5 is the MSB)	
	SENT_SENT3B			Receive input channel 3	
	EDSADC_DSDIN3A			Digital datastream input, channel 3	
	EDSADC_SGNA			Carrier sign signal input	
	ASCLIN10_ARXA			Receive input	
	GTM_DTMA5_0			CDTM5_DTM4	
	GTM_DTMT3_0			CDTM3_DTM0	
	EVADC_G9CH8			AI	Analog input channel 8, group 9
	EDSADC_EDS5PB				Positive analog input channel 5, pin B
	P00.4	O0	General-purpose output		
	GTM_TOUT13	O1	GTM muxed output		
	IOM_REF0_13		Reference input 0		
	PSI5S_TX	O2	TX data output		
	CAN11_TXD	O3	CAN transmit output node 1		
	PSI5_TX1	O4	TXD outputs (send data)		
	IOM_MON1_15		Monitor input 1		
	EVADC_FC4BFLOUT	O5	Boundary flag output, FC channel 4		
	SENT_SPC3	O6	Transmit output		
	CCU61_COUT61	O7	T12 PWM channel 61		
IOM_MON1_12		Monitor input 1			
IOM_REF1_9		Reference input 1			

Pin Definition and Functions: LFBGA-292 Package Variant Pin Configuration

Table 2-25 Port 00 Functions (cont'd)

Ball	Symbol	Ctrl.	Buffer Type	Function
J2	P00.5	I	SLOW / PU1 / VEXT / ES1	General-purpose input
	GTM_TIM3_IN4_1			Mux input channel 4 of TIM module 3
	GTM_TIM3_IN0_11			Mux input channel 0 of TIM module 3
	GTM_TIM2_IN4_1			Mux input channel 4 of TIM module 2
	CCU60_CC62INB			T12 capture input 62
	EDSADC_DSCIN2A			Modulator clock input, channel 2
	PSI5_RX2A			RXD inputs (receive data) channel 2
	CCU61_CC62INA			T12 capture input 62
	SENT_SENT4B			Receive input channel 4
	CAN11_RXDB			CAN receive input node 1
	GTM_DTMT1_1			CDTM1_DTM0
	GTM_DTMT4_2			CDTM4_DTM0
	EVADC_G9CH7			AI
	P00.5	O0	General-purpose output	
	GTM_TOUT14	O1	GTM muxed output	
	IOM_REF0_14		Reference input 0	
	EDSADC_CGPWMN	O2	Negative carrier generator output	
	QSPI3_SLSO3	O3	Master slave select output	
	EDSADC_DSCOUT2	O4	Modulator clock output	
	EVADC_FC0BFLOUT	O5	Boundary flag output, FC channel 0	
	SENT_SPC4	O6	Transmit output	
CCU61_CC62	O7	T12 PWM channel 62		
IOM_MON1_10		Monitor input 1		
IOM_REF1_11		Reference input 1		

Pin Definition and Functions: LFBGA-292 Package Variant Pin Configuration

Table 2-25 Port 00 Functions (cont'd)

Ball	Symbol	Ctrl.	Buffer Type	Function
J4	P00.6	I	SLOW / PU1 / VEXT / ES1	General-purpose input
	GTM_TIM3_IN5_1			Mux input channel 5 of TIM module 3
	GTM_TIM3_IN1_14			Mux input channel 1 of TIM module 3
	GTM_TIM2_IN5_1			Mux input channel 5 of TIM module 2
	EDSADC_ITR4F			Trigger/Gate input, channel 4
	EDSADC_DSDIN2A			Digital datastream input, channel 2
	SENT_SENT5B			Receive input channel 5
	ASCLIN5_ARXA			Receive input
	GTM_DTMA6_0			CDTM6_DTM4
	GTM_DTMT3_1			CDTM3_DTM0
	EVADC_G9CH6	AI	Analog input channel 6, group 9	
	P00.6	O0	General-purpose output	
	GTM_TOUT15	O1	GTM muxed output	
	IOM_REF0_15		Reference input 0	
	EDSADC_CGPWMP	O2	Positive carrier generator output	
	EVADC_FC5BFLOUT	O3	Boundary flag output, FC channel 5	
	PSI5_TX2	O4	TXD outputs (send data)	
	IOM_REF1_15		Reference input 1	
	EVADC_EMUX10	O5	Control of external analog multiplexer interface 1	
	SENT_SPC5	O6	Transmit output	
CCU61_COUT62	O7	T12 PWM channel 62		
IOM_MON1_13		Monitor input 1		
IOM_REF1_8		Reference input 1		

Pin Definition and Functions: LFBGA-292 Package Variant Pin Configuration

Table 2-25 Port 00 Functions (cont'd)

Ball	Symbol	Ctrl.	Buffer Type	Function
K1	P00.7	I	SLOW / PU1 / VEXT / ES1	General-purpose input
	GTM_TIM3_IN6_1			Mux input channel 6 of TIM module 3
	GTM_TIM3_IN2_11			Mux input channel 2 of TIM module 3
	GTM_TIM2_IN6_1			Mux input channel 6 of TIM module 2
	CCU61_CC60INC			T12 capture input 60
	SENT_SENT6B			Receive input channel 6
	EDSADC_DSCIN4A			Modulator clock input, channel 4
	GPT120_T2INA			Trigger/gate input of timer T2
	CCU61_CCPOS0A			Hall capture input 0
	CCU60_T12HRB			External timer start 12
	GTM_DTMT0_2			CDTM0_DTM0
	EVADC_G9CH5			AI
	EDSADC_EDS4NA		Negative analog input channel 4, pin A	
	P00.7	O0	General-purpose output	
	GTM_TOUT16	O1	GTM muxed output	
	ASCLIN5_ATX	O2	Transmit output	
	EVADC_FC2BFLOUT	O3	Boundary flag output, FC channel 2	
	EDSADC_DSCOUT4	O4	Modulator clock output	
	EVADC_EMUX11	O5	Control of external analog multiplexer interface 1	
	SENT_SPC6	O6	Transmit output	
CCU61_CC60	O7	T12 PWM channel 60		
IOM_MON1_8		Monitor input 1		
IOM_REF1_13		Reference input 1		

Pin Definition and Functions: LFBGA-292 Package Variant Pin Configuration

Table 2-25 Port 00 Functions (cont'd)

Ball	Symbol	Ctrl.	Buffer Type	Function
K4	P00.8	I	SLOW / PU1 / VEXT / ES1	General-purpose input
	GTM_TIM3_IN7_1			Mux input channel 7 of TIM module 3
	GTM_TIM3_IN3_11			Mux input channel 3 of TIM module 3
	GTM_TIM2_IN7_1			Mux input channel 7 of TIM module 2
	CCU61_CC61INC			T12 capture input 61
	SENT_SENT7B			Receive input channel 7
	EDSADC_DSDIN4A			Digital datastream input, channel 4
	GPT120_T2EUDA			Count direction control input of timer T2
	CCU61_CCPOS1A			Hall capture input 1
	CCU60_T13HRB			External timer start 13
	ASCLIN10_ARXB			Receive input
	EVADC_G9CH4			AI
	EDSADC_EDS4PA		Positive analog input channel 4, pin A	
	P00.8	O0	General-purpose output	
	GTM_TOUT17	O1	GTM muxed output	
	QSPI3_SLSO6	O2	Master slave select output	
	ASCLIN10_ATX	O3	Transmit output	
	—	O4	Reserved	
	EVADC_EMUX12	O5	Control of external analog multiplexer interface 1	
	SENT_SPC7	O6	Transmit output	
CCU61_CC61	O7	T12 PWM channel 61		
IOM_MON1_9		Monitor input 1		
IOM_REF1_12		Reference input 1		

Pin Definition and Functions: LFBGA-292 Package Variant Pin Configuration

Table 2-25 Port 00 Functions (cont'd)

Ball	Symbol	Ctrl.	Buffer Type	Function
K2	P00.9	I	SLOW / PU1 / VEXT / ES1	General-purpose input
	GTM_TIM4_IN0_7			Mux input channel 0 of TIM module 4
	GTM_TIM1_IN0_1			Mux input channel 0 of TIM module 1
	GTM_TIM0_IN0_1			Mux input channel 0 of TIM module 0
	CCU61_CC62INC			T12 capture input 62
	SENT_SENT8B			Receive input channel 8
	CCU61_CCPOS2A			Hall capture input 2
	EDSADC_DSCIN1A			Modulator clock input, channel 1
	EDSADC_ITR3F			Trigger/Gate input, channel 3
	GPT120_T4EUDA			Count direction control input of timer T4
	CCU60_T13HRC			External timer start 13
	CCU60_T12HRC			External timer start 12
	EVADC_G9CH3			AI
	EDSADC_EDS4NB		Negative analog input channel 4, pin B	
	P00.9	O0	General-purpose output	
	GTM_TOUT18	O1	GTM muxed output	
	QSPI3_SLSO7	O2	Master slave select output	
	ASCLIN3_ARTS	O3	Ready to send output	
	EDSADC_DSCOUT1	O4	Modulator clock output	
	ASCLIN4_ATX	O5	Transmit output	
	SENT_SPC8	O6	Transmit output	
CCU61_CC62	O7	T12 PWM channel 62		
IOM_MON1_10		Monitor input 1		
IOM_REF1_11		Reference input 1		

Pin Definition and Functions: LFBGA-292 Package Variant Pin Configuration

Table 2-25 Port 00 Functions (cont'd)

Ball	Symbol	Ctrl.	Buffer Type	Function
K5	P00.10	I	SLOW / PU1 / VEXT / ES1	General-purpose input
	GTM_TIM4_IN1_11			Mux input channel 1 of TIM module 4
	GTM_TIM1_IN1_1			Mux input channel 1 of TIM module 1
	GTM_TIM0_IN1_1			Mux input channel 1 of TIM module 0
	SENT_SENT9B			Receive input channel 9
	EDSADC_DSDIN1A			Digital datastream input, channel 1
	EVADC_G9CH2			Analog input channel 2, group 9
	EDSADC_EDS4PB	AI		Positive analog input channel 4, pin B
	P00.10			O0
	GTM_TOUT19	O1	GTM muxed output	
	ASCLIN4_ASCLK	O2	Shift clock output	
	—	O3	Reserved	
	—	O4	Reserved	
	—	O5	Reserved	
	SENT_SPC9	O6	Transmit output	
	CCU61_COUT63	O7		T13 PWM channel 63
	IOM_MON1_7			Monitor input 1
IOM_REF1_7	Reference input 1			
L1	P00.11	I	SLOW / PU1 / VEXT / ES1	General-purpose input
	GTM_TIM4_IN2_11			Mux input channel 2 of TIM module 4
	GTM_TIM1_IN2_1			Mux input channel 2 of TIM module 1
	GTM_TIM0_IN2_1			Mux input channel 2 of TIM module 0
	CCU60_CTRAPA			Trap input capture
	EDSADC_DSCIN0A			Modulator clock input, channel 0
	CCU61_T12HRE			External timer start 12
	SENT_SENT10B	Receive input channel 10		
	EVADC_G9CH1	AI		Analog input channel 1, group 9
	EVADC_FC3CH0			Analog input FC channel 3
	P00.11	O0	General-purpose output	
	GTM_TOUT20	O1	GTM muxed output	
	ASCLIN4_ASLSO	O2	Slave select signal output	
	—	O3	Reserved	
	EDSADC_DSCOUT0	O4	Modulator clock output	
	—	O5	Reserved	
	—	O6	Reserved	
—	O7	Reserved		

Pin Definition and Functions: LFBGA-292 Package Variant Pin Configuration

Table 2-25 Port 00 Functions (cont'd)

Ball	Symbol	Ctrl.	Buffer Type	Function
L2	P00.12	I	SLOW / PU1 / VEXT / ES1	General-purpose input
	GTM_TIM4_IN3_11			Mux input channel 3 of TIM module 4
	GTM_TIM1_IN3_1			Mux input channel 3 of TIM module 1
	GTM_TIM0_IN3_1			Mux input channel 3 of TIM module 0
	ASCLIN3_ACTSA			Clear to send input
	EDSADC_DSDIN0A			Digital datastream input, channel 0
	ASCLIN4_ARXA			Receive input
	SENT_SENT11B			Receive input channel 11
	EVADC_G9CH0			AI
	EVADC_FC2CH0	Analog input FC channel 2		
	P00.12	O0	General-purpose output	
	GTM_TOUT21	O1	GTM muxed output	
	—	O2	Reserved	
	—	O3	Reserved	
	—	O4	Reserved	
	—	O5	Reserved	
	—	O6	Reserved	
	CCU61_COUT63	O7	T13 PWM channel 63	
	IOM_MON1_7		Monitor input 1	
	IOM_REF1_7		Reference input 1	

Pin Definition and Functions: LFBGA-292 Package Variant Pin Configuration

Table 2-26 Port 01 Functions

Ball	Symbol	Ctrl.	Buffer Type	Function
G5	P01.3	I	SLOW / PU1 / VEXT / ES	General-purpose input
	GTM_TIM4_IN5_2			Mux input channel 5 of TIM module 4
	GTM_TIM2_IN0_14			Mux input channel 0 of TIM module 2
	GTM_TIM0_IN5_8			Mux input channel 5 of TIM module 0
	QSPI3_SLSIB			Slave select input
	EDSADC_ITR7F			Trigger/Gate input, channel 7
	EVADC_G9CH14			AI
	P01.3	O0	General-purpose output	
	GTM_TOUT111	O1	GTM muxed output	
	—	O2	Reserved	
	—	O3	Reserved	
	QSPI3_SLSO9	O4	Master slave select output	
	CAN01_TXD	O5	CAN transmit output node 1	
	IOM_MON2_6		Monitor input 2	
	IOM_REF2_6		Reference input 2	
	—	O6	Reserved	
	—	O7	Reserved	
G4	P01.4	I	SLOW / PU1 / VEXT / ES	General-purpose input
	GTM_TIM4_IN6_2			Mux input channel 6 of TIM module 4
	GTM_TIM2_IN1_14			Mux input channel 1 of TIM module 2
	GTM_TIM0_IN6_8			Mux input channel 6 of TIM module 0
	CAN01_RXDC			CAN receive input node 1
	EDSADC_ITR7E			Trigger/Gate input, channel 7
	EVADC_G9CH13			AI
	P01.4	O0	General-purpose output	
	GTM_TOUT112	O1	GTM muxed output	
	—	O2	Reserved	
	ASCLIN9_ASLSO	O3	Slave select signal output	
	QSPI3_SLSO10	O4	Master slave select output	
	—	O5	Reserved	
	—	O6	Reserved	
	—	O7	Reserved	

Pin Definition and Functions: LFBGA-292 Package Variant Pin Configuration

Table 2-26 Port 01 Functions (cont'd)

Ball	Symbol	Ctrl.	Buffer Type	Function
H5	P01.5	I	SLOW / PU1 / VEXT / ES	General-purpose input
	GTM_TIM5_IN3_2			Mux input channel 3 of TIM module 5
	GTM_TIM2_IN3_7			Mux input channel 3 of TIM module 2
	GTM_TIM2_IN2_7			Mux input channel 2 of TIM module 2
	QSPI3_MRSTC			Master SPI data input
	EDSADC_DSCIN8A			Modulator clock input, channel 8
	ASCLIN9_ARXA			Receive input
	EVADC_G9CH12	AI	Analog input channel 12, group 9	
	P01.5	O0	General-purpose output	
	GTM_TOUT113	O1	GTM muxed output	
	—	O2	Reserved	
	—	O3	Reserved	
	QSPI3_MRST	O4	Slave SPI data output	
	IOM_MON2_3		Monitor input 2	
	IOM_REF2_3		Reference input 2	
	—	O5	Reserved	
	EDSADC_DSCOUT8	O6	Modulator clock output	
—	O7	Reserved		
H4	P01.6	I	FAST / PU1 / VEXT / ES	General-purpose input
	GTM_TIM5_IN6_2			Mux input channel 6 of TIM module 5
	GTM_TIM5_IN5_3			Mux input channel 5 of TIM module 5
	GTM_TIM2_IN5_7			Mux input channel 5 of TIM module 2
	QSPI3_MTSRC			Slave SPI data input
	EDSADC_DSDIN8A			Digital datastream input, channel 8
	P01.6	O0	General-purpose output	
	GTM_TOUT114	O1	GTM muxed output	
	—	O2	Reserved	
	ASCLIN9_ASCLK	O3	Shift clock output	
	QSPI3_MTSR	O4	Master SPI data output	
	—	O5	Reserved	
	—	O6	Reserved	
	—	O7	Reserved	

Pin Definition and Functions: LFBGA-292 Package Variant Pin Configuration

Table 2-26 Port 01 Functions (cont'd)

Ball	Symbol	Ctrl.	Buffer Type	Function
J5	P01.7	I	FAST / PU1 / VEXT / ES	General-purpose input
	GTM_TIM5_IN7_2			Mux input channel 7 of TIM module 5
	GTM_TIM2_IN7_7			Mux input channel 7 of TIM module 2
	QSPI3_SCLKC			Slave SPI clock inputs
	EDSADC_ITR8F			Trigger/Gate input, channel 8
	ASCLIN9_ARXB			Receive input
	P01.7	O0		General-purpose output
	GTM_TOUT115	O1		GTM muxed output
	—	O2		Reserved
	ASCLIN9_ATX	O3		Transmit output
	QSPI3_SCLK	O4		Master SPI clock output
	—	O5		Reserved
	—	O6		Reserved
	—	O7		Reserved

Pin Definition and Functions: LFBGA-292 Package Variant Pin Configuration

Table 2-27 Port 02 Functions

Ball	Symbol	Ctrl.	Buffer Type	Function
B1	P02.0	I	FAST / PU1 / VEXT / ES	General-purpose input
	GTM_TIM1_IN0_2			Mux input channel 0 of TIM module 1
	GTM_TIM0_IN0_2			Mux input channel 0 of TIM module 0
	CCU61_CC60INB			T12 capture input 60
	ASCLIN2_ARXG			Receive input
	CCU60_CC60INA			T12 capture input 60
	SCU_E_REQ3_2			ERU Channel 3 inputs 0 to 5 (0 is the LSB and 5 is the MSB)
	GTM_DTMA0_0			CDTM0_DTM4
	P02.0	O0	General-purpose output	
	GTM_TOUT0	O1	GTM muxed output	
	IOM_REF0_0		Reference input 0	
	ASCLIN2_ATX	O2	Transmit output	
	IOM_MON2_14		Monitor input 2	
	IOM_REF2_14		Reference input 2	
	QSPI3_SLSO1	O3	Master slave select output	
	EDSADC_CGPWMN	O4	Negative carrier generator output	
	CAN00_TXD	O5	CAN transmit output node 0	
	IOM_MON2_5		Monitor input 2	
	IOM_REF2_5		Reference input 2	
	ERAY0_TXDA	O6	Transmit Channel A	
CCU60_CC60	O7	T12 PWM channel 60		
IOM_MON1_2		Monitor input 1		
IOM_REF1_6		Reference input 1		

Pin Definition and Functions: LFBGA-292 Package Variant Pin Configuration

Table 2-27 Port 02 Functions (cont'd)

Ball	Symbol	Ctrl.	Buffer Type	Function
C2	P02.1	I	SLOW / PU1 / VEXT / ES	General-purpose input
	GTM_TIM1_IN1_2			Mux input channel 1 of TIM module 1
	GTM_TIM0_IN1_2			Mux input channel 1 of TIM module 0
	ERAY0_RXDA2			Receive Channel A2
	ASCLIN2_ARXB			Receive input
	CAN00_RXDA			CAN receive input node 0
	SCU_E_REQ2_1			ERU Channel 2 inputs 0 to 5 (0 is the LSB and 5 is the MSB)
	P02.1	O0	General-purpose output	
	GTM_TOUT1	O1	GTM muxed output	
	IOM_REF0_1		Reference input 0	
	QSPI4_SLSO7	O2	Master slave select output	
	QSPI3_SLSO2	O3	Master slave select output	
	EDSADC_CGPWMP	O4	Positive carrier generator output	
	—	O5	Reserved	
—	O6	Reserved		
CCU60_COUT60	O7	T12 PWM channel 60		
IOM_MON1_3		Monitor input 1		
IOM_REF1_3		Reference input 1		

Pin Definition and Functions: LFBGA-292 Package Variant Pin Configuration

Table 2-27 Port 02 Functions (cont'd)

Ball	Symbol	Ctrl.	Buffer Type	Function
C1	P02.2	I	FAST / PU1 / VEXT / ES	General-purpose input
	GTM_TIM1_IN2_2			Mux input channel 2 of TIM module 1
	GTM_TIM0_IN2_2			Mux input channel 2 of TIM module 0
	CCU61_CC61INB			T12 capture input 61
	CCU60_CC61INA			T12 capture input 61
	SENT_SENT14B			Receive input channel 14
	P02.2			O0
	GTM_TOUT2	O1	GTM muxed output	
	IOM_REF0_2		Reference input 0	
	ASCLIN1_ATX	O2	Transmit output	
	IOM_MON2_13		Monitor input 2	
	IOM_REF2_13		Reference input 2	
	QSPI3_SLSO3	O3	Master slave select output	
	PSI5_TX0	O4	TXD outputs (send data)	
	IOM_MON1_14		Monitor input 1	
	IOM_REF1_14		Reference input 1	
	CAN02_TXD	O5	CAN transmit output node 2	
	IOM_MON2_7		Monitor input 2	
	IOM_REF2_7		Reference input 2	
	ERAY0_TXDB	O6	Transmit Channel B	
	CCU60_CC61	O7	T12 PWM channel 61	
	IOM_MON1_1		Monitor input 1	
	IOM_REF1_5		Reference input 1	

Pin Definition and Functions: LFBGA-292 Package Variant Pin Configuration

Table 2-27 Port 02 Functions (cont'd)

Ball	Symbol	Ctrl.	Buffer Type	Function
D2	P02.3	I	SLOW / PU1 / VEXT / ES	General-purpose input
	GTM_TIM1_IN3_2			Mux input channel 3 of TIM module 1
	GTM_TIM0_IN3_2			Mux input channel 3 of TIM module 0
	EDSADC_DSCIN5B			Modulator clock input, channel 5
	ERAY0_RXDB2			Receive Channel B2
	CAN02_RXDB			CAN receive input node 2
	ASCLIN1_ARXG			Receive input
	MSC1_SD11			Upstream asynchronous input signal
	PSI5_RX0B			RXD inputs (receive data) channel 0
	SENT_SENT13B			Receive input channel 13
	P02.3	O0	General-purpose output	
	GTM_TOUT3	O1	GTM muxed output	
	IOM_REF0_3		Reference input 0	
	ASCLIN2_ASLSO	O2	Slave select signal output	
	QSPI3_SLSO4	O3	Master slave select output	
	EDSADC_DSCOUT5	O4	Modulator clock output	
	—	O5	Reserved	
	—	O6	Reserved	
	CCU60_COUT61	O7	T12 PWM channel 61	
	IOM_MON1_4		Monitor input 1	
IOM_REF1_2		Reference input 1		

Pin Definition and Functions: LFBGA-292 Package Variant Pin Configuration

Table 2-27 Port 02 Functions (cont'd)

Ball	Symbol	Ctrl.	Buffer Type	Function	
D1	P02.4	I	FAST / PU1 / VEXT / ES	General-purpose input	
	GTM_TIM1_IN4_1			Mux input channel 4 of TIM module 1	
	GTM_TIM0_IN4_1			Mux input channel 4 of TIM module 0	
	CCU61_CC62INB			T12 capture input 62	
	EDSADC_DSDIN5B			Digital datastream input, channel 5	
	QSPI3_SLSIA			Slave select input	
	CCU60_CC62INA			T12 capture input 62	
	I2C0_SDAA			Serial Data Input 0	
	CAN11_RXDA			CAN receive input node 1	
	CAN0_ECTT1			External CAN time trigger input	
	SENT_SENT12B			Receive input channel 12	
	P02.4			O0	General-purpose output
	GTM_TOUT4			O1	GTM muxed output
	IOM_REF0_4		Reference input 0		
	ASCLIN2_ASCLK	O2	Shift clock output		
	QSPI3_SLSO0	O3	Master slave select output		
	PSI5S_CLK	O4	PSI5S CLK is a clock that can be used on a pin to drive the external PHY.		
	I2C0_SDA	O5	Serial Data Output		
	ERAY0_TXENA	O6	Transmit Enable Channel A		
	CCU60_CC62	O7	T12 PWM channel 62		
IOM_MON1_0		Monitor input 1			
IOM_REF1_4		Reference input 1			

Pin Definition and Functions: LFBGA-292 Package Variant Pin Configuration

Table 2-27 Port 02 Functions (cont'd)

Ball	Symbol	Ctrl.	Buffer Type	Function
E2	P02.5	I	FAST / PU1 / VEXT / ES	General-purpose input
	GTM_TIM1_IN5_1			Mux input channel 5 of TIM module 1
	GTM_TIM0_IN5_1			Mux input channel 5 of TIM module 0
	EDSADC_DSCIN4B			Modulator clock input, channel 4
	I2C0_SCLA			Serial Clock Input 0
	PSI5_RX1B			RXD inputs (receive data) channel 1
	PSI5S_RXB			RX data input
	QSPI3_MRSTA			Master SPI data input
	SENT_SENT3C			Receive input channel 3
	CAN0_ECTT2			External CAN time trigger input
	P02.5	O0		General-purpose output
	GTM_TOUT5	O1		GTM muxed output
	IOM_REF0_5			Reference input 0
	CAN11_TXD	O2		CAN transmit output node 1
	QSPI3_MRST	O3		Slave SPI data output
	IOM_MON2_3			Monitor input 2
	IOM_REF2_3			Reference input 2
	EDSADC_DSCOUT4	O4		Modulator clock output
	I2C0_SCL	O5		Serial Clock Output
	ERAY0_TXENB	O6		Transmit Enable Channel B
CCU60_COUT62	O7		T12 PWM channel 62	
IOM_MON1_5			Monitor input 1	
IOM_REF1_1			Reference input 1	

Pin Definition and Functions: LFBGA-292 Package Variant Pin Configuration

Table 2-27 Port 02 Functions (cont'd)

Ball	Symbol	Ctrl.	Buffer Type	Function
E1	P02.6	I	FAST / PU1 / VEXT / ES	General-purpose input
	GTM_TIM3_IN0_10			Mux input channel 0 of TIM module 3
	GTM_TIM1_IN6_1			Mux input channel 6 of TIM module 1
	GTM_TIM0_IN6_1			Mux input channel 6 of TIM module 0
	CCU60_CC60INC			T12 capture input 60
	SENT_SENT2C			Receive input channel 2
	EDSADC_DSDIN4B			Digital datastream input, channel 4
	EDSADC_ITR5E			Trigger/Gate input, channel 5
	GPT120_T3INA			Trigger/gate input of core timer T3
	CCU60_CCPOS0A			Hall capture input 0
	CCU61_T12HRB			External timer start 12
	QSPI3_MTSRA			Slave SPI data input
	RIFO_RAMP1B			External RAMP B input
	P02.6	O0	General-purpose output	
	GTM_TOUT6	O1	GTM muxed output	
	IOM_REF0_6		Reference input 0	
	PSI5S_TX	O2	TX data output	
	QSPI3_MTSR	O3	Master SPI data output	
	PSI5_TX1	O4	TXD outputs (send data)	
	IOM_MON1_15		Monitor input 1	
EVADC_EMUX00	O5	Control of external analog multiplexer interface 0		
—	O6	Reserved		
CCU60_CC60	O7	T12 PWM channel 60		
IOM_MON1_2		Monitor input 1		
IOM_REF1_6		Reference input 1		

Pin Definition and Functions: LFBGA-292 Package Variant Pin Configuration

Table 2-27 Port 02 Functions (cont'd)

Ball	Symbol	Ctrl.	Buffer Type	Function
F2	P02.7	I	FAST / PU1 / VEXT / ES	General-purpose input
	GTM_TIM3_IN1_10			Mux input channel 1 of TIM module 3
	GTM_TIM1_IN7_1			Mux input channel 7 of TIM module 1
	GTM_TIM0_IN7_1			Mux input channel 7 of TIM module 0
	CCU60_CC61INC			T12 capture input 61
	SENT_SENT1C			Receive input channel 1
	EDSADC_DSCIN3B			Modulator clock input, channel 3
	EDSADC_ITR4E			Trigger/Gate input, channel 4
	GPT120_T3EUDA			Count direction control input of core timer T3
	PSI5_RX2B			RXD inputs (receive data) channel 2
	CCU60_CCPOS1A			Hall capture input 1
	QSPI3_SCLKA			Slave SPI clock inputs
	CCU61_T13HRB			External timer start 13
	P02.7			O0
	GTM_TOUT7	O1	GTM muxed output	
	IOM_REF0_7		Reference input 0	
	—	O2	Reserved	
	QSPI3_SCLK	O3	Master SPI clock output	
	EDSADC_DSCOUT3	O4	Modulator clock output	
	EVADC_EMUX01	O5	Control of external analog multiplexer interface 0	
SENT_SPC1	O6	Transmit output		
CCU60_CC61	O7	T12 PWM channel 61		
IOM_MON1_1		Monitor input 1		
IOM_REF1_5		Reference input 1		

Pin Definition and Functions: LFBGA-292 Package Variant Pin Configuration

Table 2-27 Port 02 Functions (cont'd)

Ball	Symbol	Ctrl.	Buffer Type	Function
F1	P02.8	I	SLOW / PU1 / VEXT / ES	General-purpose input
	GTM_TIM3_IN2_10			Mux input channel 2 of TIM module 3
	GTM_TIM3_IN0_2			Mux input channel 0 of TIM module 3
	GTM_TIM2_IN0_2			Mux input channel 0 of TIM module 2
	CCU60_CC62INC			T12 capture input 62
	SENT_SENT0C			Receive input channel 0
	CCU60_CCPOS2A			Hall capture input 2
	EDSADC_DSDIN3B			Digital datastream input, channel 3
	EDSADC_ITR3E			Trigger/Gate input, channel 3
	GPT120_T4INA			Trigger/gate input of timer T4
	CCU61_T12HRC			External timer start 12
	CCU61_T13HRC			External timer start 13
	GTM_DTMA0_1			CDTM0_DTM4
	P02.8			O0
	GTM_TOUT8	O1	GTM muxed output	
	IOM_REF0_8		Reference input 0	
	QSPI3_SLSO5	O2	Master slave select output	
	ASCLIN8_ASCLK	O3	Shift clock output	
	PSI5_TX2	O4	TXD outputs (send data)	
	IOM_REF1_15		Reference input 1	
	EVADC_EMUX02	O5	Control of external analog multiplexer interface 0	
	GETH_MDC	O6	MDIO clock	
	CCU60_CC62	O7	T12 PWM channel 62	
IOM_MON1_0		Monitor input 1		
IOM_REF1_4		Reference input 1		

Pin Definition and Functions: LFBGA-292 Package Variant Pin Configuration

Table 2-27 Port 02 Functions (cont'd)

Ball	Symbol	Ctrl.	Buffer Type	Function
E4	P02.9	I	SLOW / PU1 / VEXT / ES	General-purpose input
	GTM_TIM4_IN2_2			Mux input channel 2 of TIM module 4
	GTM_TIM3_IN3_10			Mux input channel 3 of TIM module 3
	GTM_TIM0_IN2_10			Mux input channel 2 of TIM module 0
	SENT_SENT20B			Receive input channel 20
	ASCLIN8_ARXA			Receive input
	P02.9	O0	General-purpose output	
	GTM_TOUT116	O1	GTM muxed output	
	ASCLIN2_ATX	O2	Transmit output	
	IOM_MON2_14		Monitor input 2	
	IOM_REF2_14	O3	Reference input 2	
	ASCLIN8_ATX		Transmit output	
	—	O4	Reserved	
	CAN01_TXD	O5	CAN transmit output node 1	
	IOM_MON2_6	O6	Monitor input 2	
	IOM_REF2_6		Reference input 2	
	—	O7	Reserved	
	—	O7	Reserved	
	F5	P02.10	I	SLOW / PU1 / VEXT / ES
GTM_TIM4_IN3_2		Mux input channel 3 of TIM module 4		
GTM_TIM3_IN4_11		Mux input channel 4 of TIM module 3		
GTM_TIM0_IN3_10		Mux input channel 3 of TIM module 0		
ASCLIN2_ARXC		Receive input		
CAN01_RXDE		CAN receive input node 1		
SENT_SENT21B		Receive input channel 21		
ASCLIN8_ARXB		Receive input		
P02.10		O0	General-purpose output	
GTM_TOUT117		O1	GTM muxed output	
—		O2	Reserved	
—		O3	Reserved	
—		O4	Reserved	
—		O5	Reserved	
—		O6	Reserved	
—		O7	Reserved	

Pin Definition and Functions: LFBGA-292 Package Variant Pin Configuration

Table 2-27 Port 02 Functions (cont'd)

Ball	Symbol	Ctrl.	Buffer Type	Function
F4	P02.11	I	SLOW / PU1 / VEXT / ES	General-purpose input
	GTM_TIM4_IN4_3			Mux input channel 4 of TIM module 4
	GTM_TIM3_IN5_12			Mux input channel 5 of TIM module 3
	GTM_TIM0_IN7_7			Mux input channel 7 of TIM module 0
	SENT_SENT22B			Receive input channel 22
	EVADC_G9CH15			AI
	P02.11	O0		General-purpose output
	GTM_TOUT118	O1		GTM muxed output
	—	O2		Reserved
	ASCLIN8_ASLSO	O3		Slave select signal output
	—	O4		Reserved
	—	O5		Reserved
	—	O6		Reserved
	—	O7		Reserved

Table 2-28 Port 10 Functions

Ball	Symbol	Ctrl.	Buffer Type	Function
A7	P10.0	I	SLOW / PU1 / VEXT / ES	General-purpose input
	GTM_TIM4_IN0_12			Mux input channel 0 of TIM module 4
	GTM_TIM1_IN4_2			Mux input channel 4 of TIM module 1
	GTM_TIM0_IN4_2			Mux input channel 4 of TIM module 0
	GPT120_T6EUDB			Count direction control input of core timer T6
	ASCLIN11_ARXA			Receive input
	GETH_RXERC			Receive Error MII
	GTM_DTMA5_2			CDTM5_DTM4
	P10.0	O0		General-purpose output
	GTM_TOUT102	O1		GTM muxed output
	ASCLIN11_ATX	O2		Transmit output
	QSPI1_SLSO10	O3		Master slave select output
	—	O4		Reserved
	EVADC_FC6BFLOUT	O5		Boundary flag output, FC channel 6
	—	O6		Reserved
	—	O7		Reserved

Pin Definition and Functions: LFBGA-292 Package Variant Pin Configuration

Table 2-28 Port 10 Functions (cont'd)

Ball	Symbol	Ctrl.	Buffer Type	Function	
B7	P10.1	I	FAST / PU1 / VEXT / ES	General-purpose input	
	GTM_TIM4_IN4_12			Mux input channel 4 of TIM module 4	
	GTM_TIM1_IN1_3			Mux input channel 1 of TIM module 1	
	GTM_TIM0_IN1_3			Mux input channel 1 of TIM module 0	
	GPT120_T5EUDB			Count direction control input of timer T5	
	QSPI1_MRSTA			Master SPI data input	
	GTM_DTMT0_1			CDTM0_DTM0	
	P10.1			O0	General-purpose output
	GTM_TOUT103			O1	GTM muxed output
	QSPI1_MTSR			O2	Master SPI data output
	QSPI1_MRST			O3	Slave SPI data output
	IOM_MON2_1				Monitor input 2
	IOM_REF2_1				Reference input 2
	MSC0_EN1			O4	Chip Select
	EVADC_FC1BFLOUT			O5	Boundary flag output, FC channel 1
	—			O6	Reserved
—	O7	Reserved			
A5	P10.2	I	FAST / PU1 / VEXT / ES	General-purpose input	
	GTM_TIM4_IN5_12			Mux input channel 5 of TIM module 4	
	GTM_TIM1_IN2_3			Mux input channel 2 of TIM module 1	
	GTM_TIM0_IN2_3			Mux input channel 2 of TIM module 0	
	CAN02_RXDE			CAN receive input node 2	
	MSC0_SD11			Upstream asynchronous input signal	
	QSPI1_SCLKA			Slave SPI clock inputs	
	GPT120_T6INB			Trigger/gate input of core timer T6	
	SCU_E_REQ2_0			ERU Channel 2 inputs 0 to 5 (0 is the LSB and 5 is the MSB)	
	GTM_DTMT2_2			CDTM2_DTM0	
	P10.2			O0	General-purpose output
	GTM_TOUT104			O1	GTM muxed output
	IOM_MON2_9				Monitor input 2
	—			O2	Reserved
	QSPI1_SCLK			O3	Master SPI clock output
	MSC0_EN0			O4	Chip Select
EVADC_FC3BFLOUT	O5	Boundary flag output, FC channel 3			
—	O6	Reserved			
—	O7	Reserved			

Pin Definition and Functions: LFBGA-292 Package Variant Pin Configuration

Table 2-28 Port 10 Functions (cont'd)

Ball	Symbol	Ctrl.	Buffer Type	Function
A6	P10.3	I	FAST / PU1 / VEXT / ES	General-purpose input
	GTM_TIM4_IN6_10			Mux input channel 6 of TIM module 4
	GTM_TIM1_IN3_3			Mux input channel 3 of TIM module 1
	GTM_TIM0_IN3_3			Mux input channel 3 of TIM module 0
	QSPI1_MTSRA			Slave SPI data input
	SCU_E_REQ3_0			ERU Channel 3 inputs 0 to 5 (0 is the LSB and 5 is the MSB)
	GPT120_T5INB			Trigger/gate input of timer T5
	P10.3			O0
	GTM_TOUT105	O1	GTM muxed output	
	IOM_MON2_10		Monitor input 2	
	—	O2	Reserved	
	QSPI1_MTSR	O3	Master SPI data output	
	MSC0_EN0	O4	Chip Select	
	—	O5	Reserved	
	CAN02_TXD	O6	CAN transmit output node 2	
	IOM_MON2_7		Monitor input 2	
	IOM_REF2_7		Reference input 2	
	—	O7	Reserved	
	B6	P10.4	I	FAST / PU1 / VEXT / ES
GTM_TIM4_IN7_3		Mux input channel 7 of TIM module 4		
GTM_TIM1_IN6_2		Mux input channel 6 of TIM module 1		
GTM_TIM0_IN6_2		Mux input channel 6 of TIM module 0		
QSPI1_MTSRC		Slave SPI data input		
CCU60_CCPOS0C		Hall capture input 0		
GPT120_T3INB		Trigger/gate input of core timer T3		
ASCLIN11_ARXB		Receive input		
P10.4		O0	General-purpose output	
GTM_TOUT106		O1	GTM muxed output	
IOM_MON2_11			Monitor input 2	
—		O2	Reserved	
QSPI1_SLSO8		O3	Master slave select output	
QSPI1_MTSR		O4	Master SPI data output	
MSC0_EN0		O5	Chip Select	
—		O6	Reserved	
—		O7	Reserved	

Pin Definition and Functions: LFBGA-292 Package Variant Pin Configuration

Table 2-28 Port 10 Functions (cont'd)

Ball	Symbol	Ctrl.	Buffer Type	Function
B5	P10.5	I	SLOW / PU2 / VEXT / ES	General-purpose input
	GTM_TIM4_IN3_13			Mux input channel 3 of TIM module 4
	GTM_TIM1_IN2_4			Mux input channel 2 of TIM module 1
	GTM_TIM0_IN2_4			Mux input channel 2 of TIM module 0
	PMS_HWCFG4IN			HWCFG4 pin input
	CAN20_RXDA			CAN receive input node 0
	MSC0_INJ1			Injection signal from port
	P10.5	O0	General-purpose output	
	GTM_TOUT107	O1	GTM muxed output	
	IOM_REF2_9	O2	Reference input 2	
	ASCLIN2_ATX		Transmit output	
	IOM_MON2_14		Monitor input 2	
	IOM_REF2_14	Reference input 2		
	QSPI3_SLSO8	O3	Master slave select output	
	QSPI1_SLSO9	O4	Master slave select output	
	GPT120_T6OUT	O5	External output for overflow/underflow detection of core timer T6	
	ASCLIN2_ASLSO	O6	Slave select signal output	
	PSI5_TX3	O7	TXD outputs (send data)	

Pin Definition and Functions: LFBGA-292 Package Variant Pin Configuration

Table 2-28 Port 10 Functions (cont'd)

Ball	Symbol	Ctrl.	Buffer Type	Function
A4	P10.6	I	SLOW / PU2 / VEXT / ES	General-purpose input
	GTM_TIM4_IN2_13			Mux input channel 2 of TIM module 4
	GTM_TIM1_IN3_4			Mux input channel 3 of TIM module 1
	GTM_TIM0_IN3_4			Mux input channel 3 of TIM module 0
	PSI5_RX3C			RXD inputs (receive data) channel 3
	ASCLIN2_ARXD			Receive input
	QSPI3_MTSRB			Slave SPI data input
	PMS_HWCFG5IN			HWCFG5 pin input
	P10.6			O0
	GTM_TOUT108	O1	GTM muxed output	
	IOM_REF2_10		Reference input 2	
	ASCLIN2_ASCLK	O2	Shift clock output	
	QSPI3_MTSR	O3	Master SPI data output	
	GPT120_T3OUT	O4	External output for overflow/underflow detection of core timer T3	
	CAN20_TXD	O5	CAN transmit output node 0	
	QSPI1_MRST	O6	Slave SPI data output	
	IOM_MON2_1		Monitor input 2	
	IOM_REF2_1		Reference input 2	
	EVADC_FC7BFLOUT	O7	Boundary flag output, FC channel 7	

Pin Definition and Functions: LFBGA-292 Package Variant Pin Configuration

Table 2-28 Port 10 Functions (cont'd)

Ball	Symbol	Ctrl.	Buffer Type	Function
A3	P10.7	I	SLOW / PU1 / VEXT / ES	General-purpose input
	GTM_TIM1_IN0_3			Mux input channel 0 of TIM module 1
	GTM_TIM0_IN0_3			Mux input channel 0 of TIM module 0
	GPT120_T3EUDB			Count direction control input of core timer T3
	ASCLIN2_ACTSA			Clear to send input
	QSPI3_MRSTB			Master SPI data input
	SCU_E_REQ0_2			ERU Channel 0 inputs 0 to 5 (0 is the LSB and 5 is the MSB)
	CCU60_CCPOS1C			Hall capture input 1
	P10.7			O0
	GTM_TOUT109	O1	GTM muxed output	
	IOM_REF2_11	O2	Reference input 2	
	—		Reserved	
	QSPI3_MRST		O3	Slave SPI data output
	IOM_MON2_3	O3	Monitor input 2	
	IOM_REF2_3		Reference input 2	
	—	O4	Reserved	
	CAN20_TXD	O5	CAN transmit output node 0	
	CAN12_TXD	O6	CAN transmit output node 2	
	—	O7	Reserved	

Pin Definition and Functions: LFBGA-292 Package Variant Pin Configuration

Table 2-28 Port 10 Functions (cont'd)

Ball	Symbol	Ctrl.	Buffer Type	Function	
B4	P10.8	I	SLOW / PU1 / VEXT / ES	General-purpose input	
	GTM_TIM4_IN0_13			Mux input channel 0 of TIM module 4	
	GTM_TIM1_IN5_2			Mux input channel 5 of TIM module 1	
	GTM_TIM0_IN5_2			Mux input channel 5 of TIM module 0	
	CAN12_RXDB			CAN receive input node 2	
	GPT120_T4INB			Trigger/gate input of timer T4	
	QSPI3_SCLKB			Slave SPI clock inputs	
	SCU_E_REQ1_2			ERU Channel 1 inputs 0 to 5 (0 is the LSB and 5 is the MSB)	
	CCU60_CCPOS2C			Hall capture input 2	
	CAN20_RXDB			CAN receive input node 0	
	RIF1_RAMP1B			External RAMP B input	
	P10.8			O0	General-purpose output
	GTM_TOUT110			O1	GTM muxed output
	ASCLIN2_ARTS			O2	Ready to send output
QSPI3_SCLK	O3	Master SPI clock output			
—	O4	Reserved			
—	O5	Reserved			
—	O6	Reserved			
—	O7	Reserved			

Pin Definition and Functions: LFBGA-292 Package Variant Pin Configuration

Table 2-29 Port 11 Functions

Ball	Symbol	Ctrl.	Buffer Type	Function
E10	P11.0	I	RFAST / PU1 / VFLEX / ES	General-purpose input
	GTM_TIM7_IN5_1			Mux input channel 5 of TIM module 7
	GTM_TIM4_IN0_4			Mux input channel 0 of TIM module 4
	GTM_TIM2_IN0_7			Mux input channel 0 of TIM module 2
	ASCLIN3_ARXB			Receive input
	GTM_DTMA2_1			CDTM2_DTM4
	P11.0	O0		General-purpose output
	GTM_TOUT119	O1		GTM muxed output
	ASCLIN3_ATX	O2		Transmit output
	IOM_MON2_15			Monitor input 2
	IOM_REF2_15			Reference input 2
	—	O3		Reserved
	—	O4		Reserved
	CAN11_TXD	O5		CAN transmit output node 1
GETH_TXD3	O6		Transmit Data	
—	O7		Reserved	
E9	P11.1	I	RFAST / PU1 / VFLEX / ES	General-purpose input
	GTM_TIM7_IN6_1			Mux input channel 6 of TIM module 7
	GTM_TIM4_IN1_5			Mux input channel 1 of TIM module 4
	GTM_TIM2_IN1_6			Mux input channel 1 of TIM module 2
	P11.1	O0		General-purpose output
	GTM_TOUT120	O1		GTM muxed output
	ASCLIN3_ASCLK	O2		Shift clock output
	ASCLIN3_ATX	O3		Transmit output
	IOM_MON2_15			Monitor input 2
	IOM_REF2_15			Reference input 2
	—	O4		Reserved
	CAN12_TXD	O5		CAN transmit output node 2
	GETH_TXD2	O6		Transmit Data
	—	O7		Reserved

Pin Definition and Functions: LFBGA-292 Package Variant Pin Configuration

Table 2-29 Port 11 Functions (cont'd)

Ball	Symbol	Ctrl.	Buffer Type	Function
A10	P11.2	I	RFAST / PU1 / VFLEX / ES	General-purpose input
	GTM_TIM3_IN1_3			Mux input channel 1 of TIM module 3
	GTM_TIM2_IN1_3			Mux input channel 1 of TIM module 2
	P11.2	O0		General-purpose output
	GTM_TOUT95	O1		GTM muxed output
	—	O2		Reserved
	QSPI0_SLSO5	O3		Master slave select output
	QSPI1_SLSO5	O4		Master slave select output
	MSC0_EN1	O5		Chip Select
	GETH_TXD1	O6		Transmit Data
	CCU60_COUT63	O7		T13 PWM channel 63
	IOM_MON1_6			Monitor input 1
	IOM_REF1_0			Reference input 1
	B10	P11.3		I
GTM_TIM3_IN2_2		Mux input channel 2 of TIM module 3		
GTM_TIM2_IN2_2		Mux input channel 2 of TIM module 2		
MSC0_SDI3		Upstream assynchronous input signal		
QSPI1_MRSTB			Master SPI data input	
P11.3		O0	General-purpose output	
GTM_TOUT96		O1	GTM muxed output	
—		O2	Reserved	
QSPI1_MRST		O3	Slave SPI data output	
IOM_MON2_1			Monitor input 2	
IOM_REF2_1			Reference input 2	
ERAY0_TXDA		O4	Transmit Channel A	
—		O5	Reserved	
GETH_TXD0		O6	Transmit Data	
CCU60_COUT62		O7	T12 PWM channel 62	
IOM_MON1_5			Monitor input 1	
IOM_REF1_1			Reference input 1	

Pin Definition and Functions: LFBGA-292 Package Variant Pin Configuration

Table 2-29 Port 11 Functions (cont'd)

Ball	Symbol	Ctrl.	Buffer Type	Function
D10	P11.4	I	RFAST / PU1 / VFLEX / ES	General-purpose input
	GTM_TIM7_IN7_1			Mux input channel 7 of TIM module 7
	GTM_TIM4_IN2_5			Mux input channel 2 of TIM module 4
	GTM_TIM2_IN2_6			Mux input channel 2 of TIM module 2
	GETH_RXCLKB			Receive Clock MII
	P11.4	O0	General-purpose output	
	GTM_TOUT121	O1	GTM muxed output	
	ASCLIN3_ASCLK	O2	Shift clock output	
	—	O3	Reserved	
	—	O4	Reserved	
	CAN13_TXD	O5	CAN transmit output node 3	
	GETH_TXER	O6	Transmit Error MII	
	GETH_TXCLK	O7	Transmit Clock Output for RGMII	
D8	P11.5	I	SLOW / RGMII_In put / PU1 / VFLEX / ES	General-purpose input
	GTM_TIM4_IN3_5			Mux input channel 3 of TIM module 4
	GTM_TIM2_IN3_8			Mux input channel 3 of TIM module 2
	GETH_TXCLKA			Transmit Clock Input for MII
	GETH_GREFCLK			Gigabit Reference Clock input for RGMII (125 MHz high precision)
	P11.5	O0	General-purpose output	
	GTM_TOUT122	O1	GTM muxed output	
	—	O2	Reserved	
	—	O3	Reserved	
	—	O4	Reserved	
	CAN20_TXD	O5	CAN transmit output node 0	
	—	O6	Reserved	
	—	O7	Reserved	

Pin Definition and Functions: LFBGA-292 Package Variant Pin Configuration

Table 2-29 Port 11 Functions (cont'd)

Ball	Symbol	Ctrl.	Buffer Type	Function
D9	P11.6	I	RFAST / PU1 / VFLEX / ES	General-purpose input
	GTM_TIM3_IN3_2			Mux input channel 3 of TIM module 3
	GTM_TIM2_IN3_2			Mux input channel 3 of TIM module 2
	QSPI1_SCLKB			Slave SPI clock inputs
	P11.6	O0	General-purpose output	
	GTM_TOUT97	O1	GTM muxed output	
	ERAY0_TXENB	O2	Transmit Enable Channel B	
	QSPI1_SCLK	O3	Master SPI clock output	
	ERAY0_TXENA	O4	Transmit Enable Channel A	
	MSC0_FCLP	O5	Shift-clock direct part of the differential signal	
	GETH_TXEN	O6	Transmit Enable MII and RMII	
	GETH_TCTL		Transmit Control for RGMII	
	CCU60_COUT61	O7	T12 PWM channel 61	
	IOM_MON1_4		Monitor input 1	
IOM_REF1_2	Reference input 1			
E8	P11.7	I	SLOW / RGMII_In put / PU1 / VFLEX / ES	General-purpose input
	GTM_TIM4_IN4_5			Mux input channel 4 of TIM module 4
	GTM_TIM2_IN4_7			Mux input channel 4 of TIM module 2
	GETH_RXD3A			Receive Data 3 MII and RGMII (RGMII can use RXD3A only)
	CAN11_RXDD		CAN receive input node 1	
	P11.7	O0	General-purpose output	
	GTM_TOUT123	O1	GTM muxed output	
	—	O2	Reserved	
	—	O3	Reserved	
	—	O4	Reserved	
	—	O5	Reserved	
	—	O6	Reserved	
	—	O7	Reserved	

Pin Definition and Functions: LFBGA-292 Package Variant Pin Configuration

Table 2-29 Port 11 Functions (cont'd)

Ball	Symbol	Ctrl.	Buffer Type	Function
E7	P11.8	I	SLOW / RGMII_ Input / PU1 / VFLEX / ES	General-purpose input
	GTM_TIM4_IN5_5			Mux input channel 5 of TIM module 4
	GTM_TIM2_IN5_8			Mux input channel 5 of TIM module 2
	GETH_RXD2A			Receive Data 2 MII and RGMII (RGMII can use RXD2A only)
	CAN12_RXDD			CAN receive input node 2
	P11.8	O0		General-purpose output
	GTM_TOUT124	O1		GTM muxed output
	—	O2		Reserved
	—	O3		Reserved
	—	O4		Reserved
	—	O5		Reserved
	—	O6		Reserved
—	O7	Reserved		
A9	P11.9	I	FAST / RGMII_ Input / PU1 / VFLEX / ES	General-purpose input
	GTM_TIM3_IN4_2			Mux input channel 4 of TIM module 3
	GTM_TIM2_IN4_2			Mux input channel 4 of TIM module 2
	QSPI1_MTSRB			Slave SPI data input
	ERAY0_RXDA1			Receive Channel A1
	GETH_RXD1A			Receive Data 1 MII, RMII and RGMII (RGMII can use RXD1A only)
	P11.9	O0		General-purpose output
	GTM_TOUT98	O1		GTM muxed output
	—	O2		Reserved
	QSPI1_MTSTR	O3		Master SPI data output
	—	O4		Reserved
	MSC0_SOP	O5		Data output - direct part of the differential signal
	—	O6		Reserved
	CCU60_COUT60	O7		T12 PWM channel 60
	IOM_MON1_3			Monitor input 1
IOM_REF1_3		Reference input 1		

Pin Definition and Functions: LFBGA-292 Package Variant Pin Configuration

Table 2-29 Port 11 Functions (cont'd)

Ball	Symbol	Ctrl.	Buffer Type	Function	
B9	P11.10	I	FAST / RGMII_ Input / PU1 / VFLEX / ES	General-purpose input	
	GTM_TIM3_IN5_2			Mux input channel 5 of TIM module 3	
	GTM_TIM2_IN5_2			Mux input channel 5 of TIM module 2	
	GTM_TIM2_IN0_9			Mux input channel 0 of TIM module 2	
	CAN03_RXDD			CAN receive input node 3	
	ERAY0_RXDB1			Receive Channel B1	
	ASCLIN1_ARXE			Receive input	
	SCU_E_REQ6_3			ERU Channel 6 inputs 0 to 5 (0 is the LSB and 5 is the MSB)	
	MSC0_SDI0			Upstream asynchronous input signal	
	GETH_RXD0A			Receive Data 0 MII, RMII and RGMII (RGMII can use RXD0A only)	
	QSPI1_SLSIA			Slave select input	
	P11.10			O0	General-purpose output
	GTM_TOUT99			O1	GTM muxed output
	—			O2	Reserved
QSPI0_SLSO3	O3	Master slave select output			
QSPI1_SLSO3	O4	Master slave select output			
—	O5	Reserved			
—	O6	Reserved			
CCU60_CC62	O7	T12 PWM channel 62			
IOM_MON1_0		Monitor input 1			
IOM_REF1_4		Reference input 1			

Pin Definition and Functions: LFBGA-292 Package Variant Pin Configuration

Table 2-29 Port 11 Functions (cont'd)

Ball	Symbol	Ctrl.	Buffer Type	Function
A8	P11.11	I	FAST / RGMII_In put / PU1 / VFLEX / ES	General-purpose input
	GTM_TIM3_IN6_2			Mux input channel 6 of TIM module 3
	GTM_TIM3_IN0_14			Mux input channel 0 of TIM module 3
	GTM_TIM2_IN6_2			Mux input channel 6 of TIM module 2
	GETH_CRSDVA			Carrier Sense / Data Valid combi-signal for RMII
	GETH_RXDVA			Receive Data Valid MII
	GETH_CRSB			Carrier Sense MII
	GETH_RCTLA			Receive Control for RGMII
	P11.11	O0	General-purpose output	
	GTM_TOUT100	O1	GTM muxed output	
	—	O2	Reserved	
	QSPIO_SLSO4	O3	Master slave select output	
	QSPI1_SLSO4	O4	Master slave select output	
	MSC0_EN0	O5	Chip Select	
	ERAY0_TXENB	O6	Transmit Enable Channel B	
	CCU60_CC61	O7	T12 PWM channel 61	
	IOM_MON1_1		Monitor input 1	
IOM_REF1_5		Reference input 1		
B8	P11.12	I	FAST / RGMII_In put / PU1 / VFLEX / ES	General-purpose input
	GTM_TIM3_IN7_2			Mux input channel 7 of TIM module 3
	GTM_TIM2_IN7_2			Mux input channel 7 of TIM module 2
	GETH_REFCLKA			Reference Clock input for RMII (50 MHz)
	GETH_TXCLKB			Transmit Clock Input for MII
	GETH_RXCLKA			Receive Clock MII
	P11.12	O0	General-purpose output	
	GTM_TOUT101	O1	GTM muxed output	
	ASCLIN1_ATX	O2	Transmit output	
	IOM_MON2_13		Monitor input 2	
	IOM_REF2_13		Reference input 2	
	GTM_CLK2	O3	CGM generated clock	
	ERAY0_TXDB	O4	Transmit Channel B	
	CAN03_TXD	O5	CAN transmit output node 3	
	IOM_MON2_8		Monitor input 2	
	IOM_REF2_8		Reference input 2	
	CCU_EXTCLK1	O6	External Clock 1	
CCU60_CC60	O7	T12 PWM channel 60		
IOM_MON1_2		Monitor input 1		
IOM_REF1_6		Reference input 1		

Pin Definition and Functions: LFBGA-292 Package Variant Pin Configuration

Table 2-29 Port 11 Functions (cont'd)

Ball	Symbol	Ctrl.	Buffer Type	Function
E6	P11.13	I	SLOW / PU1 / VFLEX / ES	General-purpose input
	GTM_TIM4_IN6_5			Mux input channel 6 of TIM module 4
	GTM_TIM2_IN6_7			Mux input channel 6 of TIM module 2
	GETH_RXERA			Receive Error MII
	I2C1_SDAA			Serial Data Input 0
	CAN13_RXDD			CAN receive input node 3
	P11.13			O0
	GTM_TOUT125	O1	GTM muxed output	
	—	O2	Reserved	
	—	O3	Reserved	
	—	O4	Reserved	
	—	O5	Reserved	
	I2C1_SDA	O6	Serial Data Output	
	—	O7	Reserved	
D7	P11.14	I	SLOW / PU1 / VFLEX / ES	General-purpose input
	GTM_TIM4_IN7_4			Mux input channel 7 of TIM module 4
	GTM_TIM2_IN7_8			Mux input channel 7 of TIM module 2
	GETH_CRSDVB			Carrier Sense / Data Valid combi-signal for RMII
	GETH_RXDVB			Receive Data Valid MII
	GETH_CRSA			Carrier Sense MII
	I2C1_SCLA			Serial Clock Input 0
	CAN20_RXDF	CAN receive input node 0		
	P11.14	O0	General-purpose output	
	GTM_TOUT126	O1	GTM muxed output	
	—	O2	Reserved	
	—	O3	Reserved	
	—	O4	Reserved	
	—	O5	Reserved	
I2C1_SCL	O6	Serial Clock Output		
—	O7	Reserved		

Pin Definition and Functions: LFBGA-292 Package Variant Pin Configuration

Table 2-29 Port 11 Functions (cont'd)

Ball	Symbol	Ctrl.	Buffer Type	Function
D6	P11.15	I	SLOW / PU1 / VFLEX / ES	General-purpose input
	GTM_TIM4_IN7_5			Mux input channel 7 of TIM module 4
	GTM_TIM0_IN7_8			Mux input channel 7 of TIM module 0
	GETH_COLA			Collision MII
	P11.15	O0		General-purpose output
	GTM_TOUT127	O1		GTM muxed output
	—	O2		Reserved
	—	O3		Reserved
	—	O4		Reserved
	—	O5		Reserved
	—	O6		Reserved
	—	O7		Reserved

Table 2-30 Port 12 Functions

Ball	Symbol	Ctrl.	Buffer Type	Function
E12	P12.0	I	SLOW / PU1 / VFLEX / ES	General-purpose input
	GTM_TIM7_IN3_2			Mux input channel 3 of TIM module 7
	GTM_TIM4_IN0_5			Mux input channel 0 of TIM module 4
	GTM_TIM3_IN0_7			Mux input channel 0 of TIM module 3
	CAN00_RXDC			CAN receive input node 0
	GETH_RXCLKC			Receive Clock MII
	GTM_DTMA4_0			CDTM4_DTM4
	P12.0			O0
	GTM_TOUT128	O1		GTM muxed output
	—	O2		Reserved
	—	O3		Reserved
	—	O4		Reserved
	—	O5		Reserved
	GETH_MDC	O6		MDIO clock
—	O7	Reserved		

Pin Definition and Functions: LFBGA-292 Package Variant Pin Configuration

Table 2-30 Port 12 Functions (cont'd)

Ball	Symbol	Ctrl.	Buffer Type	Function
E11	P12.1	I	SLOW / PU1 / VFLEX / ES	General-purpose input
	GTM_TIM7_IN4_1			Mux input channel 4 of TIM module 7
	GTM_TIM4_IN1_6			Mux input channel 1 of TIM module 4
	GTM_TIM3_IN1_6			Mux input channel 1 of TIM module 3
	GETH_MDIOC			MDIO Input
	P12.1	O0	General-purpose output	
	GTM_TOUT129	O1	GTM muxed output	
	ASCLIN3_ASLSO	O2	Slave select signal output	
	—	O3	Reserved	
	—	O4	Reserved	
	CAN00_TXD	O5	CAN transmit output node 0	
	IOM_MON2_5		Monitor input 2	
	IOM_REF2_5		Reference input 2	
	—	O6	Reserved	
	—	O7	Reserved	
GETH_MDIO	O	MDIO Output		

Table 2-31 Port 13 Functions

Ball	Symbol	Ctrl.	Buffer Type	Function
B12	P13.0	I	LVDS_TX / FAST / PU1 / VEXT / ES6	General-purpose input
	GTM_TIM3_IN5_3			Mux input channel 5 of TIM module 3
	GTM_TIM2_IN5_3			Mux input channel 5 of TIM module 2
	ASCLIN10_ARXC			Receive input
	P13.0	O0	General-purpose output	
	GTM_TOUT91	O1	GTM muxed output	
	ASCLIN10_ATX	O2	Transmit output	
	QSPI2_SCLKN	O3	Master SPI clock output (LVDS N line)	
	MSC0_EN1	O4	Chip Select	
	MSC0_FCLN	O5	Shift-clock inverted part of the differential signal	
	—	O6	Reserved	
CAN10_TXD	O7	CAN transmit output node 0		

Pin Definition and Functions: LFBGA-292 Package Variant Pin Configuration

Table 2-31 Port 13 Functions (cont'd)

Ball	Symbol	Ctrl.	Buffer Type	Function
A12	P13.1	I	LVDS_TX / FAST / PU1 / VEXT / ES6	General-purpose input
	GTM_TIM3_IN6_3			Mux input channel 6 of TIM module 3
	GTM_TIM2_IN6_3			Mux input channel 6 of TIM module 2
	I2C0_SCLB			Serial Clock Input 1
	CAN10_RXDD			CAN receive input node 0
	ASCLIN10_ARXD			Receive input
	P13.1			O0
	GTM_TOUT92	O1	GTM muxed output	
	—	O2	Reserved	
	QSPI2_SCLKP	O3	Master SPI clock output (LVDS P line)	
	—	O4	Reserved	
	MSC0_FCLP	O5	Shift-clock direct part of the differential signal	
	I2C0_SCL	O6	Serial Clock Output	
	—	O7	Reserved	
B11	P13.2	I	LVDS_TX / FAST / PU1 / VEXT / ES6	General-purpose input
	GTM_TIM3_IN7_3			Mux input channel 7 of TIM module 3
	GTM_TIM2_IN7_3			Mux input channel 7 of TIM module 2
	GPT120_CAPINA			Trigger input to capture value of timer T5 into CAPREL register
	I2C0_SDAB		Serial Data Input 1	
	P13.2	O0	General-purpose output	
	GTM_TOUT93	O1	GTM muxed output	
	ASCLIN10_ASCLK	O2	Shift clock output	
	QSPI2_MTSRN	O3	Master SPI data output (LVDS N line)	
	MSC0_FCLP	O4	Shift-clock direct part of the differential signal	
	MSC0_SON	O5	Data output - inverted part of the differential signal	
	I2C0_SDA	O6	Serial Data Output	
	—	O7	Reserved	

Pin Definition and Functions: LFBGA-292 Package Variant Pin Configuration

Table 2-31 Port 13 Functions (cont'd)

Ball	Symbol	Ctrl.	Buffer Type	Function
A11	P13.3	I	LVDS_TX / FAST / PU1 / VEXT / ES6	General-purpose input
	GTM_TIM3_IN0_3			Mux input channel 0 of TIM module 3
	GTM_TIM2_IN0_3			Mux input channel 0 of TIM module 2
	P13.3			O0
	GTM_TOUT94	O1		GTM muxed output
	ASCLIN10_ASLSO	O2		Slave select signal output
	QSPI2_MTSRP	O3		Master SPI data output (LVDS P line)
	—	O4		Reserved
	MSC0_SOP	O5		Data output - direct part of the differential signal
	—	O6		Reserved
	—	O7		Reserved

Table 2-32 Port 14 Functions

Ball	Symbol	Ctrl.	Buffer Type	Function
B16	P14.0	I	FAST / PU1 / VEXT / ES2	General-purpose input
	GTM_TIM1_IN3_5			Mux input channel 3 of TIM module 1
	GTM_TIM0_IN3_5			Mux input channel 3 of TIM module 0
	SENT_SENT17D			Receive input channel 17
	P14.0	O0		General-purpose output
	GTM_TOUT80	O1		GTM muxed output
	ASCLIN0_ATX	O2		Transmit output
	IOM_MON2_12			Monitor input 2
	IOM_REF2_12			Reference input 2
	ERAY0_TXDA			O3
	ERAY0_TXDB	O4		Transmit Channel B
	CAN01_TXD	O5		CAN transmit output node 1
	IOM_MON2_6	O6		Monitor input 2
	IOM_REF2_6			Reference input 2
	ASCLIN0_ASCLK			Shift clock output
	CCU60_COUT62			O7
	IOM_MON1_5	O7		Monitor input 1
	IOM_REF1_1			Reference input 1

Pin Definition and Functions: LFBGA-292 Package Variant Pin Configuration

Table 2-32 Port 14 Functions (cont'd)

Ball	Symbol	Ctrl.	Buffer Type	Function
A15	P14.1	I	FAST / PU1 / VEXT / ES2	General-purpose input
	GTM_TIM1_IN4_3			Mux input channel 4 of TIM module 1
	GTM_TIM0_IN4_3			Mux input channel 4 of TIM module 0
	ERAY0_RXDA3			Receive Channel A3
	ASCLIN0_ARXA			Receive input
	SENT_SENT18D			Receive input channel 18
	ERAY0_RXDB3			Receive Channel B3
	CAN01_RXDB			CAN receive input node 1
	SCU_E_REQ3_1			ERU Channel 3 inputs 0 to 5 (0 is the LSB and 5 is the MSB)
	PMS_PINAWKP			PINA (P14.1) pin input
	P14.1	O0	General-purpose output	
	GTM_TOUT81	O1	GTM muxed output	
	ASCLIN0_ATX	O2	Transmit output	
	IOM_MON2_12		Monitor input 2	
	IOM_REF2_12		Reference input 2	
	—	O3	Reserved	
	—	O4	Reserved	
	—	O5	Reserved	
	—	O6	Reserved	
	CCU60_COUT63	O7	T13 PWM channel 63	
IOM_MON1_6		Monitor input 1		
IOM_REF1_0		Reference input 1		
E13	P14.2	I	SLOW / PU2 / VEXT / ES	General-purpose input
	GTM_TIM1_IN5_3			Mux input channel 5 of TIM module 1
	GTM_TIM0_IN5_3			Mux input channel 5 of TIM module 0
	PMS_HWCFG2IN			HWCFG2 pin input
	P14.2	O0	General-purpose output	
	GTM_TOUT82	O1	GTM muxed output	
	ASCLIN2_ATX	O2	Transmit output	
	IOM_MON2_14		Monitor input 2	
	IOM_REF2_14		Reference input 2	
	QSPI2_SLSO1	O3	Master slave select output	
	—	O4	Reserved	
	—	O5	Reserved	
	ASCLIN2_ASCLK	O6	Shift clock output	
	—	O7	Reserved	

Pin Definition and Functions: LFBGA-292 Package Variant Pin Configuration

Table 2-32 Port 14 Functions (cont'd)

Ball	Symbol	Ctrl.	Buffer Type	Function
B14	P14.3	I	SLOW / PU2 / VEXT / ES	General-purpose input
	GTM_TIM1_IN6_3			Mux input channel 6 of TIM module 1
	GTM_TIM0_IN6_3			Mux input channel 6 of TIM module 0
	PMS_HWCFG3IN			HWCFG3 pin input
	ASCLIN2_ARXA			Receive input
	MSC0_SDI2			Upstream assynchronous input signal
	SCU_E_REQ1_0			ERU Channel 1 inputs 0 to 5 (0 is the LSB and 5 is the MSB)
	P14.3	O0	General-purpose output	
	GTM_TOUT83	O1	GTM muxed output	
	ASCLIN2_ATX	O2	Transmit output	
	IOM_MON2_14		Monitor input 2	
	IOM_REF2_14		Reference input 2	
	QSPI2_SLSO3	O3	Master slave select output	
	ASCLIN1_ASLSO	O4	Slave select signal output	
	ASCLIN3_ASLSO	O5	Slave select signal output	
	—	O6	Reserved	
	—	O7	Reserved	
B15	P14.4	I	SLOW / PU2 / VEXT / ES	General-purpose input
	GTM_TIM1_IN7_2			Mux input channel 7 of TIM module 1
	GTM_TIM0_IN7_2			Mux input channel 7 of TIM module 0
	PMS_HWCFG6IN			HWCFG6 pin input
	GTM_DTMT0_0			CDTM0_DTM0
	P14.4	O0	General-purpose output	
	GTM_TOUT84	O1	GTM muxed output	
	—	O2	Reserved	
	—	O3	Reserved	
	—	O4	Reserved	
	—	O5	Reserved	
	GETH_PPS	O6	Pulse Per Second	
	—	O7	Reserved	

Pin Definition and Functions: LFBGA-292 Package Variant Pin Configuration

Table 2-32 Port 14 Functions (cont'd)

Ball	Symbol	Ctrl.	Buffer Type	Function
A14	P14.5	I	FAST / PU2 / VEXT / ES	General-purpose input
	GTM_TIM1_IN0_4			Mux input channel 0 of TIM module 1
	GTM_TIM0_IN0_4			Mux input channel 0 of TIM module 0
	PMS_HWCFG1IN			HWCFG1 pin input
	QSPI5_MRSTB			Master SPI data input
	GTM_DTMA2_0			CDTM2_DTM4
	P14.5			O0
	GTM_TOUT85	O1	GTM muxed output	
	—	O2	Reserved	
	QSPI5_MRST	O3	Slave SPI data output	
	—	O4	Reserved	
	—	O5	Reserved	
	ERAY0_TXDB	O6	Transmit Channel B	
	ERAY1_TXDB	O7	Transmit Channel B	
B13	P14.6	I	FAST / PU1 / VEXT / ES	General-purpose input
	GTM_TIM1_IN1_4			Mux input channel 1 of TIM module 1
	GTM_TIM0_IN1_4			Mux input channel 1 of TIM module 0
	QSPI5_MTSRB			Slave SPI data input
	P14.6	O0	General-purpose output	
	GTM_TOUT86	O1	GTM muxed output	
	QSPI5_MTSR	O2	Master SPI data output	
	QSPI2_SLSO2	O3	Master slave select output	
	CAN13_TXD	O4	CAN transmit output node 3	
	—	O5	Reserved	
	ERAY0_TXENB	O6	Transmit Enable Channel B	
	ERAY1_TXENB	O7	Transmit Enable Channel B	

Pin Definition and Functions: LFBGA-292 Package Variant Pin Configuration

Table 2-32 Port 14 Functions (cont'd)

Ball	Symbol	Ctrl.	Buffer Type	Function	
D13	P14.7	I	SLOW / PU1 / VEXT / ES	General-purpose input	
	GTM_TIM4_IN7_10			Mux input channel 7 of TIM module 4	
	GTM_TIM1_IN0_5			Mux input channel 0 of TIM module 1	
	GTM_TIM0_IN0_5			Mux input channel 0 of TIM module 0	
	ERAY0_RXDB0			Receive Channel B0	
	ERAY1_RXDB0			Receive Channel B0	
	CAN10_RXDB			CAN receive input node 0	
	CAN13_RXDA			CAN receive input node 3	
	ASCLIN9_ARXC			Receive input	
	P14.7			O0	General-purpose output
	GTM_TOUT87	O1	GTM muxed output		
	ASCLIN0_ARTS	O2	Ready to send output		
	QSPI2_SLSO4	O3	Master slave select output		
	ASCLIN9_ATX	O4	Transmit output		
	—	O5	Reserved		
—	O6	Reserved			
—	O7	Reserved			
A13	P14.8	I	SLOW / PU1 / VEXT / ES	General-purpose input	
	GTM_TIM3_IN2_3			Mux input channel 2 of TIM module 3	
	GTM_TIM2_IN2_3			Mux input channel 2 of TIM module 2	
	ERAY0_RXDA0			Receive Channel A0	
	CAN02_RXDD			CAN receive input node 2	
	ASCLIN1_ARXD			Receive input	
	ERAY1_RXDA0			Receive Channel A0	
	P14.8			O0	General-purpose output
	GTM_TOUT88			O1	GTM muxed output
	ASCLIN5_ASLSO			O2	Slave select signal output
	ASCLIN7_ASLSO	O3	Slave select signal output		
	—	O4	Reserved		
	—	O5	Reserved		
	—	O6	Reserved		
	—	O7	Reserved		

Pin Definition and Functions: LFBGA-292 Package Variant Pin Configuration

Table 2-32 Port 14 Functions (cont'd)

Ball	Symbol	Ctrl.	Buffer Type	Function
D12	P14.9	I	LVDS_R X/FAST/ PU1/ VEXT/ ES	General-purpose input
	GTM_TIM3_IN3_3			Mux input channel 3 of TIM module 3
	GTM_TIM2_IN3_3			Mux input channel 3 of TIM module 2
	ASCLIN0_ACTSA			Clear to send input
	QSPI2_MRSTFN			Master SPI data input (LVDS N line)
	ASCLIN9_ARXD			Receive input
	P14.9	O0	General-purpose output	
	GTM_TOUT89	O1	GTM muxed output	
	CAN23_TXD	O2	CAN transmit output node 3	
	MSC0_EN1	O3	Chip Select	
	CAN10_TXD	O4	CAN transmit output node 0	
	ERAY0_TXENB	O5	Transmit Enable Channel B	
	ERAY0_TXENA	O6	Transmit Enable Channel A	
	ERAY1_TXENA	O7	Transmit Enable Channel A	
D11	P14.10	I	LVDS_R X/FAST/ PU1/ VEXT/ ES	General-purpose input
	GTM_TIM3_IN4_3			Mux input channel 4 of TIM module 3
	GTM_TIM2_IN4_3			Mux input channel 4 of TIM module 2
	CAN23_RXDA			CAN receive input node 3
	QSPI2_MRSTFP			Master SPI data input (LVDS P line)
	P14.10	O0	General-purpose output	
	GTM_TOUT90	O1	GTM muxed output	
	QSPI5_SCLK	O2	Master SPI clock output	
	MSC0_EN0	O3	Chip Select	
	ASCLIN1_ATX	O4	Transmit output	
	IOM_MON2_13	O5	Monitor input 2	
	IOM_REF2_13		Reference input 2	
	CAN02_TXD		CAN transmit output node 2	
	IOM_MON2_7	O6	Monitor input 2	
	IOM_REF2_7		Reference input 2	
	ERAY0_TXDA	O6	Transmit Channel A	
ERAY1_TXDA	O7	Transmit Channel A		

Pin Definition and Functions: LFBGA-292 Package Variant Pin Configuration

Table 2-33 Port 15 Functions

Ball	Symbol	Ctrl.	Buffer Type	Function	
B20	P15.0	I	FAST / PU1 / VEXT / ES	General-purpose input	
	GTM_TIM3_IN3_4			Mux input channel 3 of TIM module 3	
	GTM_TIM2_IN3_4			Mux input channel 3 of TIM module 2	
	SDMMC0_DAT7_IN			read data in	
	P15.0			O0	General-purpose output
	GTM_TOUT71			O1	GTM muxed output
	ASCLIN1_ATX			O2	Transmit output
	IOM_MON2_13				Monitor input 2
	IOM_REF2_13				Reference input 2
	QSPIO_SLSO13			O3	Master slave select output
	—			O4	Reserved
	CAN02_TXD			O5	CAN transmit output node 2
	IOM_MON2_7			O6	Monitor input 2
	IOM_REF2_7				Reference input 2
	ASCLIN1_ASCLK			O6	Shift clock output
—	O7	Reserved			
SDMMC0_DAT7	O	write data out			
A18	P15.1	I	FAST / PU1 / VEXT / ES	General-purpose input	
	GTM_TIM3_IN4_4			Mux input channel 4 of TIM module 3	
	GTM_TIM2_IN4_4			Mux input channel 4 of TIM module 2	
	CAN02_RXDA			CAN receive input node 2	
	ASCLIN1_ARXA			Receive input	
	QSPI2_SLSIB			Slave select input	
	SCU_E_REQ7_2			ERU Channel 7 inputs 0 to 5 (0 is the LSB and 5 is the MSB)	
	P15.1			O0	General-purpose output
	GTM_TOUT72			O1	GTM muxed output
	ASCLIN1_ATX			O2	Transmit output
	IOM_MON2_13				Monitor input 2
	IOM_REF2_13				Reference input 2
	QSPI2_SLSO5			O3	Master slave select output
	—			O4	Reserved
	—			O5	Reserved
—	O6	Reserved			
SDMMC0_CLK	O7	card clock			

Pin Definition and Functions: LFBGA-292 Package Variant Pin Configuration

Table 2-33 Port 15 Functions (cont'd)

Ball	Symbol	Ctrl.	Buffer Type	Function
C19	P15.2	I	FAST / PU1 / VEXT / ES	General-purpose input
	GTM_TIM3_IN5_4			Mux input channel 5 of TIM module 3
	GTM_TIM2_IN5_4			Mux input channel 5 of TIM module 2
	QSPI2_SLSIA			Slave select input
	SENT_SENT10D			Receive input channel 10
	QSPI2_MRSTE			Master SPI data input
	QSPI2_HSIICINA			Highspeed capture channel
	P15.2	O0	General-purpose output	
	GTM_TOUT73	O1	GTM muxed output	
	ASCLIN0_ATX	O2	Transmit output	
	IOM_MON2_12		Monitor input 2	
	IOM_REF2_12		Reference input 2	
	QSPI2_SLSO0	O3	Master slave select output	
	—	O4	Reserved	
	CAN01_TXD	O5	CAN transmit output node 1	
	IOM_MON2_6		Monitor input 2	
	IOM_REF2_6		Reference input 2	
ASCLIN0_ASCLK	O6	Shift clock output		
—	O7	Reserved		
B17	P15.3	I	FAST / PU1 / VEXT / ES	General-purpose input
	GTM_TIM3_IN6_4			Mux input channel 6 of TIM module 3
	GTM_TIM2_IN6_4			Mux input channel 6 of TIM module 2
	CAN01_RXDA			CAN receive input node 1
	ASCLIN0_ARXB			Receive input
	QSPI2_SCLKA			Slave SPI clock inputs
	QSPI2_HSIICINB			Highspeed capture channel
	SDMMC0_CMD_IN	command in		
	P15.3	O0	General-purpose output	
	GTM_TOUT74	O1	GTM muxed output	
	ASCLIN0_ATX	O2	Transmit output	
	IOM_MON2_12		Monitor input 2	
	IOM_REF2_12		Reference input 2	
	QSPI2_SCLK	O3	Master SPI clock output	
	—	O4	Reserved	
	MSC0_EN1	O5	Chip Select	
	—	O6	Reserved	
—	O7	Reserved		
SDMMC0_CMD	O	command out		

Pin Definition and Functions: LFBGA-292 Package Variant Pin Configuration

Table 2-33 Port 15 Functions (cont'd)

Ball	Symbol	Ctrl.	Buffer Type	Function
A17	P15.4	I	FAST / PU1 / VEXT / ES	General-purpose input
	GTM_TIM3_IN7_4			Mux input channel 7 of TIM module 3
	GTM_TIM2_IN7_4			Mux input channel 7 of TIM module 2
	I2C0_SCLC			Serial Clock Input 2
	QSPI2_MRSTA			Master SPI data input
	SCU_E_REQ0_0			ERU Channel 0 inputs 0 to 5 (0 is the LSB and 5 is the MSB)
	SENT_SENT11D			Receive input channel 11
	P15.4			O0
	GTM_TOUT75	O1	GTM muxed output	
	ASCLIN1_ATX	O2	Transmit output	
	IOM_MON2_13		Monitor input 2	
	IOM_REF2_13		Reference input 2	
	QSPI2_MRST	O3	Slave SPI data output	
	IOM_MON2_2		Monitor input 2	
	IOM_REF2_2		Reference input 2	
	—	O4	Reserved	
	—	O5	Reserved	
	I2C0_SCL	O6	Serial Clock Output	
	CCU60_CC62	O7	T12 PWM channel 62	
	IOM_MON1_0		Monitor input 1	
IOM_REF1_4	Reference input 1			

Pin Definition and Functions: LFBGA-292 Package Variant Pin Configuration

Table 2-33 Port 15 Functions (cont'd)

Ball	Symbol	Ctrl.	Buffer Type	Function	
E14	P15.5	I	FAST / PU1 / VEXT / ES	General-purpose input	
	GTM_TIM3_IN0_4			Mux input channel 0 of TIM module 3	
	GTM_TIM2_IN0_4			Mux input channel 0 of TIM module 2	
	ASCLIN1_ARXB			Receive input	
	I2C0_SDAC			Serial Data Input 2	
	QSPI2_MTSRA			Slave SPI data input	
	SCU_E_REQ4_3			ERU Channel 4 inputs 0 to 5 (0 is the LSB and 5 is the MSB)	
	P15.5			O0	General-purpose output
	GTM_TOUT76			O1	GTM muxed output
	ASCLIN1_ATX			O2	Transmit output
	IOM_MON2_13				Monitor input 2
	IOM_REF2_13				Reference input 2
	QSPI2_MTSR			O3	Master SPI data output
	—			O4	Reserved
	MSC0_EN0			O5	Chip Select
	I2C0_SDA			O6	Serial Data Output
	CCU60_CC61			O7	T12 PWM channel 61
IOM_MON1_1	Monitor input 1				
IOM_REF1_5	Reference input 1				
A16	P15.6	I	FAST / PU1 / VEXT / ES	General-purpose input	
	GTM_TIM2_IN2_14			Mux input channel 2 of TIM module 2	
	GTM_TIM1_IN0_6			Mux input channel 0 of TIM module 1	
	GTM_TIM0_IN0_6			Mux input channel 0 of TIM module 0	
	QSPI2_MTSRB			Slave SPI data input	
	P15.6			O0	General-purpose output
	GTM_TOUT77			O1	GTM muxed output
	ASCLIN3_ATX			O2	Transmit output
	IOM_MON2_15				Monitor input 2
	IOM_REF2_15				Reference input 2
	QSPI2_MTSR			O3	Master SPI data output
	QSPI5_SLSO3			O4	Master slave select output
	QSPI2_SCLK			O5	Master SPI clock output
	ASCLIN3_ASCLK			O6	Shift clock output
	CCU60_CC60				T12 PWM channel 60
IOM_MON1_2	Monitor input 1				
IOM_REF1_6	O7	Reference input 1			

Pin Definition and Functions: LFBGA-292 Package Variant Pin Configuration

Table 2-33 Port 15 Functions (cont'd)

Ball	Symbol	Ctrl.	Buffer Type	Function
D15	P15.7	I	FAST / PU1 / VEXT / ES	General-purpose input
	GTM_TIM1_IN1_5			Mux input channel 1 of TIM module 1
	GTM_TIM0_IN1_5			Mux input channel 1 of TIM module 0
	ASCLIN3_ARXA			Receive input
	QSPI2_MRSTB			Master SPI data input
	P15.7	O0	General-purpose output	
	GTM_TOUT78	O1	GTM muxed output	
	ASCLIN3_ATX	O2	Transmit output	
	IOM_MON2_15	O3	Monitor input 2	
	IOM_REF2_15		Reference input 2	
	QSPI2_MRST		Slave SPI data output	
	IOM_MON2_2	O4	Monitor input 2	
	IOM_REF2_2		Reference input 2	
	—		Reserved	
	—	O5	Reserved	
	—	O6	Reserved	
	CCU60_COUT60	O7	T12 PWM channel 60	
IOM_MON1_3	Monitor input 1			
IOM_REF1_3	Reference input 1			
D14	P15.8	I	FAST / PU1 / VEXT / ES	General-purpose input
	GTM_TIM1_IN2_5			Mux input channel 2 of TIM module 1
	GTM_TIM0_IN2_5			Mux input channel 2 of TIM module 0
	QSPI2_SCLKB			Slave SPI clock inputs
	SCU_E_REQ5_0			ERU Channel 5 inputs 0 to 5 (0 is the LSB and 5 is the MSB)
	P15.8	O0	General-purpose output	
	GTM_TOUT79	O1	GTM muxed output	
	—	O2	Reserved	
	QSPI2_SCLK	O3	Master SPI clock output	
	—	O4	Reserved	
	—	O5	Reserved	
	ASCLIN3_ASCLK	O6	Shift clock output	
	CCU60_COUT61	O7	T12 PWM channel 61	
	IOM_MON1_4		Monitor input 1	
IOM_REF1_2	Reference input 1			

Pin Definition and Functions: LFBGA-292 Package Variant Pin Configuration

Table 2-34 Port 20 Functions

Ball	Symbol	Ctrl.	Buffer Type	Function
H20	P20.0	I	FAST / PU1 / VEXT / ES	General-purpose input
	GTM_TIM1_IN6_7			Mux input channel 6 of TIM module 1
	GTM_TIM1_IN4_9			Mux input channel 4 of TIM module 1
	GTM_TIM0_IN6_7			Mux input channel 6 of TIM module 0
	CAN03_RXDC			CAN receive input node 3
	CCU_PAD_SYSCCLK			Sysclk input
	CAN21_RXDC			CAN receive input node 1
	CBS_TGI0			Trigger input
	SCU_E_REQ6_0			ERU Channel 6 inputs 0 to 5 (0 is the LSB and 5 is the MSB)
	GPT120_T6EUDA			Count direction control input of core timer T6
	P20.0	O0	General-purpose output	
	GTM_TOUT59	O1	GTM muxed output	
	ASCLIN3_ATX	O2	Transmit output	
	IOM_MON2_15		Monitor input 2	
	IOM_REF2_15		Reference input 2	
	ASCLIN3_ASCLK	O3	Shift clock output	
	—	O4	Reserved	
	HSCT0_SYSCCLK_OUT	O5	sys clock output	
	—	O6	Reserved	
	—	O7	Reserved	
CBS_TGO0	O	Trigger output		
G19	P20.1	I	SLOW / PU1 / VEXT / ES	General-purpose input
	GTM_TIM4_IN4_11			Mux input channel 4 of TIM module 4
	GTM_TIM3_IN3_5			Mux input channel 3 of TIM module 3
	GTM_TIM2_IN3_5			Mux input channel 3 of TIM module 2
	CBS_TGI1			Trigger input
	GTM_DTMA1_1			CDTM1_DTM4
	P20.1	O0	General-purpose output	
	GTM_TOUT60	O1	GTM muxed output	
	—	O2	Reserved	
	—	O3	Reserved	
	—	O4	Reserved	
	—	O5	Reserved	
	—	O6	Reserved	
	—	O7	Reserved	
	CBS_TGO1	O	Trigger output	

Pin Definition and Functions: LFBGA-292 Package Variant Pin Configuration

Table 2-34 Port 20 Functions (cont'd)

Ball	Symbol	Ctrl.	Buffer Type	Function
H19	P20.2	I	S / PU / VEXT	General-purpose input This pin is latched at power on reset release to enter test mode.
	$\overline{\text{TESTMODE}}$			Testmode Enable Input
G20	P20.3	I	SLOW / PU1 / VEXT / ES	General-purpose input
	GTM_TIM4_IN5_11			Mux input channel 5 of TIM module 4
	GTM_TIM3_IN4_5			Mux input channel 4 of TIM module 3
	GTM_TIM2_IN4_5			Mux input channel 4 of TIM module 2
	ASCLIN3_ARXC			Receive input
	GPT120_T6INA			Trigger/gate input of core timer T6
	P20.3	O0		General-purpose output
	GTM_TOUT61	O1		GTM muxed output
	ASCLIN3_ATX	O2		Transmit output
	IOM_MON2_15			Monitor input 2
	IOM_REF2_15			Reference input 2
	QSPIO_SLSO9	O3		Master slave select output
	QSPI2_SLSO9	O4		Master slave select output
	CAN03_TXD	O5		CAN transmit output node 3
	IOM_MON2_8			Monitor input 2
	IOM_REF2_8			Reference input 2
	CAN21_TXD	O6		CAN transmit output node 1
—	O7	Reserved		
F17	P20.6	I	SLOW / PU1 / VEXT / ES	General-purpose input
	GTM_TIM6_IN0_1			Mux input channel 0 of TIM module 6
	GTM_TIM3_IN6_5			Mux input channel 6 of TIM module 3
	GTM_TIM2_IN6_5			Mux input channel 6 of TIM module 2
	CAN12_RXDA			CAN receive input node 2
	ASCLIN9_ARXE			Receive input
	P20.6	O0		General-purpose output
	GTM_TOUT62	O1		GTM muxed output
	ASCLIN1_ARTS	O2		Ready to send output
	QSPIO_SLSO8	O3		Master slave select output
	QSPI2_SLSO8	O4		Master slave select output
	—	O5		Reserved
	—	O6		Reserved
	—	O7		Reserved

Pin Definition and Functions: LFBGA-292 Package Variant Pin Configuration

Table 2-34 Port 20 Functions (cont'd)

Ball	Symbol	Ctrl.	Buffer Type	Function	
F19	P20.7	I	FAST / PU1 / VEXT / ES	General-purpose input	
	GTM_TIM3_IN7_5			Mux input channel 7 of TIM module 3	
	GTM_TIM2_IN7_5			Mux input channel 7 of TIM module 2	
	GTM_TIM1_IN5_8			Mux input channel 5 of TIM module 1	
	GTM_TIM6_IN1_1			Mux input channel 1 of TIM module 6	
	CAN00_RXDB			CAN receive input node 0	
	ASCLIN1_ACTSA			Clear to send input	
	ASCLIN9_ARXF			Receive input	
	SDMMC0_DAT0_IN			read data in	
	P20.7			O0	General-purpose output
	GTM_TOUT63	O1	GTM muxed output		
	ASCLIN9_ATX	O2	Transmit output		
	—	O3	Reserved		
	—	O4	Reserved		
	CAN12_TXD	O5	CAN transmit output node 2		
	—	O6	Reserved		
	CCU61_COUT63	O7	T13 PWM channel 63		
	IOM_MON1_7		Monitor input 1		
	IOM_REF1_7		Reference input 1		
SDMMC0_DAT0	O	write data out			
F20	P20.8	I	FAST / PU1 / VEXT / ES	General-purpose input	
	GTM_TIM6_IN2_1			Mux input channel 2 of TIM module 6	
	GTM_TIM1_IN7_3			Mux input channel 7 of TIM module 1	
	GTM_TIM0_IN7_3			Mux input channel 7 of TIM module 0	
	SDMMC0_DAT1_IN			read data in	
	P20.8			O0	General-purpose output
	GTM_TOUT64			O1	GTM muxed output
	ASCLIN1_ASLSO			O2	Slave select signal output
	QSPI0_SLSO0			O3	Master slave select output
	QSPI1_SLSO0			O4	Master slave select output
	CAN00_TXD	O5	CAN transmit output node 0		
	IOM_MON2_5		Monitor input 2		
	IOM_REF2_5		Reference input 2		
	—	O6	Reserved		
	CCU61_CC60	O7	T12 PWM channel 60		
	IOM_MON1_8		Monitor input 1		
	IOM_REF1_13		Reference input 1		
	SDMMC0_DAT1	O	write data out		

Pin Definition and Functions: LFBGA-292 Package Variant Pin Configuration

Table 2-34 Port 20 Functions (cont'd)

Ball	Symbol	Ctrl.	Buffer Type	Function	
E17	P20.9	I	FAST / PU1 / VEXT / ES	General-purpose input	
	GTM_TIM6_IN3_1			Mux input channel 3 of TIM module 6	
	GTM_TIM3_IN5_5			Mux input channel 5 of TIM module 3	
	GTM_TIM2_IN5_5			Mux input channel 5 of TIM module 2	
	CAN03_RXDE			CAN receive input node 3	
	ASCLIN1_ARXC			Receive input	
	QSPIO_SLSIB			Slave select input	
	SCU_E_REQ7_0			ERU Channel 7 inputs 0 to 5 (0 is the LSB and 5 is the MSB)	
	P20.9			O0	General-purpose output
	GTM_TOUT65			O1	GTM muxed output
	—			O2	Reserved
	QSPIO_SLSO1			O3	Master slave select output
	QSPIO_SLSO1			O4	Master slave select output
	—	O5	Reserved		
	—	O6	Reserved		
	CCU61_CC61	O7	T12 PWM channel 61		
	IOM_MON1_9		Monitor input 1		
	IOM_REF1_12		Reference input 1		
	E19	P20.10	I	FAST / PU1 / VEXT / ES	General-purpose input
GTM_TIM3_IN6_6		Mux input channel 6 of TIM module 3			
GTM_TIM2_IN6_6		Mux input channel 6 of TIM module 2			
SDMMC0_DAT2_IN		read data in			
P20.10		O0			General-purpose output
GTM_TOUT66		O1			GTM muxed output
ASCLIN1_ATX		O2			Transmit output
IOM_MON2_13					Monitor input 2
IOM_REF2_13					Reference input 2
QSPIO_SLSO6		O3			Master slave select output
QSPIO_SLSO7		O4			Master slave select output
CAN03_TXD		O5			CAN transmit output node 3
IOM_MON2_8					Monitor input 2
IOM_REF2_8			Reference input 2		
ASCLIN1_ASCLK		O6	Shift clock output		
CCU61_CC62		O7	T12 PWM channel 62		
IOM_MON1_10			Monitor input 1		
IOM_REF1_11			Reference input 1		
SDMMC0_DAT2		O	write data out		

Pin Definition and Functions: LFBGA-292 Package Variant Pin Configuration

Table 2-34 Port 20 Functions (cont'd)

Ball	Symbol	Ctrl.	Buffer Type	Function
E20	P20.11	I	FAST / PU1 / VEXT / ES	General-purpose input
	GTM_TIM3_IN7_6			Mux input channel 7 of TIM module 3
	GTM_TIM2_IN7_6			Mux input channel 7 of TIM module 2
	QSPIO_SCLKA			Slave SPI clock inputs
	SDMMC0_DAT3_IN			read data in
	P20.11	O0		General-purpose output
	GTM_TOUT67	O1		GTM muxed output
	—	O2		Reserved
	QSPIO_SCLK	O3		Master SPI clock output
	—	O4		Reserved
	—	O5		Reserved
	—	O6		Reserved
	CCU61_COUT60	O7		T12 PWM channel 60
	IOM_MON1_11			Monitor input 1
	IOM_REF1_10			Reference input 1
SDMMC0_DAT3	O	write data out		
D19	P20.12	I	FAST / PU1 / VEXT / ES	General-purpose input
	GTM_TIM3_IN0_5			Mux input channel 0 of TIM module 3
	GTM_TIM2_IN0_5			Mux input channel 0 of TIM module 2
	QSPIO_MRSTA			Master SPI data input
	SDMMC0_DAT4_IN			read data in
	IOM_PIN_13	GPIO pad input to FPC		
	P20.12	O0		General-purpose output
	GTM_TOUT68	O1		GTM muxed output
	IOM_MON0_13	O2		Monitor input 0
	—			Reserved
	QSPIO_MRST			Slave SPI data output
	IOM_MON2_0	O3		Monitor input 2
	IOM_REF2_0			Reference input 2
	QSPIO_MTSR	O4		Master SPI data output
	—	O5		Reserved
	—	O6		Reserved
	CCU61_COUT61	O7		T12 PWM channel 61
	IOM_MON1_12	O		Monitor input 1
IOM_REF1_9	Reference input 1			
SDMMC0_DAT4	write data out			

Pin Definition and Functions: LFBGA-292 Package Variant Pin Configuration

Table 2-34 Port 20 Functions (cont'd)

Ball	Symbol	Ctrl.	Buffer Type	Function
D20	P20.13	I	FAST / PU1 / VEXT / ES	General-purpose input
	GTM_TIM3_IN1_4			Mux input channel 1 of TIM module 3
	GTM_TIM2_IN1_4			Mux input channel 1 of TIM module 2
	QSPIO_SLSIA			Slave select input
	SDMMC0_DAT5_IN			read data in
	IOM_PIN_14			GPIO pad input to FPC
	P20.13	O0	General-purpose output	
	GTM_TOUT69	O1	GTM muxed output	
	IOM_MON0_14		Monitor input 0	
	—	O2	Reserved	
	QSPIO_SLSO2	O3	Master slave select output	
	QSPIO_SLSO2	O4	Master slave select output	
	QSPIO_SCLK	O5	Master SPI clock output	
	—	O6	Reserved	
	CCU61_COUT62	O7	T12 PWM channel 62	
	IOM_MON1_13		Monitor input 1	
	IOM_REF1_8		Reference input 1	
	SDMMC0_DAT5	O	write data out	
C20	P20.14	I	FAST / PU1 / VEXT / ES	General-purpose input
	GTM_TIM3_IN2_4			Mux input channel 2 of TIM module 3
	GTM_TIM2_IN2_4			Mux input channel 2 of TIM module 2
	QSPIO_MTSRA			Slave SPI data input
	SDMMC0_DAT6_IN			read data in
	IOM_PIN_15			GPIO pad input to FPC
	P20.14	O0	General-purpose output	
	GTM_TOUT70	O1	GTM muxed output	
	IOM_MON0_15		Monitor input 0	
	—	O2	Reserved	
	QSPIO_MTSR	O3	Master SPI data output	
	—	O4	Reserved	
	—	O5	Reserved	
	—	O6	Reserved	
	—	O7	Reserved	
	SDMMC0_DAT6	O	write data out	

Pin Definition and Functions: LFBGA-292 Package Variant Pin Configuration

Table 2-35 Port 21 Functions

Ball	Symbol	Ctrl.	Buffer Type	Function
K17	P21.0	I	LVDS_R X/FAST/ PU1/ VEXT/ ES	General-purpose input
	GTM_TIM4_IN0_11			Mux input channel 0 of TIM module 4
	GTM_TIM3_IN4_6			Mux input channel 4 of TIM module 3
	GTM_TIM2_IN4_6			Mux input channel 4 of TIM module 2
	QSPI4_MRSTDN			Master SPI data input (LVDS N line)
	DMU_FDEST			Enter destructive debug mode
	ASCLIN11_ARXC			Receive input
	HSCT1_RXDN			Rx data
	P21.0	O0	General-purpose output	
	GTM_TOUT51	O1	GTM muxed output	
	ASCLIN11_ATX	O2	Transmit output	
	—	O3	Reserved	
	—	O4	Reserved	
	—	O5	Reserved	
	—	O6	Reserved	
	—	O7	Reserved	
HSM_HSM1	O	Pin Output Value		
J17	P21.1	I	LVDS_R X/FAST/ PU1/ VEXT/ ES	General-purpose input
	GTM_TIM4_IN1_13			Mux input channel 1 of TIM module 4
	GTM_TIM3_IN5_6			Mux input channel 5 of TIM module 3
	GTM_TIM2_IN5_6			Mux input channel 5 of TIM module 2
	QSPI4_MRSTDP			Master SPI data input (LVDS P line)
	ASCLIN11_ARXD			Receive input
	HSCT1_RXDP			Rx data
	GTM_DTMA4_1			CDTM4_DTM4
	P21.1	O0	General-purpose output	
	GTM_TOUT52	O1	GTM muxed output	
	—	O2	Reserved	
	—	O3	Reserved	
	—	O4	Reserved	
	—	O5	Reserved	
	—	O6	Reserved	
	—	O7	Reserved	
HSM_HSM2	O	Pin Output Value		

Pin Definition and Functions: LFBGA-292 Package Variant Pin Configuration

Table 2-35 Port 21 Functions (cont'd)

Ball	Symbol	Ctrl.	Buffer Type	Function	
K19	P21.2	I	LVDS_R X/FAST/ PU1/ VEXT/ ES	General-purpose input	
	GTM_TIM5_IN4_11			Mux input channel 4 of TIM module 5	
	GTM_TIM1_IN0_7			Mux input channel 0 of TIM module 1	
	GTM_TIM0_IN0_7			Mux input channel 0 of TIM module 0	
	QSPI2_MRSTCN			Master SPI data input (LVDS N line)	
	SCU_EMGSTOP_POR T_B			Emergency stop Port Pin B input request	
	ASCLIN3_ARXGN			Differential Receive input (low active)	
	HSCT0_RXDN			Rx data	
	QSPI4_MRSTCN			Master SPI data input (LVDS N line)	
	ASCLIN11_ARXE			Receive input	
	GTM_DTMA1_0			CDTM1_DTM4	
	P21.2			O0	General-purpose output
	GTM_TOUT53			O1	GTM muxed output
	ASCLIN3_ASLSO			O2	Slave select signal output
	—			O3	Reserved
	—			O4	Reserved
GETH_MDC	O5	MDIO clock			
—	O6	Reserved			
—	O7	Reserved			
J19	P21.3	I	LVDS_R X/FAST/ PU1/ VEXT/ ES	General-purpose input	
	GTM_TIM5_IN5_12			Mux input channel 5 of TIM module 5	
	GTM_TIM1_IN1_6			Mux input channel 1 of TIM module 1	
	GTM_TIM0_IN1_6			Mux input channel 1 of TIM module 0	
	QSPI2_MRSTCP			Master SPI data input (LVDS P line)	
	ASCLIN3_ARXGP			Differential Receive input (high active)	
	GETH_MDIOD			MDIO Input	
	HSCT0_RXDP			Rx data	
	QSPI4_MRSTCP			Master SPI data input (LVDS P line)	
	P21.3			O0	General-purpose output
	GTM_TOUT54			O1	GTM muxed output
	ASCLIN11_ASCLK			O2	Shift clock output
	—			O3	Reserved
	—			O4	Reserved
	—			O5	Reserved
	—			O6	Reserved
—	O7	Reserved			
GETH_MDIO	O	MDIO Output			

Pin Definition and Functions: LFBGA-292 Package Variant Pin Configuration

Table 2-35 Port 21 Functions (cont'd)

Ball	Symbol	Ctrl.	Buffer Type	Function
K20	P21.4	I	LVDS_TX / FAST / PU1 / VEXT / ES6	General-purpose input
	GTM_TIM5_IN6_12			Mux input channel 6 of TIM module 5
	GTM_TIM1_IN2_6			Mux input channel 2 of TIM module 1
	GTM_TIM0_IN2_6			Mux input channel 2 of TIM module 0
	P21.4	O0		General-purpose output
	GTM_TOUT55	O1		GTM muxed output
	ASCLIN11_ASLSO	O2		Slave select signal output
	—	O3		Reserved
	—	O4		Reserved
	—	O5		Reserved
	—	O6		Reserved
	—	O7		Reserved
	H SCT0_TXDN	O		Tx data
J20	P21.5	I	LVDS_TX / FAST / PU1 / VEXT / ES6	General-purpose input
	GTM_TIM5_IN7_11			Mux input channel 7 of TIM module 5
	GTM_TIM1_IN3_6			Mux input channel 3 of TIM module 1
	GTM_TIM0_IN3_6			Mux input channel 3 of TIM module 0
	ASCLIN11_ARXF			Receive input
	P21.5	O0		General-purpose output
	GTM_TOUT56	O1		GTM muxed output
	ASCLIN3_ASCLK	O2		Shift clock output
	ASCLIN11_ATX	O3		Transmit output
	—	O4		Reserved
	—	O5		Reserved
	—	O6		Reserved
	—	O7		Reserved
H SCT0_TXDP	O	Tx data		

Pin Definition and Functions: LFBGA-292 Package Variant Pin Configuration

Table 2-35 Port 21 Functions (cont'd)

Ball	Symbol	Ctrl.	Buffer Type	Function
H17	P21.6/TDI	I	FAST / PD / PU2 / VEXT / ES3	General-purpose input PD during Reset and in DAP/DAPE or JTAG mode. After Reset release and when not in DAP/DAPE or JTAG mode: PU. In Standby mode: HighZ.
	GTM_TIM4_IN2_12			Mux input channel 2 of TIM module 4
	GTM_TIM1_IN4_8			Mux input channel 4 of TIM module 1
	GTM_TIM0_IN4_8			Mux input channel 4 of TIM module 0
	GPT120_T5EUDA			Count direction control input of timer T5
	ASCLIN3_ARXF			Receive input
	CBS_TGI2			Trigger input
	TDI			JTAG Module Data Input
	P21.6	O0	General-purpose output	
	GTM_TOUT57	O1	GTM muxed output	
	ASCLIN3_ASLSO	O2	Slave select signal output	
	—	O3	Reserved	
	—	O4	Reserved	
	—	O5	Reserved	
	—	O6	Reserved	
	GPT120_T3OUT	O7	External output for overflow/underflow detection of core timer T3	
	CBS_TGO2	O	Trigger output	
DAP3	I/O	DAP: DAP3 Data I/O		
DAPE1	I/O	DAPE: DAPE1 Data I/O		

Pin Definition and Functions: LFBGA-292 Package Variant Pin Configuration

Table 2-35 Port 21 Functions (cont'd)

Ball	Symbol	Ctrl.	Buffer Type	Function
H16	P21.7/TDO	I	FAST / PU2 / VEXT / ES4	General-purpose input
	GTM_TIM4_IN3_12			Mux input channel 3 of TIM module 4
	GTM_TIM1_IN5_7			Mux input channel 5 of TIM module 1
	GTM_TIM0_IN5_7			Mux input channel 5 of TIM module 0
	GPT120_T5INA			Trigger/gate input of timer T5
	CBS_TGI3			Trigger input
	GETH_RXERB			Receive Error MII
	P21.7	O0	General-purpose output	
	GTM_TOUT58	O1	GTM muxed output	
	ASCLIN3_ATX	O2	Transmit output	
	IOM_MON2_15		Monitor input 2	
	IOM_REF2_15		Reference input 2	
	ASCLIN3_ASCLK		O3	Shift clock output
	—	O4	Reserved	
	—	O5	Reserved	
	—	O6	Reserved	
	GPT120_T6OUT	O7	External output for overflow/underflow detection of core timer T6	
	CBS_TGO3	O	Trigger output	
	DAP2	I/O	DAP: DAP2 Data I/O	
	DAPE2	I/O	DAPE: DAPE2 Data I/O	
TDO	O	JTAG Module Data Output		

Pin Definition and Functions: LFBGA-292 Package Variant Pin Configuration

Table 2-36 Port 22 Functions

Ball	Symbol	Ctrl.	Buffer Type	Function
P20	P22.0	I	LVDS_TX / FAST / PU1 / VEXT / ES6	General-purpose input
	GTM_TIM7_IN3_1			Mux input channel 3 of TIM module 7
	GTM_TIM1_IN1_7			Mux input channel 1 of TIM module 1
	GTM_TIM0_IN1_7			Mux input channel 1 of TIM module 0
	QSPI4_MTSRB			Slave SPI data input
	ASCLIN6_ARXE			Receive input
	P22.0	O0		General-purpose output
	GTM_TOUT47	O1		GTM muxed output
	ASCLIN3_ATXN	O2		Differential Transmit output (low active)
	QSPI4_MTSR	O3		Master SPI data output
	QSPI4_SCLKN	O4		Master SPI clock output (LVDS N line)
	MSC1_FCLN	O5		Shift-clock inverted part of the differential signal
	—	O6		Reserved
	ASCLIN6_ATX	O7		Transmit output
P19	P22.1	I	LVDS_TX / FAST / PU1 / VEXT / ES6	General-purpose input
	GTM_TIM7_IN2_1			Mux input channel 2 of TIM module 7
	GTM_TIM1_IN0_8			Mux input channel 0 of TIM module 1
	GTM_TIM0_IN0_8			Mux input channel 0 of TIM module 0
	QSPI4_MRSTB			Master SPI data input
	ASCLIN7_ARXE			Receive input
	P22.1	O0		General-purpose output
	GTM_TOUT48	O1		GTM muxed output
	ASCLIN3_ATXP	O2		Differential Transmit output (high active)
	QSPI4_MRST	O3		Slave SPI data output
	IOM_MON2_4			Monitor input 2
	IOM_REF2_4			Reference input 2
	QSPI4_SCLKP	O4		Master SPI clock output (LVDS P line)
	MSC1_FCLP	O5		Shift-clock direct part of the differential signal
—	O6	Reserved		
ASCLIN7_ATX	O7	Transmit output		

Pin Definition and Functions: LFBGA-292 Package Variant Pin Configuration

Table 2-36 Port 22 Functions (cont'd)

Ball	Symbol	Ctrl.	Buffer Type	Function
R20	P22.2	I	LVDS_TX / FAST / PU1 / VEXT / ES6	General-purpose input
	GTM_TIM7_IN1_1			Mux input channel 1 of TIM module 7
	GTM_TIM1_IN3_7			Mux input channel 3 of TIM module 1
	GTM_TIM0_IN3_7			Mux input channel 3 of TIM module 0
	QSPI4_SLSIB			Slave select input
	P22.2	O0		General-purpose output
	GTM_TOUT49	O1		GTM muxed output
	ASCLIN5_ATX	O2		Transmit output
	QSPI4_SLSO3	O3		Master slave select output
	QSPI4_MTSRN	O4		Master SPI data output (LVDS N line)
	MSC1_SON	O5		Data output - inverted part of the differential signal
	—	O6		Reserved
	—	O7		Reserved
	HSCT1_TXDN	O		Tx data
R19	P22.3	I	LVDS_TX / FAST / PU1 / VEXT / ES6	General-purpose input
	GTM_TIM7_IN0_1			Mux input channel 0 of TIM module 7
	GTM_TIM1_IN4_4			Mux input channel 4 of TIM module 1
	GTM_TIM0_IN4_4			Mux input channel 4 of TIM module 0
	QSPI4_SCLKB			Slave SPI clock inputs
	ASCLIN5_ARXC			Receive input
	P22.3	O0		General-purpose output
	GTM_TOUT50	O1		GTM muxed output
	—	O2		Reserved
	QSPI4_SCLK	O3		Master SPI clock output
	QSPI4_MTSRP	O4		Master SPI data output (LVDS P line)
	MSC1_SOP	O5		Data output - direct part of the differential signal
	—	O6		Reserved
	HSPDM_MUTE	O7		Mute output from the micro controller which could be used to control an external Transmitter
HSCT1_TXDP	O	Tx data		

Pin Definition and Functions: LFBGA-292 Package Variant Pin Configuration

Table 2-36 Port 22 Functions (cont'd)

Ball	Symbol	Ctrl.	Buffer Type	Function
P16	P22.4	I	FAST / PU1 / VEXT / ES	General-purpose input
	GTM_TIM3_IN0_8			Mux input channel 0 of TIM module 3
	ASCLIN7_ARXF			Receive input
	GTM_DTMA3_0			CDTM3_DTM4
	P22.4	O0		General-purpose output
	GTM_TOUT130	O1		GTM muxed output
	ASCLIN4_ASLSO	O2		Slave select signal output
	—	O3		Reserved
	QSPI0_SLSO12	O4		Master slave select output
	—	O5		Reserved
	CAN13_TXD	O6		CAN transmit output node 3
HSPDM_BS0_OUT	O7	Bit stream 0 output to the pad		
P17	P22.5	I	FAST / PU1 / VEXT / ES	General-purpose input
	GTM_TIM3_IN1_7			Mux input channel 1 of TIM module 3
	QSPI0_MTSRC			Slave SPI data input
	CAN13_RXDC			CAN receive input node 3
	P22.5	O0		General-purpose output
	GTM_TOUT131	O1		GTM muxed output
	ASCLIN4_ATX	O2		Transmit output
	—	O3		Reserved
	QSPI0_MTSR	O4		Master SPI data output
	—	O5		Reserved
	—	O6		Reserved
HSPDM_BS1_OUT	O7	Bit stream 1 output to the pad		

Pin Definition and Functions: LFBGA-292 Package Variant Pin Configuration

Table 2-36 Port 22 Functions (cont'd)

Ball	Symbol	Ctrl.	Buffer Type	Function
N16	P22.6	I	SLOW / PU1 / VEXT / ES	General-purpose input
	GTM_TIM3_IN2_6			Mux input channel 2 of TIM module 3
	GTM_TIM2_IN6_14			Mux input channel 6 of TIM module 2
	QSPIO_MRSTC			Master SPI data input
	ASCLIN4_ARXC			Receive input
	P22.6	O0		General-purpose output
	GTM_TOUT132	O1		GTM muxed output
	—	O2		Reserved
	—	O3		Reserved
	QSPIO_MRST	O4		Slave SPI data output
	IOM_MON2_0			Monitor input 2
	IOM_REF2_0			Reference input 2
	CAN21_TXD	O5		CAN transmit output node 1
	—	O6		Reserved
—	O7	Reserved		
N17	P22.7	I	SLOW / PU1 / VEXT / ES	General-purpose input
	GTM_TIM3_IN3_7			Mux input channel 3 of TIM module 3
	QSPIO_SCLKC			Slave SPI clock inputs
	CAN21_RXDF			CAN receive input node 1
	P22.7	O0		General-purpose output
	GTM_TOUT133	O1		GTM muxed output
	ASCLIN4_ASCLK	O2		Shift clock output
	—	O3		Reserved
	QSPIO_SCLK	O4		Master SPI clock output
	—	O5		Reserved
	—	O6		Reserved
	—	O7		Reserved

Pin Definition and Functions: LFBGA-292 Package Variant Pin Configuration

Table 2-36 Port 22 Functions (cont'd)

Ball	Symbol	Ctrl.	Buffer Type	Function
M16	P22.8	I	SLOW / PU1 / VEXT / ES	General-purpose input
	GTM_TIM5_IN0_4			Mux input channel 0 of TIM module 5
	GTM_TIM3_IN4_7			Mux input channel 4 of TIM module 3
	QSPI0_SCLKB			Slave SPI clock inputs
	P22.8	O0	General-purpose output	
	GTM_TOUT134	O1	GTM muxed output	
	ASCLIN5_ASCLK	O2	Shift clock output	
	—	O3	Reserved	
	QSPI0_SCLK	O4	Master SPI clock output	
	CAN22_TXD	O5	CAN transmit output node 2	
	—	O6	Reserved	
	—	O7	Reserved	
M17	P22.9	I	SLOW / PU1 / VEXT / ES	General-purpose input
	GTM_TIM5_IN1_10			Mux input channel 1 of TIM module 5
	GTM_TIM3_IN5_7			Mux input channel 5 of TIM module 3
	QSPI0_MRSTB			Master SPI data input
	ASCLIN4_ARXD			Receive input
	CAN22_RXDE			CAN receive input node 2
	GTM_DTMA3_1			CDTM3_DTM4
	P22.9	O0	General-purpose output	
	GTM_TOUT135	O1	GTM muxed output	
	—	O2	Reserved	
	—	O3	Reserved	
	QSPI0_MRST	O4	Slave SPI data output	
	IOM_MON2_0		Monitor input 2	
	IOM_REF2_0		Reference input 2	
	—		O5	Reserved
	—	O6	Reserved	
—	O7	Reserved		

Pin Definition and Functions: LFBGA-292 Package Variant Pin Configuration

Table 2-36 Port 22 Functions (cont'd)

Ball	Symbol	Ctrl.	Buffer Type	Function
L16	P22.10	I	SLOW / PU1 / VEXT / ES	General-purpose input
	GTM_TIM5_IN2_8			Mux input channel 2 of TIM module 5
	GTM_TIM3_IN6_7			Mux input channel 6 of TIM module 3
	QSPIO_MTSRB			Slave SPI data input
	P22.10	O0		General-purpose output
	GTM_TOUT136	O1		GTM muxed output
	ASCLIN4_ATX	O2		Transmit output
	—	O3		Reserved
	QSPIO_MTSR	O4		Master SPI data output
	CAN23_TXD	O5		CAN transmit output node 3
	—	O6		Reserved
	—	O7		Reserved
L17	P22.11	I	SLOW / PU1 / VEXT / ES	General-purpose input
	GTM_TIM5_IN3_10			Mux input channel 3 of TIM module 5
	GTM_TIM3_IN7_7			Mux input channel 7 of TIM module 3
	CAN23_RXDE			CAN receive input node 3
	P22.11	O0		General-purpose output
	GTM_TOUT137	O1		GTM muxed output
	ASCLIN4_ASLSO	O2		Slave select signal output
	—	O3		Reserved
	QSPIO_SLSO10	O4		Master slave select output
	—	O5		Reserved
	—	O6		Reserved
	—	O7		Reserved

Pin Definition and Functions: LFBGA-292 Package Variant Pin Configuration

Table 2-37 Port 23 Functions

Ball	Symbol	Ctrl.	Buffer Type	Function
V20	P23.0	I	SLOW / PU1 / VEXT / ES	General-purpose input
	GTM_TIM6_IN7_1			Mux input channel 7 of TIM module 6
	GTM_TIM1_IN5_4			Mux input channel 5 of TIM module 1
	GTM_TIM0_IN5_4			Mux input channel 5 of TIM module 0
	CAN10_RXDC			CAN receive input node 0
	P23.0	O0		General-purpose output
	GTM_TOUT41	O1		GTM muxed output
	—	O2		Reserved
	—	O3		Reserved
	—	O4		Reserved
	—	O5		Reserved
	—	O6		Reserved
	—	O7		Reserved
U19	P23.1	I	FAST / PU1 / VEXT / ES	General-purpose input
	GTM_TIM6_IN6_1			Mux input channel 6 of TIM module 6
	GTM_TIM1_IN6_4			Mux input channel 6 of TIM module 1
	GTM_TIM0_IN6_4			Mux input channel 6 of TIM module 0
	MSC1_SDIO			Upstream asynchronous input signal
	ASCLIN6_ARXF			Receive input
	P23.1	O0		General-purpose output
	GTM_TOUT42	O1		GTM muxed output
	ASCLIN1_ARTS	O2		Ready to send output
	QSPI4_SLSO6	O3		Master slave select output
	GTM_CLK0	O4		CGM generated clock
	CAN10_TXD	O5		CAN transmit output node 0
	CCU_EXTCLK0	O6		External Clock 0
ASCLIN6_ASCLK	O7	Shift clock output		

Pin Definition and Functions: LFBGA-292 Package Variant Pin Configuration

Table 2-37 Port 23 Functions (cont'd)

Ball	Symbol	Ctrl.	Buffer Type	Function
U20	P23.2	I	SLOW / PU1 / VEXT / ES	General-purpose input
	GTM_TIM6_IN5_1			Mux input channel 5 of TIM module 6
	GTM_TIM1_IN6_5			Mux input channel 6 of TIM module 1
	GTM_TIM0_IN6_5			Mux input channel 6 of TIM module 0
	ASCLIN7_ARXC			Receive input
	P23.2	O0		General-purpose output
	GTM_TOUT43	O1		GTM muxed output
	—	O2		Reserved
	—	O3		Reserved
	CAN23_TXD	O4		CAN transmit output node 3
	CAN12_TXD	O5		CAN transmit output node 2
	—	O6		Reserved
	—	O7		Reserved
	T19	P23.3		I
GTM_TIM6_IN4_2		Mux input channel 4 of TIM module 6		
GTM_TIM1_IN7_4		Mux input channel 7 of TIM module 1		
GTM_TIM0_IN7_4		Mux input channel 7 of TIM module 0		
MSC1_INJ0		Injection signal from port		
ASCLIN6_ARXA		Receive input		
CAN12_RXDC		CAN receive input node 2		
CAN23_RXDB		CAN receive input node 3		
P23.3		O0	General-purpose output	
GTM_TOUT44		O1	GTM muxed output	
ASCLIN7_ATX		O2	Transmit output	
—		O3	Reserved	
—		O4	Reserved	
—		O5	Reserved	
—		O6	Reserved	
—		O7	Reserved	

Pin Definition and Functions: LFBGA-292 Package Variant Pin Configuration

Table 2-37 Port 23 Functions (cont'd)

Ball	Symbol	Ctrl.	Buffer Type	Function
T20	P23.4	I	FAST / PU1 / VEXT / ES	General-purpose input
	GTM_TIM6_IN3_2			Mux input channel 3 of TIM module 6
	GTM_TIM1_IN7_5			Mux input channel 7 of TIM module 1
	GTM_TIM0_IN7_5			Mux input channel 7 of TIM module 0
	P23.4	O0		General-purpose output
	GTM_TOUT45	O1		GTM muxed output
	ASCLIN6_ASLSO	O2		Slave select signal output
	QSPI4_SLSO5	O3		Master slave select output
	—	O4		Reserved
	MSC1_EN0	O5		Chip Select
	—	O6		Reserved
	—	O7		Reserved
T17	P23.5	I	FAST / PU1 / VEXT / ES	General-purpose input
	GTM_TIM6_IN2_2			Mux input channel 2 of TIM module 6
	GTM_TIM1_IN2_7			Mux input channel 2 of TIM module 1
	GTM_TIM0_IN2_7			Mux input channel 2 of TIM module 0
	P23.5	O0		General-purpose output
	GTM_TOUT46	O1		GTM muxed output
	ASCLIN6_ATX	O2		Transmit output
	QSPI4_SLSO4	O3		Master slave select output
	—	O4		Reserved
	MSC1_EN1	O5		Chip Select
	CAN22_TXD	O6		CAN transmit output node 2
	—	O7		Reserved
R17	P23.6	I	SLOW / PU1 / VEXT / ES	General-purpose input
	GTM_TIM6_IN1_2			Mux input channel 1 of TIM module 6
	GTM_TIM4_IN2_7			Mux input channel 2 of TIM module 4
	GTM_TIM1_IN2_10			Mux input channel 2 of TIM module 1
	CAN22_RXDC			CAN receive input node 2
	P23.6	O0		General-purpose output
	GTM_TOUT138	O1		GTM muxed output
	—	O2		Reserved
	—	O3		Reserved
	QSPI0_SLSO11	O4		Master slave select output
	CAN11_TXD	O5		CAN transmit output node 1
	—	O6		Reserved
—	O7	Reserved		

Pin Definition and Functions: LFBGA-292 Package Variant Pin Configuration

Table 2-37 Port 23 Functions (cont'd)

Ball	Symbol	Ctrl.	Buffer Type	Function
R16	P23.7	I	SLOW / PU1 / VEXT / ES	General-purpose input
	GTM_TIM6_IN0_2			Mux input channel 0 of TIM module 6
	GTM_TIM4_IN3_7			Mux input channel 3 of TIM module 4
	GTM_TIM1_IN3_10			Mux input channel 3 of TIM module 1
	CAN11_RXDC			CAN receive input node 1
	P23.7	O0	General-purpose output	
	GTM_TOUT139	O1	GTM muxed output	
	—	O2	Reserved	
	—	O3	Reserved	
	—	O4	Reserved	
	—	O5	Reserved	
	—	O6	Reserved	
	—	O7	Reserved	

Table 2-38 Port 32 Functions

Ball	Symbol	Ctrl.	Buffer Type	Function
Y17	P32.0	I	SLOW / PU1 / VEXT / ES	General-purpose input P32.0 / SMPS mode: analog output. External Pass Device gate control for EVRC
	GTM_TIM3_IN2_5			Mux input channel 2 of TIM module 3
	GTM_TIM2_IN2_5			Mux input channel 2 of TIM module 2
	P32.0	O0	General-purpose output	
	GTM_TOUT36	O1	GTM muxed output	
	—	O2	Reserved	
	—	O3	Reserved	
	—	O4	Reserved	
	—	O5	Reserved	
	—	O6	Reserved	
	—	O7	Reserved	

Pin Definition and Functions: LFBGA-292 Package Variant Pin Configuration

Table 2-38 Port 32 Functions (cont'd)

Ball	Symbol	Ctrl.	Buffer Type	Function
W17	P32.1	I	SLOW / PU1 / VEXT / ES	General-purpose input P32.1 / External Pass Device gate control for EVRC
	GTM_TIM3_IN3_15			Mux input channel 3 of TIM module 3
	P32.1	O0		General-purpose output
	GTM_TOUT37	O1		GTM muxed output
	—	O2		Reserved
	—	O3		Reserved
	—	O4		Reserved
	—	O5		Reserved
	—	O6		Reserved
	—	O7		Reserved
Y18	P32.2	I	SLOW / PU1 / VEXT / ES	General-purpose input
	GTM_TIM1_IN3_8			Mux input channel 3 of TIM module 1
	GTM_TIM0_IN3_8			Mux input channel 3 of TIM module 0
	CAN03_RXDB			CAN receive input node 3
	ASCLIN3_ARXD			Receive input
	CAN21_RXDD			CAN receive input node 1
	P32.2			O0
	GTM_TOUT38	O1		GTM muxed output
	ASCLIN3_ATX	O2		Transmit output
	IOM_MON2_15			Monitor input 2
	IOM_REF2_15			Reference input 2
	—			O3
	—	O4		Reserved
	—	O5		Reserved
	PMS_DCDCSYNCO	O6		DC-DC synchronization output
—	O7	Reserved		

Pin Definition and Functions: LFBGA-292 Package Variant Pin Configuration

Table 2-38 Port 32 Functions (cont'd)

Ball	Symbol	Ctrl.	Buffer Type	Function
Y19	P32.3	I	SLOW / PU1 / VEXT / ES	General-purpose input
	GTM_TIM1_IN4_5			Mux input channel 4 of TIM module 1
	GTM_TIM0_IN4_5			Mux input channel 4 of TIM module 0
	P32.3	O0		General-purpose output
	GTM_TOUT39	O1		GTM muxed output
	ASCLIN3_ATX	O2		Transmit output
	IOM_MON2_15			Monitor input 2
	IOM_REF2_15	O3		Reference input 2
	—			Reserved
	ASCLIN3_ASCLK			O4
	CAN03_TXD	O5		CAN transmit output node 3
	IOM_MON2_8	O6		Monitor input 2
	IOM_REF2_8			Reference input 2
	CAN21_TXD	O6		CAN transmit output node 1
	—	O7		Reserved
W18	P32.4	I	FAST / PU1 / VEXT / ES	General-purpose input
	GTM_TIM1_IN5_5			Mux input channel 5 of TIM module 1
	GTM_TIM0_IN5_5			Mux input channel 5 of TIM module 0
	ASCLIN1_ACTSB			Clear to send input
	MSC1_SDI2			Upstream asynchronous input signal
	P32.4	O0		General-purpose output
	GTM_TOUT40	O1		GTM muxed output
	—	O2		Reserved
	—	O3		Reserved
	GTM_CLK1	O4		CGM generated clock
	MSC1_EN0	O5		Chip Select
	CCU_EXTCLK1	O6		External Clock 1
	CCU60_COUT63	O7		T13 PWM channel 63
	IOM_MON1_6			Monitor input 1
	IOM_REF1_0	O		Reference input 1
PMS_DCDCSYNCO	DC-DC synchronization output			

Pin Definition and Functions: LFBGA-292 Package Variant Pin Configuration

Table 2-38 Port 32 Functions (cont'd)

Ball	Symbol	Ctrl.	Buffer Type	Function	
T15	P32.5	I	SLOW / PU1 / VEXT / ES	General-purpose input	
	GTM_TIM5_IN5_9			Mux input channel 5 of TIM module 5	
	GTM_TIM4_IN1_14			Mux input channel 1 of TIM module 4	
	GTM_TIM3_IN5_8			Mux input channel 5 of TIM module 3	
	SENT_SENT10C			Receive input channel 10	
	P32.5			O0	General-purpose output
	GTM_TOUT140			O1	GTM muxed output
	ASCLIN2_ATX			O2	Transmit output
	IOM_MON2_14				Monitor input 2
	IOM_REF2_14				Reference input 2
	—				O3
	—			O4	Reserved
	—			O5	Reserved
	CAN02_TXD			O6	CAN transmit output node 2
	IOM_MON2_7				Monitor input 2
	IOM_REF2_7				Reference input 2
—	O7	Reserved			
U15	P32.6	I	SLOW / PU1 / VEXT / ES	General-purpose input	
	GTM_TIM5_IN6_9			Mux input channel 6 of TIM module 5	
	GTM_TIM4_IN4_15			Mux input channel 4 of TIM module 4	
	GTM_TIM3_IN6_8			Mux input channel 6 of TIM module 3	
	CAN02_RXDC			CAN receive input node 2	
	CBS_TGI4			Trigger input	
	ASCLIN2_ARXF			Receive input	
	ASCLIN6_ARXC			Receive input	
	SENT_SENT11C			Receive input channel 11	
	P32.6			O0	General-purpose output
	GTM_TOUT141			O1	GTM muxed output
	—			O2	Reserved
	—			O3	Reserved
	QSPI2_SLSO12			O4	Master slave select output
	CAN22_TXD			O5	CAN transmit output node 2
	—			O6	Reserved
—	O7	Reserved			
CBS_TGO4	O	Trigger output			

Pin Definition and Functions: LFBGA-292 Package Variant Pin Configuration

Table 2-38 Port 32 Functions (cont'd)

Ball	Symbol	Ctrl.	Buffer Type	Function
U16	P32.7	I	SLOW / PU1 / VEXT / ES	General-purpose input
	GTM_TIM5_IN7_8			Mux input channel 7 of TIM module 5
	GTM_TIM4_IN0_15			Mux input channel 0 of TIM module 4
	GTM_TIM3_IN7_8			Mux input channel 7 of TIM module 3
	CBS_TGI5			Trigger input
	CAN22_RXDB			CAN receive input node 2
	SENT_SENT12C			Receive input channel 12
	P32.7			O0
	GTM_TOUT142	O1	GTM muxed output	
	ASCLIN6_ATX	O2	Transmit output	
	—	O3	Reserved	
	—	O4	Reserved	
	—	O5	Reserved	
	—	O6	Reserved	
	—	O7	Reserved	
	CBS_TGO5	O	Trigger output	

Pin Definition and Functions: LFBGA-292 Package Variant Pin Configuration

Table 2-39 Port 33 Functions

Ball	Symbol	Ctrl.	Buffer Type	Function
W10	P33.0	I	SLOW / PU1 / VEVRSB / ES5	General-purpose input
	GTM_TIM3_IN0_13			Mux input channel 0 of TIM module 3
	GTM_TIM1_IN4_6			Mux input channel 4 of TIM module 1
	GTM_TIM0_IN4_6			Mux input channel 4 of TIM module 0
	EDSADC_ITR0E			Trigger/Gate input, channel 0
	SENT_SENT13C			Receive input channel 13
	IOM_PIN_0			GPIO pad input to FPC
	GTM_DTMT1_2			CDTM1_DTM0
	EVADC_G10CH7			AI
	EVADC_FC7CH0		Analog input FC channel 7	
	P33.0	O0	General-purpose output	
	GTM_TOUT22	O1	GTM muxed output	
	IOM_MON0_0		Monitor input 0	
	IOM_GTM_0		GTM-provided inputs to EXOR combiner	
	ASCLIN5_ATX	O2	Transmit output	
	—	O3	Reserved	
	—	O4	Reserved	
	—	O5	Reserved	
	EVADC_FC2BFLOUT	O6	Boundary flag output, FC channel 2	
	—	O7	Reserved	

Pin Definition and Functions: LFBGA-292 Package Variant Pin Configuration

Table 2-39 Port 33 Functions (cont'd)

Ball	Symbol	Ctrl.	Buffer Type	Function
Y10	P33.1	I	SLOW / PU1 / VEVRSB / ES5	General-purpose input
	GTM_TIM3_IN1_15			Mux input channel 1 of TIM module 3
	GTM_TIM1_IN5_6			Mux input channel 5 of TIM module 1
	GTM_TIM0_IN5_6			Mux input channel 5 of TIM module 0
	EDSADC_ITR1E			Trigger/Gate input, channel 1
	PSI5_RX0C			RXD inputs (receive data) channel 0
	EDSADC_DSCIN2B			Modulator clock input, channel 2
	SENT_SENT9C			Receive input channel 9
	ASCLIN8_ARXC			Receive input
	IOM_PIN_1			GPIO pad input to FPC
	EVADC_G10CH6	AI	Analog input channel 6, group 10	
	EVADC_FC6CH0		Analog input FC channel 6	
	P33.1	O0	General-purpose output	
	GTM_TOUT23	O1	GTM muxed output	
	IOM_MON0_1		Monitor input 0	
	IOM_GTM_1		GTM-provided inputs to EXOR combiner	
	ASCLIN3_ASLSO	O2	Slave select signal output	
	QSPI2_SCLK	O3	Master SPI clock output	
	EDSADC_DSCOUT2	O4	Modulator clock output	
	EVADC_EMUX02	O5	Control of external analog multiplexer interface 0	
EVADC_FC4BFLOUT	O6	Boundary flag output, FC channel 4		
—	O7	Reserved		

Pin Definition and Functions: LFBGA-292 Package Variant Pin Configuration

Table 2-39 Port 33 Functions (cont'd)

Ball	Symbol	Ctrl.	Buffer Type	Function
W11	P33.2	I	SLOW / PU1 / VEVRSB / ES5	General-purpose input
	GTM_TIM3_IN2_14			Mux input channel 2 of TIM module 3
	GTM_TIM1_IN6_6			Mux input channel 6 of TIM module 1
	GTM_TIM0_IN6_6			Mux input channel 6 of TIM module 0
	EDSADC_ITR2E			Trigger/Gate input, channel 2
	SENT_SENT8C			Receive input channel 8
	EDSADC_DSDIN2B			Digital datastream input, channel 2
	IOM_PIN_2			GPIO pad input to FPC
	EVADC_G10CH5			AI
	EVADC_FC5CH0	Analog input FC channel 5		
	P33.2	O0	General-purpose output	
	GTM_TOUT24	O1	GTM muxed output	
	IOM_MON0_2		Monitor input 0	
	IOM_GTM_2		GTM-provided inputs to EXOR combiner	
	ASCLIN3_ASCLK	O2	Shift clock output	
	QSPI2_SLSO10	O3	Master slave select output	
	PSI5_TX0	O4	TXD outputs (send data)	
	IOM_MON1_14		Monitor input 1	
	IOM_REF1_14		Reference input 1	
	EVADC_EMUX01	O5	Control of external analog multiplexer interface 0	
	EVADC_FC3BFLOUT	O6	Boundary flag output, FC channel 3	
—	O7	Reserved		

Pin Definition and Functions: LFBGA-292 Package Variant Pin Configuration

Table 2-39 Port 33 Functions (cont'd)

Ball	Symbol	Ctrl.	Buffer Type	Function
Y11	P33.3	I	SLOW / PU1 / VEVRSB / ES5	General-purpose input
	GTM_TIM3_IN3_12			Mux input channel 3 of TIM module 3
	GTM_TIM1_IN7_6			Mux input channel 7 of TIM module 1
	GTM_TIM0_IN7_6			Mux input channel 7 of TIM module 0
	PSI5_RX1C			RXD inputs (receive data) channel 1
	SENT_SENT7C			Receive input channel 7
	EDSADC_DSCIN1B			Modulator clock input, channel 1
	IOM_PIN_3			GPIO pad input to FPC
	EVADC_G10CH4			Analog input channel 4, group 10
	EVADC_FC4CH0	Analog input FC channel 4		
	P33.3	O0	General-purpose output	
	GTM_TOUT25	O1	GTM muxed output	
	IOM_MON0_3		Monitor input 0	
	IOM_GTM_3		GTM-provided inputs to EXOR combiner	
	ASCLIN5_ASCLK	O2	Shift clock output	
	QSPI4_SLSO2	O3	Master slave select output	
	EDSADC_DSCOUT1	O4	Modulator clock output	
	EVADC_EMUX00	O5	Control of external analog multiplexer interface 0	
	EVADC_FC5BFLOUT	O6	Boundary flag output, FC channel 5	
	—	O7	Reserved	

Pin Definition and Functions: LFBGA-292 Package Variant Pin Configuration

Table 2-39 Port 33 Functions (cont'd)

Ball	Symbol	Ctrl.	Buffer Type	Function
W12	P33.4	I	SLOW / PU1 / VEVRSB / ES5	General-purpose input
	GTM_TIM4_IN4_10			Mux input channel 4 of TIM module 4
	GTM_TIM1_IN0_10			Mux input channel 0 of TIM module 1
	GTM_TIM0_IN0_10			Mux input channel 0 of TIM module 0
	EDSADC_ITR0F			Trigger/Gate input, channel 0
	SENT_SENT6C			Receive input channel 6
	EDSADC_DSDIN1B			Digital datastream input, channel 1
	CCU61_CTRAPC			Trap input capture
	ASCLIN5_ARXB			Receive input
	IOM_PIN_4			GPIO pad input to FPC
	GTM_DTMT2_0			CDTM2_DTM0
	EVADC_G10CH3			AI
	P33.4	O0	General-purpose output	
	GTM_TOUT26	O1	GTM muxed output	
	IOM_MON0_4		Monitor input 0	
	IOM_GTM_4		GTM-provided inputs to EXOR combiner	
	ASCLIN2_ARTS	O2	Ready to send output	
	QSPI2_SLSO12	O3	Master slave select output	
	PSI5_TX1	O4	TXD outputs (send data)	
	IOM_MON1_15		Monitor input 1	
EVADC_EMUX12	O5		Control of external analog multiplexer interface 1	
EVADC_FC0BFLOUT	O6		Boundary flag output, FC channel 0	
CAN13_TXD	O7	CAN transmit output node 3		

Pin Definition and Functions: LFBGA-292 Package Variant Pin Configuration

Table 2-39 Port 33 Functions (cont'd)

Ball	Symbol	Ctrl.	Buffer Type	Function
Y12	P33.5	I	SLOW / PU1 / VEVRSB / ES5	General-purpose input
	GTM_TIM4_IN5_10			Mux input channel 5 of TIM module 4
	GTM_TIM1_IN1_8			Mux input channel 1 of TIM module 1
	GTM_TIM0_IN1_8			Mux input channel 1 of TIM module 0
	EDSADC_DSCIN0B			Modulator clock input, channel 0
	EDSADC_ITR1F			Trigger/Gate input, channel 1
	GPT120_T4EUDB			Count direction control input of timer T4
	PSI5S_RXC			RX data input
	ASCLIN2_ACTSB			Clear to send input
	CCU61_CCPOS2C			Hall capture input 2
	PSI5_RX2C			RXD inputs (receive data) channel 2
	SENT_SENT5C			Receive input channel 5
	CAN13_RXDB			CAN receive input node 3
	IOM_PIN_5			GPIO pad input to FPC
	EVADC_G10CH2	AI	Analog input channel 2, group 10	
	P33.5	O0	General-purpose output	
	GTM_TOUT27	O1	GTM muxed output	
	IOM_MON0_5		Monitor input 0	
	IOM_GTM_5		GTM-provided inputs to EXOR combiner	
	QSPIO_SLSO7	O2	Master slave select output	
QSPI1_SLSO7	O3	Master slave select output		
EDSADC_DSCOUT0	O4	Modulator clock output		
EVADC_EMUX11	O5	Control of external analog multiplexer interface 1		
EVADC_FC2BFLOUT	O6	Boundary flag output, FC channel 2		
ASCLIN5_ASLSO	O7	Slave select signal output		

Pin Definition and Functions: LFBGA-292 Package Variant Pin Configuration

Table 2-39 Port 33 Functions (cont'd)

Ball	Symbol	Ctrl.	Buffer Type	Function	
W13	P33.6	I	SLOW / PU1 / VEVRSB / ES5	General-purpose input	
	GTM_TIM1_IN2_9			Mux input channel 2 of TIM module 1	
	GTM_TIM0_IN2_9			Mux input channel 2 of TIM module 0	
	EDSADC_ITR2F			Trigger/Gate input, channel 2	
	GPT120_T2EUDB			Count direction control input of timer T2	
	SENT_SENT4C			Receive input channel 4	
	CCU61_CCPOS1C			Hall capture input 1	
	EDSADC_DSDIN0B			Digital datastream input, channel 0	
	ASCLIN8_ARXD			Receive input	
	IOM_PIN_6			GPIO pad input to FPC	
	GTM_DTMT2_1			CDTM2_DTM0	
	EVADC_G10CH1			AI	Analog input channel 1, group 10
	P33.6			O0	General-purpose output
	GTM_TOUT28	O1	GTM muxed output		
	IOM_MON0_6		Monitor input 0		
	IOM_GTM_6		GTM-provided inputs to EXOR combiner		
	ASCLIN2_ASLSO	O2	Slave select signal output		
	QSPI2_SLSO11	O3	Master slave select output		
	PSI5_TX2	O4	TXD outputs (send data)		
	IOM_REF1_15		Reference input 1		
EVADC_EMUX10	O5	Control of external analog multiplexer interface 1			
EVADC_FC1BFLOUT	O6	Boundary flag output, FC channel 1			
PSI5S_TX	O7	TX data output			

Pin Definition and Functions: LFBGA-292 Package Variant Pin Configuration

Table 2-39 Port 33 Functions (cont'd)

Ball	Symbol	Ctrl.	Buffer Type	Function
Y13	P33.7	I	SLOW / PU1 / VEVRSB / ES5	General-purpose input
	GTM_TIM1_IN3_9			Mux input channel 3 of TIM module 1
	GTM_TIM0_IN3_9			Mux input channel 3 of TIM module 0
	CAN00_RXDE			CAN receive input node 0
	GPT120_T2INB			Trigger/gate input of timer T2
	CCU61_CCPOS0C			Hall capture input 0
	SCU_E_REQ4_0			ERU Channel 4 inputs 0 to 5 (0 is the LSB and 5 is the MSB)
	SENT_SENT14C			Receive input channel 14
	IOM_PIN_7			GPIO pad input to FPC
	EVADC_G10CH0	AI	Analog input channel 0, group 10	
	P33.7	O0	General-purpose output	
	GTM_TOUT29	O1	GTM muxed output	
	IOM_MON0_7	O1	Monitor input 0	
	IOM_GTM_7		GTM-provided inputs to EXOR combiner	
	ASCLIN2_ASCLK	O2	Shift clock output	
	QSPI4_SLSO7	O3	Master slave select output	
	ASCLIN8_ATX	O4	Transmit output	
	—	O5	Reserved	
	EVADC_FC3BFLOUT	O6	Boundary flag output, FC channel 3	
—	O7	Reserved		

Pin Definition and Functions: LFBGA-292 Package Variant Pin Configuration

Table 2-39 Port 33 Functions (cont'd)

Ball	Symbol	Ctrl.	Buffer Type	Function
W14	P33.8	I	FAST / HighZ / VEVR SB	General-purpose input
	GTM_TIM1_IN4_7			Mux input channel 4 of TIM module 1
	GTM_TIM0_IN4_7			Mux input channel 4 of TIM module 0
	ASCLIN2_ARXE			Receive input
	SCU_EMGSTOP_POR T_A			Emergency stop Port Pin A input request
	IOM_PIN_8			GPIO pad input to FPC
	P33.8	O0	General-purpose output	
	GTM_TOUT30	O1	GTM muxed output	
	IOM_MON0_8	O2	Monitor input 0	
	ASCLIN2_ATX		Transmit output	
	IOM_MON2_14		Monitor input 2	
	IOM_REF2_14	Reference input 2		
	QSPI4_SLSO2	O3	Master slave select output	
	—	O4	Reserved	
	CAN00_TXD	O5	CAN transmit output node 0	
	IOM_MON2_5	O6	Monitor input 2	
	IOM_REF2_5		Reference input 2	
	—		Reserved	
	CCU61_COUT62	O7	T12 PWM channel 62	
	IOM_MON1_13	O	Monitor input 1	
IOM_REF1_8	Reference input 1			
SMU_FSP0		FSP[1..0] Output Signals - Generated by SMU_core		

Pin Definition and Functions: LFBGA-292 Package Variant Pin Configuration

Table 2-39 Port 33 Functions (cont'd)

Ball	Symbol	Ctrl.	Buffer Type	Function
Y14	P33.9	I	SLOW / PU1 / VEVRSB / ES5	General-purpose input
	GTM_TIM1_IN1_9			Mux input channel 1 of TIM module 1
	GTM_TIM0_IN1_9			Mux input channel 1 of TIM module 0
	QSPI3_HUSICINA			Highspeed capture channel
	IOM_PIN_9			GPIO pad input to FPC
	P33.9	O0	General-purpose output	
	GTM_TOUT31	O1	GTM muxed output	
	IOM_MON0_9		Monitor input 0	
	ASCLIN2_ATX	O2	Transmit output	
	IOM_MON2_14		Monitor input 2	
	IOM_REF2_14		Reference input 2	
	QSPI4_SLSO1	O3	Master slave select output	
	ASCLIN2_ASCLK	O4	Shift clock output	
	CAN01_TXD	O5	CAN transmit output node 1	
	IOM_MON2_6		Monitor input 2	
	IOM_REF2_6		Reference input 2	
	ASCLIN0_ATX	O6	Transmit output	
	IOM_MON2_12		Monitor input 2	
	IOM_REF2_12		Reference input 2	
	CCU61_CC62	O7	T12 PWM channel 62	
IOM_MON1_10	Monitor input 1			
IOM_REF1_11	Reference input 1			

Pin Definition and Functions: LFBGA-292 Package Variant Pin Configuration

Table 2-39 Port 33 Functions (cont'd)

Ball	Symbol	Ctrl.	Buffer Type	Function
W15	P33.10	I	FAST / PU1 / VEVR SB / ES5	General-purpose input
	GTM_TIM4_IN4_14			Mux input channel 4 of TIM module 4
	GTM_TIM1_IN0_9			Mux input channel 0 of TIM module 1
	GTM_TIM0_IN0_9			Mux input channel 0 of TIM module 0
	QSPI4_SLSIA			Slave select input
	QSPI3_HSICINB			Highspeed capture channel
	CAN01_RXDD			CAN receive input node 1
	ASCLIN0_ARXD			Receive input
	IOM_PIN_10			GPIO pad input to FPC
	P33.10			O0
	GTM_TOUT32	O1	GTM muxed output	
	IOM_MON0_10		Monitor input 0	
	QSPI1_SLSO6	O2	Master slave select output	
	QSPI4_SLSO0	O3	Master slave select output	
	ASCLIN1_ASLSO	O4	Slave select signal output	
	PSI5S_CLK	O5	PSI5S CLK is a clock that can be used on a pin to drive the external PHY.	
	—	O6	Reserved	
	CCU61_COUT61	O7	T12 PWM channel 61	
	IOM_MON1_12		Monitor input 1	
	IOM_REF1_9		Reference input 1	
SMU_FSP1	O	FSP[1..0] Output Signals - Generated by SMU_core		
Y15	P33.11	I	FAST / PU1 / VEVR SB / ES5	General-purpose input
	GTM_TIM1_IN2_8			Mux input channel 2 of TIM module 1
	GTM_TIM0_IN2_8			Mux input channel 2 of TIM module 0
	QSPI4_SCLKA			Slave SPI clock inputs
	IOM_PIN_11			GPIO pad input to FPC
	P33.11	O0	General-purpose output	
	GTM_TOUT33	O1	GTM muxed output	
	IOM_MON0_11		Monitor input 0	
	ASCLIN1_ASCLK	O2	Shift clock output	
	QSPI4_SCLK	O3	Master SPI clock output	
	—	O4	Reserved	
	—	O5	Reserved	
	EDSADC_CGPWMN	O6	Negative carrier generator output	
	CCU61_CC61	O7	T12 PWM channel 61	
	IOM_MON1_9		Monitor input 1	
IOM_REF1_12		Reference input 1		

Pin Definition and Functions: LFBGA-292 Package Variant Pin Configuration

Table 2-39 Port 33 Functions (cont'd)

Ball	Symbol	Ctrl.	Buffer Type	Function
W16	P33.12	I	FAST / PU1 / VEVRSB / ES5	General-purpose input
	GTM_TIM3_IN0_6			Mux input channel 0 of TIM module 3
	GTM_TIM2_IN0_6			Mux input channel 0 of TIM module 2
	QSPI4_MTSRA			Slave SPI data input
	CAN00_RXDD			CAN receive input node 0
	PMS_PINBWKP			PINB (P33.12) pin input
	IOM_PIN_12			GPIO pad input to FPC
	P33.12	O0	General-purpose output	
	GTM_TOUT34	O1	GTM muxed output	
	IOM_MON0_12	O2	Monitor input 0	
	ASCLIN1_ATX		Transmit output	
	IOM_MON2_13		Monitor input 2	
	IOM_REF2_13	Reference input 2		
	QSPI4_MTSR	O3	Master SPI data output	
	ASCLIN1_ASCLK	O4	Shift clock output	
	CAN22_TXD	O5	CAN transmit output node 2	
	EDSADC_CGPWMP	O6	Positive carrier generator output	
	CCU61_COUT60	O7	T12 PWM channel 60	
	IOM_MON1_11		Monitor input 1	
	IOM_REF1_10		Reference input 1	

Pin Definition and Functions: LFBGA-292 Package Variant Pin Configuration

Table 2-39 Port 33 Functions (cont'd)

Ball	Symbol	Ctrl.	Buffer Type	Function
Y16	P33.13	I	FAST / PU1 / VEVRSB / ES5	General-purpose input
	GTM_TIM3_IN1_5			Mux input channel 1 of TIM module 3
	GTM_TIM2_IN1_5			Mux input channel 1 of TIM module 2
	ASCLIN1_ARXF			Receive input
	EDSADC_SGNB			Carrier sign signal input
	QSPI4_MRSTA			Master SPI data input
	MSC1_INJ1			Injection signal from port
	CAN22_RXDA			CAN receive input node 2
	P33.13	O0	General-purpose output	
	GTM_TOUT35	O1	GTM muxed output	
	ASCLIN1_ATX	O2	Transmit output	
	IOM_MON2_13	O2	Monitor input 2	
	IOM_REF2_13		Reference input 2	
	QSPI4_MRST	O3	Slave SPI data output	
	IOM_MON2_4	O3	Monitor input 2	
	IOM_REF2_4		Reference input 2	
	QSPI2_SLSO6	O4	Master slave select output	
	CAN00_TXD	O5	CAN transmit output node 0	
	IOM_MON2_5	O5	Monitor input 2	
	IOM_REF2_5		Reference input 2	
	—	O6	Reserved	
	CCU61_CC60	O7	T12 PWM channel 60	
	IOM_MON1_8	O7	Monitor input 1	
	IOM_REF1_13		Reference input 1	

Pin Definition and Functions: LFBGA-292 Package Variant Pin Configuration

Table 2-39 Port 33 Functions (cont'd)

Ball	Symbol	Ctrl.	Buffer Type	Function
T14	P33.14	I	FAST / PU1 / VEVRSB / ES5	General-purpose input
	GTM_TIM5_IN0_8			Mux input channel 0 of TIM module 5
	GTM_TIM4_IN5_14			Mux input channel 5 of TIM module 4
	GTM_TIM2_IN0_8			Mux input channel 0 of TIM module 2
	QSPI2_SCLKD			Slave SPI clock inputs
	CBS_TGI6			Trigger input
	P33.14	O0	SLOW / PU1 / VEVRSB / ES5	General-purpose output
	GTM_TOUT143	O1		GTM muxed output
	—	O2		Reserved
	QSPI2_SCLK	O3		Master SPI clock output
	—	O4		Reserved
	—	O5		Reserved
	—	O6		Reserved
	CCU60_CC62	O7		T12 PWM channel 62
	IOM_MON1_0	O		Monitor input 1
	IOM_REF1_4			Reference input 1
CBS_TGO6	O	Trigger output		
U14	P33.15	I	SLOW / PU1 / VEVRSB / ES5	General-purpose input
	GTM_TIM5_IN1_9			Mux input channel 1 of TIM module 5
	GTM_TIM4_IN6_12			Mux input channel 6 of TIM module 4
	GTM_TIM2_IN1_7			Mux input channel 1 of TIM module 2
	CBS_TGI7			Trigger input
	P33.15	O0	SLOW / PU1 / VEVRSB / ES5	General-purpose output
	GTM_TOUT144	O1		GTM muxed output
	—	O2		Reserved
	QSPI2_SLSO11	O3		Master slave select output
	—	O4		Reserved
	—	O5		Reserved
	—	O6		Reserved
	CCU60_COUT62	O7		T12 PWM channel 62
	IOM_MON1_5	O		Monitor input 1
	IOM_REF1_1			Reference input 1
	CBS_TGO7	O	Trigger output	

Pin Definition and Functions: LFBGA-292 Package Variant Pin Configuration

Table 2-40 Port 34 Functions

Ball	Symbol	Ctrl.	Buffer Type	Function
U11	P34.1	I	SLOW / PU1 / VEVRSB / ES5	General-purpose input
	GTM_TIM5_IN3_9			Mux input channel 3 of TIM module 5
	GTM_TIM3_IN4_12			Mux input channel 4 of TIM module 3
	GTM_TIM2_IN3_9			Mux input channel 3 of TIM module 2
	EVADC_G10CH11	AI		Analog input channel 11, group 10
	P34.1	O0		General-purpose output
	GTM_TOUT146	O1		GTM muxed output
	ASCLIN4_ATX	O2		Transmit output
	—	O3		Reserved
	CAN00_TXD	O4		CAN transmit output node 0
	IOM_MON2_5			Monitor input 2
	IOM_REF2_5			Reference input 2
	CAN20_TXD	O5		CAN transmit output node 0
	—	O6		Reserved
	CCU60_COUT63	O7		T13 PWM channel 63
IOM_MON1_6	Monitor input 1			
IOM_REF1_0	Reference input 1			
T12	P34.2	I	SLOW / PU1 / VEVRSB / ES	General-purpose input
	GTM_TIM5_IN4_9			Mux input channel 4 of TIM module 5
	GTM_TIM3_IN5_13			Mux input channel 5 of TIM module 3
	GTM_TIM2_IN4_8			Mux input channel 4 of TIM module 2
	ASCLIN4_ARXB			Receive input
	CAN00_RXDG			CAN receive input node 0
	CAN20_RXDC			CAN receive input node 0
	EVADC_G10CH10	AI		Analog input channel 10, group 10
	P34.2	O0		General-purpose output
	GTM_TOUT147	O1		GTM muxed output
	—	O2		Reserved
	—	O3		Reserved
	—	O4		Reserved
	—	O5		Reserved
	—	O6		Reserved
CCU60_CC60	O7	T12 PWM channel 60		
IOM_MON1_2		Monitor input 1		
IOM_REF1_6		Reference input 1		

Pin Definition and Functions: LFBGA-292 Package Variant Pin Configuration

Table 2-40 Port 34 Functions (cont'd)

Ball	Symbol	Ctrl.	Buffer Type	Function
U12	P34.3	I	SLOW / PU1 / VEVRSB / ES	General-purpose input
	GTM_TIM5_IN5_10			Mux input channel 5 of TIM module 5
	GTM_TIM3_IN6_13			Mux input channel 6 of TIM module 3
	GTM_TIM2_IN5_9			Mux input channel 5 of TIM module 2
	EVADC_G10CH9	AI		Analog input channel 9, group 10
	P34.3	O0		General-purpose output
	GTM_TOUT148	O1		GTM muxed output
	ASCLIN4_ASCLK	O2		Shift clock output
	—	O3		Reserved
	QSPI2_SLSO10	O4		Master slave select output
	—	O5		Reserved
	—	O6		Reserved
	CCU60_COUT60	O7		T12 PWM channel 60
	IOM_MON1_3			Monitor input 1
IOM_REF1_3	Reference input 1			
T13	P34.4	I	SLOW / PU1 / VEVRSB / ES	General-purpose input
	GTM_TIM5_IN6_10			Mux input channel 6 of TIM module 5
	GTM_TIM3_IN7_12			Mux input channel 7 of TIM module 3
	GTM_TIM2_IN6_8			Mux input channel 6 of TIM module 2
	QSPI2_MRSTD			Master SPI data input
	EVADC_G10CH8	AI		Analog input channel 8, group 10
	P34.4	O0		General-purpose output
	GTM_TOUT149	O1		GTM muxed output
	ASCLIN4_ASLSO	O2		Slave select signal output
	—	O3		Reserved
	QSPI2_MRST	O4		Slave SPI data output
	IOM_MON2_2			Monitor input 2
	IOM_REF2_2			Reference input 2
	—	O5		Reserved
	EVADC_FC6BFLOUT	O6		Boundary flag output, FC channel 6
	CCU60_CC61	O7		T12 PWM channel 61
IOM_MON1_1	Monitor input 1			
IOM_REF1_5	Reference input 1			

Pin Definition and Functions: LFBGA-292 Package Variant Pin Configuration

Table 2-40 Port 34 Functions (cont'd)

Ball	Symbol	Ctrl.	Buffer Type	Function
U13	P34.5	I	FAST / PU1 / VEVR SB / ES	General-purpose input
	GTM_TIM5_IN7_9			Mux input channel 7 of TIM module 5
	GTM_TIM4_IN7_12			Mux input channel 7 of TIM module 4
	GTM_TIM2_IN7_9			Mux input channel 7 of TIM module 2
	QSPI2_MTSRD			Slave SPI data input
	ASCLIN8_ARXE			Receive input
	P34.5	O0		General-purpose output
	GTM_TOUT150	O1		GTM muxed output
	ASCLIN8_ATX	O2		Transmit output
	—	O3		Reserved
	QSPI2_MTSR	O4		Master SPI data output
	—	O5		Reserved
	EVADC_FC7BFLOUT	O6		Boundary flag output, FC channel 7
	CCU60_COUT61	O7		T12 PWM channel 61
IOM_MON1_4		Monitor input 1		
IOM_REF1_2		Reference input 1		

Table 2-41 Analog Inputs

Ball	Symbol	Ctrl.	Buffer Type	Function
T10	AN0	I	D / HighZ / VDDM	Analog Input 0
	EVADC_G0CH0			Analog input channel 0, group 0
	EDSADC_EDS3PA			Positive analog input channel 3, pin A
U10	AN1	I	D / HighZ / VDDM	Analog Input 1
	EVADC_G0CH1			Analog input channel 1, group 0
	EDSADC_EDS3NA			Negative analog input channel 3, pin A
W9	AN2	I	D / HighZ / VDDM	Analog Input 2
	EVADC_G0CH2			Analog input channel 2, group 0
	EDSADC_EDS0PA			Positive analog input channel 0, pin A
U9	AN3	I	D / HighZ / VDDM	Analog Input 3
	EVADC_G0CH3			Analog input channel 3, group 0
	EDSADC_EDS0NA			Negative analog input channel 0, pin A
T9	AN4	I	D / HighZ / VDDM	Analog Input 4
	EVADC_G11CH0			Analog input channel 0, group 11
	EVADC_G0CH4			Analog input channel 4, group 0
Y9	AN5	I	D / HighZ / VDDM	Analog Input 5
	EVADC_G11CH1			Analog input channel 1, group 11
	EVADC_G0CH5			Analog input channel 5, group 0

Pin Definition and Functions: LFBGA-292 Package Variant Pin Configuration

Table 2-41 Analog Inputs (cont'd)

Ball	Symbol	Ctrl.	Buffer Type	Function
T8	AN6	I	D / HighZ / VDDM	Analog Input 6
	EVADC_G11CH2			Analog input channel 2, group 11
	EVADC_G0CH6			Analog input channel 6, group 0
U8	AN7	I	D / HighZ / VDDM	Analog Input 7
	EVADC_G11CH3			Analog input channel 3, group 11
	EVADC_G0CH7			Analog input channel 7, group 0
W8	AN8	I	D / HighZ / VDDM	Analog Input 8
	EVADC_G11CH4			Analog input channel 4, group 11
	EVADC_G1CH0			Analog input channel 0, group 1
U7	AN9	I	D / HighZ / VDDM	Analog Input 9
	EVADC_G11CH5			Analog input channel 5, group 11
	EVADC_G1CH1			Analog input channel 1, group 1
Y8	AN10	I	D / HighZ / VDDM	Analog Input 10
	EVADC_G11CH6			Analog input channel 6, group 11
	EVADC_G1CH2			Analog input channel 2, group 1
W7	AN11	I	D / HighZ / VDDM	Analog Input 11
	EVADC_G11CH7			Analog input channel 7, group 11
	EVADC_G1CH3			Analog input channel 3, group 1
T7	AN12	I	D / HighZ / VDDM	Analog Input 12
	EVADC_G1CH4			Analog input channel 4, group 1
	EDSADC_EDS0PB			Positive analog input channel 0, pin B
W6	AN13	I	D / HighZ / VDDM	Analog Input 13
	EVADC_G1CH5			Analog input channel 5, group 1
	EDSADC_EDS0NB			Negative analog input channel 0, pin B
U6	AN14	I	D / HighZ / VDDM	Analog Input 14
	EVADC_G1CH6			Analog input channel 6, group 1
	EDSADC_EDS3PB			Positive analog input channel 3, pin B
T6	AN15	I	D / HighZ / VDDM	Analog Input 15
	EVADC_G1CH7			Analog input channel 7, group 1
	EDSADC_EDS3NB			Negative analog input channel 3, pin N
W5	AN16	I	D / HighZ / VDDM	Analog Input 16
	EVADC_G2CH0			Analog input channel 0, group 2
	EVADC_FC0CH0			Analog input FC channel 0
U5	AN17/P40.10	I	S / HighZ / VDDM	Analog Input 17
	SENT_SENT10A			Receive input channel 10
	EVADC_G2CH1			Analog input channel 1, group 2
	EVADC_FC1CH0			Analog input FC channel 1

Pin Definition and Functions: LFBGA-292 Package Variant Pin Configuration

Table 2-41 Analog Inputs (cont'd)

Ball	Symbol	Ctrl.	Buffer Type	Function
W4	AN18/P40.11	I	S / HighZ / VDDM	Analog Input 18
	SENT_SENT11A			Receive input channel 11
	EVADC_G11CH8			Analog input channel 8, group 11
	EVADC_G2CH2			Analog input channel 2, group 2
W3	AN19/P40.12	I	S / HighZ / VDDM	Analog Input 19
	SENT_SENT12A			Receive input channel 12
	EVADC_G11CH9			Analog input channel 9, group 11
	EVADC_G2CH3			Analog input channel 3, group 2
Y3	AN20	I	D / HighZ / VDDM	Analog Input 20
	EVADC_G2CH4			Analog input channel 4, group 2
	EDSADC_EDS2PA			Positive analog input channel 2, pin A
Y2	AN21	I	D / HighZ / VDDM	Analog Input 21
	EVADC_G2CH5			Analog input channel 5, group 2
	EDSADC_EDS2NA			Negative analog input channel 2, pin A
T5	AN22	I	D / HighZ / VDDM	Analog Input 22
	EVADC_G2CH6			Analog input channel 6, group 2
R5	AN23	I	D / HighZ / VDDM	Analog Input 23
	EVADC_G2CH7			Analog input channel 7, group 2
W2	AN24/P40.0	I	S / HighZ / VDDM	Analog Input 24
	SENT_SENT0A			Receive input channel 0
	EVADC_G3CH0			Analog input channel 0, group 3
	CCU60_CCPOS0D			Hall capture input 0
	EDSADC_EDS2PB			Positive analog input channel 2, pin B
W1	AN25/P40.1	I	S / HighZ / VDDM	Analog Input 25
	SENT_SENT1A			Receive input channel 1
	EVADC_G3CH1			Analog input channel 1, group 3
	CCU60_CCPOS1B			Hall capture input 1
	EDSADC_EDS2NB			Negative analog input channel 2, pin B
V2	AN26/P40.2	I	S / HighZ / VDDM	Analog Input 26
	SENT_SENT2A			Receive input channel 2
	EVADC_G3CH2			Analog input channel 2, group 3
	CCU60_CCPOS1D			Hall capture input 1
	EVADC_G11CH10			Analog input channel 10, group 11
V1	AN27/P40.3	I	S / HighZ / VDDM	Analog Input 27
	SENT_SENT3A			Receive input channel 3
	EVADC_G3CH3			Analog input channel 3, group 3
	CCU60_CCPOS2B			Hall capture input 2
	EVADC_G11CH11			Analog input channel 11, group 11

Pin Definition and Functions: LFBGA-292 Package Variant Pin Configuration

Table 2-41 Analog Inputs (cont'd)

Ball	Symbol	Ctrl.	Buffer Type	Function
U2	AN28/P40.13	I	S / HighZ / VDDM	Analog Input 28
	SENT_SENT13A			Receive input channel 13
	EVADC_G3CH4			Analog input channel 4, group 3
	EVADC_G4CH4			Analog input channel 4, group 4
U1	AN29/P40.14	I	S / HighZ / VDDM	Analog Input 29
	SENT_SENT14A			Receive input channel 14
	EVADC_G3CH5			Analog input channel 5, group 3
	EVADC_G4CH5			Analog input channel 5, group 4
T4	AN30	I	D / HighZ / VDDM	Analog Input 30
	EVADC_G3CH6			Analog input channel 6, group 3
	EVADC_G4CH6			Analog input channel 6, group 4
R4	AN31	I	D / HighZ / VDDM	Analog Input 31
	EVADC_G3CH7			Analog input channel 7, group 3
	EVADC_G4CH7			Analog input channel 7, group 4
P4	AN32/P40.4	I	S / HighZ / VDDM	Analog Input 32
	SENT_SENT4A			Receive input channel 4
	EVADC_G8CH0			Analog input channel 0, group 8
	CCU60_CCPOS2D			Hall capture input 2
	EVADC_G11CH12			Analog input channel 12, group 11
R1	AN33/P40.5	I	S / HighZ / VDDM	Analog Input 33
	SENT_SENT5A			Receive input channel 5
	EVADC_G8CH1			Analog input channel 1, group 8
	CCU61_CCPOS0D			Hall capture input 0
	EVADC_G11CH13			Analog input channel 13, group 11
P5	AN34	I	D / HighZ / VDDM	Analog Input 34
	EVADC_G8CH2			Analog input channel 2, group 8
	EVADC_G11CH14			Analog input channel 14, group 11
R2	AN35	I	D / HighZ / VDDM	Analog Input 35
	EVADC_G8CH3			Analog input channel 3, group 8
	EVADC_G11CH15			Analog input channel 15, group 11
N4	AN36/P40.6	I	S / HighZ / VDDM	Analog Input 36
	SENT_SENT6A			Receive input channel 6
	EVADC_G8CH4			Analog input channel 4, group 8
	CCU61_CCPOS1B			Hall capture input 1
	EDSADC_EDS1PA			Positive analog input channel 1, pin A

Pin Definition and Functions: LFBGA-292 Package Variant Pin Configuration

Table 2-41 Analog Inputs (cont'd)

Ball	Symbol	Ctrl.	Buffer Type	Function
P2	AN37/P40.7	I	S / HighZ / VDDM	Analog Input 37
	SENT_SENT7A			Receive input channel 7
	EVADC_G8CH5			Analog input channel 5, group 8
	CCU61_CCPOS1D			Hall capture input 1
	EDSADC_EDS1NA			Negative analog input channel 1, pin A
N5	AN38/P40.8	I	S / HighZ / VDDM	Analog Input 38
	SENT_SENT8A			Receive input channel 8
	EVADC_G8CH6			Analog input channel 6, group 8
	CCU61_CCPOS2B			Hall capture input 2
	EDSADC_EDS1PB			Positive analog input channel 1, pin B
P1	AN39/P40.9	I	S / HighZ / VDDM	Analog Input 39
	SENT_SENT9A			Receive input channel 9
	EVADC_G8CH7			Analog input channel 7, group 8
	CCU61_CCPOS2D			Hall capture input 2
	EDSADC_EDS1NB			Negative analog input channel 1, pin B
M5	AN40	I	D / HighZ / VDDM	Analog Input 40
	EVADC_G8CH8			Analog input channel 8, group 8
	EVADC_G4CH0			Analog input channel 0, group 4
M4	AN41	I	D / HighZ / VDDM	Analog Input 41
	EVADC_G8CH9			Analog input channel 9, group 8
	EVADC_G4CH1			Analog input channel 1, group 4
L5	AN42	I	D / HighZ / VDDM	Analog Input 42
	EVADC_G8CH10			Analog input channel 10, group 8
	EVADC_G4CH2			Analog input channel 2, group 4
L4	AN43	I	D / HighZ / VDDM	Analog Input 43
	EVADC_G8CH11			Analog input channel 11, group 8
	EVADC_G4CH3			Analog input channel 3, group 4
N1	AN44	I	D / HighZ / VDDM	Analog Input 44
	EVADC_G8CH12			Analog input channel 12, group 8
	EDSADC_EDS1PC			Positive analog input channel 1, pin C
N2	AN45	I	D / HighZ / VDDM	Analog Input 45
	EVADC_G8CH13			Analog input channel 13, group 8
	EDSADC_EDS1NC			Negative analog input channel 1, pin C
M1	AN46	I	D / HighZ / VDDM	Analog Input 46
	EVADC_G8CH14			Analog input channel 14, group 8
	EDSADC_EDS1PD			Positive analog input channel 1, pin D

Pin Definition and Functions: LFBGA-292 Package Variant Pin Configuration
Table 2-41 Analog Inputs (cont'd)

Ball	Symbol	Ctrl.	Buffer Type	Function
M2	AN47	I	D / HighZ / VDDM	Analog Input 47
	EVADC_G8CH15			Analog input channel 15, group 8
	EDSADC_EDS1ND			Negative analog input channel 1, pin D

Note: Port Pins P32.0 and P32.1 are bidirectional pads and are having the following two functionalities implemented:

- In case the pins are used as standard GPIOs the functions defined in the pin configuration tables of P32.0 and P32.1 are available.
- In case the pins are used as pre-drivers for external MOSFETs (internal DCDC usecase) P32.0 and P32.1 act as analog IOs named VGATE1N and VGATE1P.

Table 2-42 System I/O

Ball	Symbol	Ctrl.	Buffer Type	Function
L7	AGBTCLKN (VSS)	I	AGBT_C LK / VEXT	Input PAD (negative pole) for the external 100 MHz differential clock. AGBT Input; (TC3xx devices without AGBT: VSS)
K7	AGBTCLKP (VSS)	I	AGBT_C LK / VEXT	Input PAD (positive pole) for the external 100 MHz differential clock. AGBT Input; (TC3xx devices without AGBT: VSS)
P10	AGBTTXN (VSS)	O	AGBT_T X / VEXT	Off-chip driver output PAD of the 2.5Gbps transmitter, negative pole AGBT Output; (TC3xx devices without AGBT: VSS)
P11	AGBTTXP (VSS)	O	AGBT_T X / VEXT	Off-chip driver output PAD of the 2.5Gbps transmitter, positive pole AGBT Output; (TC3xx devices without AGBT: VSS)
L14	AGBTERR (VSS)	I	FAST / PD / VEXT	Input PAD for CRC error from FPGA. AGBT Input; (TC3xx devices without AGBT: VSS)
W17	VGATE1P	O	—	DCDC P ch. MOSFET gate driver output P32.1 / External Pass Device gate control for EVRC
Y17	VGATE1N	O	—	DCDC N ch. MOSFET gate driver output P32.0 / SMPS mode: analog output. External Pass Device gate control for EVRC
M20	XTAL1	I	XTAL / VEXT	XTAL pad1 XTAL1. Main Oscillator/PLL/Clock Generator Input.
M19	XTAL2	O	XTAL / VEXT	XTAL pad2 XTAL2. Main Oscillator/PLL/Clock Generator OUTPUT
K14	DAPE0	I	FAST / PD2 / VEXT	DAPE: DAPE0 Clock Input DAPE: DAPE0 clock input (PD Devices: NC)

Pin Definition and Functions: LFBGA-292 Package Variant Pin Configuration

Table 2-42 System I/O (cont'd)

Ball	Symbol	Ctrl.	Buffer Type	Function
L19	$\overline{\text{TRST}}$	I	FAST /	JTAG Module Reset/Enable Input
	DAPE0	I	PU2 / VEXT	DAPE: DAPE0 Clock Input
K16	TMS	I	FAST /	JTAG Module State Machine Control Input
	DAP1	I/O	PD2 / VEXT	DAP: DAP1 Data I/O
J16	TCK	I	FAST /	JTAG Module Clock Input
	DAP0	I	PD2 / VEXT	DAP: DAP0 Clock Input
G11	DAPE1	I/O	FAST / PD2 / VEXT	DAPE: DAPE1 Data I/O DAPE: DAPE1 Data I/O (PD Devices: VSS)
G10	DAPE2	I/O	FAST / PD2 / VEXT	DAPE: DAPE2 Data I/O DAPE: DAPE2 Data I/O (PD Devices: VSS)
G16	$\overline{\text{ESR1}}$	I/O	FAST / PU1 / VEXT	ESR1 Port Pin input - can be used to trigger a reset or an NMI ESR1: External System Request Reset 1. Default NMI function. See also SCU chapter for details. Default after power-on can be different. See also SCU chapter 'Reset Control Unit' and SCU_IOCR register description. PMS_EVRWUP: EVR Wakeup Pin
	PMS_ESR1WKP	I		ESR1 pin input
F16	$\overline{\text{ESR0}}$	I/O	FAST / OD / VEXT	ESR0 Port Pin input - can be used to trigger a reset or an NMI ESR0: External System Request Reset 0. Default configuration during and after reset is open-drain driver. The driver drives low during power-on reset. This is valid additionally after deactivation of PORST_N until the internal reset phase has finished. See also SCU chapter for details. Default after power-on can be different. See also SCU chapter 'Reset Control Unit' and SCU_IOCR register description. PMS_EVRWUP: EVR Wakeup Pin
	PMS_ESR0WKP	I		ESR0 pin input
G17	$\overline{\text{PORST}}$	I/O	PORST / PD / VEXT	PORST pin Power On Reset Input. Additional strong PD in case of power fail.

Pin Definition and Functions: LFBGA-292 Package Variant Pin Configuration

Table 2-43 Supply

Ball	Symbol	Ctrl.	Buffer Type	Function
P8, P13, N7, N14, E15, H14, D16, G13	VDD	I	—	Digital Core Power Supply (1.25V)
A2, B3, V19, W20	VEXT	I	—	External Power Supply (5V / 3.3V)
D5	VFLEX	I	—	Digital Power Supply for Flex Port Pads (5V / 3.3V)
Y5	VDDM	I	—	ADC Analog Power Supply (5V / 3.3V)
B18, A19	VDDP3	I	—	Flash Power Supply (3.3V)
B2, D4, E5, T16, U17, W19, Y20, E16, D17, B19, A20	VSS	I	—	Digital Ground
Y4	VSSM	I	—	Analog Ground for VDDM
P9, P12, N9, N10, N11, N12, M7, M8, M10, M11, M13, M14, L8, L9, L10, L11, L12, L13, K8, K9, K10, K11, K12, K13, J7, J8, J10, J11, J13, J14, H9, H10, H11, H12, G9, G12	VSS	I	—	Digital Ground
L20	VSS	I	—	Oscillator Ground, VSS(OSC)
Y6	VAREF1	I	—	Positive Analog Reference Voltage 1
Y7	VAGND1	I	—	Negative Analog Reference Voltage 1
T1	VAREF2	I	—	Positive Analog Reference Voltage 2
T2	VAGND2	I	—	Negative Analog Reference Voltage 2
A1, Y1, U4	NC1	I	—	Not connected. These pins are not connected on package level and will not be used for future extensions
G8, H7	VDDSB (VDD)	I	—	Devices with integrated EMEM: EMEM SRAM Standby Power Supply, VDDSB (1.25V); Devices without integrated EMEM: VDD (1.25V)

Pin Definition and Functions: LFBGA-292 Package Variant Pin Configuration

Table 2-43 Supply (cont'd)

Ball	Symbol	Ctrl.	Buffer Type	Function
T11	VEVRSB	I	—	Standby Power Supply (5V / 3.3V) for the Standby SRAM
N19	VDD	I	—	Digital Power Supply for Oscillator (1.25V), VDD(OSC)
N20	VEXT	I	—	Digital Power Supply for Oscillator (shall be supplied with same level as used for VEXT), VEXT(OSC)

2.3 LFBGA-292 ADAS Package Variant Pin Configuration

Table 2-44 Port 00 Functions

Ball	Symbol	Ctrl.	Buffer Type	Function
L2	P00.0	I	FAST / PU1 / VEXT / ES	General-purpose input
	GTM_TIM5_IN4_10			Mux input channel 4 of TIM module 5
	GTM_TIM3_IN0_1			Mux input channel 0 of TIM module 3
	GTM_TIM2_IN0_1			Mux input channel 0 of TIM module 2
	CCU61_CTRAPA			Trap input capture
	CCU60_T12HRE			External timer start 12
	MSC0_INJ0			Injection signal from port
	GETH_MDIOA			MDIO Input
	P00.0			O0
	GTM_TOUT9	O1	GTM muxed output	
	IOM_REF0_9		Reference input 0	
	ASCLIN3_ASCLK	O2	Shift clock output	
	ASCLIN3_ATX	O3	Transmit output	
	IOM_MON2_15		Monitor input 2	
	IOM_REF2_15		Reference input 2	
	—	O4	Reserved	
	CAN10_TXD	O5	CAN transmit output node 0	
	—	O6	Reserved	
	CCU60_COUT63	O7	T13 PWM channel 63	
	IOM_MON1_6		Monitor input 1	
IOM_REF1_0		Reference input 1		
GETH_MDIO	O	MDIO Output		

Pin Definition and Functions: LFBGA-292 ADAS Package Variant Pin

Table 2-44 Port 00 Functions (cont'd)

Ball	Symbol	Ctrl.	Buffer Type	Function
M2	P00.1	I	SLOW / PU1 / VEXT / ES	General-purpose input
	GTM_TIM5_IN5_11			Mux input channel 5 of TIM module 5
	GTM_TIM3_IN1_1			Mux input channel 1 of TIM module 3
	GTM_TIM2_IN1_1			Mux input channel 1 of TIM module 2
	CCU60_CC60INB			T12 capture input 60
	ASCLIN3_ARXE			Receive input
	EDSADC_DSCIN5A			Modulator clock input, channel 5
	CAN10_RXDA			CAN receive input node 0
	PSI5_RX0A			RXD inputs (receive data) channel 0
	CCU61_CC60INA			T12 capture input 60
	SENT_SENT0B			Receive input channel 0
	EDSADC_DSCIN7B			Modulator clock input, channel 7
	EVADC_G9CH11			AI
	EDSADC_EDS5NA		Negative analog input channel 5, pin A	
	P00.1	O0	General-purpose output	
	GTM_TOUT10	O1	GTM muxed output	
	IOM_REF0_10		Reference input 0	
	ASCLIN3_ATX	O2	Transmit output	
	IOM_MON2_15		Monitor input 2	
	IOM_REF2_15		Reference input 2	
	—	O3	Reserved	
	EDSADC_DSCOUT5	O4	Modulator clock output	
	EDSADC_DSCOUT7	O5	Modulator clock output	
	SENT_SPC0	O6	Transmit output	
	CCU61_CC60	O7	T12 PWM channel 60	
	IOM_MON1_8		Monitor input 1	
IOM_REF1_13		Reference input 1		

Pin Definition and Functions: LFBGA-292 ADAS Package Variant Pin

Table 2-44 Port 00 Functions (cont'd)

Ball	Symbol	Ctrl.	Buffer Type	Function
M1	P00.2	I	SLOW / PU1 / VEXT / ES1	General-purpose input
	GTM_TIM5_IN6_11			Mux input channel 6 of TIM module 5
	GTM_TIM3_IN1_2			Mux input channel 1 of TIM module 3
	GTM_TIM2_IN1_2			Mux input channel 1 of TIM module 2
	EDSADC_DSDIN7B			Digital datastream input, channel 7
	EDSADC_DSDIN5A			Digital datastream input, channel 5
	SENT_SENT1B			Receive input channel 1
	EVADC_G9CH10	AI	Analog input channel 10, group 9	
	EDSADC_EDS5PA		Positive analog input channel 5, pin A	
	P00.2	O0	General-purpose output	
	GTM_TOUT11	O1	GTM muxed output	
	IOM_REF0_11		Reference input 0	
	ASCLIN3_ASCLK	O2	Shift clock output	
	CAN21_TXD	O3	CAN transmit output node 1	
	PSI5_TX0	O4	TXD outputs (send data)	
	IOM_MON1_14		Monitor input 1	
	IOM_REF1_14		Reference input 1	
	CAN03_TXD	O5	CAN transmit output node 3	
	IOM_MON2_8		Monitor input 2	
	IOM_REF2_8		Reference input 2	
	QSPI3_SLSO4	O6	Master slave select output	
	CCU61_COUT60	O7	T12 PWM channel 60	
	IOM_MON1_11		Monitor input 1	
	IOM_REF1_10		Reference input 1	

Pin Definition and Functions: LFBGA-292 ADAS Package Variant Pin

Table 2-44 Port 00 Functions (cont'd)

Ball	Symbol	Ctrl.	Buffer Type	Function
M4	P00.3	I	SLOW / PU1 / VEXT / ES1	General-purpose input
	GTM_TIM5_IN7_10			Mux input channel 7 of TIM module 5
	GTM_TIM3_IN2_1			Mux input channel 2 of TIM module 3
	GTM_TIM2_IN2_1			Mux input channel 2 of TIM module 2
	CCU60_CC61INB			T12 capture input 61
	EDSADC_DSCIN3A			Modulator clock input, channel 3
	EDSADC_ITR5F			Trigger/Gate input, channel 5
	PSI5_RX1A			RXD inputs (receive data) channel 1
	CAN03_RXDA			CAN receive input node 3
	CAN21_RXDA			CAN receive input node 1
	PSI5S_RXA			RX data input
	SENT_SENT2B			Receive input channel 2
	CCU61_CC61INA			T12 capture input 61
	EVADC_G9CH9			AI
	EDSADC_EDS5NB		Negative analog input channel 5, pin B	
	P00.3	O0	General-purpose output	
	GTM_TOUT12	O1	GTM muxed output	
	IOM_REF0_12		Reference input 0	
	ASCLIN3_ASLSO	O2	Slave select signal output	
	—	O3	Reserved	
	EDSADC_DSCOUT3	O4	Modulator clock output	
	—	O5	Reserved	
	SENT_SPC2	O6	Transmit output	
CCU61_CC61	O7	T12 PWM channel 61		
IOM_MON1_9		Monitor input 1		
IOM_REF1_12		Reference input 1		

Pin Definition and Functions: LFBGA-292 ADAS Package Variant Pin

Table 2-44 Port 00 Functions (cont'd)

Ball	Symbol	Ctrl.	Buffer Type	Function
M5	P00.4	I	SLOW / PU1 / VEXT / ES1	General-purpose input
	GTM_TIM6_IN4_1			Mux input channel 4 of TIM module 6
	GTM_TIM3_IN3_1			Mux input channel 3 of TIM module 3
	GTM_TIM2_IN3_1			Mux input channel 3 of TIM module 2
	SCU_E_REQ2_2			ERU Channel 2 inputs 0 to 5 (0 is the LSB and 5 is the MSB)
	SENT_SENT3B			Receive input channel 3
	EDSADC_DSDIN3A			Digital datastream input, channel 3
	EDSADC_SGNA			Carrier sign signal input
	ASCLIN10_ARXA			Receive input
	GTM_DTMA5_0			CDTM5_DTM4
	GTM_DTMT3_0			CDTM3_DTM0
	EVADC_G9CH8			AI
	EDSADC_EDS5PB		Positive analog input channel 5, pin B	
	P00.4	O0	General-purpose output	
	GTM_TOUT13	O1	GTM muxed output	
	IOM_REF0_13		Reference input 0	
	PSI5S_TX	O2	TX data output	
	CAN11_TXD	O3	CAN transmit output node 1	
	PSI5_TX1	O4	TXD outputs (send data)	
	IOM_MON1_15		Monitor input 1	
EVADC_FC4BFLOUT	O5	Boundary flag output, FC channel 4		
SENT_SPC3	O6	Transmit output		
CCU61_COUT61	O7	T12 PWM channel 61		
IOM_MON1_12		Monitor input 1		
IOM_REF1_9		Reference input 1		

Pin Definition and Functions: LFBGA-292 ADAS Package Variant Pin

Table 2-44 Port 00 Functions (cont'd)

Ball	Symbol	Ctrl.	Buffer Type	Function
N5	P00.5	I	SLOW / PU1 / VEXT / ES1	General-purpose input
	GTM_TIM3_IN4_1			Mux input channel 4 of TIM module 3
	GTM_TIM3_IN0_11			Mux input channel 0 of TIM module 3
	GTM_TIM2_IN4_1			Mux input channel 4 of TIM module 2
	CCU60_CC62INB			T12 capture input 62
	EDSADC_DSCIN2A			Modulator clock input, channel 2
	PSI5_RX2A			RXD inputs (receive data) channel 2
	CCU61_CC62INA			T12 capture input 62
	SENT_SENT4B			Receive input channel 4
	CAN11_RXDB			CAN receive input node 1
	GTM_DTMT1_1			CDTM1_DTM0
	GTM_DTMT4_2			CDTM4_DTM0
	EVADC_G9CH7			AI
	P00.5	O0	General-purpose output	
	GTM_TOUT14	O1	GTM muxed output	
	IOM_REF0_14		Reference input 0	
	EDSADC_CGPWMN	O2	Negative carrier generator output	
	QSPI3_SLSO3	O3	Master slave select output	
	EDSADC_DSCOUT2	O4	Modulator clock output	
	EVADC_FC0BFLOUT	O5	Boundary flag output, FC channel 0	
	SENT_SPC4	O6	Transmit output	
CCU61_CC62	O7	T12 PWM channel 62		
IOM_MON1_10		Monitor input 1		
IOM_REF1_11		Reference input 1		

Pin Definition and Functions: LFBGA-292 ADAS Package Variant Pin

Table 2-44 Port 00 Functions (cont'd)

Ball	Symbol	Ctrl.	Buffer Type	Function
N4	P00.6	I	SLOW / PU1 / VEXT / ES1	General-purpose input
	GTM_TIM3_IN5_1			Mux input channel 5 of TIM module 3
	GTM_TIM3_IN1_14			Mux input channel 1 of TIM module 3
	GTM_TIM2_IN5_1			Mux input channel 5 of TIM module 2
	EDSADC_ITR4F			Trigger/Gate input, channel 4
	EDSADC_DSDIN2A			Digital datastream input, channel 2
	SENT_SENT5B			Receive input channel 5
	ASCLIN5_ARXA			Receive input
	GTM_DTMA6_0			CDTM6_DTM4
	GTM_DTMT3_1			CDTM3_DTM0
	EVADC_G9CH6	AI	Analog input channel 6, group 9	
	P00.6	O0	General-purpose output	
	GTM_TOUT15	O1	GTM muxed output	
	IOM_REF0_15		Reference input 0	
	EDSADC_CGPWMP	O2	Positive carrier generator output	
	EVADC_FC5BFLOUT	O3	Boundary flag output, FC channel 5	
	PSI5_TX2	O4	TXD outputs (send data)	
	IOM_REF1_15		Reference input 1	
	EVADC_EMUX10	O5	Control of external analog multiplexer interface 1	
	SENT_SPC5	O6	Transmit output	
CCU61_COUT62	O7	T12 PWM channel 62		
IOM_MON1_13		Monitor input 1		
IOM_REF1_8		Reference input 1		

Pin Definition and Functions: LFBGA-292 ADAS Package Variant Pin

Table 2-44 Port 00 Functions (cont'd)

Ball	Symbol	Ctrl.	Buffer Type	Function
N2	P00.7	I	SLOW / PU1 / VEXT / ES1	General-purpose input
	GTM_TIM3_IN6_1			Mux input channel 6 of TIM module 3
	GTM_TIM3_IN2_11			Mux input channel 2 of TIM module 3
	GTM_TIM2_IN6_1			Mux input channel 6 of TIM module 2
	CCU61_CC60INC			T12 capture input 60
	SENT_SENT6B			Receive input channel 6
	EDSADC_DSCIN4A			Modulator clock input, channel 4
	GPT120_T2INA			Trigger/gate input of timer T2
	CCU61_CCPOS0A			Hall capture input 0
	CCU60_T12HRB			External timer start 12
	GTM_DTMT0_2			CDTM0_DTM0
	EVADC_G9CH5			AI
	EDSADC_EDS4NA		Negative analog input channel 4, pin A	
	P00.7	O0	General-purpose output	
	GTM_TOUT16	O1	GTM muxed output	
	ASCLIN5_ATX	O2	Transmit output	
	EVADC_FC2BFLOUT	O3	Boundary flag output, FC channel 2	
	EDSADC_DSCOUT4	O4	Modulator clock output	
	EVADC_EMUX11	O5	Control of external analog multiplexer interface 1	
	SENT_SPC6	O6	Transmit output	
CCU61_CC60	O7	T12 PWM channel 60		
IOM_MON1_8		Monitor input 1		
IOM_REF1_13		Reference input 1		

Pin Definition and Functions: LFBGA-292 ADAS Package Variant Pin

Table 2-44 Port 00 Functions (cont'd)

Ball	Symbol	Ctrl.	Buffer Type	Function	
N1	P00.8	I	SLOW / PU1 / VEXT / ES1	General-purpose input	
	GTM_TIM3_IN7_1			Mux input channel 7 of TIM module 3	
	GTM_TIM3_IN3_11			Mux input channel 3 of TIM module 3	
	GTM_TIM2_IN7_1			Mux input channel 7 of TIM module 2	
	CCU61_CC61INC			T12 capture input 61	
	SENT_SENT7B			Receive input channel 7	
	EDSADC_DSDIN4A			Digital datastream input, channel 4	
	GPT120_T2EUDA			Count direction control input of timer T2	
	CCU61_CCPOS1A			Hall capture input 1	
	CCU60_T13HRB			External timer start 13	
	ASCLIN10_ARXB			Receive input	
	EVADC_G9CH4			AI	Analog input channel 4, group 9
	EDSADC_EDS4PA				Positive analog input channel 4, pin A
	P00.8	O0	General-purpose output		
	GTM_TOUT17	O1	GTM muxed output		
	QSPI3_SLSO6	O2	Master slave select output		
	ASCLIN10_ATX	O3	Transmit output		
	—	O4	Reserved		
	EVADC_EMUX12	O5	Control of external analog multiplexer interface 1		
	SENT_SPC7	O6	Transmit output		
	CCU61_CC61	O7	T12 PWM channel 61		
	IOM_MON1_9		Monitor input 1		
	IOM_REF1_12		Reference input 1		

Pin Definition and Functions: LFBGA-292 ADAS Package Variant Pin

Table 2-44 Port 00 Functions (cont'd)

Ball	Symbol	Ctrl.	Buffer Type	Function
P2	P00.9	I	SLOW / PU1 / VEXT / ES1	General-purpose input
	GTM_TIM4_IN0_7			Mux input channel 0 of TIM module 4
	GTM_TIM1_IN0_1			Mux input channel 0 of TIM module 1
	GTM_TIM0_IN0_1			Mux input channel 0 of TIM module 0
	CCU61_CC62INC			T12 capture input 62
	SENT_SENT8B			Receive input channel 8
	CCU61_CCPOS2A			Hall capture input 2
	EDSADC_DSCIN1A			Modulator clock input, channel 1
	EDSADC_ITR3F			Trigger/Gate input, channel 3
	GPT120_T4EUDA			Count direction control input of timer T4
	CCU60_T13HRC			External timer start 13
	CCU60_T12HRC			External timer start 12
	EVADC_G9CH3			AI
	EDSADC_EDS4NB		Negative analog input channel 4, pin B	
	P00.9	O0	General-purpose output	
	GTM_TOUT18	O1	GTM muxed output	
	QSPI3_SLSO7	O2	Master slave select output	
	ASCLIN3_ARTS	O3	Ready to send output	
	EDSADC_DSCOUT1	O4	Modulator clock output	
	ASCLIN4_ATX	O5	Transmit output	
	SENT_SPC8	O6	Transmit output	
CCU61_CC62	O7	T12 PWM channel 62		
IOM_MON1_10		Monitor input 1		
IOM_REF1_11		Reference input 1		

Pin Definition and Functions: LFBGA-292 ADAS Package Variant Pin

Table 2-44 Port 00 Functions (cont'd)

Ball	Symbol	Ctrl.	Buffer Type	Function
P1	P00.10	I	SLOW / PU1 / VEXT / ES1	General-purpose input
	GTM_TIM4_IN1_11			Mux input channel 1 of TIM module 4
	GTM_TIM1_IN1_1			Mux input channel 1 of TIM module 1
	GTM_TIM0_IN1_1			Mux input channel 1 of TIM module 0
	SENT_SENT9B			Receive input channel 9
	EDSADC_DSDIN1A			Digital datastream input, channel 1
	EVADC_G9CH2			Analog input channel 2, group 9
	EDSADC_EDS4PB	AI	Positive analog input channel 4, pin B	
	P00.10	O0	General-purpose output	
	GTM_TOUT19	O1	GTM muxed output	
	ASCLIN4_ASCLK	O2	Shift clock output	
	—	O3	Reserved	
	—	O4	Reserved	
	—	O5	Reserved	
	SENT_SPC9	O6	Transmit output	
	CCU61_COUT63	O7	T13 PWM channel 63	
	IOM_MON1_7		Monitor input 1	
	IOM_REF1_7		Reference input 1	
R1	P00.11	I	SLOW / PU1 / VEXT / ES1	General-purpose input
	GTM_TIM4_IN2_11			Mux input channel 2 of TIM module 4
	GTM_TIM1_IN2_1			Mux input channel 2 of TIM module 1
	GTM_TIM0_IN2_1			Mux input channel 2 of TIM module 0
	CCU60_CTRAPA			Trap input capture
	EDSADC_DSCIN0A			Modulator clock input, channel 0
	CCU61_T12HRE			External timer start 12
	SENT_SENT10B	Receive input channel 10		
	EVADC_G9CH1	AI	Analog input channel 1, group 9	
	EVADC_FC3CH0		Analog input FC channel 3	
	P00.11	O0	General-purpose output	
	GTM_TOUT20	O1	GTM muxed output	
	ASCLIN4_ASLSO	O2	Slave select signal output	
	—	O3	Reserved	
	EDSADC_DSCOUT0	O4	Modulator clock output	
	—	O5	Reserved	
	—	O6	Reserved	
	—	O7	Reserved	

Pin Definition and Functions: LFBGA-292 ADAS Package Variant Pin

Table 2-44 Port 00 Functions (cont'd)

Ball	Symbol	Ctrl.	Buffer Type	Function
R2	P00.12	I	SLOW / PU1 / VEXT / ES1	General-purpose input
	GTM_TIM4_IN3_11			Mux input channel 3 of TIM module 4
	GTM_TIM1_IN3_1			Mux input channel 3 of TIM module 1
	GTM_TIM0_IN3_1			Mux input channel 3 of TIM module 0
	ASCLIN3_ACTSA			Clear to send input
	EDSADC_DSDIN0A			Digital datastream input, channel 0
	ASCLIN4_ARXA			Receive input
	SENT_SENT11B			Receive input channel 11
	EVADC_G9CH0			AI
	EVADC_FC2CH0	Analog input FC channel 2		
	P00.12	O0	General-purpose output	
	GTM_TOUT21	O1	GTM muxed output	
	—	O2	Reserved	
	—	O3	Reserved	
	—	O4	Reserved	
	—	O5	Reserved	
	—	O6	Reserved	
	CCU61_COUT63	O7	T13 PWM channel 63	
	IOM_MON1_7		Monitor input 1	
	IOM_REF1_7		Reference input 1	

Pin Definition and Functions: LFBGA-292 ADAS Package Variant Pin

Table 2-45 Port 02 Functions

Ball	Symbol	Ctrl.	Buffer Type	Function
J1	P02.0	I	FAST / PU1 / VEXT / ES	General-purpose input
	GTM_TIM1_IN0_2			Mux input channel 0 of TIM module 1
	GTM_TIM0_IN0_2			Mux input channel 0 of TIM module 0
	CCU61_CC60INB			T12 capture input 60
	ASCLIN2_ARXG			Receive input
	CCU60_CC60INA			T12 capture input 60
	SCU_E_REQ3_2			ERU Channel 3 inputs 0 to 5 (0 is the LSB and 5 is the MSB)
	GTM_DTMA0_0			CDTM0_DTM4
	P02.0	O0	General-purpose output	
	GTM_TOUT0	O1	GTM muxed output	
	IOM_REF0_0		Reference input 0	
	ASCLIN2_ATX	O2	Transmit output	
	IOM_MON2_14		Monitor input 2	
	IOM_REF2_14		Reference input 2	
	QSPI3_SLSO1	O3	Master slave select output	
	EDSADC_CGPWMN	O4	Negative carrier generator output	
	CAN00_TXD	O5	CAN transmit output node 0	
	IOM_MON2_5		Monitor input 2	
	IOM_REF2_5		Reference input 2	
	ERAY0_TXDA	O6	Transmit Channel A	
CCU60_CC60	O7	T12 PWM channel 60		
IOM_MON1_2		Monitor input 1		
IOM_REF1_6		Reference input 1		

Pin Definition and Functions: LFBGA-292 ADAS Package Variant Pin

Table 2-45 Port 02 Functions (cont'd)

Ball	Symbol	Ctrl.	Buffer Type	Function
J2	P02.1	I	SLOW / PU1 / VEXT / ES	General-purpose input
	GTM_TIM1_IN1_2			Mux input channel 1 of TIM module 1
	GTM_TIM0_IN1_2			Mux input channel 1 of TIM module 0
	ERAY0_RXDA2			Receive Channel A2
	ASCLIN2_ARXB			Receive input
	CAN00_RXDA			CAN receive input node 0
	SCU_E_REQ2_1			ERU Channel 2 inputs 0 to 5 (0 is the LSB and 5 is the MSB)
	P02.1	O0	General-purpose output	
	GTM_TOUT1	O1	GTM muxed output	
	IOM_REF0_1		Reference input 0	
	QSPI4_SLSO7	O2	Master slave select output	
	QSPI3_SLSO2	O3	Master slave select output	
	EDSADC_CGPWMP	O4	Positive carrier generator output	
	—	O5	Reserved	
	—	O6	Reserved	
	CCU60_COUT60	O7	T12 PWM channel 60	
	IOM_MON1_3		Monitor input 1	
	IOM_REF1_3		Reference input 1	

Pin Definition and Functions: LFBGA-292 ADAS Package Variant Pin

Table 2-45 Port 02 Functions (cont'd)

Ball	Symbol	Ctrl.	Buffer Type	Function
K1	P02.2	I	FAST / PU1 / VEXT / ES	General-purpose input
	GTM_TIM1_IN2_2			Mux input channel 2 of TIM module 1
	GTM_TIM0_IN2_2			Mux input channel 2 of TIM module 0
	CCU61_CC61INB			T12 capture input 61
	CCU60_CC61INA			T12 capture input 61
	SENT_SENT14B			Receive input channel 14
	P02.2			O0
	GTM_TOUT2	O1	GTM muxed output	
	IOM_REF0_2		Reference input 0	
	ASCLIN1_ATX	O2	Transmit output	
	IOM_MON2_13		Monitor input 2	
	IOM_REF2_13		Reference input 2	
	QSPI3_SLSO3	O3	Master slave select output	
	PSI5_TX0	O4	TXD outputs (send data)	
	IOM_MON1_14		Monitor input 1	
	IOM_REF1_14		Reference input 1	
	CAN02_TXD	O5	CAN transmit output node 2	
	IOM_MON2_7		Monitor input 2	
	IOM_REF2_7		Reference input 2	
	ERAY0_TXDB	O6	Transmit Channel B	
	CCU60_CC61	O7	T12 PWM channel 61	
	IOM_MON1_1		Monitor input 1	
	IOM_REF1_5		Reference input 1	

Pin Definition and Functions: LFBGA-292 ADAS Package Variant Pin

Table 2-45 Port 02 Functions (cont'd)

Ball	Symbol	Ctrl.	Buffer Type	Function
K2	P02.3	I	SLOW / PU1 / VEXT / ES	General-purpose input
	GTM_TIM1_IN3_2			Mux input channel 3 of TIM module 1
	GTM_TIM0_IN3_2			Mux input channel 3 of TIM module 0
	EDSADC_DSCIN5B			Modulator clock input, channel 5
	ERAY0_RXDB2			Receive Channel B2
	CAN02_RXDB			CAN receive input node 2
	ASCLIN1_ARXG			Receive input
	MSC1_SD11			Upstream asynchronous input signal
	PSI5_RX0B			RXD inputs (receive data) channel 0
	SENT_SENT13B			Receive input channel 13
	P02.3	O0	General-purpose output	
	GTM_TOUT3	O1	GTM muxed output	
	IOM_REF0_3		Reference input 0	
	ASCLIN2_ASLSO	O2	Slave select signal output	
	QSPI3_SLSO4	O3	Master slave select output	
	EDSADC_DSCOUT5	O4	Modulator clock output	
	—	O5	Reserved	
	—	O6	Reserved	
	CCU60_COUT61	O7	T12 PWM channel 61	
	IOM_MON1_4		Monitor input 1	
IOM_REF1_2		Reference input 1		

Pin Definition and Functions: LFBGA-292 ADAS Package Variant Pin

Table 2-45 Port 02 Functions (cont'd)

Ball	Symbol	Ctrl.	Buffer Type	Function	
K4	P02.4	I	FAST / PU1 / VEXT / ES	General-purpose input	
	GTM_TIM1_IN4_1			Mux input channel 4 of TIM module 1	
	GTM_TIM0_IN4_1			Mux input channel 4 of TIM module 0	
	CCU61_CC62INB			T12 capture input 62	
	EDSADC_DSDIN5B			Digital datastream input, channel 5	
	QSPI3_SLSIA			Slave select input	
	CCU60_CC62INA			T12 capture input 62	
	I2C0_SDAA			Serial Data Input 0	
	CAN11_RXDA			CAN receive input node 1	
	CAN0_ECTT1			External CAN time trigger input	
	SENT_SENT12B			Receive input channel 12	
	P02.4			O0	General-purpose output
	GTM_TOUT4			O1	GTM muxed output
	IOM_REF0_4		Reference input 0		
	ASCLIN2_ASCLK	O2	Shift clock output		
	QSPI3_SLSO0	O3	Master slave select output		
	PSI5S_CLK	O4	PSI5S CLK is a clock that can be used on a pin to drive the external PHY.		
	I2C0_SDA	O5	Serial Data Output		
	ERAY0_TXENA	O6	Transmit Enable Channel A		
	CCU60_CC62	O7	T12 PWM channel 62		
IOM_MON1_0		Monitor input 1			
IOM_REF1_4		Reference input 1			

Pin Definition and Functions: LFBGA-292 ADAS Package Variant Pin

Table 2-45 Port 02 Functions (cont'd)

Ball	Symbol	Ctrl.	Buffer Type	Function	
K5	P02.5	I	FAST / PU1 / VEXT / ES	General-purpose input	
	GTM_TIM1_IN5_1			Mux input channel 5 of TIM module 1	
	GTM_TIM0_IN5_1			Mux input channel 5 of TIM module 0	
	EDSADC_DSCIN4B			Modulator clock input, channel 4	
	I2C0_SCLA			Serial Clock Input 0	
	PSI5_RX1B			RXD inputs (receive data) channel 1	
	PSI5S_RXB			RX data input	
	QSPI3_MRSTA			Master SPI data input	
	SENT_SENT3C			Receive input channel 3	
	CAN0_ECTT2			External CAN time trigger input	
	P02.5			O0	General-purpose output
	GTM_TOUT5			O1	GTM muxed output
	IOM_REF0_5		Reference input 0		
	CAN11_TXD	O2	CAN transmit output node 1		
	QSPI3_MRST	O3	Slave SPI data output		
	IOM_MON2_3		Monitor input 2		
	IOM_REF2_3		Reference input 2		
	EDSADC_DSCOUT4	O4	Modulator clock output		
	I2C0_SCL	O5	Serial Clock Output		
	ERAY0_TXENB	O6	Transmit Enable Channel B		
CCU60_COUT62	O7	T12 PWM channel 62			
IOM_MON1_5		Monitor input 1			
IOM_REF1_1		Reference input 1			

Pin Definition and Functions: LFBGA-292 ADAS Package Variant Pin

Table 2-45 Port 02 Functions (cont'd)

Ball	Symbol	Ctrl.	Buffer Type	Function
L1	P02.6	I	FAST / PU1 / VEXT / ES	General-purpose input
	GTM_TIM3_IN0_10			Mux input channel 0 of TIM module 3
	GTM_TIM1_IN6_1			Mux input channel 6 of TIM module 1
	GTM_TIM0_IN6_1			Mux input channel 6 of TIM module 0
	CCU60_CC60INC			T12 capture input 60
	SENT_SENT2C			Receive input channel 2
	EDSADC_DSDIN4B			Digital datastream input, channel 4
	EDSADC_ITR5E			Trigger/Gate input, channel 5
	GPT120_T3INA			Trigger/gate input of core timer T3
	CCU60_CCPOS0A			Hall capture input 0
	CCU61_T12HRB			External timer start 12
	QSPI3_MTSRA			Slave SPI data input
	RIFO_RAMP1B			External RAMP B input
	P02.6			O0
	GTM_TOUT6	O1	GTM muxed output	
	IOM_REF0_6		Reference input 0	
	PSI5S_TX	O2	TX data output	
	QSPI3_MTSR	O3	Master SPI data output	
	PSI5_TX1	O4	TXD outputs (send data)	
	IOM_MON1_15		Monitor input 1	
	EVADC_EMUX00	O5	Control of external analog multiplexer interface 0	
	—	O6	Reserved	
	CCU60_CC60	O7	T12 PWM channel 60	
IOM_MON1_2		Monitor input 1		
IOM_REF1_6		Reference input 1		

Pin Definition and Functions: LFBGA-292 ADAS Package Variant Pin

Table 2-45 Port 02 Functions (cont'd)

Ball	Symbol	Ctrl.	Buffer Type	Function
L4	P02.7	I	FAST / PU1 / VEXT / ES	General-purpose input
	GTM_TIM3_IN1_10			Mux input channel 1 of TIM module 3
	GTM_TIM1_IN7_1			Mux input channel 7 of TIM module 1
	GTM_TIM0_IN7_1			Mux input channel 7 of TIM module 0
	CCU60_CC61INC			T12 capture input 61
	SENT_SENT1C			Receive input channel 1
	EDSADC_DSCIN3B			Modulator clock input, channel 3
	EDSADC_ITR4E			Trigger/Gate input, channel 4
	GPT120_T3EUDA			Count direction control input of core timer T3
	PSI5_RX2B			RXD inputs (receive data) channel 2
	CCU60_CCPOS1A			Hall capture input 1
	QSPI3_SCLKA			Slave SPI clock inputs
	CCU61_T13HRB			External timer start 13
	P02.7			O0
	GTM_TOUT7	O1	GTM muxed output	
	IOM_REF0_7		Reference input 0	
	—	O2	Reserved	
	QSPI3_SCLK	O3	Master SPI clock output	
	EDSADC_DSCOUT3	O4	Modulator clock output	
	EVADC_EMUX01	O5	Control of external analog multiplexer interface 0	
SENT_SPC1	O6	Transmit output		
CCU60_CC61	O7	T12 PWM channel 61		
IOM_MON1_1		Monitor input 1		
IOM_REF1_5		Reference input 1		

Pin Definition and Functions: LFBGA-292 ADAS Package Variant Pin

Table 2-45 Port 02 Functions (cont'd)

Ball	Symbol	Ctrl.	Buffer Type	Function
L5	P02.8	I	SLOW / PU1 / VEXT / ES	General-purpose input
	GTM_TIM3_IN2_10			Mux input channel 2 of TIM module 3
	GTM_TIM3_IN0_2			Mux input channel 0 of TIM module 3
	GTM_TIM2_IN0_2			Mux input channel 0 of TIM module 2
	CCU60_CC62INC			T12 capture input 62
	SENT_SENT0C			Receive input channel 0
	CCU60_CCPOS2A			Hall capture input 2
	EDSADC_DSDIN3B			Digital datastream input, channel 3
	EDSADC_ITR3E			Trigger/Gate input, channel 3
	GPT120_T4INA			Trigger/gate input of timer T4
	CCU61_T12HRC			External timer start 12
	CCU61_T13HRC			External timer start 13
	GTM_DTMA0_1			CDTM0_DTM4
	P02.8			O0
	GTM_TOUT8	O1	GTM muxed output	
	IOM_REF0_8		Reference input 0	
	QSPI3_SLSO5	O2	Master slave select output	
	ASCLIN8_ASCLK	O3	Shift clock output	
	PSI5_TX2	O4	TXD outputs (send data)	
	IOM_REF1_15		Reference input 1	
EVADC_EMUX02	O5	Control of external analog multiplexer interface 0		
GETH_MDC	O6	MDIO clock		
CCU60_CC62	O7	T12 PWM channel 62		
IOM_MON1_0		Monitor input 1		
IOM_REF1_4		Reference input 1		

Pin Definition and Functions: LFBGA-292 ADAS Package Variant Pin

Table 2-46 Port 10 Functions

Ball	Symbol	Ctrl.	Buffer Type	Function	
E4	P10.0	I	SLOW / PU1 / VEXT / ES	General-purpose input	
	GTM_TIM4_IN0_12			Mux input channel 0 of TIM module 4	
	GTM_TIM1_IN4_2			Mux input channel 4 of TIM module 1	
	GTM_TIM0_IN4_2			Mux input channel 4 of TIM module 0	
	GPT120_T6EUDB			Count direction control input of core timer T6	
	ASCLIN11_ARXA			Receive input	
	GETH_RXERC			Receive Error MII	
	GTM_DTMA5_2			CDTM5_DTM4	
	P10.0			O0	General-purpose output
	GTM_TOUT102	O1	GTM muxed output		
	ASCLIN11_ATX	O2	Transmit output		
	QSPI1_SLSO10	O3	Master slave select output		
	—	O4	Reserved		
	EVADC_FC6BFLOUT	O5	Boundary flag output, FC channel 6		
	—	O6	Reserved		
	—	O7	Reserved		
	F4	P10.1	I	FAST / PU1 / VEXT / ES	General-purpose input
GTM_TIM4_IN4_12		Mux input channel 4 of TIM module 4			
GTM_TIM1_IN1_3		Mux input channel 1 of TIM module 1			
GTM_TIM0_IN1_3		Mux input channel 1 of TIM module 0			
GPT120_T5EUDB		Count direction control input of timer T5			
QSPI1_MRSTA		Master SPI data input			
GTM_DTMT0_1		CDTM0_DTM0			
P10.1		O0			General-purpose output
GTM_TOUT103		O1			GTM muxed output
QSPI1_MTSR		O2	Master SPI data output		
QSPI1_MRST		O3	Slave SPI data output		
IOM_MON2_1			Monitor input 2		
IOM_REF2_1			Reference input 2		
MSC0_EN1		O4	Chip Select		
EVADC_FC1BFLOUT		O5	Boundary flag output, FC channel 1		
—		O6	Reserved		
—		O7	Reserved		

Pin Definition and Functions: LFBGA-292 ADAS Package Variant Pin

Table 2-46 Port 10 Functions (cont'd)

Ball	Symbol	Ctrl.	Buffer Type	Function	
F5	P10.2	I	FAST / PU1 / VEXT / ES	General-purpose input	
	GTM_TIM4_IN5_12			Mux input channel 5 of TIM module 4	
	GTM_TIM1_IN2_3			Mux input channel 2 of TIM module 1	
	GTM_TIM0_IN2_3			Mux input channel 2 of TIM module 0	
	CAN02_RXDE			CAN receive input node 2	
	MSC0_SD11			Upstream assynchronous input signal	
	QSPI1_SCLKA			Slave SPI clock inputs	
	GPT120_T6INB			Trigger/gate input of core timer T6	
	SCU_E_REQ2_0			ERU Channel 2 inputs 0 to 5 (0 is the LSB and 5 is the MSB)	
	GTM_DTMT2_2			CDTM2_DTM0	
	P10.2			O0	General-purpose output
	GTM_TOUT104			O1	GTM muxed output
	IOM_MON2_9				Monitor input 2
	—			O2	Reserved
QSPI1_SCLK	O3	Master SPI clock output			
MSC0_EN0	O4	Chip Select			
EVADC_FC3BFLOUT	O5	Boundary flag output, FC channel 3			
—	O6	Reserved			
—	O7	Reserved			

Pin Definition and Functions: LFBGA-292 ADAS Package Variant Pin

Table 2-46 Port 10 Functions (cont'd)

Ball	Symbol	Ctrl.	Buffer Type	Function
G4	P10.3	I	FAST / PU1 / VEXT / ES	General-purpose input
	GTM_TIM4_IN6_10			Mux input channel 6 of TIM module 4
	GTM_TIM1_IN3_3			Mux input channel 3 of TIM module 1
	GTM_TIM0_IN3_3			Mux input channel 3 of TIM module 0
	QSPI1_MTSRA			Slave SPI data input
	SCU_E_REQ3_0			ERU Channel 3 inputs 0 to 5 (0 is the LSB and 5 is the MSB)
	GPT120_T5INB			Trigger/gate input of timer T5
	P10.3	O0	General-purpose output	
	GTM_TOUT105	O1	GTM muxed output	
	IOM_MON2_10		Monitor input 2	
	—	O2	Reserved	
	QSPI1_MTSR	O3	Master SPI data output	
	MSC0_EN0	O4	Chip Select	
	—	O5	Reserved	
	CAN02_TXD	O6	CAN transmit output node 2	
	IOM_MON2_7	O7	Monitor input 2	
	IOM_REF2_7		Reference input 2	
—	Reserved			
G5	P10.4	I	FAST / PU1 / VEXT / ES	General-purpose input
	GTM_TIM4_IN7_3			Mux input channel 7 of TIM module 4
	GTM_TIM1_IN6_2			Mux input channel 6 of TIM module 1
	GTM_TIM0_IN6_2			Mux input channel 6 of TIM module 0
	QSPI1_MTSRC			Slave SPI data input
	CCU60_CCPOS0C			Hall capture input 0
	GPT120_T3INB			Trigger/gate input of core timer T3
	ASCLIN11_ARXB	Receive input		
	P10.4	O0	General-purpose output	
	GTM_TOUT106	O1	GTM muxed output	
	IOM_MON2_11		Monitor input 2	
	—	O2	Reserved	
	QSPI1_SLSO8	O3	Master slave select output	
	QSPI1_MTSR	O4	Master SPI data output	
	MSC0_EN0	O5	Chip Select	
	—	O6	Reserved	
	—	O7	Reserved	

Pin Definition and Functions: LFBGA-292 ADAS Package Variant Pin

Table 2-46 Port 10 Functions (cont'd)

Ball	Symbol	Ctrl.	Buffer Type	Function
H4	P10.5	I	SLOW / PU2 / VEXT / ES	General-purpose input
	GTM_TIM4_IN3_13			Mux input channel 3 of TIM module 4
	GTM_TIM1_IN2_4			Mux input channel 2 of TIM module 1
	GTM_TIM0_IN2_4			Mux input channel 2 of TIM module 0
	PMS_HWCFG4IN			HWCFG4 pin input
	CAN20_RXDA			CAN receive input node 0
	MSC0_INJ1			Injection signal from port
	P10.5	O0	General-purpose output	
	GTM_TOUT107	O1	GTM muxed output	
	IOM_REF2_9	O2	Reference input 2	
	ASCLIN2_ATX		Transmit output	
	IOM_MON2_14		Monitor input 2	
	IOM_REF2_14	Reference input 2		
	QSPI3_SLSO8	O3	Master slave select output	
	QSPI1_SLSO9	O4	Master slave select output	
	GPT120_T6OUT	O5	External output for overflow/underflow detection of core timer T6	
	ASCLIN2_ASLSO	O6	Slave select signal output	
	PSI5_TX3	O7	TXD outputs (send data)	

Pin Definition and Functions: LFBGA-292 ADAS Package Variant Pin

Table 2-46 Port 10 Functions (cont'd)

Ball	Symbol	Ctrl.	Buffer Type	Function
H5	P10.6	I	SLOW / PU2 / VEXT / ES	General-purpose input
	GTM_TIM4_IN2_13			Mux input channel 2 of TIM module 4
	GTM_TIM1_IN3_4			Mux input channel 3 of TIM module 1
	GTM_TIM0_IN3_4			Mux input channel 3 of TIM module 0
	PSI5_RX3C			RXD inputs (receive data) channel 3
	ASCLIN2_ARXD			Receive input
	QSPI3_MTSRB			Slave SPI data input
	PMS_HWCFG5IN			HWCFG5 pin input
	P10.6			O0
	GTM_TOUT108	O1	GTM muxed output	
	IOM_REF2_10		Reference input 2	
	ASCLIN2_ASCLK	O2	Shift clock output	
	QSPI3_MTSR	O3	Master SPI data output	
	GPT120_T3OUT	O4	External output for overflow/underflow detection of core timer T3	
	CAN20_TXD	O5	CAN transmit output node 0	
	QSPI1_MRST	O6	Slave SPI data output	
	IOM_MON2_1		Monitor input 2	
	IOM_REF2_1		Reference input 2	
	EVADC_FC7BFLOUT	O7	Boundary flag output, FC channel 7	

Pin Definition and Functions: LFBGA-292 ADAS Package Variant Pin

Table 2-46 Port 10 Functions (cont'd)

Ball	Symbol	Ctrl.	Buffer Type	Function
J5	P10.7	I	SLOW / PU1 / VEXT / ES	General-purpose input
	GTM_TIM1_IN0_3			Mux input channel 0 of TIM module 1
	GTM_TIM0_IN0_3			Mux input channel 0 of TIM module 0
	GPT120_T3EUDB			Count direction control input of core timer T3
	ASCLIN2_ACTSA			Clear to send input
	QSPI3_MRSTB			Master SPI data input
	SCU_E_REQ0_2			ERU Channel 0 inputs 0 to 5 (0 is the LSB and 5 is the MSB)
	CCU60_CCPOS1C			Hall capture input 1
	P10.7			O0
	GTM_TOUT109	O1	GTM muxed output	
	IOM_REF2_11	O2	Reference input 2	
	—		Reserved	
	QSPI3_MRST		O3	Slave SPI data output
	IOM_MON2_3	O3	Monitor input 2	
	IOM_REF2_3		Reference input 2	
	—	O4	Reserved	
	CAN20_TXD	O5	CAN transmit output node 0	
	CAN12_TXD	O6	CAN transmit output node 2	
	—	O7	Reserved	

Pin Definition and Functions: LFBGA-292 ADAS Package Variant Pin

Table 2-46 Port 10 Functions (cont'd)

Ball	Symbol	Ctrl.	Buffer Type	Function	
J4	P10.8	I	SLOW / PU1 / VEXT / ES	General-purpose input	
	GTM_TIM4_IN0_13			Mux input channel 0 of TIM module 4	
	GTM_TIM1_IN5_2			Mux input channel 5 of TIM module 1	
	GTM_TIM0_IN5_2			Mux input channel 5 of TIM module 0	
	CAN12_RXDB			CAN receive input node 2	
	GPT120_T4INB			Trigger/gate input of timer T4	
	QSPI3_SCLKB			Slave SPI clock inputs	
	SCU_E_REQ1_2			ERU Channel 1 inputs 0 to 5 (0 is the LSB and 5 is the MSB)	
	CCU60_CCPOS2C			Hall capture input 2	
	CAN20_RXDB			CAN receive input node 0	
	RIF1_RAMP1B			External RAMP B input	
	P10.8			O0	General-purpose output
	GTM_TOUT110			O1	GTM muxed output
	ASCLIN2_ARTS			O2	Ready to send output
QSPI3_SCLK	O3	Master SPI clock output			
—	O4	Reserved			
—	O5	Reserved			
—	O6	Reserved			
—	O7	Reserved			

Pin Definition and Functions: LFBGA-292 ADAS Package Variant Pin

Table 2-47 Port 11 Functions

Ball	Symbol	Ctrl.	Buffer Type	Function
E10	P11.0	I	RFAST / PU1 / VFLEX / ES	General-purpose input
	GTM_TIM7_IN5_1			Mux input channel 5 of TIM module 7
	GTM_TIM4_IN0_4			Mux input channel 0 of TIM module 4
	GTM_TIM2_IN0_7			Mux input channel 0 of TIM module 2
	ASCLIN3_ARXB			Receive input
	GTM_DTMA2_1			CDTM2_DTM4
	P11.0	O0		General-purpose output
	GTM_TOUT119	O1		GTM muxed output
	ASCLIN3_ATX	O2		Transmit output
	IOM_MON2_15			Monitor input 2
	IOM_REF2_15			Reference input 2
	—	O3		Reserved
	—	O4		Reserved
	CAN11_TXD	O5		CAN transmit output node 1
GETH_TXD3	O6	Transmit Data		
—	O7	Reserved		
E9	P11.1	I	RFAST / PU1 / VFLEX / ES	General-purpose input
	GTM_TIM7_IN6_1			Mux input channel 6 of TIM module 7
	GTM_TIM4_IN1_5			Mux input channel 1 of TIM module 4
	GTM_TIM2_IN1_6			Mux input channel 1 of TIM module 2
	P11.1	O0		General-purpose output
	GTM_TOUT120	O1		GTM muxed output
	ASCLIN3_ASCLK	O2		Shift clock output
	ASCLIN3_ATX	O3		Transmit output
	IOM_MON2_15			Monitor input 2
	IOM_REF2_15			Reference input 2
	—	O4		Reserved
	CAN12_TXD	O5		CAN transmit output node 2
	GETH_TXD2	O6		Transmit Data
	—	O7		Reserved

Pin Definition and Functions: LFBGA-292 ADAS Package Variant Pin

Table 2-47 Port 11 Functions (cont'd)

Ball	Symbol	Ctrl.	Buffer Type	Function
A12	P11.2	I	RFAST / PU1 / VFLEX / ES	General-purpose input
	GTM_TIM3_IN1_3			Mux input channel 1 of TIM module 3
	GTM_TIM2_IN1_3			Mux input channel 1 of TIM module 2
	P11.2	O0		General-purpose output
	GTM_TOUT95	O1		GTM muxed output
	—	O2		Reserved
	QSPI0_SLSO5	O3		Master slave select output
	QSPI1_SLSO5	O4		Master slave select output
	MSC0_EN1	O5		Chip Select
	GETH_TXD1	O6		Transmit Data
	CCU60_COUT63	O7		T13 PWM channel 63
	IOM_MON1_6			Monitor input 1
	IOM_REF1_0			Reference input 1
	B12	P11.3		I
GTM_TIM3_IN2_2		Mux input channel 2 of TIM module 3		
GTM_TIM2_IN2_2		Mux input channel 2 of TIM module 2		
MSC0_SDI3		Upstream assynchronous input signal		
QSPI1_MRSTB			Master SPI data input	
P11.3		O0	General-purpose output	
GTM_TOUT96		O1	GTM muxed output	
—		O2	Reserved	
QSPI1_MRST		O3	Slave SPI data output	
IOM_MON2_1			Monitor input 2	
IOM_REF2_1			Reference input 2	
ERAY0_TXDA		O4	Transmit Channel A	
—		O5	Reserved	
GETH_TXD0		O6	Transmit Data	
CCU60_COUT62		O7	T12 PWM channel 62	
IOM_MON1_5			Monitor input 1	
IOM_REF1_1	Reference input 1			

Pin Definition and Functions: LFBGA-292 ADAS Package Variant Pin

Table 2-47 Port 11 Functions (cont'd)

Ball	Symbol	Ctrl.	Buffer Type	Function
D10	P11.4	I	RFAST / PU1 / VFLEX / ES	General-purpose input
	GTM_TIM7_IN7_1			Mux input channel 7 of TIM module 7
	GTM_TIM4_IN2_5			Mux input channel 2 of TIM module 4
	GTM_TIM2_IN2_6			Mux input channel 2 of TIM module 2
	GETH_RXCLKB			Receive Clock MII
	P11.4	O0		General-purpose output
	GTM_TOUT121	O1		GTM muxed output
	ASCLIN3_ASCLK	O2		Shift clock output
	—	O3		Reserved
	—	O4		Reserved
	CAN13_TXD	O5		CAN transmit output node 3
	GETH_TXER	O6		Transmit Error MII
	GETH_TXCLK	O7		Transmit Clock Output for RGMII
D8	P11.5	I	SLOW / RGMII_In put / PU1 / VFLEX / ES	General-purpose input
	GTM_TIM4_IN3_5			Mux input channel 3 of TIM module 4
	GTM_TIM2_IN3_8			Mux input channel 3 of TIM module 2
	GETH_TXCLKA			Transmit Clock Input for MII
	GETH_GREFCLK			Gigabit Reference Clock input for RGMII (125 MHz high precision)
	P11.5	O0		General-purpose output
	GTM_TOUT122	O1		GTM muxed output
	—	O2		Reserved
	—	O3		Reserved
	—	O4		Reserved
	CAN20_TXD	O5		CAN transmit output node 0
	—	O6		Reserved
	—	O7		Reserved

Pin Definition and Functions: LFBGA-292 ADAS Package Variant Pin

Table 2-47 Port 11 Functions (cont'd)

Ball	Symbol	Ctrl.	Buffer Type	Function
D9	P11.6	I	RFAST / PU1 / VFLEX / ES	General-purpose input
	GTM_TIM3_IN3_2			Mux input channel 3 of TIM module 3
	GTM_TIM2_IN3_2			Mux input channel 3 of TIM module 2
	QSPI1_SCLKB			Slave SPI clock inputs
	P11.6	O0		General-purpose output
	GTM_TOUT97	O1		GTM muxed output
	ERAY0_TXENB	O2		Transmit Enable Channel B
	QSPI1_SCLK	O3		Master SPI clock output
	ERAY0_TXENA	O4		Transmit Enable Channel A
	MSC0_FCLP	O5		Shift-clock direct part of the differential signal
	GETH_TXEN	O6		Transmit Enable MII and RMII
	GETH_TCTL		Transmit Control for RGMII	
	CCU60_COUT61	O7		T12 PWM channel 61
	IOM_MON1_4		Monitor input 1	
IOM_REF1_2	Reference input 1			
E8	P11.7	I	SLOW / RGMII_In put / PU1 / VFLEX / ES	General-purpose input
	GTM_TIM4_IN4_5			Mux input channel 4 of TIM module 4
	GTM_TIM2_IN4_7			Mux input channel 4 of TIM module 2
	GETH_RXD3A			Receive Data 3 MII and RGMII (RGMII can use RXD3A only)
	CAN11_RXDD			CAN receive input node 1
	P11.7	O0		General-purpose output
	GTM_TOUT123	O1		GTM muxed output
	—	O2		Reserved
	—	O3		Reserved
	—	O4		Reserved
	—	O5		Reserved
	—	O6		Reserved
	—	O7		Reserved

Pin Definition and Functions: LFBGA-292 ADAS Package Variant Pin

Table 2-47 Port 11 Functions (cont'd)

Ball	Symbol	Ctrl.	Buffer Type	Function
E7	P11.8	I	SLOW / RGMII_ Input / PU1 / VFLEX / ES	General-purpose input
	GTM_TIM4_IN5_5			Mux input channel 5 of TIM module 4
	GTM_TIM2_IN5_8			Mux input channel 5 of TIM module 2
	GETH_RXD2A			Receive Data 2 MII and RGMII (RGMII can use RXD2A only)
	CAN12_RXDD			CAN receive input node 2
	P11.8	O0	General-purpose output	
	GTM_TOUT124	O1	GTM muxed output	
	—	O2	Reserved	
	—	O3	Reserved	
	—	O4	Reserved	
	—	O5	Reserved	
	—	O6	Reserved	
	—	O7	Reserved	
A11	P11.9	I	FAST / RGMII_ Input / PU1 / VFLEX / ES	General-purpose input
	GTM_TIM3_IN4_2			Mux input channel 4 of TIM module 3
	GTM_TIM2_IN4_2			Mux input channel 4 of TIM module 2
	QSPI1_MTSRB			Slave SPI data input
	ERAY0_RXDA1			Receive Channel A1
	GETH_RXD1A			Receive Data 1 MII, RMII and RGMII (RGMII can use RXD1A only)
	P11.9	O0	General-purpose output	
	GTM_TOUT98	O1	GTM muxed output	
	—	O2	Reserved	
	QSPI1_MTSTR	O3	Master SPI data output	
	—	O4	Reserved	
	MSC0_SOP	O5	Data output - direct part of the differential signal	
	—	O6	Reserved	
	CCU60_COUT60	O7	T12 PWM channel 60	
	IOM_MON1_3		Monitor input 1	
IOM_REF1_3		Reference input 1		

Pin Definition and Functions: LFBGA-292 ADAS Package Variant Pin

Table 2-47 Port 11 Functions (cont'd)

Ball	Symbol	Ctrl.	Buffer Type	Function	
B11	P11.10	I	FAST / RGMII_ Input / PU1 / VFLEX / ES	General-purpose input	
	GTM_TIM3_IN5_2			Mux input channel 5 of TIM module 3	
	GTM_TIM2_IN5_2			Mux input channel 5 of TIM module 2	
	GTM_TIM2_IN0_9			Mux input channel 0 of TIM module 2	
	CAN03_RXDD			CAN receive input node 3	
	ERAY0_RXDB1			Receive Channel B1	
	ASCLIN1_ARXE			Receive input	
	SCU_E_REQ6_3			ERU Channel 6 inputs 0 to 5 (0 is the LSB and 5 is the MSB)	
	MSC0_SDI0			Upstream asynchronous input signal	
	GETH_RXD0A			Receive Data 0 MII, RMII and RGMII (RGMII can use RXD0A only)	
	QSPI1_SLSIA			Slave select input	
	P11.10			O0	General-purpose output
	GTM_TOUT99			O1	GTM muxed output
	—			O2	Reserved
QSPI0_SLSO3	O3	Master slave select output			
QSPI1_SLSO3	O4	Master slave select output			
—	O5	Reserved			
—	O6	Reserved			
CCU60_CC62	O7	T12 PWM channel 62			
IOM_MON1_0		Monitor input 1			
IOM_REF1_4		Reference input 1			

Pin Definition and Functions: LFBGA-292 ADAS Package Variant Pin

Table 2-47 Port 11 Functions (cont'd)

Ball	Symbol	Ctrl.	Buffer Type	Function
A10	P11.11	I	FAST / RGMII_In put / PU1 / VFLEX / ES	General-purpose input
	GTM_TIM3_IN6_2			Mux input channel 6 of TIM module 3
	GTM_TIM3_IN0_14			Mux input channel 0 of TIM module 3
	GTM_TIM2_IN6_2			Mux input channel 6 of TIM module 2
	GETH_CRSDVA			Carrier Sense / Data Valid combi-signal for RMII
	GETH_RXDVA			Receive Data Valid MII
	GETH_CRSB			Carrier Sense MII
	GETH_RCTLA			Receive Control for RGMII
	P11.11	O0	General-purpose output	
	GTM_TOUT100	O1	GTM muxed output	
	—	O2	Reserved	
	QSPIO_SLSO4	O3	Master slave select output	
	QSPI1_SLSO4	O4	Master slave select output	
	MSC0_EN0	O5	Chip Select	
	ERAY0_TXENB	O6	Transmit Enable Channel B	
	CCU60_CC61	O7	T12 PWM channel 61	
	IOM_MON1_1		Monitor input 1	
IOM_REF1_5		Reference input 1		
B10	P11.12	I	FAST / RGMII_In put / PU1 / VFLEX / ES	General-purpose input
	GTM_TIM3_IN7_2			Mux input channel 7 of TIM module 3
	GTM_TIM2_IN7_2			Mux input channel 7 of TIM module 2
	GETH_REFCLKA			Reference Clock input for RMII (50 MHz)
	GETH_TXCLKB			Transmit Clock Input for MII
	GETH_RXCLKA			Receive Clock MII
	P11.12	O0	General-purpose output	
	GTM_TOUT101	O1	GTM muxed output	
	ASCLIN1_ATX	O2	Transmit output	
	IOM_MON2_13		Monitor input 2	
	IOM_REF2_13		Reference input 2	
	GTM_CLK2	O3	CGM generated clock	
	ERAY0_TXDB	O4	Transmit Channel B	
	CAN03_TXD	O5	CAN transmit output node 3	
	IOM_MON2_8		Monitor input 2	
	IOM_REF2_8		Reference input 2	
	CCU_EXTCLK1	O6	External Clock 1	
CCU60_CC60	O7	T12 PWM channel 60		
IOM_MON1_2		Monitor input 1		
IOM_REF1_6		Reference input 1		

Pin Definition and Functions: LFBGA-292 ADAS Package Variant Pin

Table 2-47 Port 11 Functions (cont'd)

Ball	Symbol	Ctrl.	Buffer Type	Function
E6	P11.13	I	SLOW / PU1 / VFLEX / ES	General-purpose input
	GTM_TIM4_IN6_5			Mux input channel 6 of TIM module 4
	GTM_TIM2_IN6_7			Mux input channel 6 of TIM module 2
	GETH_RXERA			Receive Error MII
	I2C1_SDAA			Serial Data Input 0
	CAN13_RXDD			CAN receive input node 3
	P11.13			O0
	GTM_TOUT125	O1	GTM muxed output	
	—	O2	Reserved	
	—	O3	Reserved	
	—	O4	Reserved	
	—	O5	Reserved	
	I2C1_SDA	O6	Serial Data Output	
	—	O7	Reserved	
D7	P11.14	I	SLOW / PU1 / VFLEX / ES	General-purpose input
	GTM_TIM4_IN7_4			Mux input channel 7 of TIM module 4
	GTM_TIM2_IN7_8			Mux input channel 7 of TIM module 2
	GETH_CRSDVB			Carrier Sense / Data Valid combi-signal for RMII
	GETH_RXDVB			Receive Data Valid MII
	GETH_CRSA			Carrier Sense MII
	I2C1_SCLA			Serial Clock Input 0
	CAN20_RXDF	CAN receive input node 0		
	P11.14	O0	General-purpose output	
	GTM_TOUT126	O1	GTM muxed output	
	—	O2	Reserved	
	—	O3	Reserved	
	—	O4	Reserved	
	—	O5	Reserved	
I2C1_SCL	O6	Serial Clock Output		
—	O7	Reserved		

Pin Definition and Functions: LFBGA-292 ADAS Package Variant Pin

Table 2-47 Port 11 Functions (cont'd)

Ball	Symbol	Ctrl.	Buffer Type	Function
D6	P11.15	I	SLOW / PU1 / VFLEX / ES	General-purpose input
	GTM_TIM4_IN7_5			Mux input channel 7 of TIM module 4
	GTM_TIM0_IN7_8			Mux input channel 7 of TIM module 0
	GETH_COLA			Collision MII
	P11.15	O0		General-purpose output
	GTM_TOUT127	O1		GTM muxed output
	—	O2		Reserved
	—	O3		Reserved
	—	O4		Reserved
	—	O5		Reserved
	—	O6		Reserved
	—	O7		Reserved

Table 2-48 Port 12 Functions

Ball	Symbol	Ctrl.	Buffer Type	Function
E12	P12.0	I	SLOW / PU1 / VFLEX / ES	General-purpose input
	GTM_TIM7_IN3_2			Mux input channel 3 of TIM module 7
	GTM_TIM4_IN0_5			Mux input channel 0 of TIM module 4
	GTM_TIM3_IN0_7			Mux input channel 0 of TIM module 3
	CAN00_RXDC			CAN receive input node 0
	GETH_RXCLKC			Receive Clock MII
	GTM_DTMA4_0			CDTM4_DTM4
	P12.0			O0
	GTM_TOUT128	O1		GTM muxed output
	—	O2		Reserved
	—	O3		Reserved
	—	O4		Reserved
	—	O5		Reserved
	GETH_MDC	O6		MDIO clock
—	O7	Reserved		

Pin Definition and Functions: LFBGA-292 ADAS Package Variant Pin

Table 2-48 Port 12 Functions (cont'd)

Ball	Symbol	Ctrl.	Buffer Type	Function
E11	P12.1	I	SLOW / PU1 / VFLEX / ES	General-purpose input
	GTM_TIM7_IN4_1			Mux input channel 4 of TIM module 7
	GTM_TIM4_IN1_6			Mux input channel 1 of TIM module 4
	GTM_TIM3_IN1_6			Mux input channel 1 of TIM module 3
	GETH_MDIOC			MDIO Input
	P12.1	O0	General-purpose output	
	GTM_TOUT129	O1	GTM muxed output	
	ASCLIN3_ASLSO	O2	Slave select signal output	
	—	O3	Reserved	
	—	O4	Reserved	
	CAN00_TXD	O5	CAN transmit output node 0	
	IOM_MON2_5		Monitor input 2	
	IOM_REF2_5		Reference input 2	
	—	O6	Reserved	
	—	O7	Reserved	
GETH_MDIO	O	MDIO Output		

Table 2-49 Port 14 Functions

Ball	Symbol	Ctrl.	Buffer Type	Function
B16	P14.0	I	FAST / PU1 / VEXT / ES2	General-purpose input
	GTM_TIM1_IN3_5			Mux input channel 3 of TIM module 1
	GTM_TIM0_IN3_5			Mux input channel 3 of TIM module 0
	SENT_SENT17D			Receive input channel 17
	P14.0	O0	General-purpose output	
	GTM_TOUT80	O1	GTM muxed output	
	ASCLIN0_ATX	O2	Transmit output	
	IOM_MON2_12		Monitor input 2	
	IOM_REF2_12	O3	Reference input 2	
	ERAY0_TXDA		Transmit Channel A	
	ERAY0_TXDB		Transmit Channel B	
	CAN01_TXD	O5	CAN transmit output node 1	
	IOM_MON2_6		Monitor input 2	
	IOM_REF2_6	O6	Reference input 2	
	ASCLIN0_ASCLK		Shift clock output	
	CCU60_COUT62	O7	T12 PWM channel 62	
	IOM_MON1_5		Monitor input 1	
	IOM_REF1_1		Reference input 1	

Pin Definition and Functions: LFBGA-292 ADAS Package Variant Pin

Table 2-49 Port 14 Functions (cont'd)

Ball	Symbol	Ctrl.	Buffer Type	Function
A15	P14.1	I	FAST / PU1 / VEXT / ES2	General-purpose input
	GTM_TIM1_IN4_3			Mux input channel 4 of TIM module 1
	GTM_TIM0_IN4_3			Mux input channel 4 of TIM module 0
	ERAY0_RXDA3			Receive Channel A3
	ASCLIN0_ARXA			Receive input
	SENT_SENT18D			Receive input channel 18
	ERAY0_RXDB3			Receive Channel B3
	CAN01_RXDB			CAN receive input node 1
	SCU_E_REQ3_1			ERU Channel 3 inputs 0 to 5 (0 is the LSB and 5 is the MSB)
	PMS_PINAWKP			PINA (P14.1) pin input
	P14.1	O0	General-purpose output	
	GTM_TOUT81	O1	GTM muxed output	
	ASCLIN0_ATX	O2	Transmit output	
	IOM_MON2_12		Monitor input 2	
	IOM_REF2_12		Reference input 2	
	—	O3	Reserved	
	—	O4	Reserved	
	—	O5	Reserved	
	—	O6	Reserved	
	CCU60_COUT63	O7	T13 PWM channel 63	
IOM_MON1_6		Monitor input 1		
IOM_REF1_0		Reference input 1		
E13	P14.2	I	SLOW / PU2 / VEXT / ES	General-purpose input
	GTM_TIM1_IN5_3			Mux input channel 5 of TIM module 1
	GTM_TIM0_IN5_3			Mux input channel 5 of TIM module 0
	PMS_HWCFG2IN			HWCFG2 pin input
	P14.2	O0	General-purpose output	
	GTM_TOUT82	O1	GTM muxed output	
	ASCLIN2_ATX	O2	Transmit output	
	IOM_MON2_14		Monitor input 2	
	IOM_REF2_14		Reference input 2	
	QSPI2_SLSO1	O3	Master slave select output	
	—	O4	Reserved	
	—	O5	Reserved	
	ASCLIN2_ASCLK	O6	Shift clock output	
	—	O7	Reserved	

Pin Definition and Functions: LFBGA-292 ADAS Package Variant Pin

Table 2-49 Port 14 Functions (cont'd)

Ball	Symbol	Ctrl.	Buffer Type	Function
B14	P14.3	I	SLOW / PU2 / VEXT / ES	General-purpose input
	GTM_TIM1_IN6_3			Mux input channel 6 of TIM module 1
	GTM_TIM0_IN6_3			Mux input channel 6 of TIM module 0
	PMS_HWCFG3IN			HWCFG3 pin input
	ASCLIN2_ARXA			Receive input
	MSC0_SDI2			Upstream assynchronous input signal
	SCU_E_REQ1_0			ERU Channel 1 inputs 0 to 5 (0 is the LSB and 5 is the MSB)
	P14.3	O0	General-purpose output	
	GTM_TOUT83	O1	GTM muxed output	
	ASCLIN2_ATX	O2	Transmit output	
	IOM_MON2_14		Monitor input 2	
	IOM_REF2_14		Reference input 2	
	QSPI2_SLSO3	O3	Master slave select output	
	ASCLIN1_ASLSO	O4	Slave select signal output	
	ASCLIN3_ASLSO	O5	Slave select signal output	
	—	O6	Reserved	
	—	O7	Reserved	
B15	P14.4	I	SLOW / PU2 / VEXT / ES	General-purpose input
	GTM_TIM1_IN7_2			Mux input channel 7 of TIM module 1
	GTM_TIM0_IN7_2			Mux input channel 7 of TIM module 0
	PMS_HWCFG6IN			HWCFG6 pin input
	GTM_DTMT0_0			CDTM0_DTM0
	P14.4	O0	General-purpose output	
	GTM_TOUT84	O1	GTM muxed output	
	—	O2	Reserved	
	—	O3	Reserved	
	—	O4	Reserved	
	—	O5	Reserved	
	GETH_PPS	O6	Pulse Per Second	
	—	O7	Reserved	

Pin Definition and Functions: LFBGA-292 ADAS Package Variant Pin

Table 2-49 Port 14 Functions (cont'd)

Ball	Symbol	Ctrl.	Buffer Type	Function
A14	P14.5	I	FAST / PU2 / VEXT / ES	General-purpose input
	GTM_TIM1_IN0_4			Mux input channel 0 of TIM module 1
	GTM_TIM0_IN0_4			Mux input channel 0 of TIM module 0
	PMS_HWCFG1IN			HWCFG1 pin input
	QSPI5_MRSTB			Master SPI data input
	GTM_DTMA2_0			CDTM2_DTM4
	P14.5			O0
	GTM_TOUT85	O1	GTM muxed output	
	—	O2	Reserved	
	QSPI5_MRST	O3	Slave SPI data output	
	—	O4	Reserved	
	—	O5	Reserved	
	ERAY0_TXDB	O6	Transmit Channel B	
	ERAY1_TXDB	O7	Transmit Channel B	
B13	P14.6	I	FAST / PU1 / VEXT / ES	General-purpose input
	GTM_TIM1_IN1_4			Mux input channel 1 of TIM module 1
	GTM_TIM0_IN1_4			Mux input channel 1 of TIM module 0
	QSPI5_MTSRB			Slave SPI data input
	P14.6	O0	General-purpose output	
	GTM_TOUT86	O1	GTM muxed output	
	QSPI5_MTSR	O2	Master SPI data output	
	QSPI2_SLSO2	O3	Master slave select output	
	CAN13_TXD	O4	CAN transmit output node 3	
	—	O5	Reserved	
	ERAY0_TXENB	O6	Transmit Enable Channel B	
	ERAY1_TXENB	O7	Transmit Enable Channel B	

Pin Definition and Functions: LFBGA-292 ADAS Package Variant Pin

Table 2-49 Port 14 Functions (cont'd)

Ball	Symbol	Ctrl.	Buffer Type	Function	
D13	P14.7	I	SLOW / PU1 / VEXT / ES	General-purpose input	
	GTM_TIM4_IN7_10			Mux input channel 7 of TIM module 4	
	GTM_TIM1_IN0_5			Mux input channel 0 of TIM module 1	
	GTM_TIM0_IN0_5			Mux input channel 0 of TIM module 0	
	ERAY0_RXDB0			Receive Channel B0	
	ERAY1_RXDB0			Receive Channel B0	
	CAN10_RXDB			CAN receive input node 0	
	CAN13_RXDA			CAN receive input node 3	
	ASCLIN9_ARXC			Receive input	
	P14.7			O0	General-purpose output
	GTM_TOUT87			O1	GTM muxed output
	ASCLIN0_ARTS			O2	Ready to send output
	QSPI2_SLSO4			O3	Master slave select output
	ASCLIN9_ATX			O4	Transmit output
—	O5	Reserved			
—	O6	Reserved			
—	O7	Reserved			
A13	P14.8	I	SLOW / PU1 / VEXT / ES	General-purpose input	
	GTM_TIM3_IN2_3			Mux input channel 2 of TIM module 3	
	GTM_TIM2_IN2_3			Mux input channel 2 of TIM module 2	
	ERAY0_RXDA0			Receive Channel A0	
	CAN02_RXDD			CAN receive input node 2	
	ASCLIN1_ARXD			Receive input	
	ERAY1_RXDA0			Receive Channel A0	
	P14.8			O0	General-purpose output
	GTM_TOUT88			O1	GTM muxed output
	ASCLIN5_ASLSO			O2	Slave select signal output
	ASCLIN7_ASLSO			O3	Slave select signal output
	—			O4	Reserved
	—			O5	Reserved
	—			O6	Reserved
—	O7	Reserved			

Pin Definition and Functions: LFBGA-292 ADAS Package Variant Pin

Table 2-49 Port 14 Functions (cont'd)

Ball	Symbol	Ctrl.	Buffer Type	Function
D12	P14.9	I	LVDS_R X/FAST/ PU1/ VEXT/ ES	General-purpose input
	GTM_TIM3_IN3_3			Mux input channel 3 of TIM module 3
	GTM_TIM2_IN3_3			Mux input channel 3 of TIM module 2
	ASCLIN0_ACTSA			Clear to send input
	QSPI2_MRSTFN			Master SPI data input (LVDS N line)
	ASCLIN9_ARXD			Receive input
	P14.9	O0	General-purpose output	
	GTM_TOUT89	O1	GTM muxed output	
	CAN23_TXD	O2	CAN transmit output node 3	
	MSC0_EN1	O3	Chip Select	
	CAN10_TXD	O4	CAN transmit output node 0	
	ERAY0_TXENB	O5	Transmit Enable Channel B	
	ERAY0_TXENA	O6	Transmit Enable Channel A	
	ERAY1_TXENA	O7	Transmit Enable Channel A	
D11	P14.10	I	LVDS_R X/FAST/ PU1/ VEXT/ ES	General-purpose input
	GTM_TIM3_IN4_3			Mux input channel 4 of TIM module 3
	GTM_TIM2_IN4_3			Mux input channel 4 of TIM module 2
	CAN23_RXDA			CAN receive input node 3
	QSPI2_MRSTFP			Master SPI data input (LVDS P line)
	P14.10	O0	General-purpose output	
	GTM_TOUT90	O1	GTM muxed output	
	QSPI5_SCLK	O2	Master SPI clock output	
	MSC0_EN0	O3	Chip Select	
	ASCLIN1_ATX	O4	Transmit output	
	IOM_MON2_13	O5	Monitor input 2	
	IOM_REF2_13		Reference input 2	
	CAN02_TXD		CAN transmit output node 2	
	IOM_MON2_7	O6	Monitor input 2	
	IOM_REF2_7		Reference input 2	
	ERAY0_TXDA	O6	Transmit Channel A	
ERAY1_TXDA	O7	Transmit Channel A		

Pin Definition and Functions: LFBGA-292 ADAS Package Variant Pin

Table 2-50 Port 15 Functions

Ball	Symbol	Ctrl.	Buffer Type	Function
B20	P15.0	I	FAST / PU1 / VEXT / ES	General-purpose input
	GTM_TIM3_IN3_4			Mux input channel 3 of TIM module 3
	GTM_TIM2_IN3_4			Mux input channel 3 of TIM module 2
	SDMMC0_DAT7_IN			read data in
	P15.0	O0		General-purpose output
	GTM_TOUT71	O1		GTM muxed output
	ASCLIN1_ATX	O2		Transmit output
	IOM_MON2_13			Monitor input 2
	IOM_REF2_13			Reference input 2
	QSPI0_SLSO13	O3		Master slave select output
	—	O4		Reserved
	CAN02_TXD	O5		CAN transmit output node 2
	IOM_MON2_7	O6		Monitor input 2
	IOM_REF2_7			Reference input 2
	ASCLIN1_ASCLK	O6		Shift clock output
	—	O7		Reserved
SDMMC0_DAT7	O	write data out		
A18	P15.1	I	FAST / PU1 / VEXT / ES	General-purpose input
	GTM_TIM3_IN4_4			Mux input channel 4 of TIM module 3
	GTM_TIM2_IN4_4			Mux input channel 4 of TIM module 2
	CAN02_RXDA			CAN receive input node 2
	ASCLIN1_ARXA			Receive input
	QSPI2_SLSIB			Slave select input
	SCU_E_REQ7_2			ERU Channel 7 inputs 0 to 5 (0 is the LSB and 5 is the MSB)
	P15.1	O0		General-purpose output
	GTM_TOUT72	O1		GTM muxed output
	ASCLIN1_ATX	O2		Transmit output
	IOM_MON2_13			Monitor input 2
	IOM_REF2_13			Reference input 2
	QSPI2_SLSO5	O3		Master slave select output
	—	O4		Reserved
	—	O5		Reserved
	—	O6		Reserved
SDMMC0_CLK	O7	card clock		

Pin Definition and Functions: LFBGA-292 ADAS Package Variant Pin

Table 2-50 Port 15 Functions (cont'd)

Ball	Symbol	Ctrl.	Buffer Type	Function
C19	P15.2	I	FAST / PU1 / VEXT / ES	General-purpose input
	GTM_TIM3_IN5_4			Mux input channel 5 of TIM module 3
	GTM_TIM2_IN5_4			Mux input channel 5 of TIM module 2
	QSPI2_SLSIA			Slave select input
	SENT_SENT10D			Receive input channel 10
	QSPI2_MRSTE			Master SPI data input
	QSPI2_HSIICINA			Highspeed capture channel
	P15.2	O0	General-purpose output	
	GTM_TOUT73	O1	GTM muxed output	
	ASCLIN0_ATX	O2	Transmit output	
	IOM_MON2_12		Monitor input 2	
	IOM_REF2_12		Reference input 2	
	QSPI2_SLSO0	O3	Master slave select output	
	—	O4	Reserved	
	CAN01_TXD	O5	CAN transmit output node 1	
	IOM_MON2_6		Monitor input 2	
	IOM_REF2_6		Reference input 2	
	ASCLIN0_ASCLK	O6	Shift clock output	
	—	O7	Reserved	
B17	P15.3	I	FAST / PU1 / VEXT / ES	General-purpose input
	GTM_TIM3_IN6_4			Mux input channel 6 of TIM module 3
	GTM_TIM2_IN6_4			Mux input channel 6 of TIM module 2
	CAN01_RXDA			CAN receive input node 1
	ASCLIN0_ARXB			Receive input
	QSPI2_SCLKA			Slave SPI clock inputs
	QSPI2_HSIICINB			Highspeed capture channel
	SDMMC0_CMD_IN	command in		
	P15.3	O0	General-purpose output	
	GTM_TOUT74	O1	GTM muxed output	
	ASCLIN0_ATX	O2	Transmit output	
	IOM_MON2_12		Monitor input 2	
	IOM_REF2_12		Reference input 2	
	QSPI2_SCLK	O3	Master SPI clock output	
	—	O4	Reserved	
	MSC0_EN1	O5	Chip Select	
	—	O6	Reserved	
	—	O7	Reserved	
	SDMMC0_CMD	O	command out	

Pin Definition and Functions: LFBGA-292 ADAS Package Variant Pin

Table 2-50 Port 15 Functions (cont'd)

Ball	Symbol	Ctrl.	Buffer Type	Function
A17	P15.4	I	FAST / PU1 / VEXT / ES	General-purpose input
	GTM_TIM3_IN7_4			Mux input channel 7 of TIM module 3
	GTM_TIM2_IN7_4			Mux input channel 7 of TIM module 2
	I2C0_SCLC			Serial Clock Input 2
	QSPI2_MRSTA			Master SPI data input
	SCU_E_REQ0_0			ERU Channel 0 inputs 0 to 5 (0 is the LSB and 5 is the MSB)
	SENT_SENT11D			Receive input channel 11
	P15.4			O0
	GTM_TOUT75	O1	GTM muxed output	
	ASCLIN1_ATX	O2	Transmit output	
	IOM_MON2_13		Monitor input 2	
	IOM_REF2_13		Reference input 2	
	QSPI2_MRST	O3	Slave SPI data output	
	IOM_MON2_2		Monitor input 2	
	IOM_REF2_2		Reference input 2	
	—	O4	Reserved	
	—	O5	Reserved	
	I2C0_SCL	O6	Serial Clock Output	
	CCU60_CC62	O7	T12 PWM channel 62	
	IOM_MON1_0		Monitor input 1	
IOM_REF1_4	Reference input 1			

Pin Definition and Functions: LFBGA-292 ADAS Package Variant Pin

Table 2-50 Port 15 Functions (cont'd)

Ball	Symbol	Ctrl.	Buffer Type	Function	
E14	P15.5	I	FAST / PU1 / VEXT / ES	General-purpose input	
	GTM_TIM3_IN0_4			Mux input channel 0 of TIM module 3	
	GTM_TIM2_IN0_4			Mux input channel 0 of TIM module 2	
	ASCLIN1_ARXB			Receive input	
	I2C0_SDAC			Serial Data Input 2	
	QSPI2_MTSRA			Slave SPI data input	
	SCU_E_REQ4_3			ERU Channel 4 inputs 0 to 5 (0 is the LSB and 5 is the MSB)	
	P15.5			O0	General-purpose output
	GTM_TOUT76			O1	GTM muxed output
	ASCLIN1_ATX			O2	Transmit output
	IOM_MON2_13				Monitor input 2
	IOM_REF2_13			O3	Reference input 2
	QSPI2_MTSR				Master SPI data output
	—			O4	Reserved
	MSC0_EN0			O5	Chip Select
	I2C0_SDA			O6	Serial Data Output
	CCU60_CC61			O7	T12 PWM channel 61
IOM_MON1_1	Monitor input 1				
IOM_REF1_5	Reference input 1				
A16	P15.6	I	FAST / PU1 / VEXT / ES	General-purpose input	
	GTM_TIM2_IN2_14			Mux input channel 2 of TIM module 2	
	GTM_TIM1_IN0_6			Mux input channel 0 of TIM module 1	
	GTM_TIM0_IN0_6			Mux input channel 0 of TIM module 0	
	QSPI2_MTSRB			Slave SPI data input	
	P15.6			O0	General-purpose output
	GTM_TOUT77			O1	GTM muxed output
	ASCLIN3_ATX			O2	Transmit output
	IOM_MON2_15				Monitor input 2
	IOM_REF2_15			O3	Reference input 2
	QSPI2_MTSR				Master SPI data output
	QSPI5_SLSO3			O4	Master slave select output
	QSPI2_SCLK			O5	Master SPI clock output
	ASCLIN3_ASCLK			O6	Shift clock output
	CCU60_CC60				T12 PWM channel 60
IOM_MON1_2	Monitor input 1				
IOM_REF1_6	O7	Reference input 1			

Pin Definition and Functions: LFBGA-292 ADAS Package Variant Pin

Table 2-50 Port 15 Functions (cont'd)

Ball	Symbol	Ctrl.	Buffer Type	Function
D15	P15.7	I	FAST / PU1 / VEXT / ES	General-purpose input
	GTM_TIM1_IN1_5			Mux input channel 1 of TIM module 1
	GTM_TIM0_IN1_5			Mux input channel 1 of TIM module 0
	ASCLIN3_ARXA			Receive input
	QSPI2_MRSTB			Master SPI data input
	P15.7	O0	General-purpose output	
	GTM_TOUT78	O1	GTM muxed output	
	ASCLIN3_ATX	O2	Transmit output	
	IOM_MON2_15	O3	Monitor input 2	
	IOM_REF2_15		Reference input 2	
	QSPI2_MRST		Slave SPI data output	
	IOM_MON2_2	Monitor input 2		
	IOM_REF2_2	Reference input 2		
	—	O4	Reserved	
	—	O5	Reserved	
	—	O6	Reserved	
	CCU60_COUT60	O7	T12 PWM channel 60	
IOM_MON1_3	O7	Monitor input 1		
IOM_REF1_3		Reference input 1		
D14	P15.8	I	FAST / PU1 / VEXT / ES	General-purpose input
	GTM_TIM1_IN2_5			Mux input channel 2 of TIM module 1
	GTM_TIM0_IN2_5			Mux input channel 2 of TIM module 0
	QSPI2_SCLKB			Slave SPI clock inputs
	SCU_E_REQ5_0			ERU Channel 5 inputs 0 to 5 (0 is the LSB and 5 is the MSB)
	P15.8	O0	General-purpose output	
	GTM_TOUT79	O1	GTM muxed output	
	—	O2	Reserved	
	QSPI2_SCLK	O3	Master SPI clock output	
	—	O4	Reserved	
	—	O5	Reserved	
	ASCLIN3_ASCLK	O6	Shift clock output	
	CCU60_COUT61	O7	T12 PWM channel 61	
	IOM_MON1_4	O7	Monitor input 1	
IOM_REF1_2	Reference input 1			

Pin Definition and Functions: LFBGA-292 ADAS Package Variant Pin

Table 2-51 Port 20 Functions

Ball	Symbol	Ctrl.	Buffer Type	Function
H20	P20.0	I	FAST / PU1 / VEXT / ES	General-purpose input
	GTM_TIM1_IN6_7			Mux input channel 6 of TIM module 1
	GTM_TIM1_IN4_9			Mux input channel 4 of TIM module 1
	GTM_TIM0_IN6_7			Mux input channel 6 of TIM module 0
	CAN03_RXDC			CAN receive input node 3
	CCU_PAD_SYSCCLK			Sysclk input
	CAN21_RXDC			CAN receive input node 1
	CBS_TGI0			Trigger input
	SCU_E_REQ6_0			ERU Channel 6 inputs 0 to 5 (0 is the LSB and 5 is the MSB)
	GPT120_T6EUDA			Count direction control input of core timer T6
	P20.0	O0	General-purpose output	
	GTM_TOUT59	O1	GTM muxed output	
	ASCLIN3_ATX	O2	Transmit output	
	IOM_MON2_15		Monitor input 2	
	IOM_REF2_15		Reference input 2	
	ASCLIN3_ASCLK	O3	Shift clock output	
	—	O4	Reserved	
	HSCT0_SYSCCLK_OUT	O5	sys clock output	
	—	O6	Reserved	
	—	O7	Reserved	
CBS_TGO0	O	Trigger output		
G19	P20.1	I	SLOW / PU1 / VEXT / ES	General-purpose input
	GTM_TIM4_IN4_11			Mux input channel 4 of TIM module 4
	GTM_TIM3_IN3_5			Mux input channel 3 of TIM module 3
	GTM_TIM2_IN3_5			Mux input channel 3 of TIM module 2
	CBS_TGI1			Trigger input
	GTM_DTMA1_1			CDTM1_DTM4
	P20.1	O0	General-purpose output	
	GTM_TOUT60	O1	GTM muxed output	
	—	O2	Reserved	
	—	O3	Reserved	
	—	O4	Reserved	
	—	O5	Reserved	
	—	O6	Reserved	
	—	O7	Reserved	
	CBS_TGO1	O	Trigger output	

Pin Definition and Functions: LFBGA-292 ADAS Package Variant Pin

Table 2-51 Port 20 Functions (cont'd)

Ball	Symbol	Ctrl.	Buffer Type	Function
H19	P20.2	I	S / PU / VEXT	General-purpose input This pin is latched at power on reset release to enter test mode.
	$\overline{\text{TESTMODE}}$			Testmode Enable Input
G20	P20.3	I	SLOW / PU1 / VEXT / ES	General-purpose input
	GTM_TIM4_IN5_11			Mux input channel 5 of TIM module 4
	GTM_TIM3_IN4_5			Mux input channel 4 of TIM module 3
	GTM_TIM2_IN4_5			Mux input channel 4 of TIM module 2
	ASCLIN3_ARXC			Receive input
	GPT120_T6INA			Trigger/gate input of core timer T6
	P20.3	O0		General-purpose output
	GTM_TOUT61	O1		GTM muxed output
	ASCLIN3_ATX	O2		Transmit output
	IOM_MON2_15			Monitor input 2
	IOM_REF2_15			Reference input 2
	QSPI0_SLSO9	O3		Master slave select output
	QSPI2_SLSO9	O4		Master slave select output
	CAN03_TXD	O5		CAN transmit output node 3
	IOM_MON2_8			Monitor input 2
	IOM_REF2_8			Reference input 2
	CAN21_TXD	O6		CAN transmit output node 1
—	O7	Reserved		
F17	P20.6	I	SLOW / PU1 / VEXT / ES	General-purpose input
	GTM_TIM6_IN0_1			Mux input channel 0 of TIM module 6
	GTM_TIM3_IN6_5			Mux input channel 6 of TIM module 3
	GTM_TIM2_IN6_5			Mux input channel 6 of TIM module 2
	CAN12_RXDA			CAN receive input node 2
	ASCLIN9_ARXE			Receive input
	P20.6	O0		General-purpose output
	GTM_TOUT62	O1		GTM muxed output
	ASCLIN1_ARTS	O2		Ready to send output
	QSPI0_SLSO8	O3		Master slave select output
	QSPI2_SLSO8	O4		Master slave select output
	—	O5		Reserved
	—	O6		Reserved
	—	O7		Reserved

Pin Definition and Functions: LFBGA-292 ADAS Package Variant Pin

Table 2-51 Port 20 Functions (cont'd)

Ball	Symbol	Ctrl.	Buffer Type	Function
F19	P20.7	I	FAST / PU1 / VEXT / ES	General-purpose input
	GTM_TIM3_IN7_5			Mux input channel 7 of TIM module 3
	GTM_TIM2_IN7_5			Mux input channel 7 of TIM module 2
	GTM_TIM1_IN5_8			Mux input channel 5 of TIM module 1
	GTM_TIM6_IN1_1			Mux input channel 1 of TIM module 6
	CAN00_RXDB			CAN receive input node 0
	ASCLIN1_ACTSA			Clear to send input
	ASCLIN9_ARXF			Receive input
	SDMMC0_DAT0_IN			read data in
	P20.7			O0
	GTM_TOUT63	O1	GTM muxed output	
	ASCLIN9_ATX	O2	Transmit output	
	—	O3	Reserved	
	—	O4	Reserved	
	CAN12_TXD	O5	CAN transmit output node 2	
	—	O6	Reserved	
	CCU61_COUT63	O7	T13 PWM channel 63	
	IOM_MON1_7		Monitor input 1	
	IOM_REF1_7		Reference input 1	
SDMMC0_DAT0	O	write data out		
F20	P20.8	I	FAST / PU1 / VEXT / ES	General-purpose input
	GTM_TIM6_IN2_1			Mux input channel 2 of TIM module 6
	GTM_TIM1_IN7_3			Mux input channel 7 of TIM module 1
	GTM_TIM0_IN7_3			Mux input channel 7 of TIM module 0
	SDMMC0_DAT1_IN			read data in
	P20.8	O0	General-purpose output	
	GTM_TOUT64	O1	GTM muxed output	
	ASCLIN1_ASLSO	O2	Slave select signal output	
	QSPI0_SLSO0	O3	Master slave select output	
	QSPI1_SLSO0	O4	Master slave select output	
	CAN00_TXD	O5	CAN transmit output node 0	
	IOM_MON2_5		Monitor input 2	
	IOM_REF2_5		Reference input 2	
	—	O6	Reserved	
	CCU61_CC60	O7	T12 PWM channel 60	
	IOM_MON1_8		Monitor input 1	
	IOM_REF1_13		Reference input 1	
SDMMC0_DAT1	O	write data out		

Pin Definition and Functions: LFBGA-292 ADAS Package Variant Pin

Table 2-51 Port 20 Functions (cont'd)

Ball	Symbol	Ctrl.	Buffer Type	Function	
E17	P20.9	I	FAST / PU1 / VEXT / ES	General-purpose input	
	GTM_TIM6_IN3_1			Mux input channel 3 of TIM module 6	
	GTM_TIM3_IN5_5			Mux input channel 5 of TIM module 3	
	GTM_TIM2_IN5_5			Mux input channel 5 of TIM module 2	
	CAN03_RXDE			CAN receive input node 3	
	ASCLIN1_ARXC			Receive input	
	QSPIO_SLSIB			Slave select input	
	SCU_E_REQ7_0			ERU Channel 7 inputs 0 to 5 (0 is the LSB and 5 is the MSB)	
	P20.9			O0	General-purpose output
	GTM_TOUT65			O1	GTM muxed output
	—			O2	Reserved
	QSPIO_SLSO1			O3	Master slave select output
	QSPIO_SLSO1			O4	Master slave select output
	—	O5	Reserved		
	—	O6	Reserved		
	CCU61_CC61	O7	T12 PWM channel 61		
	IOM_MON1_9		Monitor input 1		
	IOM_REF1_12		Reference input 1		
	E19	P20.10	I	FAST / PU1 / VEXT / ES	General-purpose input
GTM_TIM3_IN6_6		Mux input channel 6 of TIM module 3			
GTM_TIM2_IN6_6		Mux input channel 6 of TIM module 2			
SDMMC0_DAT2_IN		read data in			
P20.10		O0			General-purpose output
GTM_TOUT66		O1			GTM muxed output
ASCLIN1_ATX		O2			Transmit output
IOM_MON2_13					Monitor input 2
IOM_REF2_13					Reference input 2
QSPIO_SLSO6		O3			Master slave select output
QSPIO_SLSO7		O4			Master slave select output
CAN03_TXD		O5			CAN transmit output node 3
IOM_MON2_8					Monitor input 2
IOM_REF2_8			Reference input 2		
ASCLIN1_ASCLK		O6	Shift clock output		
CCU61_CC62		O7	T12 PWM channel 62		
IOM_MON1_10			Monitor input 1		
IOM_REF1_11			Reference input 1		
SDMMC0_DAT2		O	write data out		

Pin Definition and Functions: LFBGA-292 ADAS Package Variant Pin

Table 2-51 Port 20 Functions (cont'd)

Ball	Symbol	Ctrl.	Buffer Type	Function
E20	P20.11	I	FAST / PU1 / VEXT / ES	General-purpose input
	GTM_TIM3_IN7_6			Mux input channel 7 of TIM module 3
	GTM_TIM2_IN7_6			Mux input channel 7 of TIM module 2
	QSPIO_SCLKA			Slave SPI clock inputs
	SDMMC0_DAT3_IN			read data in
	P20.11	O0		General-purpose output
	GTM_TOUT67	O1		GTM muxed output
	—	O2		Reserved
	QSPIO_SCLK	O3		Master SPI clock output
	—	O4		Reserved
	—	O5		Reserved
	—	O6		Reserved
	CCU61_COUT60	O7		T12 PWM channel 60
	IOM_MON1_11			Monitor input 1
	IOM_REF1_10			Reference input 1
SDMMC0_DAT3	O	write data out		
D19	P20.12	I	FAST / PU1 / VEXT / ES	General-purpose input
	GTM_TIM3_IN0_5			Mux input channel 0 of TIM module 3
	GTM_TIM2_IN0_5			Mux input channel 0 of TIM module 2
	QSPIO_MRSTA			Master SPI data input
	SDMMC0_DAT4_IN			read data in
	IOM_PIN_13	GPIO pad input to FPC		
	P20.12	O0		General-purpose output
	GTM_TOUT68	O1		GTM muxed output
	IOM_MON0_13	O2		Monitor input 0
	—			Reserved
	QSPIO_MRST			Slave SPI data output
	IOM_MON2_0	O3		Monitor input 2
	IOM_REF2_0			Reference input 2
	QSPIO_MTSR	O4		Master SPI data output
	—	O5		Reserved
	—	O6		Reserved
	CCU61_COUT61	O7		T12 PWM channel 61
	IOM_MON1_12	O		Monitor input 1
IOM_REF1_9	Reference input 1			
SDMMC0_DAT4	write data out			

Pin Definition and Functions: LFBGA-292 ADAS Package Variant Pin

Table 2-51 Port 20 Functions (cont'd)

Ball	Symbol	Ctrl.	Buffer Type	Function	
D20	P20.13	I	FAST / PU1 / VEXT / ES	General-purpose input	
	GTM_TIM3_IN1_4			Mux input channel 1 of TIM module 3	
	GTM_TIM2_IN1_4			Mux input channel 1 of TIM module 2	
	QSPIO_SLSIA			Slave select input	
	SDMMC0_DAT5_IN			read data in	
	IOM_PIN_14			GPIO pad input to FPC	
	P20.13	O0	FAST / PU1 / VEXT / ES	General-purpose output	
	GTM_TOUT69	O1		GTM muxed output	
	IOM_MON0_14			Monitor input 0	
	—	O2		Reserved	
	QSPIO_SLSO2	O3		Master slave select output	
	QSPIO_SLSO2	O4		Master slave select output	
	QSPIO_SCLK	O5		Master SPI clock output	
	—	O6		Reserved	
	CCU61_COUT62	O7		T12 PWM channel 62	
	IOM_MON1_13			Monitor input 1	
	IOM_REF1_8			Reference input 1	
	SDMMC0_DAT5	O		write data out	
	C20	P20.14		I	FAST / PU1 / VEXT / ES
GTM_TIM3_IN2_4		Mux input channel 2 of TIM module 3			
GTM_TIM2_IN2_4		Mux input channel 2 of TIM module 2			
QSPIO_MTSRA		Slave SPI data input			
SDMMC0_DAT6_IN		read data in			
IOM_PIN_15		GPIO pad input to FPC			
P20.14		O0		FAST / PU1 / VEXT / ES	General-purpose output
GTM_TOUT70		O1	GTM muxed output		
IOM_MON0_15			Monitor input 0		
—		O2	Reserved		
QSPIO_MTSR		O3	Master SPI data output		
—		O4	Reserved		
—		O5	Reserved		
—		O6	Reserved		
—		O7	Reserved		
SDMMC0_DAT6		O	write data out		

Pin Definition and Functions: LFBGA-292 ADAS Package Variant Pin

Table 2-52 Port 21 Functions

Ball	Symbol	Ctrl.	Buffer Type	Function
K17	P21.0	I	LVDS_R X/FAST/ PU1/ VEXT/ ES	General-purpose input
	GTM_TIM4_IN0_11			Mux input channel 0 of TIM module 4
	GTM_TIM3_IN4_6			Mux input channel 4 of TIM module 3
	GTM_TIM2_IN4_6			Mux input channel 4 of TIM module 2
	QSPI4_MRSTDN			Master SPI data input (LVDS N line)
	DMU_FDEST			Enter destructive debug mode
	ASCLIN11_ARXC			Receive input
	HSCT1_RXDN			Rx data
	P21.0	O0	General-purpose output	
	GTM_TOUT51	O1	GTM muxed output	
	ASCLIN11_ATX	O2	Transmit output	
	—	O3	Reserved	
	—	O4	Reserved	
	—	O5	Reserved	
	—	O6	Reserved	
	—	O7	Reserved	
HSM_HSM1	O	Pin Output Value		
J17	P21.1	I	LVDS_R X/FAST/ PU1/ VEXT/ ES	General-purpose input
	GTM_TIM4_IN1_13			Mux input channel 1 of TIM module 4
	GTM_TIM3_IN5_6			Mux input channel 5 of TIM module 3
	GTM_TIM2_IN5_6			Mux input channel 5 of TIM module 2
	QSPI4_MRSTDP			Master SPI data input (LVDS P line)
	ASCLIN11_ARXD			Receive input
	HSCT1_RXDP			Rx data
	GTM_DTMA4_1			CDTM4_DTM4
	P21.1	O0	General-purpose output	
	GTM_TOUT52	O1	GTM muxed output	
	—	O2	Reserved	
	—	O3	Reserved	
	—	O4	Reserved	
	—	O5	Reserved	
	—	O6	Reserved	
	—	O7	Reserved	
HSM_HSM2	O	Pin Output Value		

Pin Definition and Functions: LFBGA-292 ADAS Package Variant Pin

Table 2-52 Port 21 Functions (cont'd)

Ball	Symbol	Ctrl.	Buffer Type	Function
K19	P21.2	I	LVDS_R X/FAST/ PU1/ VEXT/ ES	General-purpose input
	GTM_TIM5_IN4_11			Mux input channel 4 of TIM module 5
	GTM_TIM1_IN0_7			Mux input channel 0 of TIM module 1
	GTM_TIM0_IN0_7			Mux input channel 0 of TIM module 0
	QSPI2_MRSTCN			Master SPI data input (LVDS N line)
	SCU_EMGSTOP_POR T_B			Emergency stop Port Pin B input request
	ASCLIN3_ARXGN			Differential Receive input (low active)
	HSCT0_RXDN			Rx data
	QSPI4_MRSTCN			Master SPI data input (LVDS N line)
	ASCLIN11_ARXE			Receive input
	GTM_DTMA1_0			CDTM1_DTM4
	P21.2	O0		General-purpose output
	GTM_TOUT53	O1		GTM muxed output
	ASCLIN3_ASLSO	O2		Slave select signal output
	—	O3		Reserved
	—	O4		Reserved
	GETH_MDC	O5		MDIO clock
—	O6	Reserved		
—	O7	Reserved		
J19	P21.3	I	LVDS_R X/FAST/ PU1/ VEXT/ ES	General-purpose input
	GTM_TIM5_IN5_12			Mux input channel 5 of TIM module 5
	GTM_TIM1_IN1_6			Mux input channel 1 of TIM module 1
	GTM_TIM0_IN1_6			Mux input channel 1 of TIM module 0
	QSPI2_MRSTCP			Master SPI data input (LVDS P line)
	ASCLIN3_ARXGP			Differential Receive input (high active)
	GETH_MDIOD			MDIO Input
	HSCT0_RXDP			Rx data
	QSPI4_MRSTCP			Master SPI data input (LVDS P line)
	P21.3	O0		General-purpose output
	GTM_TOUT54	O1		GTM muxed output
	ASCLIN11_ASCLK	O2		Shift clock output
	—	O3		Reserved
	—	O4		Reserved
	—	O5		Reserved
	—	O6		Reserved
	—	O7		Reserved
GETH_MDIO	O	MDIO Output		

Pin Definition and Functions: LFBGA-292 ADAS Package Variant Pin

Table 2-52 Port 21 Functions (cont'd)

Ball	Symbol	Ctrl.	Buffer Type	Function
K20	P21.4	I	LVDS_TX / FAST / PU1 / VEXT / ES6	General-purpose input
	GTM_TIM5_IN6_12			Mux input channel 6 of TIM module 5
	GTM_TIM1_IN2_6			Mux input channel 2 of TIM module 1
	GTM_TIM0_IN2_6			Mux input channel 2 of TIM module 0
	P21.4	O0		General-purpose output
	GTM_TOUT55	O1		GTM muxed output
	ASCLIN11_ASLSO	O2		Slave select signal output
	—	O3		Reserved
	—	O4		Reserved
	—	O5		Reserved
	—	O6		Reserved
	—	O7		Reserved
	H SCT0_TXDN	O		Tx data
J20	P21.5	I	LVDS_TX / FAST / PU1 / VEXT / ES6	General-purpose input
	GTM_TIM5_IN7_11			Mux input channel 7 of TIM module 5
	GTM_TIM1_IN3_6			Mux input channel 3 of TIM module 1
	GTM_TIM0_IN3_6			Mux input channel 3 of TIM module 0
	ASCLIN11_ARXF			Receive input
	P21.5	O0		General-purpose output
	GTM_TOUT56	O1		GTM muxed output
	ASCLIN3_ASCLK	O2		Shift clock output
	ASCLIN11_ATX	O3		Transmit output
	—	O4		Reserved
	—	O5		Reserved
	—	O6		Reserved
	—	O7		Reserved
H SCT0_TXDP	O	Tx data		

Pin Definition and Functions: LFBGA-292 ADAS Package Variant Pin

Table 2-52 Port 21 Functions (cont'd)

Ball	Symbol	Ctrl.	Buffer Type	Function
H17	P21.6/TDI	I	FAST / PD / PU2 / VEXT / ES3	General-purpose input PD during Reset and in DAP/DAPE or JTAG mode. After Reset release and when not in DAP/DAPE or JTAG mode: PU. In Standby mode: HighZ.
	GTM_TIM4_IN2_12			Mux input channel 2 of TIM module 4
	GTM_TIM1_IN4_8			Mux input channel 4 of TIM module 1
	GTM_TIM0_IN4_8			Mux input channel 4 of TIM module 0
	GPT120_T5EUDA			Count direction control input of timer T5
	ASCLIN3_ARXF			Receive input
	CBS_TGI2			Trigger input
	TDI			JTAG Module Data Input
	P21.6	O0	General-purpose output	
	GTM_TOUT57	O1	GTM muxed output	
	ASCLIN3_ASLSO	O2	Slave select signal output	
	—	O3	Reserved	
	—	O4	Reserved	
	—	O5	Reserved	
—	O6	Reserved		
GPT120_T3OUT	O7	External output for overflow/underflow detection of core timer T3		
CBS_TGO2	O	Trigger output		
DAP3	I/O	DAP: DAP3 Data I/O		
DAPE1	I/O	DAPE: DAPE1 Data I/O		

Pin Definition and Functions: LFBGA-292 ADAS Package Variant Pin

Table 2-52 Port 21 Functions (cont'd)

Ball	Symbol	Ctrl.	Buffer Type	Function
H16	P21.7/TDO	I	FAST / PU2 / VEXT / ES4	General-purpose input
	GTM_TIM4_IN3_12			Mux input channel 3 of TIM module 4
	GTM_TIM1_IN5_7			Mux input channel 5 of TIM module 1
	GTM_TIM0_IN5_7			Mux input channel 5 of TIM module 0
	GPT120_T5INA			Trigger/gate input of timer T5
	CBS_TGI3			Trigger input
	GETH_RXERB			Receive Error MII
	P21.7	O0		General-purpose output
	GTM_TOUT58	O1		GTM muxed output
	ASCLIN3_ATX	O2		Transmit output
	IOM_MON2_15			Monitor input 2
	IOM_REF2_15	O3		Reference input 2
	ASCLIN3_ASCLK			Shift clock output
	—			Reserved
	—	O4		Reserved
	—	O5		Reserved
	—	O6		Reserved
	GPT120_T6OUT	O7		External output for overflow/underflow detection of core timer T6
	CBS_TGO3	O		Trigger output
	DAP2	I/O		DAP: DAP2 Data I/O
DAPE2	I/O	DAPE: DAPE2 Data I/O		
TDO	O	JTAG Module Data Output		

Pin Definition and Functions: LFBGA-292 ADAS Package Variant Pin

Table 2-53 Port 22 Functions

Ball	Symbol	Ctrl.	Buffer Type	Function
P20	P22.0	I	LVDS_TX / FAST / PU1 / VEXT / ES6	General-purpose input
	GTM_TIM7_IN3_1			Mux input channel 3 of TIM module 7
	GTM_TIM1_IN1_7			Mux input channel 1 of TIM module 1
	GTM_TIM0_IN1_7			Mux input channel 1 of TIM module 0
	QSPI4_MTSRB			Slave SPI data input
	ASCLIN6_ARXE			Receive input
	P22.0	O0		General-purpose output
	GTM_TOUT47	O1		GTM muxed output
	ASCLIN3_ATXN	O2		Differential Transmit output (low active)
	QSPI4_MTSR	O3		Master SPI data output
	QSPI4_SCLKN	O4		Master SPI clock output (LVDS N line)
	MSC1_FCLN	O5		Shift-clock inverted part of the differential signal
	—	O6		Reserved
	ASCLIN6_ATX	O7		Transmit output
P19	P22.1	I	LVDS_TX / FAST / PU1 / VEXT / ES6	General-purpose input
	GTM_TIM7_IN2_1			Mux input channel 2 of TIM module 7
	GTM_TIM1_IN0_8			Mux input channel 0 of TIM module 1
	GTM_TIM0_IN0_8			Mux input channel 0 of TIM module 0
	QSPI4_MRSTB			Master SPI data input
	ASCLIN7_ARXE			Receive input
	P22.1	O0		General-purpose output
	GTM_TOUT48	O1		GTM muxed output
	ASCLIN3_ATXP	O2		Differential Transmit output (high active)
	QSPI4_MRST	O3		Slave SPI data output
	IOM_MON2_4			Monitor input 2
	IOM_REF2_4			Reference input 2
	QSPI4_SCLKP	O4		Master SPI clock output (LVDS P line)
	MSC1_FCLP	O5		Shift-clock direct part of the differential signal
—	O6		Reserved	
ASCLIN7_ATX	O7		Transmit output	

Pin Definition and Functions: LFBGA-292 ADAS Package Variant Pin

Table 2-53 Port 22 Functions (cont'd)

Ball	Symbol	Ctrl.	Buffer Type	Function
R20	P22.2	I	LVDS_TX / FAST / PU1 / VEXT / ES6	General-purpose input
	GTM_TIM7_IN1_1			Mux input channel 1 of TIM module 7
	GTM_TIM1_IN3_7			Mux input channel 3 of TIM module 1
	GTM_TIM0_IN3_7			Mux input channel 3 of TIM module 0
	QSPI4_SLSIB			Slave select input
	P22.2	O0		General-purpose output
	GTM_TOUT49	O1		GTM muxed output
	ASCLIN5_ATX	O2		Transmit output
	QSPI4_SLSO3	O3		Master slave select output
	QSPI4_MTSRN	O4		Master SPI data output (LVDS N line)
	MSC1_SON	O5		Data output - inverted part of the differential signal
	—	O6		Reserved
	—	O7		Reserved
	HSCT1_TXDN	O		Tx data
R19	P22.3	I	LVDS_TX / FAST / PU1 / VEXT / ES6	General-purpose input
	GTM_TIM7_IN0_1			Mux input channel 0 of TIM module 7
	GTM_TIM1_IN4_4			Mux input channel 4 of TIM module 1
	GTM_TIM0_IN4_4			Mux input channel 4 of TIM module 0
	QSPI4_SCLKB			Slave SPI clock inputs
	ASCLIN5_ARXC			Receive input
	P22.3	O0		General-purpose output
	GTM_TOUT50	O1		GTM muxed output
	—	O2		Reserved
	QSPI4_SCLK	O3		Master SPI clock output
	QSPI4_MTSRP	O4		Master SPI data output (LVDS P line)
	MSC1_SOP	O5		Data output - direct part of the differential signal
	—	O6		Reserved
	HSPDM_MUTE	O7		Mute output from the micro controller which could be used to control an external Transmitter
HSCT1_TXDP	O	Tx data		

Pin Definition and Functions: LFBGA-292 ADAS Package Variant Pin

Table 2-53 Port 22 Functions (cont'd)

Ball	Symbol	Ctrl.	Buffer Type	Function
P16	P22.4	I	FAST / PU1 / VEXT / ES	General-purpose input
	GTM_TIM3_IN0_8			Mux input channel 0 of TIM module 3
	ASCLIN7_ARXF			Receive input
	GTM_DTMA3_0			CDTM3_DTM4
	P22.4	O0		General-purpose output
	GTM_TOUT130	O1		GTM muxed output
	ASCLIN4_ASLSO	O2		Slave select signal output
	—	O3		Reserved
	QSPI0_SLSO12	O4		Master slave select output
	—	O5		Reserved
	CAN13_TXD	O6		CAN transmit output node 3
HSPDM_BS0_OUT	O7	Bit stream 0 output to the pad		
P17	P22.5	I	FAST / PU1 / VEXT / ES	General-purpose input
	GTM_TIM3_IN1_7			Mux input channel 1 of TIM module 3
	QSPI0_MTSRC			Slave SPI data input
	CAN13_RXDC			CAN receive input node 3
	P22.5	O0		General-purpose output
	GTM_TOUT131	O1		GTM muxed output
	ASCLIN4_ATX	O2		Transmit output
	—	O3		Reserved
	QSPI0_MTSR	O4		Master SPI data output
	—	O5		Reserved
	—	O6		Reserved
HSPDM_BS1_OUT	O7	Bit stream 1 output to the pad		

Pin Definition and Functions: LFBGA-292 ADAS Package Variant Pin

Table 2-53 Port 22 Functions (cont'd)

Ball	Symbol	Ctrl.	Buffer Type	Function
N16	P22.6	I	SLOW / PU1 / VEXT / ES	General-purpose input
	GTM_TIM3_IN2_6			Mux input channel 2 of TIM module 3
	GTM_TIM2_IN6_14			Mux input channel 6 of TIM module 2
	QSPIO_MRSTC			Master SPI data input
	ASCLIN4_ARXC			Receive input
	P22.6	O0		General-purpose output
	GTM_TOUT132	O1		GTM muxed output
	—	O2		Reserved
	—	O3		Reserved
	QSPIO_MRST	O4		Slave SPI data output
	IOM_MON2_0			Monitor input 2
	IOM_REF2_0			Reference input 2
	CAN21_TXD	O5		CAN transmit output node 1
	—	O6		Reserved
—	O7	Reserved		
N17	P22.7	I	SLOW / PU1 / VEXT / ES	General-purpose input
	GTM_TIM3_IN3_7			Mux input channel 3 of TIM module 3
	QSPIO_SCLKC			Slave SPI clock inputs
	CAN21_RXDF			CAN receive input node 1
	P22.7	O0		General-purpose output
	GTM_TOUT133	O1		GTM muxed output
	ASCLIN4_ASCLK	O2		Shift clock output
	—	O3		Reserved
	QSPIO_SCLK	O4		Master SPI clock output
	—	O5		Reserved
	—	O6		Reserved
	—	O7		Reserved

Pin Definition and Functions: LFBGA-292 ADAS Package Variant Pin

Table 2-53 Port 22 Functions (cont'd)

Ball	Symbol	Ctrl.	Buffer Type	Function
M16	P22.8	I	SLOW / PU1 / VEXT / ES	General-purpose input
	GTM_TIM5_IN0_4			Mux input channel 0 of TIM module 5
	GTM_TIM3_IN4_7			Mux input channel 4 of TIM module 3
	QSPI0_SCLKB			Slave SPI clock inputs
	P22.8	O0		General-purpose output
	GTM_TOUT134	O1		GTM muxed output
	ASCLIN5_ASCLK	O2		Shift clock output
	—	O3		Reserved
	QSPI0_SCLK	O4		Master SPI clock output
	CAN22_TXD	O5		CAN transmit output node 2
	—	O6		Reserved
	—	O7		Reserved
M17	P22.9	I	SLOW / PU1 / VEXT / ES	General-purpose input
	GTM_TIM5_IN1_10			Mux input channel 1 of TIM module 5
	GTM_TIM3_IN5_7			Mux input channel 5 of TIM module 3
	QSPI0_MRSTB			Master SPI data input
	ASCLIN4_ARXD			Receive input
	CAN22_RXDE			CAN receive input node 2
	GTM_DTMA3_1			CDTM3_DTM4
	P22.9	O0		General-purpose output
	GTM_TOUT135	O1		GTM muxed output
	—	O2		Reserved
	—	O3		Reserved
	QSPI0_MRST	O4		Slave SPI data output
	IOM_MON2_0			Monitor input 2
	IOM_REF2_0			Reference input 2
	—			O5
	—	O6		Reserved
—	O7	Reserved		

Pin Definition and Functions: LFBGA-292 ADAS Package Variant Pin

Table 2-53 Port 22 Functions (cont'd)

Ball	Symbol	Ctrl.	Buffer Type	Function
L16	P22.10	I	SLOW / PU1 / VEXT / ES	General-purpose input
	GTM_TIM5_IN2_8			Mux input channel 2 of TIM module 5
	GTM_TIM3_IN6_7			Mux input channel 6 of TIM module 3
	QSPIO_MTSRB			Slave SPI data input
	P22.10	O0		General-purpose output
	GTM_TOUT136	O1		GTM muxed output
	ASCLIN4_ATX	O2		Transmit output
	—	O3		Reserved
	QSPIO_MTSR	O4		Master SPI data output
	CAN23_TXD	O5		CAN transmit output node 3
	—	O6		Reserved
	—	O7		Reserved
L17	P22.11	I	SLOW / PU1 / VEXT / ES	General-purpose input
	GTM_TIM5_IN3_10			Mux input channel 3 of TIM module 5
	GTM_TIM3_IN7_7			Mux input channel 7 of TIM module 3
	CAN23_RXDE			CAN receive input node 3
	P22.11	O0		General-purpose output
	GTM_TOUT137	O1		GTM muxed output
	ASCLIN4_ASLSO	O2		Slave select signal output
	—	O3		Reserved
	QSPIO_SLSO10	O4		Master slave select output
	—	O5		Reserved
	—	O6		Reserved
	—	O7		Reserved

Pin Definition and Functions: LFBGA-292 ADAS Package Variant Pin

Table 2-54 Port 23 Functions

Ball	Symbol	Ctrl.	Buffer Type	Function
V20	P23.0	I	SLOW / PU1 / VEXT / ES	General-purpose input
	GTM_TIM6_IN7_1			Mux input channel 7 of TIM module 6
	GTM_TIM1_IN5_4			Mux input channel 5 of TIM module 1
	GTM_TIM0_IN5_4			Mux input channel 5 of TIM module 0
	CAN10_RXDC			CAN receive input node 0
	P23.0	O0		General-purpose output
	GTM_TOUT41	O1		GTM muxed output
	—	O2		Reserved
	—	O3		Reserved
	—	O4		Reserved
	—	O5		Reserved
	—	O6		Reserved
	—	O7		Reserved
U19	P23.1	I	FAST / PU1 / VEXT / ES	General-purpose input
	GTM_TIM6_IN6_1			Mux input channel 6 of TIM module 6
	GTM_TIM1_IN6_4			Mux input channel 6 of TIM module 1
	GTM_TIM0_IN6_4			Mux input channel 6 of TIM module 0
	MSC1_SDIO			Upstream asynchronous input signal
	ASCLIN6_ARXF			Receive input
	P23.1	O0		General-purpose output
	GTM_TOUT42	O1		GTM muxed output
	ASCLIN1_ARTS	O2		Ready to send output
	QSPI4_SLSO6	O3		Master slave select output
	GTM_CLK0	O4		CGM generated clock
	CAN10_TXD	O5		CAN transmit output node 0
	CCU_EXTCLK0	O6		External Clock 0
ASCLIN6_ASCLK	O7	Shift clock output		

Pin Definition and Functions: LFBGA-292 ADAS Package Variant Pin

Table 2-54 Port 23 Functions (cont'd)

Ball	Symbol	Ctrl.	Buffer Type	Function
U20	P23.2	I	SLOW / PU1 / VEXT / ES	General-purpose input
	GTM_TIM6_IN5_1			Mux input channel 5 of TIM module 6
	GTM_TIM1_IN6_5			Mux input channel 6 of TIM module 1
	GTM_TIM0_IN6_5			Mux input channel 6 of TIM module 0
	ASCLIN7_ARXC			Receive input
	P23.2	O0		General-purpose output
	GTM_TOUT43	O1		GTM muxed output
	—	O2		Reserved
	—	O3		Reserved
	CAN23_TXD	O4		CAN transmit output node 3
	CAN12_TXD	O5		CAN transmit output node 2
	—	O6		Reserved
	—	O7		Reserved
	T19	P23.3		I
GTM_TIM6_IN4_2		Mux input channel 4 of TIM module 6		
GTM_TIM1_IN7_4		Mux input channel 7 of TIM module 1		
GTM_TIM0_IN7_4		Mux input channel 7 of TIM module 0		
MSC1_INJ0		Injection signal from port		
ASCLIN6_ARXA		Receive input		
CAN12_RXDC		CAN receive input node 2		
CAN23_RXDB		CAN receive input node 3		
P23.3		O0	General-purpose output	
GTM_TOUT44		O1	GTM muxed output	
ASCLIN7_ATX		O2	Transmit output	
—		O3	Reserved	
—		O4	Reserved	
—		O5	Reserved	
—		O6	Reserved	
—		O7	Reserved	

Pin Definition and Functions: LFBGA-292 ADAS Package Variant Pin

Table 2-54 Port 23 Functions (cont'd)

Ball	Symbol	Ctrl.	Buffer Type	Function
T20	P23.4	I	FAST / PU1 / VEXT / ES	General-purpose input
	GTM_TIM6_IN3_2			Mux input channel 3 of TIM module 6
	GTM_TIM1_IN7_5			Mux input channel 7 of TIM module 1
	GTM_TIM0_IN7_5			Mux input channel 7 of TIM module 0
	P23.4	O0		General-purpose output
	GTM_TOUT45	O1		GTM muxed output
	ASCLIN6_ASLSO	O2		Slave select signal output
	QSPI4_SLSO5	O3		Master slave select output
	—	O4		Reserved
	MSC1_EN0	O5		Chip Select
	—	O6		Reserved
	—	O7		Reserved
T17	P23.5	I	FAST / PU1 / VEXT / ES	General-purpose input
	GTM_TIM6_IN2_2			Mux input channel 2 of TIM module 6
	GTM_TIM1_IN2_7			Mux input channel 2 of TIM module 1
	GTM_TIM0_IN2_7			Mux input channel 2 of TIM module 0
	P23.5	O0		General-purpose output
	GTM_TOUT46	O1		GTM muxed output
	ASCLIN6_ATX	O2		Transmit output
	QSPI4_SLSO4	O3		Master slave select output
	—	O4		Reserved
	MSC1_EN1	O5		Chip Select
	CAN22_TXD	O6		CAN transmit output node 2
	—	O7		Reserved
R17	P23.6	I	SLOW / PU1 / VEXT / ES	General-purpose input
	GTM_TIM6_IN1_2			Mux input channel 1 of TIM module 6
	GTM_TIM4_IN2_7			Mux input channel 2 of TIM module 4
	GTM_TIM1_IN2_10			Mux input channel 2 of TIM module 1
	CAN22_RXDC			CAN receive input node 2
	P23.6	O0		General-purpose output
	GTM_TOUT138	O1		GTM muxed output
	—	O2		Reserved
	—	O3		Reserved
	QSPI0_SLSO11	O4		Master slave select output
	CAN11_TXD	O5		CAN transmit output node 1
	—	O6		Reserved
	—	O7		Reserved

Pin Definition and Functions: LFBGA-292 ADAS Package Variant Pin

Table 2-54 Port 23 Functions (cont'd)

Ball	Symbol	Ctrl.	Buffer Type	Function
R16	P23.7	I	SLOW / PU1 / VEXT / ES	General-purpose input
	GTM_TIM6_IN0_2			Mux input channel 0 of TIM module 6
	GTM_TIM4_IN3_7			Mux input channel 3 of TIM module 4
	GTM_TIM1_IN3_10			Mux input channel 3 of TIM module 1
	CAN11_RXDC			CAN receive input node 1
	P23.7	O0	General-purpose output	
	GTM_TOUT139	O1	GTM muxed output	
	—	O2	Reserved	
	—	O3	Reserved	
	—	O4	Reserved	
	—	O5	Reserved	
	—	O6	Reserved	
	—	O7	Reserved	

Table 2-55 Port 32 Functions

Ball	Symbol	Ctrl.	Buffer Type	Function
Y17	P32.0	I	SLOW / PU1 / VEXT / ES	General-purpose input P32.0 / SMPS mode: analog output. External Pass Device gate control for EVRC
	GTM_TIM3_IN2_5			Mux input channel 2 of TIM module 3
	GTM_TIM2_IN2_5			Mux input channel 2 of TIM module 2
	P32.0	O0	General-purpose output	
	GTM_TOUT36	O1	GTM muxed output	
	—	O2	Reserved	
	—	O3	Reserved	
	—	O4	Reserved	
	—	O5	Reserved	
	—	O6	Reserved	
	—	O7	Reserved	

Pin Definition and Functions: LFBGA-292 ADAS Package Variant Pin

Table 2-55 Port 32 Functions (cont'd)

Ball	Symbol	Ctrl.	Buffer Type	Function
W17	P32.1	I	SLOW / PU1 / VEXT / ES	General-purpose input P32.1 / External Pass Device gate control for EVRC
	GTM_TIM3_IN3_15			Mux input channel 3 of TIM module 3
	P32.1	O0		General-purpose output
	GTM_TOUT37	O1		GTM muxed output
	—	O2		Reserved
	—	O3		Reserved
	—	O4		Reserved
	—	O5		Reserved
	—	O6		Reserved
	—	O7		Reserved
Y18	P32.2	I	SLOW / PU1 / VEXT / ES	General-purpose input
	GTM_TIM1_IN3_8			Mux input channel 3 of TIM module 1
	GTM_TIM0_IN3_8			Mux input channel 3 of TIM module 0
	CAN03_RXDB			CAN receive input node 3
	ASCLIN3_ARXD			Receive input
	CAN21_RXDD			CAN receive input node 1
	P32.2			O0
	GTM_TOUT38	O1		GTM muxed output
	ASCLIN3_ATX	O2		Transmit output
	IOM_MON2_15			Monitor input 2
	IOM_REF2_15			Reference input 2
	—			O3
	—	O4		Reserved
	—	O5		Reserved
	PMS_DCDCSYNCO	O6		DC-DC synchronization output
—	O7	Reserved		

Pin Definition and Functions: LFBGA-292 ADAS Package Variant Pin

Table 2-55 Port 32 Functions (cont'd)

Ball	Symbol	Ctrl.	Buffer Type	Function
Y19	P32.3	I	SLOW / PU1 / VEXT / ES	General-purpose input
	GTM_TIM1_IN4_5			Mux input channel 4 of TIM module 1
	GTM_TIM0_IN4_5			Mux input channel 4 of TIM module 0
	P32.3	O0		General-purpose output
	GTM_TOUT39	O1		GTM muxed output
	ASCLIN3_ATX	O2		Transmit output
	IOM_MON2_15			Monitor input 2
	IOM_REF2_15	O3		Reference input 2
	—			Reserved
	ASCLIN3_ASCLK			O4
	CAN03_TXD	O5		CAN transmit output node 3
	IOM_MON2_8			Monitor input 2
	IOM_REF2_8	O6		Reference input 2
	CAN21_TXD			CAN transmit output node 1
	—			O7
W18	P32.4	I	FAST / PU1 / VEXT / ES	General-purpose input
	GTM_TIM1_IN5_5			Mux input channel 5 of TIM module 1
	GTM_TIM0_IN5_5			Mux input channel 5 of TIM module 0
	ASCLIN1_ACTSB			Clear to send input
	MSC1_SDI2			Upstream asynchronous input signal
	P32.4	O0		General-purpose output
	GTM_TOUT40	O1		GTM muxed output
	—	O2		Reserved
	—	O3		Reserved
	GTM_CLK1	O4		CGM generated clock
	MSC1_EN0	O5		Chip Select
	CCU_EXTCLK1	O6		External Clock 1
	CCU60_COUT63	O7		T13 PWM channel 63
	IOM_MON1_6			Monitor input 1
	IOM_REF1_0			Reference input 1
PMS_DCDCSYNCO	O	DC-DC synchronization output		

Pin Definition and Functions: LFBGA-292 ADAS Package Variant Pin

Table 2-55 Port 32 Functions (cont'd)

Ball	Symbol	Ctrl.	Buffer Type	Function	
T15	P32.5	I	SLOW / PU1 / VEXT / ES	General-purpose input	
	GTM_TIM5_IN5_9			Mux input channel 5 of TIM module 5	
	GTM_TIM4_IN1_14			Mux input channel 1 of TIM module 4	
	GTM_TIM3_IN5_8			Mux input channel 5 of TIM module 3	
	SENT_SENT10C			Receive input channel 10	
	P32.5			O0	General-purpose output
	GTM_TOUT140			O1	GTM muxed output
	ASCLIN2_ATX			O2	Transmit output
	IOM_MON2_14				Monitor input 2
	IOM_REF2_14				Reference input 2
	—				O3
	—			O4	Reserved
	—			O5	Reserved
	CAN02_TXD			O6	CAN transmit output node 2
	IOM_MON2_7				Monitor input 2
	IOM_REF2_7				Reference input 2
—	O7	Reserved			
U15	P32.6	I	SLOW / PU1 / VEXT / ES	General-purpose input	
	GTM_TIM5_IN6_9			Mux input channel 6 of TIM module 5	
	GTM_TIM4_IN4_15			Mux input channel 4 of TIM module 4	
	GTM_TIM3_IN6_8			Mux input channel 6 of TIM module 3	
	CAN02_RXDC			CAN receive input node 2	
	CBS_TGI4			Trigger input	
	ASCLIN2_ARXF			Receive input	
	ASCLIN6_ARXC			Receive input	
	SENT_SENT11C			Receive input channel 11	
	P32.6			O0	General-purpose output
	GTM_TOUT141			O1	GTM muxed output
	—			O2	Reserved
	—			O3	Reserved
	QSPI2_SLSO12			O4	Master slave select output
	CAN22_TXD			O5	CAN transmit output node 2
	—			O6	Reserved
—	O7	Reserved			
CBS_TGO4	O	Trigger output			

Pin Definition and Functions: LFBGA-292 ADAS Package Variant Pin

Table 2-55 Port 32 Functions (cont'd)

Ball	Symbol	Ctrl.	Buffer Type	Function
U16	P32.7	I	SLOW / PU1 / VEXT / ES	General-purpose input
	GTM_TIM5_IN7_8			Mux input channel 7 of TIM module 5
	GTM_TIM4_IN0_15			Mux input channel 0 of TIM module 4
	GTM_TIM3_IN7_8			Mux input channel 7 of TIM module 3
	CBS_TGI5			Trigger input
	CAN22_RXDB			CAN receive input node 2
	SENT_SENT12C			Receive input channel 12
	P32.7			O0
	GTM_TOUT142	O1	GTM muxed output	
	ASCLIN6_ATX	O2	Transmit output	
	—	O3	Reserved	
	—	O4	Reserved	
	—	O5	Reserved	
	—	O6	Reserved	
	—	O7	Reserved	
	CBS_TGO5	O	Trigger output	

Pin Definition and Functions: LFBGA-292 ADAS Package Variant Pin

Table 2-56 Port 33 Functions

Ball	Symbol	Ctrl.	Buffer Type	Function	
W10	P33.0	I	SLOW / PU1 / VEVRSB / ES5	General-purpose input	
	GTM_TIM3_IN0_13			Mux input channel 0 of TIM module 3	
	GTM_TIM1_IN4_6			Mux input channel 4 of TIM module 1	
	GTM_TIM0_IN4_6			Mux input channel 4 of TIM module 0	
	EDSADC_ITR0E			Trigger/Gate input, channel 0	
	SENT_SENT13C			Receive input channel 13	
	IOM_PIN_0			GPIO pad input to FPC	
	GTM_DTMT1_2			CDTM1_DTM0	
	EVADC_G10CH7			AI	Analog input channel 7, group 10
	EVADC_FC7CH0				Analog input FC channel 7
	P33.0	O0	General-purpose output		
	GTM_TOUT22	O1	GTM muxed output		
	IOM_MON0_0		Monitor input 0		
	IOM_GTM_0		GTM-provided inputs to EXOR combiner		
	ASCLIN5_ATX	O2	Transmit output		
	—	O3	Reserved		
	—	O4	Reserved		
	—	O5	Reserved		
	EVADC_FC2BFLOUT	O6	Boundary flag output, FC channel 2		
	—	O7	Reserved		

Pin Definition and Functions: LFBGA-292 ADAS Package Variant Pin

Table 2-56 Port 33 Functions (cont'd)

Ball	Symbol	Ctrl.	Buffer Type	Function
Y10	P33.1	I	SLOW / PU1 / VEVRSB / ES5	General-purpose input
	GTM_TIM3_IN1_15			Mux input channel 1 of TIM module 3
	GTM_TIM1_IN5_6			Mux input channel 5 of TIM module 1
	GTM_TIM0_IN5_6			Mux input channel 5 of TIM module 0
	EDSADC_ITR1E			Trigger/Gate input, channel 1
	PSI5_RX0C			RXD inputs (receive data) channel 0
	EDSADC_DSCIN2B			Modulator clock input, channel 2
	SENT_SENT9C			Receive input channel 9
	ASCLIN8_ARXC			Receive input
	IOM_PIN_1			GPIO pad input to FPC
	EVADC_G10CH6	AI	Analog input channel 6, group 10	
	EVADC_FC6CH0		Analog input FC channel 6	
	P33.1	O0	General-purpose output	
	GTM_TOUT23	O1	GTM muxed output	
	IOM_MON0_1		Monitor input 0	
	IOM_GTM_1		GTM-provided inputs to EXOR combiner	
	ASCLIN3_ASLSO	O2	Slave select signal output	
	QSPI2_SCLK	O3	Master SPI clock output	
	EDSADC_DSCOUT2	O4	Modulator clock output	
	EVADC_EMUX02	O5	Control of external analog multiplexer interface 0	
EVADC_FC4BFLOUT	O6	Boundary flag output, FC channel 4		
—	O7	Reserved		

Pin Definition and Functions: LFBGA-292 ADAS Package Variant Pin

Table 2-56 Port 33 Functions (cont'd)

Ball	Symbol	Ctrl.	Buffer Type	Function
W11	P33.2	I	SLOW / PU1 / VEVRSB / ES5	General-purpose input
	GTM_TIM3_IN2_14			Mux input channel 2 of TIM module 3
	GTM_TIM1_IN6_6			Mux input channel 6 of TIM module 1
	GTM_TIM0_IN6_6			Mux input channel 6 of TIM module 0
	EDSADC_ITR2E			Trigger/Gate input, channel 2
	SENT_SENT8C			Receive input channel 8
	EDSADC_DSDIN2B			Digital datastream input, channel 2
	IOM_PIN_2			GPIO pad input to FPC
	EVADC_G10CH5			AI
	EVADC_FC5CH0	Analog input FC channel 5		
	P33.2	O0	General-purpose output	
	GTM_TOUT24	O1	GTM muxed output	
	IOM_MON0_2		Monitor input 0	
	IOM_GTM_2		GTM-provided inputs to EXOR combiner	
	ASCLIN3_ASCLK	O2	Shift clock output	
	QSPI2_SLSO10	O3	Master slave select output	
	PSI5_TX0	O4	TXD outputs (send data)	
	IOM_MON1_14		Monitor input 1	
	IOM_REF1_14		Reference input 1	
	EVADC_EMUX01	O5	Control of external analog multiplexer interface 0	
EVADC_FC3BFLOUT	O6	Boundary flag output, FC channel 3		
—	O7	Reserved		

Pin Definition and Functions: LFBGA-292 ADAS Package Variant Pin

Table 2-56 Port 33 Functions (cont'd)

Ball	Symbol	Ctrl.	Buffer Type	Function
Y11	P33.3	I	SLOW / PU1 / VEVRSB / ES5	General-purpose input
	GTM_TIM3_IN3_12			Mux input channel 3 of TIM module 3
	GTM_TIM1_IN7_6			Mux input channel 7 of TIM module 1
	GTM_TIM0_IN7_6			Mux input channel 7 of TIM module 0
	PSI5_RX1C			RXD inputs (receive data) channel 1
	SENT_SENT7C			Receive input channel 7
	EDSADC_DSCIN1B			Modulator clock input, channel 1
	IOM_PIN_3			GPIO pad input to FPC
	EVADC_G10CH4			Analog input channel 4, group 10
	EVADC_FC4CH0	Analog input FC channel 4		
	P33.3	O0	General-purpose output	
	GTM_TOUT25	O1	GTM muxed output	
	IOM_MON0_3		Monitor input 0	
	IOM_GTM_3		GTM-provided inputs to EXOR combiner	
	ASCLIN5_ASCLK	O2	Shift clock output	
	QSPI4_SLSO2	O3	Master slave select output	
	EDSADC_DSCOUT1	O4	Modulator clock output	
	EVADC_EMUX00	O5	Control of external analog multiplexer interface 0	
	EVADC_FC5BFLOUT	O6	Boundary flag output, FC channel 5	
	—	O7	Reserved	

Pin Definition and Functions: LFBGA-292 ADAS Package Variant Pin

Table 2-56 Port 33 Functions (cont'd)

Ball	Symbol	Ctrl.	Buffer Type	Function	
W12	P33.4	I	SLOW / PU1 / VEVRSB / ES5	General-purpose input	
	GTM_TIM4_IN4_10			Mux input channel 4 of TIM module 4	
	GTM_TIM1_IN0_10			Mux input channel 0 of TIM module 1	
	GTM_TIM0_IN0_10			Mux input channel 0 of TIM module 0	
	EDSADC_ITR0F			Trigger/Gate input, channel 0	
	SENT_SENT6C			Receive input channel 6	
	EDSADC_DSDIN1B			Digital datastream input, channel 1	
	CCU61_CTRAPC			Trap input capture	
	ASCLIN5_ARXB			Receive input	
	IOM_PIN_4			GPIO pad input to FPC	
	GTM_DTMT2_0			CDTM2_DTM0	
	EVADC_G10CH3			AI	Analog input channel 3, group 10
	P33.4			O0	General-purpose output
	GTM_TOUT26	O1	GTM muxed output		
	IOM_MON0_4		Monitor input 0		
	IOM_GTM_4		GTM-provided inputs to EXOR combiner		
	ASCLIN2_ARTS	O2	Ready to send output		
	QSPI2_SLSO12	O3	Master slave select output		
	PSI5_TX1	O4	TXD outputs (send data)		
	IOM_MON1_15		Monitor input 1		
EVADC_EMUX12	O5	Control of external analog multiplexer interface 1			
EVADC_FC0BFLOUT	O6	Boundary flag output, FC channel 0			
CAN13_TXD	O7	CAN transmit output node 3			

Pin Definition and Functions: LFBGA-292 ADAS Package Variant Pin

Table 2-56 Port 33 Functions (cont'd)

Ball	Symbol	Ctrl.	Buffer Type	Function
Y12	P33.5	I	SLOW / PU1 / VEVRSB / ES5	General-purpose input
	GTM_TIM4_IN5_10			Mux input channel 5 of TIM module 4
	GTM_TIM1_IN1_8			Mux input channel 1 of TIM module 1
	GTM_TIM0_IN1_8			Mux input channel 1 of TIM module 0
	EDSADC_DSCIN0B			Modulator clock input, channel 0
	EDSADC_ITR1F			Trigger/Gate input, channel 1
	GPT120_T4EUDB			Count direction control input of timer T4
	PSI5S_RXC			RX data input
	ASCLIN2_ACTSB			Clear to send input
	CCU61_CCPOS2C			Hall capture input 2
	PSI5_RX2C			RXD inputs (receive data) channel 2
	SENT_SENT5C			Receive input channel 5
	CAN13_RXDB			CAN receive input node 3
	IOM_PIN_5			GPIO pad input to FPC
	EVADC_G10CH2	AI	Analog input channel 2, group 10	
	P33.5	O0	General-purpose output	
	GTM_TOUT27	O1	GTM muxed output	
	IOM_MON0_5		Monitor input 0	
	IOM_GTM_5		GTM-provided inputs to EXOR combiner	
	QSPIO_SLSO7	O2	Master slave select output	
QSPI1_SLSO7	O3	Master slave select output		
EDSADC_DSCOUT0	O4	Modulator clock output		
EVADC_EMUX11	O5	Control of external analog multiplexer interface 1		
EVADC_FC2BFLOUT	O6	Boundary flag output, FC channel 2		
ASCLIN5_ASLSO	O7	Slave select signal output		

Pin Definition and Functions: LFBGA-292 ADAS Package Variant Pin

Table 2-56 Port 33 Functions (cont'd)

Ball	Symbol	Ctrl.	Buffer Type	Function	
W13	P33.6	I	SLOW / PU1 / VEVRSB / ES5	General-purpose input	
	GTM_TIM1_IN2_9			Mux input channel 2 of TIM module 1	
	GTM_TIM0_IN2_9			Mux input channel 2 of TIM module 0	
	EDSADC_ITR2F			Trigger/Gate input, channel 2	
	GPT120_T2EUDB			Count direction control input of timer T2	
	SENT_SENT4C			Receive input channel 4	
	CCU61_CCPOS1C			Hall capture input 1	
	EDSADC_DSDIN0B			Digital datastream input, channel 0	
	ASCLIN8_ARXD			Receive input	
	IOM_PIN_6			GPIO pad input to FPC	
	GTM_DTMT2_1			CDTM2_DTM0	
	EVADC_G10CH1			AI	Analog input channel 1, group 10
	P33.6			O0	General-purpose output
	GTM_TOUT28	O1	GTM muxed output		
	IOM_MON0_6		Monitor input 0		
	IOM_GTM_6		GTM-provided inputs to EXOR combiner		
	ASCLIN2_ASLSO	O2	Slave select signal output		
	QSPI2_SLSO11	O3	Master slave select output		
	PSI5_TX2	O4	TXD outputs (send data)		
	IOM_REF1_15		Reference input 1		
EVADC_EMUX10	O5	Control of external analog multiplexer interface 1			
EVADC_FC1BFLOUT	O6	Boundary flag output, FC channel 1			
PSI5S_TX	O7	TX data output			

Pin Definition and Functions: LFBGA-292 ADAS Package Variant Pin

Table 2-56 Port 33 Functions (cont'd)

Ball	Symbol	Ctrl.	Buffer Type	Function
Y13	P33.7	I	SLOW / PU1 / VEVRSB / ES5	General-purpose input
	GTM_TIM1_IN3_9			Mux input channel 3 of TIM module 1
	GTM_TIM0_IN3_9			Mux input channel 3 of TIM module 0
	CAN00_RXDE			CAN receive input node 0
	GPT120_T2INB			Trigger/gate input of timer T2
	CCU61_CCPOS0C			Hall capture input 0
	SCU_E_REQ4_0			ERU Channel 4 inputs 0 to 5 (0 is the LSB and 5 is the MSB)
	SENT_SENT14C			Receive input channel 14
	IOM_PIN_7			GPIO pad input to FPC
	EVADC_G10CH0	AI	Analog input channel 0, group 10	
	P33.7	O0	General-purpose output	
	GTM_TOUT29	O1	GTM muxed output	
	IOM_MON0_7	O1	Monitor input 0	
	IOM_GTM_7		GTM-provided inputs to EXOR combiner	
	ASCLIN2_ASCLK	O2	Shift clock output	
	QSPI4_SLSO7	O3	Master slave select output	
	ASCLIN8_ATX	O4	Transmit output	
	—	O5	Reserved	
	EVADC_FC3BFLOUT	O6	Boundary flag output, FC channel 3	
—	O7	Reserved		

Pin Definition and Functions: LFBGA-292 ADAS Package Variant Pin

Table 2-56 Port 33 Functions (cont'd)

Ball	Symbol	Ctrl.	Buffer Type	Function
W14	P33.8	I	FAST / HighZ / VEVRSB	General-purpose input
	GTM_TIM1_IN4_7			Mux input channel 4 of TIM module 1
	GTM_TIM0_IN4_7			Mux input channel 4 of TIM module 0
	ASCLIN2_ARXE			Receive input
	SCU_EMGSTOP_PORT_A			Emergency stop Port Pin A input request
	IOM_PIN_8			GPIO pad input to FPC
	P33.8	O0	General-purpose output	
	GTM_TOUT30	O1	GTM muxed output	
	IOM_MON0_8	O2	Monitor input 0	
	ASCLIN2_ATX		Transmit output	
	IOM_MON2_14		Monitor input 2	
	IOM_REF2_14	Reference input 2		
	QSPI4_SLSO2	O3	Master slave select output	
	—	O4	Reserved	
	CAN00_TXD	O5	CAN transmit output node 0	
	IOM_MON2_5	O6	Monitor input 2	
	IOM_REF2_5		Reference input 2	
	—		Reserved	
	CCU61_COUT62	O7	T12 PWM channel 62	
	IOM_MON1_13	O	Monitor input 1	
IOM_REF1_8	Reference input 1			
SMU_FSP0	O	FSP[1..0] Output Signals - Generated by SMU_core		

Pin Definition and Functions: LFBGA-292 ADAS Package Variant Pin

Table 2-56 Port 33 Functions (cont'd)

Ball	Symbol	Ctrl.	Buffer Type	Function
Y14	P33.9	I	SLOW / PU1 / VEVRSB / ES5	General-purpose input
	GTM_TIM1_IN1_9			Mux input channel 1 of TIM module 1
	GTM_TIM0_IN1_9			Mux input channel 1 of TIM module 0
	QSPI3_HUSICINA			Highspeed capture channel
	IOM_PIN_9			GPIO pad input to FPC
	P33.9	O0	General-purpose output	
	GTM_TOUT31	O1	GTM muxed output	
	IOM_MON0_9	O2	Monitor input 0	
	ASCLIN2_ATX		Transmit output	
	IOM_MON2_14		Monitor input 2	
	IOM_REF2_14		Reference input 2	
	QSPI4_SLSO1	O3	Master slave select output	
	ASCLIN2_ASCLK	O4	Shift clock output	
	CAN01_TXD	O5	CAN transmit output node 1	
	IOM_MON2_6	O6	Monitor input 2	
	IOM_REF2_6		Reference input 2	
	ASCLIN0_ATX		Transmit output	
	IOM_MON2_12	O7	Monitor input 2	
	IOM_REF2_12		Reference input 2	
	CCU61_CC62	O7	T12 PWM channel 62	
IOM_MON1_10	Monitor input 1			
IOM_REF1_11	Reference input 1			

Pin Definition and Functions: LFBGA-292 ADAS Package Variant Pin

Table 2-56 Port 33 Functions (cont'd)

Ball	Symbol	Ctrl.	Buffer Type	Function
W15	P33.10	I	FAST / PU1 / VEVR SB / ES5	General-purpose input
	GTM_TIM4_IN4_14			Mux input channel 4 of TIM module 4
	GTM_TIM1_IN0_9			Mux input channel 0 of TIM module 1
	GTM_TIM0_IN0_9			Mux input channel 0 of TIM module 0
	QSPI4_SLSIA			Slave select input
	QSPI3_HSICINB			Highspeed capture channel
	CAN01_RXDD			CAN receive input node 1
	ASCLIN0_ARXD			Receive input
	IOM_PIN_10			GPIO pad input to FPC
	P33.10			O0
	GTM_TOUT32	O1	GTM muxed output	
	IOM_MON0_10		Monitor input 0	
	QSPI1_SLSO6	O2	Master slave select output	
	QSPI4_SLSO0	O3	Master slave select output	
	ASCLIN1_ASLSO	O4	Slave select signal output	
	PSI5S_CLK	O5	PSI5S CLK is a clock that can be used on a pin to drive the external PHY.	
	—	O6	Reserved	
	CCU61_COUT61	O7	T12 PWM channel 61	
	IOM_MON1_12		Monitor input 1	
	IOM_REF1_9		Reference input 1	
SMU_FSP1	O	FSP[1..0] Output Signals - Generated by SMU_core		
Y15	P33.11	I	FAST / PU1 / VEVR SB / ES5	General-purpose input
	GTM_TIM1_IN2_8			Mux input channel 2 of TIM module 1
	GTM_TIM0_IN2_8			Mux input channel 2 of TIM module 0
	QSPI4_SCLKA			Slave SPI clock inputs
	IOM_PIN_11			GPIO pad input to FPC
	P33.11	O0	General-purpose output	
	GTM_TOUT33	O1	GTM muxed output	
	IOM_MON0_11		Monitor input 0	
	ASCLIN1_ASCLK	O2	Shift clock output	
	QSPI4_SCLK	O3	Master SPI clock output	
	—	O4	Reserved	
	—	O5	Reserved	
	EDSADC_CGPWMN	O6	Negative carrier generator output	
	CCU61_CC61	O7	T12 PWM channel 61	
	IOM_MON1_9		Monitor input 1	
IOM_REF1_12		Reference input 1		

Pin Definition and Functions: LFBGA-292 ADAS Package Variant Pin

Table 2-56 Port 33 Functions (cont'd)

Ball	Symbol	Ctrl.	Buffer Type	Function
W16	P33.12	I	FAST / PU1 / VEVRSB / ES5	General-purpose input
	GTM_TIM3_IN0_6			Mux input channel 0 of TIM module 3
	GTM_TIM2_IN0_6			Mux input channel 0 of TIM module 2
	QSPI4_MTSRA			Slave SPI data input
	CAN00_RXDD			CAN receive input node 0
	PMS_PINBWKP			PINB (P33.12) pin input
	IOM_PIN_12			GPIO pad input to FPC
	P33.12	O0	General-purpose output	
	GTM_TOUT34	O1	GTM muxed output	
	IOM_MON0_12	O2	Monitor input 0	
	ASCLIN1_ATX		Transmit output	
	IOM_MON2_13		Monitor input 2	
	IOM_REF2_13	O3	Reference input 2	
	QSPI4_MTSR		Master SPI data output	
	ASCLIN1_ASCLK	O4	Shift clock output	
	CAN22_TXD	O5	CAN transmit output node 2	
	EDSADC_CGPWMP	O6	Positive carrier generator output	
	CCU61_COUT60	O7	T12 PWM channel 60	
	IOM_MON1_11		Monitor input 1	
	IOM_REF1_10		Reference input 1	

Pin Definition and Functions: LFBGA-292 ADAS Package Variant Pin

Table 2-56 Port 33 Functions (cont'd)

Ball	Symbol	Ctrl.	Buffer Type	Function
Y16	P33.13	I	FAST / PU1 / VEVRSB / ES5	General-purpose input
	GTM_TIM3_IN1_5			Mux input channel 1 of TIM module 3
	GTM_TIM2_IN1_5			Mux input channel 1 of TIM module 2
	ASCLIN1_ARXF			Receive input
	EDSADC_SGNB			Carrier sign signal input
	QSPI4_MRSTA			Master SPI data input
	MSC1_INJ1			Injection signal from port
	CAN22_RXDA			CAN receive input node 2
	P33.13	O0	General-purpose output	
	GTM_TOUT35	O1	GTM muxed output	
	ASCLIN1_ATX	O2	Transmit output	
	IOM_MON2_13	O2	Monitor input 2	
	IOM_REF2_13		Reference input 2	
	QSPI4_MRST	O3	Slave SPI data output	
	IOM_MON2_4	O3	Monitor input 2	
	IOM_REF2_4		Reference input 2	
	QSPI2_SLSO6	O4	Master slave select output	
	CAN00_TXD	O5	CAN transmit output node 0	
	IOM_MON2_5	O5	Monitor input 2	
	IOM_REF2_5		Reference input 2	
	—	O6	Reserved	
	CCU61_CC60	O7	T12 PWM channel 60	
	IOM_MON1_8	O7	Monitor input 1	
	IOM_REF1_13		Reference input 1	

Pin Definition and Functions: LFBGA-292 ADAS Package Variant Pin

Table 2-56 Port 33 Functions (cont'd)

Ball	Symbol	Ctrl.	Buffer Type	Function	
T14	P33.14	I	FAST / PU1 / VEVRSB / ES5	General-purpose input	
	GTM_TIM5_IN0_8			Mux input channel 0 of TIM module 5	
	GTM_TIM4_IN5_14			Mux input channel 5 of TIM module 4	
	GTM_TIM2_IN0_8			Mux input channel 0 of TIM module 2	
	QSPI2_SCLKD			Slave SPI clock inputs	
	CBS_TGI6			Trigger input	
	P33.14	O0	SLOW / PU1 / VEVRSB / ES5	General-purpose output	
	GTM_TOUT143	O1		GTM muxed output	
	—	O2		Reserved	
	QSPI2_SCLK	O3		Master SPI clock output	
	—	O4		Reserved	
	—	O5		Reserved	
	—	O6		Reserved	
	CCU60_CC62	O7		T12 PWM channel 62	
	IOM_MON1_0	O		Monitor input 1	
	IOM_REF1_4			Reference input 1	
CBS_TGO6	O	Trigger output			
U14	P33.15	I	SLOW / PU1 / VEVRSB / ES5	General-purpose input	
	GTM_TIM5_IN1_9			Mux input channel 1 of TIM module 5	
	GTM_TIM4_IN6_12			Mux input channel 6 of TIM module 4	
	GTM_TIM2_IN1_7			Mux input channel 1 of TIM module 2	
	CBS_TGI7	O0	SLOW / PU1 / VEVRSB / ES5	Trigger input	
	P33.15			General-purpose output	
	GTM_TOUT144			GTM muxed output	
	—			Reserved	
	QSPI2_SLSO11			Master slave select output	
	—			Reserved	
	—			Reserved	
	—			Reserved	
	CCU60_COUT62			O7	T12 PWM channel 62
	IOM_MON1_5			O	Monitor input 1
	IOM_REF1_1	Reference input 1			
	CBS_TGO7	O	Trigger output		

Pin Definition and Functions: LFBGA-292 ADAS Package Variant Pin

Table 2-57 Port 34 Functions

Ball	Symbol	Ctrl.	Buffer Type	Function
U11	P34.1	I	SLOW / PU1 / VEVRSB / ES5	General-purpose input
	GTM_TIM5_IN3_9			Mux input channel 3 of TIM module 5
	GTM_TIM3_IN4_12			Mux input channel 4 of TIM module 3
	GTM_TIM2_IN3_9			Mux input channel 3 of TIM module 2
	EVADC_G10CH11	AI		Analog input channel 11, group 10
	P34.1	O0		General-purpose output
	GTM_TOUT146	O1		GTM muxed output
	ASCLIN4_ATX	O2		Transmit output
	—	O3		Reserved
	CAN00_TXD	O4		CAN transmit output node 0
	IOM_MON2_5			Monitor input 2
	IOM_REF2_5			Reference input 2
	CAN20_TXD	O5		CAN transmit output node 0
	—	O6		Reserved
	CCU60_COUT63	O7		T13 PWM channel 63
IOM_MON1_6		Monitor input 1		
IOM_REF1_0		Reference input 1		
T12	P34.2	I	SLOW / PU1 / VEVRSB / ES	General-purpose input
	GTM_TIM5_IN4_9			Mux input channel 4 of TIM module 5
	GTM_TIM3_IN5_13			Mux input channel 5 of TIM module 3
	GTM_TIM2_IN4_8			Mux input channel 4 of TIM module 2
	ASCLIN4_ARXB			Receive input
	CAN00_RXDG			CAN receive input node 0
	CAN20_RXDC			CAN receive input node 0
	EVADC_G10CH10	AI		Analog input channel 10, group 10
	P34.2	O0		General-purpose output
	GTM_TOUT147	O1		GTM muxed output
	—	O2		Reserved
	—	O3		Reserved
	—	O4		Reserved
	—	O5		Reserved
	—	O6		Reserved
	CCU60_CC60	O7		T12 PWM channel 60
	IOM_MON1_2			Monitor input 1
	IOM_REF1_6			Reference input 1

Pin Definition and Functions: LFBGA-292 ADAS Package Variant Pin

Table 2-57 Port 34 Functions (cont'd)

Ball	Symbol	Ctrl.	Buffer Type	Function
U12	P34.3	I	SLOW / PU1 / VEVR SB / ES	General-purpose input
	GTM_TIM5_IN5_10			Mux input channel 5 of TIM module 5
	GTM_TIM3_IN6_13			Mux input channel 6 of TIM module 3
	GTM_TIM2_IN5_9			Mux input channel 5 of TIM module 2
	EVADC_G10CH9	AI		Analog input channel 9, group 10
	P34.3	O0		General-purpose output
	GTM_TOUT148	O1		GTM muxed output
	ASCLIN4_ASCLK	O2		Shift clock output
	—	O3		Reserved
	QSPI2_SLSO10	O4		Master slave select output
	—	O5		Reserved
	—	O6		Reserved
	CCU60_COUT60	O7		T12 PWM channel 60
	IOM_MON1_3			Monitor input 1
IOM_REF1_3	Reference input 1			
T13	P34.4	I	SLOW / PU1 / VEVR SB / ES	General-purpose input
	GTM_TIM5_IN6_10			Mux input channel 6 of TIM module 5
	GTM_TIM3_IN7_12			Mux input channel 7 of TIM module 3
	GTM_TIM2_IN6_8			Mux input channel 6 of TIM module 2
	QSPI2_MRSTD			Master SPI data input
	EVADC_G10CH8	AI		Analog input channel 8, group 10
	P34.4	O0		General-purpose output
	GTM_TOUT149	O1		GTM muxed output
	ASCLIN4_ASLSO	O2		Slave select signal output
	—	O3		Reserved
	QSPI2_MRST	O4		Slave SPI data output
	IOM_MON2_2			Monitor input 2
	IOM_REF2_2			Reference input 2
	—	O5		Reserved
	EVADC_FC6BFLOUT	O6		Boundary flag output, FC channel 6
	CCU60_CC61	O7		T12 PWM channel 61
	IOM_MON1_1			Monitor input 1
IOM_REF1_5	Reference input 1			

Pin Definition and Functions: LFBGA-292 ADAS Package Variant Pin

Table 2-57 Port 34 Functions (cont'd)

Ball	Symbol	Ctrl.	Buffer Type	Function
U13	P34.5	I	FAST / PU1 / VEVR SB / ES	General-purpose input
	GTM_TIM5_IN7_9			Mux input channel 7 of TIM module 5
	GTM_TIM4_IN7_12			Mux input channel 7 of TIM module 4
	GTM_TIM2_IN7_9			Mux input channel 7 of TIM module 2
	QSPI2_MTSRD			Slave SPI data input
	ASCLIN8_ARXE			Receive input
	P34.5	O0		General-purpose output
	GTM_TOUT150	O1		GTM muxed output
	ASCLIN8_ATX	O2		Transmit output
	—	O3		Reserved
	QSPI2_MTSR	O4		Master SPI data output
	—	O5		Reserved
	EVADC_FC7BFLOUT	O6		Boundary flag output, FC channel 7
	CCU60_COUT61	O7		T12 PWM channel 61
IOM_MON1_4		Monitor input 1		
IOM_REF1_2		Reference input 1		

Table 2-58 Port 50 Functions

Ball	Symbol	Ctrl.	Buffer Type	Function
C2	P50.0	I	LVDS_RX / HighZ / VEXT / ES	—
	RIF0_D1N			LVDS RX Input (inverted Data Bits of Channel #0)
C1	P50.1	I	LVDS_RX / HighZ / VEXT / ES	—
	RIF0_D1P			LVDS RX Input (Data Bits of Channel #0)
D2	P50.2	I	LVDS_RX / HighZ / VEXT / ES	—
	RIF0_D2N			LVDS RX Input (inverted Data Bits of Channel #1)
D1	P50.3	I	LVDS_RX / HighZ / VEXT / ES	—
	RIF0_D2P			LVDS RX Input (Data Bits of Channel #1)
E2	P50.4	I	LVDS_RX / HighZ / VEXT / ES	—
	RIF0_CLKN			LVDS RX Input (inverted Serial Clock)

Pin Definition and Functions: LFBGA-292 ADAS Package Variant Pin

Table 2-58 Port 50 Functions (cont'd)

Ball	Symbol	Ctrl.	Buffer Type	Function
E1	P50.5	I	LVDS_RX / HighZ / VEXT / ES	—
	RIF0_CLKP			LVDS RX Input (Serial Clock)
F2	P50.6	I	LVDS_RX / HighZ / VEXT / ES	—
	RIF0_FRP			LVDS RX Input (FrameClock)
F1	P50.7	I	LVDS_RX / HighZ / VEXT / ES	—
	RIF0_FRN			LVDS RX Input (inverted FrameClock)
G2	P50.8	I	LVDS_RX / HighZ / VEXT / ES	—
	RIF0_D3P			LVDS RX Input (Data Bits of Channel #2)
G1	P50.9	I	LVDS_RX / HighZ / VEXT / ES	—
	RIF0_D3N			LVDS RX Input (inverted Data Bits of Channel #2)
H2	P50.10	I	LVDS_RX / HighZ / VEXT / ES	—
	RIF0_D4P			LVDS RX Input (Data Bits of Channel #3)
H1	P50.11	I	LVDS_RX / HighZ / VEXT / ES	—
	RIF0_D4N			LVDS RX Input (inverted Data Bits of Channel #3)

Table 2-59 Port 51 Functions

Ball	Symbol	Ctrl.	Buffer Type	Function
B9	P51.0	I	LVDS_RX / HighZ / VEXT / ES	—
	RIF1_D1N			LVDS RX Input (inverted Data Bits of Channel #0)
A9	P51.1	I	LVDS_RX / HighZ / VEXT / ES	—
	RIF1_D1P			LVDS RX Input (Data Bits of Channel #0)
B8	P51.2	I	LVDS_RX / HighZ / VEXT / ES	—
	RIF1_D2N			LVDS RX Input (inverted Data Bits of Channel #1)

Pin Definition and Functions: LFBGA-292 ADAS Package Variant Pin

Table 2-59 Port 51 Functions (cont'd)

Ball	Symbol	Ctrl.	Buffer Type	Function
A8	P51.3	I	LVDS_R X / HighZ / VEXT / ES	—
	RIF1_D2P			LVDS RX Input (Data Bits of Channel #1)
B7	P51.4	I	LVDS_R X / HighZ / VEXT / ES	—
	RIF1_CLKN			LVDS RX Input (inverted Serial Clock)
A7	P51.5	I	LVDS_R X / HighZ / VEXT / ES	—
	RIF1_CLKP			LVDS RX Input (Serial Clock)
B6	P51.6	I	LVDS_R X / HighZ / VEXT / ES	—
	RIF1_FRP			LVDS RX Input (FrameClock)
A6	P51.7	I	LVDS_R X / HighZ / VEXT / ES	—
	RIF1_FRN			LVDS RX Input (inverted FrameClock)
B5	P51.8	I	LVDS_R X / HighZ / VEXT / ES	—
	RIF1_D3P			LVDS RX Input (Data Bits of Channel #2)
A5	P51.9	I	LVDS_R X / HighZ / VEXT / ES	—
	RIF1_D3N			LVDS RX Input (inverted Data Bits of Channel #2)
B4	P51.10	I	LVDS_R X / HighZ / VEXT / ES	—
	RIF1_D4P			LVDS RX Input (Data Bits of Channel #3)
A4	P51.11	I	LVDS_R X / HighZ / VEXT / ES	—
	RIF1_D4N			LVDS RX Input (inverted Data Bits of Channel #3)

Table 2-60 Analog Inputs

Ball	Symbol	Ctrl.	Buffer Type	Function
T10	AN0	I	D / HighZ / VDDM	Analog Input 0
	EVADC_G0CH0			Analog input channel 0, group 0
	EDSADC_EDS3PA			Positive analog input channel 3, pin A

Pin Definition and Functions: LFBGA-292 ADAS Package Variant Pin

Table 2-60 Analog Inputs (cont'd)

Ball	Symbol	Ctrl.	Buffer Type	Function
U10	AN1	I	D / HighZ / VDDM	Analog Input 1
	EVADC_G0CH1			Analog input channel 1, group 0
	EDSADC_EDS3NA			Negative analog input channel 3, pin A
W9	AN2	I	D / HighZ / VDDM	Analog Input 2
	EVADC_G0CH2			Analog input channel 2, group 0
	EDSADC_EDS0PA			Positive analog input channel 0, pin A
U9	AN3	I	D / HighZ / VDDM	Analog Input 3
	EVADC_G0CH3			Analog input channel 3, group 0
	EDSADC_EDS0NA			Negative analog input channel 0, pin A
T9	AN4	I	D / HighZ / VDDM	Analog Input 4
	EVADC_G11CH0			Analog input channel 0, group 11
	EVADC_G0CH4			Analog input channel 4, group 0
Y9	AN5	I	D / HighZ / VDDM	Analog Input 5
	EVADC_G11CH1			Analog input channel 1, group 11
	EVADC_G0CH5			Analog input channel 5, group 0
T8	AN6	I	D / HighZ / VDDM	Analog Input 6
	EVADC_G11CH2			Analog input channel 2, group 11
	EVADC_G0CH6			Analog input channel 6, group 0
U8	AN7	I	D / HighZ / VDDM	Analog Input 7
	EVADC_G11CH3			Analog input channel 3, group 11
	EVADC_G0CH7			Analog input channel 7, group 0
W8	AN8	I	D / HighZ / VDDM	Analog Input 8
	EVADC_G11CH4			Analog input channel 4, group 11
	EVADC_G1CH0			Analog input channel 0, group 1
U7	AN9	I	D / HighZ / VDDM	Analog Input 9
	EVADC_G11CH5			Analog input channel 5, group 11
	EVADC_G1CH1			Analog input channel 1, group 1
Y8	AN10	I	D / HighZ / VDDM	Analog Input 10
	EVADC_G11CH6			Analog input channel 6, group 11
	EVADC_G1CH2			Analog input channel 2, group 1
W7	AN11	I	D / HighZ / VDDM	Analog Input 11
	EVADC_G11CH7			Analog input channel 7, group 11
	EVADC_G1CH3			Analog input channel 3, group 1
T7	AN12	I	D / HighZ / VDDM	Analog Input 12
	EVADC_G1CH4			Analog input channel 4, group 1
	EDSADC_EDS0PB			Positive analog input channel 0, pin B

Pin Definition and Functions: LFBGA-292 ADAS Package Variant Pin

Table 2-60 Analog Inputs (cont'd)

Ball	Symbol	Ctrl.	Buffer Type	Function
W6	AN13	I	D / HighZ / VDDM	Analog Input 13
	EVADC_G1CH5			Analog input channel 5, group 1
	EDSADC_EDS0NB			Negative analog input channel 0, pin B
U6	AN14	I	D / HighZ / VDDM	Analog Input 14
	EVADC_G1CH6			Analog input channel 6, group 1
	EDSADC_EDS3PB			Positive analog input channel 3, pin B
T6	AN15	I	D / HighZ / VDDM	Analog Input 15
	EVADC_G1CH7			Analog input channel 7, group 1
	EDSADC_EDS3NB			Negative analog input channel 3, pin N
W5	AN16	I	D / HighZ / VDDM	Analog Input 16
	EVADC_G2CH0			Analog input channel 0, group 2
	EVADC_FC0CH0			Analog input FC channel 0
U5	AN17/P40.10	I	S / HighZ / VDDM	Analog Input 17
	SENT_SENT10A			Receive input channel 10
	EVADC_G2CH1			Analog input channel 1, group 2
	EVADC_FC1CH0			Analog input FC channel 1
W4	AN18/P40.11	I	S / HighZ / VDDM	Analog Input 18
	SENT_SENT11A			Receive input channel 11
	EVADC_G11CH8			Analog input channel 8, group 11
	EVADC_G2CH2			Analog input channel 2, group 2
W3	AN19/P40.12	I	S / HighZ / VDDM	Analog Input 19
	SENT_SENT12A			Receive input channel 12
	EVADC_G11CH9			Analog input channel 9, group 11
	EVADC_G2CH3			Analog input channel 3, group 2
Y3	AN20	I	D / HighZ / VDDM	Analog Input 20
	EVADC_G2CH4			Analog input channel 4, group 2
	EDSADC_EDS2PA			Positive analog input channel 2, pin A
Y2	AN21	I	D / HighZ / VDDM	Analog Input 21
	EVADC_G2CH5			Analog input channel 5, group 2
	EDSADC_EDS2NA			Negative analog input channel 2, pin A
T5	AN22	I	D / HighZ / VDDM	Analog Input 22
	EVADC_G2CH6			Analog input channel 6, group 2
R5	AN23	I	D / HighZ / VDDM	Analog Input 23
	EVADC_G2CH7			Analog input channel 7, group 2

Pin Definition and Functions: LFBGA-292 ADAS Package Variant Pin

Table 2-60 Analog Inputs (cont'd)

Ball	Symbol	Ctrl.	Buffer Type	Function
T4	AN24/P40.0	I	S / HighZ / VDDM	Analog Input 24
	SENT_SENT0A			Receive input channel 0
	EVADC_G3CH0			Analog input channel 0, group 3
	CCU60_CCPOS0D			Hall capture input 0
	EDSADC_EDS2PB			Positive analog input channel 2, pin B
R4	AN25/P40.1	I	S / HighZ / VDDM	Analog Input 25
	SENT_SENT1A			Receive input channel 1
	EVADC_G3CH1			Analog input channel 1, group 3
	CCU60_CCPOS1B			Hall capture input 1
	EDSADC_EDS2NB			Negative analog input channel 2, pin B
W1	AN36/P40.6	I	S / HighZ / VDDM	Analog Input 36
	SENT_SENT6A			Receive input channel 6
	EVADC_G8CH4			Analog input channel 4, group 8
	CCU61_CCPOS1B			Hall capture input 1
	EDSADC_EDS1PA			Positive analog input channel 1, pin A
V2	AN37/P40.7	I	S / HighZ / VDDM	Analog Input 37
	SENT_SENT7A			Receive input channel 7
	EVADC_G8CH5			Analog input channel 5, group 8
	CCU61_CCPOS1D			Hall capture input 1
	EDSADC_EDS1NA			Negative analog input channel 1, pin A
W2	AN38/P40.8	I	S / HighZ / VDDM	Analog Input 38
	SENT_SENT8A			Receive input channel 8
	EVADC_G8CH6			Analog input channel 6, group 8
	CCU61_CCPOS2B			Hall capture input 2
	EDSADC_EDS1PB			Positive analog input channel 1, pin B
V1	AN39/P40.9	I	S / HighZ / VDDM	Analog Input 39
	SENT_SENT9A			Receive input channel 9
	EVADC_G8CH7			Analog input channel 7, group 8
	CCU61_CCPOS2D			Hall capture input 2
	EDSADC_EDS1NB			Negative analog input channel 1, pin B
U1	AN44	I	D / HighZ / VDDM	Analog Input 44
	EVADC_G8CH12			Analog input channel 12, group 8
	EDSADC_EDS1PC			Positive analog input channel 1, pin C
P5	AN45	I	D / HighZ / VDDM	Analog Input 45
	EVADC_G8CH13			Analog input channel 13, group 8
	EDSADC_EDS1NC			Negative analog input channel 1, pin C

Pin Definition and Functions: LFBGA-292 ADAS Package Variant Pin
Table 2-60 Analog Inputs (cont'd)

Ball	Symbol	Ctrl.	Buffer Type	Function
U2	AN46	I	D / HighZ / VDDM	Analog Input 46
	EVADC_G8CH14			Analog input channel 14, group 8
	EDSADC_EDS1PD			Positive analog input channel 1, pin D
P4	AN47	I	D / HighZ / VDDM	Analog Input 47
	EVADC_G8CH15			Analog input channel 15, group 8
	EDSADC_EDS1ND			Negative analog input channel 1, pin D

Note: Port Pins P32.0 and P32.1 are bidirectional pads and are having the following two functionalities implemented:

- In case the pins are used as standard GPIOs the functions defined in the pin configuration tables of P32.0 and P32.1 are available.
- In case the pins are used as pre-drivers for external MOSFETs (internal DCDC usecase) P32.0 and P32.1 act as analog IOs named VGATE1N and VGATE1P.

Table 2-61 System I/O

Ball	Symbol	Ctrl.	Buffer Type	Function
L7	AGBTCLKN (VSS)	I	AGBT_C LK / VEXT	Input PAD (negative pole) for the external 100 MHz differential clock. AGBT Input; (TC3xx devices without AGBT: VSS)
K7	AGBTCLKP (VSS)	I	AGBT_C LK / VEXT	Input PAD (positive pole) for the external 100 MHz differential clock. AGBT Input; (TC3xx devices without AGBT: VSS)
P10	AGBTTXN (VSS)	O	AGBT_T X / VEXT	Off-chip driver output PAD of the 2.5Gbps transmitter, negative pole AGBT Output; (TC3xx devices without AGBT: VSS)
P11	AGBTTXP (VSS)	O	AGBT_T X / VEXT	Off-chip driver output PAD of the 2.5Gbps transmitter, positive pole AGBT Output; (TC3xx devices without AGBT: VSS)
L14	AGBTERR (VSS)	I	FAST / PD / VEXT	Input PAD for CRC error from FPGA. AGBT Input; (TC3xx devices without AGBT: VSS)
W17	VGATE1P	O	—	DCDC P ch. MOSFET gate driver output P32.1 / External Pass Device gate control for EVRC
Y17	VGATE1N	O	—	DCDC N ch. MOSFET gate driver output P32.0 / SMPS mode: analog output. External Pass Device gate control for EVRC
M20	XTAL1	I	XTAL / VEXT	XTAL pad1 XTAL1. Main Oscillator/PLL/Clock Generator Input.
M19	XTAL2	O	XTAL / VEXT	XTAL pad2 XTAL2. Main Oscillator/PLL/Clock Generator OUTPUT

Pin Definition and Functions: LFBGA-292 ADAS Package Variant Pin

Table 2-61 System I/O (cont'd)

Ball	Symbol	Ctrl.	Buffer Type	Function
K14	DAPE0	I	FAST / PD2 / VEXT	DAPE: DAPE0 Clock Input DAPE: DAPE0 clock input (PD Devices: NC)
L19	$\overline{\text{TRST}}$	I	FAST /	JTAG Module Reset/Enable Input
	DAPE0	I	PU2 / VEXT	DAPE: DAPE0 Clock Input
K16	TMS	I	FAST /	JTAG Module State Machine Control Input
	DAP1	I/O	PD2 / VEXT	DAP: DAP1 Data I/O
J16	TCK	I	FAST /	JTAG Module Clock Input
	DAP0	I	PD2 / VEXT	DAP: DAP0 Clock Input
G11	DAPE1	I/O	FAST / PD2 / VEXT	DAPE: DAPE1 Data I/O DAPE: DAPE1 Data I/O (PD Devices: VSS)
G10	DAPE2	I/O	FAST / PD2 / VEXT	DAPE: DAPE2 Data I/O DAPE: DAPE2 Data I/O (PD Devices: VSS)
G16	$\overline{\text{ESR1}}$	I/O	FAST / PU1 / VEXT	ESR1 Port Pin input - can be used to trigger a reset or an NMI ESR1: External System Request Reset 1. Default NMI function. See also SCU chapter for details. Default after power-on can be different. See also SCU chapter 'Reset Control Unit' and SCU_IOCRR register description. PMS_EVRWUP: EVR Wakeup Pin
	PMS_ESR1WKP	I		ESR1 pin input
F16	$\overline{\text{ESR0}}$	I/O	FAST / OD / VEXT	ESR0 Port Pin input - can be used to trigger a reset or an NMI ESR0: External System Request Reset 0. Default configuration during and after reset is open-drain driver. The driver drives low during power-on reset. This is valid additionally after deactivation of PORST_N until the internal reset phase has finished. See also SCU chapter for details. Default after power-on can be different. See also SCU chapter 'Reset Control Unit' and SCU_IOCRR register description. PMS_EVRWUP: EVR Wakeup Pin
	PMS_ESR0WKP	I		ESR0 pin input
G17	$\overline{\text{PORST}}$	I/O	PORST / PD / VEXT	PORST pin Power On Reset Input. Additional strong PD in case of power fail.

Pin Definition and Functions: LFBGA-292 ADAS Package Variant Pin

Table 2-62 Supply

Ball	Symbol	Ctrl.	Buffer Type	Function
P8, P13, N7, N14, E15, H14, D16, G13, G8, H7	VDD	I	—	Digital Core Power Supply (1.25V)
A2, B3, V19, W20	VEXT	I	—	External Power Supply (5V / 3.3V)
D5	VFLEX	I	—	Digital Power Supply for Flex Port Pads (5V / 3.3V)
Y5	VDDM	I	—	ADC Analog Power Supply (5V / 3.3V)
B18, A19	VDDP3	I	—	Flash Power Supply (3.3V)
B2, D4, E5, T16, U17, W19, Y20, E16, D17, B19, A20	VSS	I	—	Digital Ground
Y4	VSSM	I	—	Analog Ground for VDDM
P9, P12, N9, N10, N11, N12, M7, M8, M10, M11, M13, M14, L8, L9, L10, L11, L12, L13, K8, K9, K10, K11, K12, K13, J7, J8, J10, J11, J13, J14, H9, H10, H11, H12, G9, G12	VSS	I	—	Digital Ground
L20	VSS	I	—	Oscillator Ground, VSS(OSC)
Y6	VAREF1	I	—	Positive Analog Reference Voltage 1
Y7	VAGND1	I	—	Negative Analog Reference Voltage 1
T1	VAREF2	I	—	Positive Analog Reference Voltage 2
T2	VAGND2	I	—	Negative Analog Reference Voltage 2
A3, B1	NC	I	—	Not connected. These pins are reserved for future extensions and shall not be connected externally
A1, Y1, U4	NC1	I	—	Not connected. These pins are not connected on package level and will not be used for future extensions
T11	VEVRSB	I	—	Standby Power Supply (5V / 3.3V) for the Standby SRAM

Pin Definition and Functions: LFBGA-292 ADAS Package Variant Pin

Table 2-62 Supply (cont'd)

Ball	Symbol	Ctrl.	Buffer Type	Function
N19	VDD	I	—	Digital Power Supply for Oscillator (1.25V), VDD(OSC)
N20	VEXT	I	—	Digital Power Supply for Oscillator (shall be supplied with same level as used for VEXT), VEXT(OSC)

2.4 Sequence of Pads in Pad Frame

Table 2-63 Pad List

Number	Pad Name	Pad Type	X	Y	Comment
1	VEXT	Vx	255699	175644	Supply Voltage
2	VSS	Vx	356499	175644	Supply Voltage
3	P14.0	FAST / PU1 / VEXT / ES2	457299	175644	General-purpose I/O
4	P15.7	FAST / PU1 / VEXT / ES	558099	175644	General-purpose I/O
5	VDDP3	Vx	635499	322614	Supply Voltage
6	VDD	Vx	714699	175644	Supply Voltage
7	P15.10	LVDS_TX / FAST / PU1 / VEXT / ES6	826200	322614	General-purpose I/O
8	P15.11	LVDS_TX / FAST / PU1 / VEXT / ES6	920196	322614	General-purpose I/O
9	VSS	Vx	1031697	175644	Supply Voltage
10	P15.12	LVDS_TX / FAST / PU1 / VEXT / ES6	1143198	322614	General-purpose I/O
11	P15.13	LVDS_TX / FAST / PU1 / VEXT / ES6	1237194	322614	General-purpose I/O
12	P14.4	SLOW / PU2 / VEXT / ES	1348695	175644	General-purpose I/O
13	P15.15	FAST / PU1 / VEXT / ES	1395693	322614	General-purpose I/O
14	VDD	Vx	1463499	175644	Supply Voltage
15	P15.14	FAST / PU1 / VEXT / ES	1517499	322614	General-purpose I/O
16	P14.3	SLOW / PU2 / VEXT / ES	1564497	175644	General-purpose I/O
17	P14.11	SLOW / PU1 / VEXT / ES	1611495	322614	General-purpose I/O
18	VSS	Vx	1665999	175644	Supply Voltage
19	P14.1	FAST / PU1 / VEXT / ES2	1724499	322614	General-purpose I/O
20	P15.8	FAST / PU1 / VEXT / ES	1771497	175644	General-purpose I/O
21	P14.13	FAST / PU1 / VEXT / ES	1818495	322614	General-purpose I/O
22	VSS	Vx	1865493	175644	Supply Voltage

Pin Definition and Functions: Sequence of Pads in Pad Frame
Table 2-63 Pad List (cont'd)

Number	Pad Name	Pad Type	X	Y	Comment
23	P14.12	SLOW / PU1 / VEXT / ES	1912491	322614	General-purpose I/O
24	VEXT	Vx	1959489	175644	Supply Voltage
25	P14.5	FAST / PU2 / VEXT / ES	2006487	322614	General-purpose I/O
26	VDD	Vx	2069505	175644	Supply Voltage
27	P14.15	SLOW / PU1 / VEXT / ES	2125503	322614	General-purpose I/O
28	P14.6	FAST / PU1 / VEXT / ES	2172501	175644	General-purpose I/O
29	P14.14	FAST / PU1 / VEXT / ES	2219499	322614	General-purpose I/O
30	P14.7	SLOW / PU1 / VEXT / ES	2266497	175644	General-purpose I/O
31	P14.8	SLOW / PU1 / VEXT / ES	2313495	322614	General-purpose I/O
32	VSS	Vx	2375001	175644	Supply Voltage
33	P13.0	LVDS_TX / FAST / PU1 / VEXT / ES6	2486502	322614	General-purpose I/O
34	P13.1	LVDS_TX / FAST / PU1 / VEXT / ES6	2580498	322614	General-purpose I/O
35	VDD	Vx	2691999	175644	Supply Voltage
36	VDD	Vx	2781999	175644	Supply Voltage
37	P13.2	LVDS_TX / FAST / PU1 / VEXT / ES6	2893500	322614	General-purpose I/O
38	P13.3	LVDS_TX / FAST / PU1 / VEXT / ES6	2987496	322614	General-purpose I/O
39	VSS	Vx	3098997	175644	Supply Voltage
40	VSS	Vx	3188997	175644	Supply Voltage
41	P13.4	LVDS_TX / FAST / PU1 / VEXT / ES6	3300498	322614	General-purpose I/O
42	P13.5	LVDS_TX / FAST / PU1 / VEXT / ES6	3394494	322614	General-purpose I/O
43	P14.2	SLOW / PU2 / VEXT / ES	3505995	175644	General-purpose I/O

Pin Definition and Functions: Sequence of Pads in Pad Frame
Table 2-63 Pad List (cont'd)

Number	Pad Name	Pad Type	X	Y	Comment
44	P13.6	LVDS_TX / FAST / PU1 / VEXT / ES6	3617496	322614	General-purpose I/O
45	P13.7	LVDS_TX / FAST / PU1 / VEXT / ES6	3711492	322614	General-purpose I/O
46	VDD	Vx	3822993	322614	Supply Voltage
47	VSS	Vx	3869991	175644	Supply Voltage
48	VSS	Vx	3974499	175644	Supply Voltage
49	VDD	Vx	4064499	322614	Supply Voltage
50	VEXT	Vx	4152501	175644	Supply Voltage
51	VDDP3	Vx	4334499	175644	Supply Voltage
52	VDDP3	Vx	4388499	322614	Supply Voltage
53	VDDP3	Vx	4469499	175644	Supply Voltage
54	VSS	Vx	4556979	175644	Supply Voltage
55	P13.10	SLOW / PU1 / VEXT / ES	4603977	322614	General-purpose I/O
56	P13.9	FAST / PU1 / VEXT / ES	4650975	175644	General-purpose I/O
57	P13.11	SLOW / PU1 / VEXT / ES	4697973	322614	General-purpose I/O
58	P14.9	LVDS_RX / FAST / PU1 / VEXT / ES	4773024	175644	General-purpose I/O
59	P14.10	LVDS_RX / FAST / PU1 / VEXT / ES	4867020	175644	General-purpose I/O
60	P13.12	SLOW / PU1 / VEXT / ES	4942071	322614	General-purpose I/O
61	VDD	Vx	5031567	175644	Supply Voltage
62	P13.13	SLOW / PU1 / VEXT / ES	5125563	322614	General-purpose I/O
63	VSS	Vx	5219559	175644	Supply Voltage
64	P13.14	SLOW / PU1 / VEXT / ES	5309055	322614	General-purpose I/O
65	VSS	Vx	5356053	175644	Supply Voltage
66	P13.15	SLOW / PU1 / VEXT / ES	5403051	322614	General-purpose I/O
67	VEXT	Vx	5450049	175644	Supply Voltage
68	P12.0	SLOW / PU1 / VFLEX / ES	5547231	322614	General-purpose I/O

Pin Definition and Functions: Sequence of Pads in Pad Frame
Table 2-63 Pad List (cont'd)

Number	Pad Name	Pad Type	X	Y	Comment
69	P12.1	SLOW / PU1 / VFLEX / ES	5594229	175644	General-purpose I/O
70	P11.0	RFAST / PU1 / VFLEX / ES	5703633	322614	General-purpose I/O
71	VFLEX	Vx	5750631	175644	Supply Voltage
72	P11.1	RFAST / PU1 / VFLEX / ES	5825835	322614	General-purpose I/O
73	VSS	Vx	5872833	175644	Supply Voltage
74	P11.2	RFAST / PU1 / VFLEX / ES	5948037	322614	General-purpose I/O
75	VDD	Vx	5995035	175644	Supply Voltage
76	P11.4	RFAST / PU1 / VFLEX / ES	6110739	322614	General-purpose I/O
77	VSS	Vx	6198237	175644	Supply Voltage
78	P11.3	RFAST / PU1 / VFLEX / ES	6273441	322614	General-purpose I/O
79	VFLEX	Vx	6320439	175644	Supply Voltage
80	P11.6	RFAST / PU1 / VFLEX / ES	6395643	322614	General-purpose I/O
81	VSS	Vx	6442641	175644	Supply Voltage
82	P11.5	SLOW / RGMII_Input / PU1 / VFLEX / ES	6489639	322614	General-purpose I/O
83	VDD	Vx	6602499	175644	Supply Voltage
84	VSS	Vx	6687999	175644	Supply Voltage
85	P11.7	SLOW / RGMII_Input / PU1 / VFLEX / ES	6791499	175644	General-purpose I/O
86	P11.9	FAST / RGMII_Input / PU1 / VFLEX / ES	6842097	322614	General-purpose I/O
87	VFLEX	Vx	6892695	175644	Supply Voltage
88	P11.8	SLOW / RGMII_Input / PU1 / VFLEX / ES	6939693	322614	General-purpose I/O
89	P11.10	FAST / RGMII_Input / PU1 / VFLEX / ES	6990291	175644	General-purpose I/O

Pin Definition and Functions: Sequence of Pads in Pad Frame
Table 2-63 Pad List (cont'd)

Number	Pad Name	Pad Type	X	Y	Comment
90	P11.11	FAST / RGMII_Input / PU1 / VFLEX / ES	7040889	322614	General-purpose I/O
91	VSS	Vx	7091487	175644	Supply Voltage
92	P11.12	FAST / RGMII_Input / PU1 / VFLEX / ES	7138485	322614	General-purpose I/O
93	VDD	Vx	7209999	175644	Supply Voltage
94	VSS	Vx	7302285	175644	Supply Voltage
95	P11.14	SLOW / PU1 / VFLEX / ES	7399503	322614	General-purpose I/O
96	P11.13	SLOW / PU1 / VFLEX / ES	7446501	175644	General-purpose I/O
97	P11.15	SLOW / PU1 / VFLEX / ES	7493499	322614	General-purpose I/O
98	VSS	Vx	7567713	175644	Supply Voltage
99	VDD	Vx	7632711	322614	Supply Voltage
100	P10.0	SLOW / PU1 / VEXT / ES	7715709	322614	General-purpose I/O
101	P10.1	FAST / PU1 / VEXT / ES	7762707	175644	General-purpose I/O
102	P10.3	FAST / PU1 / VEXT / ES	7809705	322614	General-purpose I/O
103	P10.4	FAST / PU1 / VEXT / ES	7856703	175644	General-purpose I/O
104	P10.2	FAST / PU1 / VEXT / ES	7903701	322614	General-purpose I/O
105	VSS	Vx	7950699	175644	Supply Voltage
106	P10.6	SLOW / PU2 / VEXT / ES	7997697	322614	General-purpose I/O
107	P10.5	SLOW / PU2 / VEXT / ES	8044695	175644	General-purpose I/O
108	P10.7	SLOW / PU1 / VEXT / ES	8091693	322614	General-purpose I/O
109	VEXT	Vx	8138691	175644	Supply Voltage
110	P10.9	SLOW / PU1 / VEXT / ES	8185689	322614	General-purpose I/O
111	P10.8	SLOW / PU1 / VEXT / ES	8232687	175644	General-purpose I/O
112	VDDSB	Vx	8279685	322614	Supply Voltage

Pin Definition and Functions: Sequence of Pads in Pad Frame
Table 2-63 Pad List (cont'd)

Number	Pad Name	Pad Type	X	Y	Comment
113	VSS	Vx	8326683	175644	Supply Voltage
114	P10.10	SLOW / PU1 / VEXT / ES	8389701	322614	General-purpose I/O
115	VSS	Vx	8436699	175644	Supply Voltage
116	P10.11	SLOW / PU1 / VEXT / ES	8483697	322614	General-purpose I/O
117	VDD	Vx	8548695	175644	Supply Voltage
118	P10.13	SLOW / PU1 / VEXT / ES	8613693	322614	General-purpose I/O
119	VSS	Vx	8685513	175644	Supply Voltage
120	VDDSB	Vx	8732511	322614	Supply Voltage
121	VDDSB	Vx	8815509	322614	Supply Voltage
122	VSS	Vx	8862507	175644	Supply Voltage
123	P10.14	SLOW / PU1 / VEXT / ES	8909505	322614	General-purpose I/O
124	VEXT	Vx	8956503	175644	Supply Voltage
125	P10.15	SLOW / PU1 / VEXT / ES	9003501	322614	General-purpose I/O
126	P51.0	LVDS_RX / HighZ / VEXT / ES	9067500	175644	General-purpose I/O
127	P51.1	LVDS_RX / HighZ / VEXT / ES	9148500	175644	General-purpose I/O
128	P51.2	LVDS_RX / HighZ / VEXT / ES	9229500	175644	General-purpose I/O
129	P51.3	LVDS_RX / HighZ / VEXT / ES	9310500	175644	General-purpose I/O
130	P51.4	LVDS_RX / HighZ / VEXT / ES	9391500	175644	General-purpose I/O
131	P51.5	LVDS_RX / HighZ / VEXT / ES	9472500	175644	General-purpose I/O
132	P51.6	LVDS_RX / HighZ / VEXT / ES	9589500	175644	General-purpose I/O
133	P51.7	LVDS_RX / HighZ / VEXT / ES	9670500	175644	General-purpose I/O

Pin Definition and Functions: Sequence of Pads in Pad Frame
Table 2-63 Pad List (cont'd)

Number	Pad Name	Pad Type	X	Y	Comment
134	P51.8	LVDS_RX / HighZ/VEXT / ES	9751500	175644	General-purpose I/O
135	P51.9	LVDS_RX / HighZ/VEXT / ES	9832500	175644	General-purpose I/O
136	P51.10	LVDS_RX / HighZ/VEXT / ES	9913500	175644	General-purpose I/O
137	P51.11	LVDS_RX / HighZ/VEXT / ES	9994500	175644	General-purpose I/O
138	VDDSB	Vx	10085499	175644	Supply Voltage
139	VSS	Vx	10185741	175644	Supply Voltage
140	VEXT	Vx	10265796	255699	Supply Voltage
141	VSS	Vx	10265796	356499	Supply Voltage
142	P50.0	LVDS_RX / HighZ/VEXT / ES	10265796	474300	General-purpose I/O
143	P50.1	LVDS_RX / HighZ/VEXT / ES	10265796	555300	General-purpose I/O
144	P50.2	LVDS_RX / HighZ/VEXT / ES	10265796	636300	General-purpose I/O
145	P50.3	LVDS_RX / HighZ/VEXT / ES	10265796	717300	General-purpose I/O
146	P50.4	LVDS_RX / HighZ/VEXT / ES	10265796	798300	General-purpose I/O
147	P50.5	LVDS_RX / HighZ/VEXT / ES	10265796	879300	General-purpose I/O
148	P50.6	LVDS_RX / HighZ/VEXT / ES	10265796	996300	General-purpose I/O
149	P50.7	LVDS_RX / HighZ/VEXT / ES	10265796	1077300	General-purpose I/O
150	P50.8	LVDS_RX / HighZ/VEXT / ES	10265796	1158300	General-purpose I/O

Pin Definition and Functions: Sequence of Pads in Pad Frame
Table 2-63 Pad List (cont'd)

Number	Pad Name	Pad Type	X	Y	Comment
151	P50.9	LVDS_RX / HighZ / VEXT / ES	10265796	1239300	General-purpose I/O
152	P50.10	LVDS_RX / HighZ / VEXT / ES	10265796	1320300	General-purpose I/O
153	P50.11	LVDS_RX / HighZ / VEXT / ES	10265796	1401300	General-purpose I/O
154	VDDSB	Vx	10118826	1465299	Supply Voltage
155	VSS	Vx	10265796	1512297	Supply Voltage
156	P02.13	SLOW / PU1 / VEXT / ES	10118826	1586295	General-purpose I/O
157	VDD	Vx	10265796	1679499	Supply Voltage
158	P02.12	SLOW / PU1 / VEXT / ES	10118826	1751499	General-purpose I/O
159	VEXT	Vx	10265796	1798497	Supply Voltage
160	P02.15	FAST / PU1 / VEXT / ES	10118826	1845495	General-purpose I/O
161	VSS	Vx	10265796	1892493	Supply Voltage
162	P02.14	SLOW / PU1 / VEXT / ES	10118826	1939491	General-purpose I/O
163	P02.9	SLOW / PU1 / VEXT / ES	10265796	1986489	General-purpose I/O
164	P02.4	FAST / PU1 / VEXT / ES	10118826	2033487	General-purpose I/O
165	P02.0	FAST / PU1 / VEXT / ES	10265796	2080485	General-purpose I/O
166	P02.5	FAST / PU1 / VEXT / ES	10118826	2127483	General-purpose I/O
167	P02.1	SLOW / PU1 / VEXT / ES	10265796	2174481	General-purpose I/O
168	P01.0	SLOW / PU1 / VEXT / ES	10118826	2221479	General-purpose I/O
169	VSS	Vx	10265796	2292975	Supply Voltage
170	VSS	Vx	10265796	2411199	Supply Voltage
171	VDDSB	Vx	10118826	2458197	Supply Voltage
172	P02.11	SLOW / PU1 / VEXT / ES	10265796	2505195	General-purpose I/O
173	P02.6	FAST / PU1 / VEXT / ES	10118826	2552193	General-purpose I/O

Pin Definition and Functions: Sequence of Pads in Pad Frame
Table 2-63 Pad List (cont'd)

Number	Pad Name	Pad Type	X	Y	Comment
174	P02.2	FAST / PU1 / VEXT / ES	10265796	2599191	General-purpose I/O
175	P01.1	SLOW / PU1 / VEXT / ES	10118826	2646189	General-purpose I/O
176	P02.3	SLOW / PU1 / VEXT / ES	10265796	2693187	General-purpose I/O
177	P01.2	SLOW / PU1 / VEXT / ES	10118826	2740185	General-purpose I/O
178	VDD	Vx	10265796	2831499	Supply Voltage
179	VDD	Vx	10265796	2921499	Supply Voltage
180	P02.7	FAST / PU1 / VEXT / ES	10265796	3037437	General-purpose I/O
181	VSS	Vx	10265796	3146499	Supply Voltage
182	P01.8	SLOW / PU1 / VEXT / ES	10118826	3285567	General-purpose I/O
183	P02.10	SLOW / PU1 / VEXT / ES	10265796	3332565	General-purpose I/O
184	P01.9	SLOW / PU1 / VEXT / ES	10118826	3379563	General-purpose I/O
185	P01.4	SLOW / PU1 / VEXT / ES	10265796	3426561	General-purpose I/O
186	P02.8	SLOW / PU1 / VEXT / ES	10118826	3473559	General-purpose I/O
187	VSS	Vx	10265796	3596553	Supply Voltage
188	VDDSB	Vx	10118826	3643551	Supply Voltage
189	VEXT	Vx	10265796	3708549	Supply Voltage
190	P01.11	SLOW / PU1 / VEXT / ES	10118826	3755547	General-purpose I/O
191	VSS	Vx	10265796	3802545	Supply Voltage
192	P01.10	SLOW / PU1 / VEXT / ES	10118826	3849543	General-purpose I/O
193	P01.3	SLOW / PU1 / VEXT / ES	10265796	3896541	General-purpose I/O
194	P00.0	FAST / PU1 / VEXT / ES	10118826	3943539	General-purpose I/O
195	P01.6	FAST / PU1 / VEXT / ES	10265796	3990537	General-purpose I/O
196	P01.13	FAST / PU1 / VEXT / ES	10118826	4037535	General-purpose I/O
197	P01.5	SLOW / PU1 / VEXT / ES	10265796	4084533	General-purpose I/O

Pin Definition and Functions: Sequence of Pads in Pad Frame
Table 2-63 Pad List (cont'd)

Number	Pad Name	Pad Type	X	Y	Comment
198	P01.12	FAST / PU1 / VEXT / ES	10118826	4131531	General-purpose I/O
199	VDD	Vx	10265796	4225527	Supply Voltage
200	P01.15	SLOW / PU1 / VEXT / ES	10118826	4319523	General-purpose I/O
201	VSS	Vx	10265796	4413519	Supply Voltage
202	VDDSB	Vx	10118826	4460517	Supply Voltage
203	VDDSB	Vx	10118826	4554513	Supply Voltage
204	VSS	Vx	10265796	4601511	Supply Voltage
205	P01.14	FAST / PU1 / VEXT / ES	10118826	4687515	General-purpose I/O
206	RESERVED	Vx	10265796	4734513	OTPMust be bonded to VSS
207	P00.13	FAST / PU1 / VEXT / ES	10118826	4781511	General-purpose I/O
208	VDD	Vx	10265796	4875507	Supply Voltage
209	P00.15	FAST / PU1 / VEXT / ES	10118826	4969503	General-purpose I/O
210	P01.7	FAST / PU1 / VEXT / ES	10265796	5016501	General-purpose I/O
211	P00.14	SLOW / PU1 / VEXT / ES	10118826	5063499	General-purpose I/O
212	VSS	Vx	10265796	5153499	Supply Voltage
213	VDD	Vx	10265796	5243499	Supply Voltage
214	VDD	Vx	10265796	5333499	Supply Voltage
215	P00.1	SLOW / PU1 / VEXT / ES	10265796	5471442	General-purpose I/O
216	P00.2	SLOW / PU1 / VEXT / ES1	10118826	5518440	General-purpose I/O
217	P00.3	SLOW / PU1 / VEXT / ES1	10265796	5565438	General-purpose I/O
218	P00.4	SLOW / PU1 / VEXT / ES1	10118826	5612436	General-purpose I/O
219	VSS	Vx	10265796	5659434	Supply Voltage
220	P00.5	SLOW / PU1 / VEXT / ES1	10118826	5706432	General-purpose I/O
221	VEXT	Vx	10265796	5753430	Supply Voltage
222	P00.6	SLOW / PU1 / VEXT / ES1	10118826	5800428	General-purpose I/O
223	P00.7	SLOW / PU1 / VEXT / ES1	10265796	5847426	General-purpose I/O

Pin Definition and Functions: Sequence of Pads in Pad Frame
Table 2-63 Pad List (cont'd)

Number	Pad Name	Pad Type	X	Y	Comment
224	P00.8	SLOW / PU1 / VEXT / ES1	10118826	5894424	General-purpose I/O
225	P00.9	SLOW / PU1 / VEXT / ES1	10265796	5941422	General-purpose I/O
226	P00.10	SLOW / PU1 / VEXT / ES1	10118826	5988420	General-purpose I/O
227	P00.11	SLOW / PU1 / VEXT / ES1	10265796	6035418	General-purpose I/O
228	P00.12	SLOW / PU1 / VEXT / ES1	10118826	6082416	General-purpose I/O
229	AN47	D / HighZ / VDDM	10265796	6156630	Analog Input 47
230	VDDM	Vx	10118826	6203628	Supply Voltage
231	VSSM	Vx	10265796	6250626	Supply Voltage
232	AN46	D / HighZ / VDDM	10118826	6297624	Analog Input 46
233	AN45	D / HighZ / VDDM	10265796	6344622	Analog Input 45
234	VDDM	Vx	10118826	6391620	Supply Voltage
235	VSSM	Vx	10265796	6438618	Supply Voltage
236	AN44	D / HighZ / VDDM	10118826	6485616	Analog Input 44
237	VAREF5	Vx	10265796	6532614	Supply Voltage
238	VAREF4	Vx	10118826	6594615	Supply Voltage
239	VAGND5	Vx	10265796	6656616	Supply Voltage
240	VAGND4	Vx	10118826	6718617	Supply Voltage
241	AN43	D / HighZ / VDDM	10265796	6765615	Analog Input 43
242	AN42	D / HighZ / VDDM	10118826	6812613	Analog Input 42
243	VSSM	Vx	10265796	6859611	Supply Voltage
244	VDDM	Vx	10118826	6906609	Supply Voltage
245	AN41	D / HighZ / VDDM	10265796	6953607	Analog Input 41
246	AN40	D / HighZ / VDDM	10118826	7000605	Analog Input 40
247	VSSM	Vx	10265796	7047603	Supply Voltage
248	AN39/P40.9	S / HighZ / VDDM	10118826	7094601	Analog Input 39
249	VDDM_EXT_CONVPAD	Vx	10265796	7141599	Supply Voltage

Pin Definition and Functions: Sequence of Pads in Pad Frame
Table 2-63 Pad List (cont'd)

Number	Pad Name	Pad Type	X	Y	Comment
250	AN38/P40.8	S / HighZ / VDDM	10118826	7188597	Analog Input 38
251	AN37/P40.7	S / HighZ / VDDM	10265796	7235595	Analog Input 37
252	AN36/P40.6	S / HighZ / VDDM	10118826	7282593	Analog Input 36
253	AN35	D / HighZ / VDDM	10265796	7329591	Analog Input 35
254	AN34	D / HighZ / VDDM	10118826	7376589	Analog Input 34
255	AN33/P40.5	S / HighZ / VDDM	10265796	7423587	Analog Input 33
256	AN32/P40.4	S / HighZ / VDDM	10118826	7470585	Analog Input 32
257	VAREF3	Vx	10265796	7517583	Supply Voltage
258	VAREF2	Vx	10118826	7579584	Supply Voltage
259	VAGND3	Vx	10265796	7641585	Supply Voltage
260	VAGND2	Vx	10118826	7703586	Supply Voltage
261	AN73	D / HighZ / VDDM	10265796	7750584	Analog Input 73
262	AN72	D / HighZ / VDDM	10118826	7797582	Analog Input 72
263	AN71/P41.3	S / HighZ / VDDM	10265796	7844580	Analog Input 71
264	AN70/P41.2	S / HighZ / VDDM	10118826	7891578	Analog Input 70
265	AN69/P41.1	S / HighZ / VDDM	10265796	7938576	Analog Input 69
266	AN68/P41.0	S / HighZ / VDDM	10118826	7985574	Analog Input 68
267	AN67/P40.15	S / HighZ / VDDM	10265796	8032572	Analog Input 67
268	AN66	D / HighZ / VDDM	10118826	8079570	Analog Input 66
269	AN65	D / HighZ / VDDM	10265796	8126568	Analog Input 65
270	VDDM_EXT_CONVIF	Vx	10118826	8173566	Supply Voltage
271	VSSM_CONVIF	Vx	10265796	8220564	Supply Voltage
272	AN64/P41.8	S / HighZ / VDDM	10118826	8267562	Analog Input 64

Pin Definition and Functions: Sequence of Pads in Pad Frame
Table 2-63 Pad List (cont'd)

Number	Pad Name	Pad Type	X	Y	Comment
273	AN63/P41.7	S / HighZ / VDDM	10265796	8314560	Analog Input 63
274	AN62/P41.6	S / HighZ / VDDM	10118826	8361558	Analog Input 62
275	AN61	D / HighZ / VDDM	10265796	8408556	Analog Input 61
276	AN60	D / HighZ / VDDM	10118826	8455554	Analog Input 60
277	AN59	D / HighZ / VDDM	10265796	8502552	Analog Input 59
278	AN58	D / HighZ / VDDM	10118826	8549550	Analog Input 58
279	AN57	D / HighZ / VDDM	10265796	8596548	Analog Input 57
280	AN56	D / HighZ / VDDM	10118826	8643546	Analog Input 56
281	AN55/P41.5	S / HighZ / VDDM	10265796	8690544	Analog Input 55
282	AN54/P41.4	S / HighZ / VDDM	10118826	8737542	Analog Input 54
283	AN53	D / HighZ / VDDM	10265796	8784540	Analog Input 53
284	AN52	D / HighZ / VDDM	10118826	8831538	Analog Input 52
285	AN51	D / HighZ / VDDM	10265796	8878536	Analog Input 51
286	AN50	D / HighZ / VDDM	10265796	8958537	Analog Input 50
287	AN49	D / HighZ / VDDM	10265796	9038538	Analog Input 49
288	AN48	D / HighZ / VDDM	10265796	9118539	Analog Input 48
289	AN31	D / HighZ / VDDM	10194939	9189396	Analog Input 31
290	AN30	D / HighZ / VDDM	10114938	9189396	Analog Input 30
291	AN29/P40.14	S / HighZ / VDDM	10034937	9189396	Analog Input 29
292	AN28/P40.13	S / HighZ / VDDM	9954936	9189396	Analog Input 28
293	AN27/P40.3	S / HighZ / VDDM	9907938	9042426	Analog Input 27

Pin Definition and Functions: Sequence of Pads in Pad Frame
Table 2-63 Pad List (cont'd)

Number	Pad Name	Pad Type	X	Y	Comment
294	AN26/P40.2	S / HighZ / VDDM	9860940	9189396	Analog Input 26
295	AN25/P40.1	S / HighZ / VDDM	9813942	9042426	Analog Input 25
296	AN24/P40.0	S / HighZ / VDDM	9766944	9189396	Analog Input 24
297	AN23	D / HighZ / VDDM	9719946	9042426	Analog Input 23
298	AN22	D / HighZ / VDDM	9672948	9189396	Analog Input 22
299	AN21	D / HighZ / VDDM	9625950	9042426	Analog Input 21
300	AN20	D / HighZ / VDDM	9578952	9189396	Analog Input 20
301	AN19/P40.12	S / HighZ / VDDM	9531954	9042426	Analog Input 19
302	AN18/P40.11	S / HighZ / VDDM	9484956	9189396	Analog Input 18
303	AN17/P40.10	S / HighZ / VDDM	9437958	9042426	Analog Input 17
304	AN16	D / HighZ / VDDM	9390960	9189396	Analog Input 16
305	AN15	D / HighZ / VDDM	9343962	9042426	Analog Input 15
306	VAGND1	Vx	9296964	9189396	Supply Voltage
307	VAGND0	Vx	9249966	9042426	Supply Voltage
308	VAREF1	Vx	9202968	9189396	Supply Voltage
309	VAREF0	Vx	9155970	9042426	Supply Voltage
310	AN14	D / HighZ / VDDM	9108972	9189396	Analog Input 14
311	VDDM	Vx	9061974	9042426	Supply Voltage
312	VSSM	Vx	9014976	9189396	Supply Voltage
313	AN13	D / HighZ / VDDM	8967978	9042426	Analog Input 13
314	VSSM	Vx	8920980	9189396	Supply Voltage
315	VDDM	Vx	8873982	9042426	Supply Voltage
316	AN12	D / HighZ / VDDM	8826984	9189396	Analog Input 12
317	AN11	D / HighZ / VDDM	8779986	9042426	Analog Input 11
318	AN10	D / HighZ / VDDM	8732988	9189396	Analog Input 10

Pin Definition and Functions: Sequence of Pads in Pad Frame
Table 2-63 Pad List (cont'd)

Number	Pad Name	Pad Type	X	Y	Comment
319	AN9	D / HighZ / VDDM	8685990	9042426	Analog Input 9
320	AN8	D / HighZ / VDDM	8638992	9189396	Analog Input 8
321	AN7	D / HighZ / VDDM	8591994	9042426	Analog Input 7
322	AN6	D / HighZ / VDDM	8544996	9189396	Analog Input 6
323	AN5	D / HighZ / VDDM	8497998	9042426	Analog Input 5
324	AN4	D / HighZ / VDDM	8451000	9189396	Analog Input 4
325	AN3	D / HighZ / VDDM	8404002	9042426	Analog Input 3
326	AN2	D / HighZ / VDDM	8357004	9189396	Analog Input 2
327	AN1	D / HighZ / VDDM	8310006	9042426	Analog Input 1
328	AN0	D / HighZ / VDDM	8263008	9189396	Analog Input 0
329	VEVRSB	Vx	8176041	9042426	Supply Voltage
330	VSS	Vx	8104041	9189396	Supply Voltage
331	VDD	Vx	8057043	9042426	Supply Voltage
332	VSS	Vx	8010045	9189396	Supply Voltage
333	AGBTCLKN (VSS)	AGBT_CLK / VEXT	7888959	9189441	Input PAD (negative pole) for the external 100 MHz differential clock. AGBT Input; (TC3xx devices without AGBT: VSS)
334	AGBTCLKP (VSS)	AGBT_CLK / VEXT	7807869	9189441	Input PAD (positive pole) for the external 100 MHz differential clock. AGBT Input; (TC3xx devices without AGBT: VSS)
335	VEXT	Vx	7726959	9189441	Supply Voltage
336	VSS	Vx	7645959	9189441	Supply Voltage
337	AGBTTXN (VSS)	AGBT_TX / VEXT	7538027	9189441	Off-chip driver output PAD of the 2.5Gbps transmitter, negative pole AGBT Output; (TC3xx devices without AGBT: VSS)

Pin Definition and Functions: Sequence of Pads in Pad Frame
Table 2-63 Pad List (cont'd)

Number	Pad Name	Pad Type	X	Y	Comment
338	AGBTXP (VSS)	AGBT_TX / VEXT	7456937	9189441	Off-chip driver output PAD of the 2.5Gbps transmitter, positive pole AGBT Output; (TC3xx devices without AGBT: VSS)
339	AGBTERR (VSS)	FAST / PD / VEXT	7266739	9189302	Input PAD for CRC error from FPGA. AGBT Input; (TC3xx devices without AGBT: VSS)
340	VDD	Vx	7168018	9042426	Supply Voltage
341	VSS	Vx	7121020	9189396	Supply Voltage
342	P33.1	SLOW / PU1 / VEVRSB / ES5	7071741	9042426	General-purpose I/O
343	P33.0	SLOW / PU1 / VEVRSB / ES5	7024743	9189396	General-purpose I/O
344	P33.3	SLOW / PU1 / VEVRSB / ES5	6977745	9042426	General-purpose I/O
345	P33.2	SLOW / PU1 / VEVRSB / ES5	6930747	9189396	General-purpose I/O
346	P33.5	SLOW / PU1 / VEVRSB / ES5	6883749	9042426	General-purpose I/O
347	P34.1	SLOW / PU1 / VEVRSB / ES5	6836751	9189396	General-purpose I/O
348	P33.4	SLOW / PU1 / VEVRSB / ES5	6789753	9042426	General-purpose I/O
349	P34.3	SLOW / PU1 / VEVRSB / ES	6742755	9189396	General-purpose I/O
350	P33.7	SLOW / PU1 / VEVRSB / ES5	6695757	9042426	General-purpose I/O
351	VSS	Vx	6605559	9189396	Supply Voltage
352	VDD	Vx	6558561	9042426	Supply Voltage
353	P34.2	SLOW / PU1 / VEVRSB / ES	6511563	9189396	General-purpose I/O
354	P33.6	SLOW / PU1 / VEVRSB / ES5	6464565	9042426	General-purpose I/O

Pin Definition and Functions: Sequence of Pads in Pad Frame
Table 2-63 Pad List (cont'd)

Number	Pad Name	Pad Type	X	Y	Comment
355	VSS	Vx	6417567	9189396	Supply Voltage
356	P33.9	SLOW / PU1 / VEVRSB / ES5	6370569	9042426	General-purpose I/O
357	VEVRSB	Vx	6323571	9189396	Supply Voltage
358	P33.8	FAST / HighZ / VEVRSB	6276573	9042426	General-purpose I/O
359	P34.5	FAST / PU1 / VEVRSB / ES	6229575	9189396	General-purpose I/O
360	P33.11	FAST / PU1 / VEVRSB / ES5	6182577	9042426	General-purpose I/O
361	P34.4	SLOW / PU1 / VEVRSB / ES	6135579	9189396	General-purpose I/O
362	P33.10	FAST / PU1 / VEVRSB / ES5	6088581	9042426	General-purpose I/O
363	P33.15	SLOW / PU1 / VEVRSB / ES5	6041583	9189396	General-purpose I/O
364	P33.13	FAST / PU1 / VEVRSB / ES5	5994585	9042426	General-purpose I/O
365	P33.14	FAST / PU1 / VEVRSB / ES5	5947587	9189396	General-purpose I/O
366	VEVRSB	Vx	5853591	9042426	Supply Voltage
367	VEVRSB	Vx	5806593	9189396	Supply Voltage
368	P33.12	FAST / PU1 / VEVRSB / ES5	5759595	9042426	General-purpose I/O
369	VSS	Vx	5712597	9189396	Supply Voltage
370	VEXT	Vx	5629383	9042426	Supply Voltage
371	P32.1	SLOW / PU1 / VEXT / ES	5582385	9189396	General-purpose I/O
372	VGATE1P	Vx	5535387	9042426	DCDC P ch. MOSFET gate driver output
373	VSS	Vx	5488389	9189396	Supply Voltage
374	VGATE1N	Vx	5441391	9042426	DCDC N ch. MOSFET gate driver output
375	P32.0	SLOW / PU1 / VEXT / ES	5394393	9189396	General-purpose I/O
376	VDD	Vx	5287941	9189396	Supply Voltage

Pin Definition and Functions: Sequence of Pads in Pad Frame
Table 2-63 Pad List (cont'd)

Number	Pad Name	Pad Type	X	Y	Comment
377	VSS	Vx	5197941	9189396	Supply Voltage
381	RESERVED	Vx	4747941	9189396	PBIST_OFF Must be bonded to VSS
383	VDD	Vx	4621941	9189396	Supply Voltage
384	VDD	Vx	4504941	9189396	Supply Voltage
386	VSS	Vx	4414941	9189396	Supply Voltage
387	VSS	Vx	4306941	9189396	Supply Voltage
388	VSS	Vx	4171941	9189396	Supply Voltage
389	VDD	Vx	4036941	9189396	Supply Voltage
390	P32.2	SLOW / PU1 / VEXT / ES	3915927	9042426	General-purpose I/O
391	P32.5	SLOW / PU1 / VEXT / ES	3868929	9189396	General-purpose I/O
392	P32.4	FAST / PU1 / VEXT / ES	3821931	9042426	General-purpose I/O
393	VSS	Vx	3774933	9189396	Supply Voltage
394	P32.3	SLOW / PU1 / VEXT / ES	3727935	9042426	General-purpose I/O
395	VEXT	Vx	3680937	9189396	Supply Voltage
396	P32.7	SLOW / PU1 / VEXT / ES	3633939	9042426	General-purpose I/O
397	P32.6	SLOW / PU1 / VEXT / ES	3586941	9189396	General-purpose I/O
398	VDD	Vx	3496941	9189396	Supply Voltage
399	VDD	Vx	3406941	9189396	Supply Voltage
400	VDD	Vx	3316941	9189396	Supply Voltage
401	VSS	Vx	3226941	9189396	Supply Voltage
402	VSS	Vx	3136941	9189396	Supply Voltage
403	VSS	Vx	3046941	9189396	Supply Voltage
404	VDD	Vx	2999943	9042426	Supply Voltage
405	VDD	Vx	2844441	9189396	Supply Voltage
406	VSS	Vx	2754441	9189396	Supply Voltage
407	P31.0	FAST / PU1 / VEBU / ES	2653911	9189396	General-purpose I/O
408	P31.1	FAST / PU1 / VEBU / ES	2606913	9042426	General-purpose I/O
409	P31.2	FAST / PU1 / VEBU / ES	2559915	9189396	General-purpose I/O
410	P31.3	FAST / PU1 / VEBU / ES	2512917	9042426	General-purpose I/O
411	VSS	Vx	2465919	9189396	Supply Voltage

Pin Definition and Functions: Sequence of Pads in Pad Frame
Table 2-63 Pad List (cont'd)

Number	Pad Name	Pad Type	X	Y	Comment
412	P31.4	FAST / PU1 / VEBU / ES	2418921	9042426	General-purpose I/O
413	P31.5	FAST / PU1 / VEBU / ES	2371923	9189396	General-purpose I/O
414	P31.6	FAST / PU1 / VEBU / ES	2324925	9042426	General-purpose I/O
415	P31.7	FAST / PU1 / VEBU / ES	2277927	9189396	General-purpose I/O
416	P31.8	FAST / PU1 / VEBU / ES	2230929	9042426	General-purpose I/O
417	VEBU	Vx	2183931	9189396	Supply Voltage
418	P31.9	FAST / PU1 / VEBU / ES	2136933	9042426	General-purpose I/O
419	P31.10	FAST / PU1 / VEBU / ES	2089935	9189396	General-purpose I/O
420	P31.11	FAST / PU1 / VEBU / ES	2042937	9042426	General-purpose I/O
421	P31.14	FAST / PU1 / VEBU / ES	1995939	9189396	General-purpose I/O
422	P31.12	FAST / PU1 / VEBU / ES	1948941	9042426	General-purpose I/O
423	VDD	Vx	1858941	9189396	Supply Voltage
424	VSS	Vx	1768941	9189396	Supply Voltage
425	P31.13	FAST / PU1 / VEBU / ES	1679913	9042426	General-purpose I/O
426	P31.15	FAST / PU1 / VEBU / ES	1632915	9189396	General-purpose I/O
427	P30.0	FAST / PU1 / VEBU / ES	1585917	9042426	General-purpose I/O
428	P30.1	FAST / PU1 / VEBU / ES	1538919	9189396	General-purpose I/O
429	P30.2	FAST / PU1 / VEBU / ES	1491921	9042426	General-purpose I/O
430	P30.3	FAST / PU1 / VEBU / ES	1444923	9189396	General-purpose I/O
431	P30.4	FAST / PU1 / VEBU / ES	1397925	9042426	General-purpose I/O
432	VEBU	Vx	1350927	9189396	Supply Voltage
433	P30.5	FAST / PU1 / VEBU / ES	1303929	9042426	General-purpose I/O
434	P30.6	FAST / PU1 / VEBU / ES	1256931	9189396	General-purpose I/O

Pin Definition and Functions: Sequence of Pads in Pad Frame
Table 2-63 Pad List (cont'd)

Number	Pad Name	Pad Type	X	Y	Comment
435	P30.7	FAST / PU1 / VEBU / ES	1209933	9042426	General-purpose I/O
436	P30.8	FAST / PU1 / VEBU / ES	1162935	9189396	General-purpose I/O
437	P30.9	FAST / PU1 / VEBU / ES	1115937	9042426	General-purpose I/O
438	VSS	Vx	1068939	9189396	Supply Voltage
439	P30.10	FAST / PU1 / VEBU / ES	1021941	9042426	General-purpose I/O
440	VSS	Vx	931941	9189396	Supply Voltage
441	VDD	Vx	841941	9189396	Supply Voltage
442	P30.11	FAST / PU1 / VEBU / ES	754137	9042426	General-purpose I/O
443	P30.12	FAST / PU1 / VEBU / ES	707139	9189396	General-purpose I/O
444	P30.15	FAST / PU1 / VEBU / ES	660141	9042426	General-purpose I/O
445	P30.13	FAST / PU1 / VEBU / ES	559341	9189396	General-purpose I/O
446	P30.14	FAST / PU1 / VEBU / ES	458541	9189396	General-purpose I/O
447	P26.0	SLOW / PU1 / VEBU / ES	357741	9189396	General-purpose I/O
448	P25.0	FAST / PU1 / VEBU / ES	256941	9189396	General-purpose I/O
449	P25.1	FAST / PU1 / VEBU / ES	175644	9109341	General-purpose I/O
450	P25.2	FAST / PU1 / VEBU / ES	175644	9008541	General-purpose I/O
451	P25.3	FAST / PU1 / VEBU / ES	175644	8907741	General-purpose I/O
452	P25.4	FAST / PU1 / VEBU / ES	175644	8806941	General-purpose I/O
453	P25.5	FAST / PU1 / VEBU / ES	175644	8706141	General-purpose I/O
454	P25.7	FAST / PU1 / VEBU / ES	322614	8659143	General-purpose I/O
455	VEBU	Vx	175644	8612145	Supply Voltage
456	P25.9	FAST / PU1 / VEBU / ES	322614	8565147	General-purpose I/O
457	VSS	Vx	175644	8518149	Supply Voltage

Pin Definition and Functions: Sequence of Pads in Pad Frame
Table 2-63 Pad List (cont'd)

Number	Pad Name	Pad Type	X	Y	Comment
458	P25.8	FAST / PU1 / VEBU / ES	322614	8471151	General-purpose I/O
459	VDD	Vx	175644	8410653	Supply Voltage
460	P25.11	FAST / PU1 / VEBU / ES	322614	8350155	General-purpose I/O
461	VSS	Vx	175644	8289657	Supply Voltage
462	P25.10	FAST / PU1 / VEBU / ES	322614	8229159	General-purpose I/O
463	P25.12	FAST / PU1 / VEBU / ES	175644	8182161	General-purpose I/O
464	P25.13	FAST / PU1 / VEBU / ES	322614	8135163	General-purpose I/O
465	P25.14	FAST / PU1 / VEBU / ES	175644	8088165	General-purpose I/O
466	P25.15	FAST / PU1 / VEBU / ES	322614	8041167	General-purpose I/O
467	P25.6	FAST / PU1 / VEBU / ES	175644	7994169	General-purpose I/O
468	P24.1	FAST / PU1 / VEBU / ES	322614	7947171	General-purpose I/O
469	P24.0	FAST / PU1 / VEBU / ES	175644	7900173	General-purpose I/O
470	P24.3	FAST / PU1 / VEBU / ES	322614	7853175	General-purpose I/O
471	VDD	Vx	175644	7780041	Supply Voltage
472	P24.2	FAST / PU1 / VEBU / ES	322614	7708041	General-purpose I/O
473	VSS	Vx	175644	7645041	Supply Voltage
474	P24.5	FAST / PU1 / VEBU / ES	322614	7577667	General-purpose I/O
475	P24.4	FAST / PU1 / VEBU / ES	175644	7530669	General-purpose I/O
476	P24.7	FAST / PU1 / VEBU / ES	322614	7483671	General-purpose I/O
477	P24.6	FAST / PU1 / VEBU / ES	175644	7436673	General-purpose I/O
478	P24.9	FAST / PU1 / VEBU / ES	322614	7389675	General-purpose I/O
479	VEBU	Vx	175644	7342677	Supply Voltage
480	P24.11	FAST / PU1 / VEBU / ES	322614	7295679	General-purpose I/O
481	VSS	Vx	175644	7248681	Supply Voltage

Pin Definition and Functions: Sequence of Pads in Pad Frame
Table 2-63 Pad List (cont'd)

Number	Pad Name	Pad Type	X	Y	Comment
482	P24.13	FAST / PU1 / VEBU / ES	322614	7201683	General-purpose I/O
483	P24.8	FAST / PU1 / VEBU / ES	175644	7154685	General-purpose I/O
484	P24.14	FAST / PU1 / VEBU / ES	322614	7107687	General-purpose I/O
485	P24.10	FAST / PU1 / VEBU / ES	175644	7060689	General-purpose I/O
486	P24.15	FAST / PU1 / VEBU / ES	322614	7013691	General-purpose I/O
487	P24.12	FAST / PU1 / VEBU / ES	175644	6966693	General-purpose I/O
488	P23.0	SLOW / PU1 / VEXT / ES	322614	6892479	General-purpose I/O
489	VDD	Vx	175644	6785541	Supply Voltage
490	VDD	Vx	175644	6695541	Supply Voltage
491	P23.2	SLOW / PU1 / VEXT / ES	322614	6592041	General-purpose I/O
492	VSS	Vx	175644	6488541	Supply Voltage
493	VSS	Vx	175644	6398541	Supply Voltage
494	P23.1	FAST / PU1 / VEXT / ES	322614	6295041	General-purpose I/O
495	P23.5	FAST / PU1 / VEXT / ES	175644	6248043	General-purpose I/O
496	P23.4	FAST / PU1 / VEXT / ES	322614	6201045	General-purpose I/O
497	VSS	Vx	175644	6154047	Supply Voltage
498	P23.3	SLOW / PU1 / VEXT / ES	322614	6107049	General-purpose I/O
499	P23.6	SLOW / PU1 / VEXT / ES	175644	6060051	General-purpose I/O
500	VEXT	Vx	322614	6013053	Supply Voltage
501	P23.7	SLOW / PU1 / VEXT / ES	175644	5966055	General-purpose I/O
502	VDD	Vx	175644	5849541	Supply Voltage
503	VSS	Vx	175644	5759541	Supply Voltage
505	VDD	Vx	348147	5664825	Supply Voltage
506	VSS	Vx	179145	5617827	Supply Voltage
507	XTAL1	XTAL / VEXT	179145	5458176	XTAL pad1 XTAL1. Main Oscillator/PLL/Clock Generator Input.

Pin Definition and Functions: Sequence of Pads in Pad Frame
Table 2-63 Pad List (cont'd)

Number	Pad Name	Pad Type	X	Y	Comment
508	XTAL2	XTAL / VEXT	179145	5364180	XTAL pad2 XTAL2. Main Oscillator/PLL/Clock Generator OUTPUT
509	VSS	Vx	179145	5204529	Supply Voltage
510	VEXT	Vx	348147	5157531	Supply Voltage
512	P22.2	LVDS_TX / FAST / PU1 / VEXT / ES6	322614	4988520	General-purpose I/O
513	P22.3	LVDS_TX / FAST / PU1 / VEXT / ES6	322614	4894524	General-purpose I/O
514	VDD	Vx	322614	4783023	Supply Voltage
515	VSS	Vx	175644	4713525	Supply Voltage
516	P22.0	LVDS_TX / FAST / PU1 / VEXT / ES6	322614	4602024	General-purpose I/O
517	P22.1	LVDS_TX / FAST / PU1 / VEXT / ES6	322614	4508028	General-purpose I/O
518	P22.4	FAST / PU1 / VEXT / ES	175644	4396527	General-purpose I/O
519	P22.5	FAST / PU1 / VEXT / ES	322614	4349529	General-purpose I/O
520	P22.6	SLOW / PU1 / VEXT / ES	175644	4302531	General-purpose I/O
521	P22.7	SLOW / PU1 / VEXT / ES	322614	4255533	General-purpose I/O
522	VSS	Vx	175644	4208535	Supply Voltage
523	VEXT	Vx	322614	4161537	Supply Voltage
524	P22.8	SLOW / PU1 / VEXT / ES	175644	4114539	General-purpose I/O
525	P22.9	SLOW / PU1 / VEXT / ES	322614	4067541	General-purpose I/O
526	VDD	Vx	175644	3977541	Supply Voltage
527	VSS	Vx	175644	3887541	Supply Voltage
528	P22.10	SLOW / PU1 / VEXT / ES	175644	3797037	General-purpose I/O
529	P22.11	SLOW / PU1 / VEXT / ES	322614	3750039	General-purpose I/O
530	DAPE0	FAST / PD2 / VEXT	175644	3703041	DAPE: DAPE0 Clock Input DAPE: DAPE0 clock input (PD Devices: NC)

Pin Definition and Functions: Sequence of Pads in Pad Frame
Table 2-63 Pad List (cont'd)

Number	Pad Name	Pad Type	X	Y	Comment
531	TRST	FAST / PU2 / VEXT	322614	3656043	JTAG Module Reset/Enable Input
532	VSS	Vx	175644	3609045	Supply Voltage
533	P21.0	LVDS_RX / FAST / PU1 / VEXT / ES	322614	3533994	General-purpose I/O
534	P21.1	LVDS_RX / FAST / PU1 / VEXT / ES	322614	3439998	General-purpose I/O
535	VDD	Vx	175644	3304647	Supply Voltage
536	P21.2	LVDS_RX / FAST / PU1 / VEXT / ES	322614	3211596	General-purpose I/O
537	P21.3	LVDS_RX / FAST / PU1 / VEXT / ES	322614	3117600	General-purpose I/O
538	VSS	Vx	175644	3024549	Supply Voltage
539	P21.4	LVDS_TX / FAST / PU1 / VEXT / ES6	322614	2913048	General-purpose I/O
540	P21.5	LVDS_TX / FAST / PU1 / VEXT / ES6	322614	2819052	General-purpose I/O
541	TMS	FAST / PD2 / VEXT	175644	2707551	JTAG Module State Machine Control Input
542	P20.0	FAST / PU1 / VEXT / ES	322614	2660553	General-purpose I/O
543	TCK	FAST / PD2 / VEXT	175644	2613555	JTAG Module Clock Input
544	P20.2	S / PU / VEXT	322614	2566557	General-purpose I/O This pin is latched at power on reset release to enter test mode.
545	VEXT	Vx	175644	2519559	Supply Voltage
546	VDD	Vx	175644	2436561	Supply Voltage
547	VDD	Vx	175644	2346561	Supply Voltage
548	VSS	Vx	175644	2229561	Supply Voltage
549	P20.3	SLOW / PU1 / VEXT / ES	322614	2081727	General-purpose I/O
550	DAPE1	FAST / PD2 / VEXT	175644	2034729	DAPE: DAPE1 Data I/O DAPE: DAPE1 Data I/O (PD Devices: VSS)

Pin Definition and Functions: Sequence of Pads in Pad Frame
Table 2-63 Pad List (cont'd)

Number	Pad Name	Pad Type	X	Y	Comment
551	P21.6/TDI	FAST / PD / PU2 / VEXT / ES3	322614	1987731	General-purpose I/O PD during Reset and in DAP/DAPE or JTAG mode. After Reset release and when not in DAP/DAPE or JTAG mode: PU. In Standby mode: HighZ.
552	DAPE2	FAST / PD2 / VEXT	175644	1940733	DAPE: DAPE2 Data I/O DAPE: DAPE2 Data I/O (PD Devices: VSS)
553	VEXT	Vx	322614	1893735	Supply Voltage
554	VSS	Vx	175644	1846737	Supply Voltage
555	P21.7/TDO	FAST / PU2 / VEXT / ES4	322614	1799739	General-purpose I/O
556	ESR1	FAST / PU1 / VEXT	175644	1752741	ESR1 Port Pin input - can be used to trigger a reset or an NMI ESR1: External System Request Reset 1. Default NMI function. See also SCU chapter for details. Default after power-on can be different. See also SCU chapter 'Reset Control Unit' and SCU_IOCRR register description. PMS_EVRWUP: EVR Wakeup Pin
557	P20.8	FAST / PU1 / VEXT / ES	322614	1705743	General-purpose I/O
558	VDD	Vx	175644	1642725	Supply Voltage
559	VSS	Vx	175644	1557225	Supply Voltage
560	P20.1	SLOW / PU1 / VEXT / ES	322614	1494207	General-purpose I/O

Pin Definition and Functions: Sequence of Pads in Pad Frame
Table 2-63 Pad List (cont'd)

Number	Pad Name	Pad Type	X	Y	Comment
561	$\overline{\text{ESR0}}$	FAST / OD / VEXT	175644	1447209	ESR0 Port Pin input - can be used to trigger a reset or an NMI ESR0: External System Request Reset 0. Default configuration during and after reset is open-drain driver. The driver drives low during power-on reset. This is valid additionally after deactivation of PORST_N until the internal reset phase has finished. See also SCU chapter for details. Default after power-on can be different. See also SCU chapter 'Reset Control Unit' and SCU_IOCRR register description. PMS_EVRWUP: EVR Wakeup Pin
562	$\overline{\text{PORST}}$	PORST / PD / VEXT	322614	1400211	PORST pin Power On Reset Input. Additional strong PD in case of power fail.
563	P20.6	SLOW / PU1 / VEXT / ES	175644	1353213	General-purpose I/O
564	P20.11	FAST / PU1 / VEXT / ES	322614	1306215	General-purpose I/O
565	P15.5	FAST / PU1 / VEXT / ES	175644	1259217	General-purpose I/O
566	P20.7	FAST / PU1 / VEXT / ES	322614	1212219	General-purpose I/O
567	VSS	Vx	175644	1165221	Supply Voltage
568	P20.10	FAST / PU1 / VEXT / ES	322614	1118223	General-purpose I/O
569	VEXT	Vx	175644	1071225	Supply Voltage
570	P20.13	FAST / PU1 / VEXT / ES	322614	1024227	General-purpose I/O
571	VDD	Vx	175644	968229	Supply Voltage
572	P20.12	FAST / PU1 / VEXT / ES	322614	912231	General-purpose I/O
573	VSS	Vx	175644	856233	Supply Voltage
574	P20.14	FAST / PU1 / VEXT / ES	322614	800235	General-purpose I/O

Pin Definition and Functions: Sequence of Pads in Pad Frame

Table 2-63 Pad List (cont'd)

Number	Pad Name	Pad Type	X	Y	Comment
575	P15.2	FAST / PU1 / VEXT / ES	175644	753237	General-purpose I/O
576	P15.0	FAST / PU1 / VEXT / ES	322614	706239	General-purpose I/O
577	P15.1	FAST / PU1 / VEXT / ES	175644	659241	General-purpose I/O
578	P15.3	FAST / PU1 / VEXT / ES	175644	558441	General-purpose I/O
579	P15.4	FAST / PU1 / VEXT / ES	175644	457641	General-purpose I/O
580	P15.6	FAST / PU1 / VEXT / ES	175644	356841	General-purpose I/O
581	P20.9	FAST / PU1 / VEXT / ES	175644	256041	General-purpose I/O

Whenever in table of section 3 'Electrical Specification' the term 'neighbor pads' is used, the detailed definition is provided by [Figure 2-63](#). This statement is also valid for next/nearest neighbor pads.

In order to find out who is affecting operation on a target pad (interfering) a number of active close-neighbor pads (ACNP) has to be defined.

Finding close-neighbor pads.

The Pad Ring has four edges: bottom, left, top, right. Each edge is limited, i.e. it has two ends.

Each pad has two direct (first) neighbors unless it is located at the end of the edge. In that case it only has one neighbor. Similarly, each pad has two indirect (second) neighbors unless it or its first neighbor is located at the end of the edge. These first and second neighbors we will collectively call Close-Neighbor pads. Therefore each pad has 2 to 4 close-neighbor pads.

Finding close-neighbors can be done with the following sequence:

- 1.) Choose a target pad and lookup its "X" and "Y" coordinates in table [Figure 2-63](#).
- 2.) Find first and second neighbors by calculating "X" and "Y" distance from the selected pad. [Figure 2-63](#) is sorted by "Y" coordinate, which might help locate the 4 close-neighbor candidates (if the pad is near the edge, it might end up with less than 4 close-neighbors).

Defining active pads:

Pad is active if it is currently in use and if it doesn't have "Vxx" in the name.

Figuring out number of active close-neighbor pads follow next rules:

- If the first neighbor is active, then we count it and also check if second neighbor (on the same side of selected pad) is active.
- If the first neighbor is not active, then we do not check the second on the same side.

2.5 Legend

The data in this chapter 2 match with the files TC39xed_IO_Spirit_v2.0.0.1.24.xml.

Column "Ctrl.":

I = Input (for GPIO port lines with IOCR bit field Selection PCx = 0XXX_B)

O = Output (for GPIO port lines the 'O' represents in most cases the port HWOUT function)

O0 = Output with IOCR bit field selection PCx = 1X000_B

O1 = Output with IOCR bit field selection PCx = 1X001_B (ALT1)

O2 = Output with IOCR bit field selection PCx = 1X010_B (ALT2)

O3 = Output with IOCR bit field selection PCx = 1X011_B (ALT3)

O4 = Output with IOCR bit field selection PCx = 1X100_B (ALT4)

O5 = Output with IOCR bit field selection PCx = 1X101_B (ALT5)

O6 = Output with IOCR bit field selection PCx = 1X110_B (ALT6)

O7 = Output with IOCR bit field selection PCx = 1X111_B (ALT7)

Column "Buffer Type":

RFAST = Pad class RFAST (5V/3.3V)

FAST = Pad class FAST (5V/3.3V)

SLOW = Pad class SLOW (5V/3.3V)

LVDS_TX = Pad class LVDS Transmit

LVDS_RX = Pad class LVDS Receive

S = Pad class S (Analog Input overlaid with General Purpose Input)

D = Pad class D (Analog Input)

Porst = Porst input Pad

XTAL1 = XTAL1 input Pad

XTAL2 = XTAL2 input Pad

PU = with pull-up device connected during reset ($\overline{\text{PORST}} = 0$)

PU1 = with pull-up device connected during reset ($\overline{\text{PORST}} = 0$)¹⁾

PU2 = with pull-up device connected during startup and reset, HighZ in Standby mode

PD = with pull-down device connected during reset ($\overline{\text{PORST}} = 0$)

PD1 = with pull-down device connected during reset ($\overline{\text{PORST}} = 0$)¹⁾

PD2 = with pull-down device connected during startup, reset, HighZ in Standby mode

OD = open drain during reset ($\overline{\text{PORST}} = 0$)

ES = Supports Emergency Stop

ES1 = ES. ES can be overruled by VADC, control via P00_PCSR

ES2 = ES. ES can be overruled by DXCPL - DAP over CAN physical layer, No overruling for DXCM - Debug over CAN message

ES3 = ES. ES can be overruled by JTAG mode if this pin is used as TDI

ES4 = ES. ES can be overruled by JTAG or Three Pin DAP mode

1) The default state of GPIOs (Px.y) during and after PORST active is controlled via HWCFG6 (P14.4). Pls. see also chapter PMS, HWCFG[6].

Pin Definition and Functions: Legend

ES5 = ES. ES can be overruled by the Standby Controller - SCR - if implemented. Overruling can be disabled via the control register P33_PCSR and P34_PCSR

ES6 = ES. On LVDS TX pads the ES affects the pads only in CMOS mode, not in LVDS mode. Thus, only when LPCRx.TX_EN selects the CMOS Mode, the output is switched off in the ES event

3 Electrical Specification

3.1 Parameter Interpretation

The parameters listed in this section partly represent the characteristics of the TC39x and partly its requirements on the system. To aid interpreting the parameters easily when evaluating them for a design, they are marked with an two-letter abbreviation in column "Symbol":

- **CC**
Such parameters indicate **C**ontroller **C**haracteristics which are a distinctive feature of the TC39x and must be regarded for a system design.
- **SR**
Such parameters indicate **S**ystem **R**equirements which must be provided by the microcontroller system in which the TC39x designed in.

3.2 Absolute Maximum Ratings

Stresses above the values listed under “Absolute Maximum Ratings” may cause permanent damage to the device. This is a stress rating only and functional operation of the device at these or any other conditions above those indicated in the Operational Conditions of this specification is not implied. Exposure to absolute maximum rating conditions may affect device reliability.

Table 3-1 Absolute Maximum Ratings

Parameter	Symbol	Values			Unit	Note / Test Condition
		Min.	Typ.	Max.		
Storage Temperature	T_{ST} SR	-65	-	150	°C	upto 65h @ $T_J = 150^{\circ}\text{C}$
Voltage at V_{DD} power supply pins with respect to V_{SS} ^{1) 2)}	V_{DD} SR	-	-	1.65	V	upto 2.8h
		-	-	1.45	V	upto 72h
Voltage at V_{DDP3} power supply pins with respect to V_{SS}	V_{DDP3} SR	-	-	4.43	V	
Voltage at V_{DDM} , V_{EXT} , V_{FLEX} and $V_{EVR SB}$ power supply pins with respect to V_{SS}	V_{DDM} SR	-	-	6.75	V	upto 2.8h
		-	-	5.6	V	upto 72h
Voltage on all analog and class S input pins with respect to V_{SS} ³⁾	V_{IN} SR	-0.7	-	6.75	V	
Voltage on all other input pins with respect to V_{SS} ³⁾	V_{IN} SR	-0.7	-	6.75	V	
Input current on any pin during overload condition ^{4) 5)}	I_{IN} SR	-10	-	10	mA	
Absolute maximum sum of all input circuit currents during overload condition. ⁴⁾	ΣI_{IN} SR	-100	-	100	mA	

- 1) Valid for cumulated for up to 2.8h and pulse forms followed a power supply switch on phase, where the rise and fall times are related to the system capacities and coils.
- 2) Due to EVRC output voltage oscillation during switch off phase V_{DD} can drop down to -0.72V. For V_{DD} an input level down to -0.72V during switch off phase will not cause any damage or reliability problem.
- 3) Voltages below V_{INmin} have no impact to the device reliability as long as the times and currents defined in section Pin Reliability in Overload for the affected pad(s) are not violated.
- 4) This parameter is an Absolute Maximum Rating. Exposure to Absolute Maximum Ratings for extended periods of time may damage the device.
- 5) The specified min. and max. values represent the current limits, which have to be maintained, in case of a short circuit condition on the output of any Fast, RFast, Slow and Class S pad, not being used during operation. This covers also output currents due to switching in operation for $C_L=200\text{pF}$.

3.3 Pin Reliability in Overload

When receiving signals from higher voltage devices, low-voltage devices experience overload currents and voltages that go beyond their own IO power supplies specification.

The following table defines overload conditions that will not cause any negative reliability impact if all the following conditions are met:

- allowed time interval (defined in Note column) for overload condition is not exceeded. If no time limit is defined the allowed time includes both 'Operation Lifetime hours' and 'Inactive Lifetime hours'. The number of hours in [Table 3-77](#) and [Table 3-78](#) are examples only and the applicable numbers are defined by the customer profiles accepted by Infineon.
- **Operating Conditions** are met for
 - pad supply levels
 - temperature

If a pin current is out of the **Operating Conditions** but within the overload parameters, then the parameters functionality of this pin as stated in the Operating Conditions can no longer be guaranteed. Operation is still possible in most cases but with relaxed parameters.

Table 3-2 Overload Parameters

Parameter	Symbol	Values			Unit	Note / Test Condition
		Min.	Typ.	Max.		
Input current on any digital pin during overload condition	I_{IN}	-5	-	5	mA	except LVDS pins
		-15 ¹⁾	-	15 ¹⁾	mA	except LVDS pins; limited to max. 20 pulses with 1ms pulse length
Input current on LVDS pin during overload condition	I_{INLVDS}	-3	-	3	mA	
Input current on analog input pin during overload condition	I_{INANA}	-3	-	3	mA	
		-5	-	5	mA	limited to 60h over lifetime
Absolute sum of all analog input currents for analog inputs during overload condition	I_{INSA}	-20	-	20	mA	
Absolute maximum sum of all input circuit currents during overload condition (digital and analog combined)	ΣI_{INS}	-100	-	100	mA	
Signal voltage over/undershoot at GPIOs	V_{OUS}	$V_{SS} - 2$	-	$V_{EXT/FLEX} + 2$	V	limited to 60h over lifetime; Valid for non LVDS and analog pads
Sum of all inactive device pin currents	I_{IDS}	-100	-	100	mA	
Static pin output current	$I_{OUT\ CC}$	-	-	2.5	mA	100% duty cycle; output driver = medium
		-	-	5	mA	100% duty cycle; output driver = strong

Electrical Specification Pin Reliability in Overload
Table 3-2 Overload Parameters (cont'd)

Parameter	Symbol	Values			Unit	Note / Test Condition
		Min.	Typ.	Max.		
Overload coupling factor for digital inputs, negative	K_{OVDN} CC	-	-	$3 \cdot 10^{-4}$		Overload injected on GPIO non LVDS pad and affecting neighbor fast pads; $-5\text{mA} < I_{IN} < 0\text{mA}$
		-	-	$2 \cdot 10^{-3}$		Overload injected on GPIO non LVDS pad and affecting neighbor slow pads VGASTE1N and VGATE1P; $-5\text{mA} < I_{IN} < 0\text{mA}$
		-	-	$1 \cdot 10^{-4}$		Overload injected on GPIO non LVDS pad and affecting neighbor slow pads; $-5\text{mA} < I_{IN} < 0\text{mA}$
		-	-	0.8		Overload injected on LVDS RX pad and affecting neighbor LVDS pads
		-	-	0.5		Overload injected on LVDS TX pad and affecting neighbor LVDS pads
Overload coupling factor for digital inputs, positive	K_{OVDP} CC	-	-	$1.5 \cdot 10^{-3}$		Overload injected on GPIO non LVDS pad and affecting neighbor GPIO non LVDS pads
		-	-	1		Overload injected on LVDS RX pad and affecting neighbor LVDS pads
		-	-	$5 \cdot 10^{-3}$		Overload injected on LVDS TX pad and affecting neighbor LVDS pads
Overload coupling factor for analog inputs, negative ²⁾	K_{OVAN} CC	-	-	$1 \cdot 10^{-4}$		Analog inputs overlaid with slow pads or pull down diagnostics; $-5\text{mA} < I_{IN} < 0\text{mA}$
		-	-	$1 \cdot 10^{-5}$		else; $-5\text{mA} < I_{IN} < 0\text{mA}$

Electrical Specification Pin Reliability in Overload

Table 3-2 Overload Parameters (cont'd)

Parameter	Symbol	Values			Unit	Note / Test Condition
		Min.	Typ.	Max.		
Overload coupling factor for analog inputs, positive ²⁾	$K_{OVAP\ CC}$	-	-	$2 \cdot 10^{-4}$		Analoge inputs overlaid with slow pads or pull down diagnostics; $0\text{mA} < I_{IN} < 5\text{mA}$
		-	-	$2 \cdot 10^{-5}$		else; $0\text{mA} < I_{IN} < 5\text{mA}$

- 1) Reduced VADC / DSADC result accuracy and / or GPIO input levels (V_{IL} and V_{IH}) can differ from specified parameters.
- 2) Overload coupling on analog inputs is caused by parasitic effects between pads, input multiplexers and surrounding structures. The given parameters have been verified for all permutations of channels. Also watch multiple connections of a pin to several channels.

3.4 Operating Conditions

The following operating conditions must not be exceeded in order to ensure correct operation and reliability of the TC39x. All parameters specified in the following tables refer to these operating conditions, unless otherwise noticed.

Digital supply voltages applied to the TC39x must be static regulated voltages.

All parameters specified in the following tables refer to these operating conditions (see table below), unless otherwise noticed in the Note / Test Condition column.

Table 3-3 Operating Conditions

Parameter	Symbol	Values			Unit	Note / Test Condition
		Min.	Typ.	Max.		
SRI frequency	f_{SRI} SR	-	-	300	MHz	
CPU Frequency (All CPUs)	f_{CPUx} SR	-	-	300	MHz	
PLL0 output frequency	f_{PLL0} SR	20	-	300	MHz	
SPB frequency	f_{SPB} SR	-	-	100	MHz	
FSI2 frequency	f_{FSI2} SR	-	-	300	MHz	
FSI frequency	f_{FSI} SR	20	-	100	MHz	
GTM frequency	f_{GTM} SR	-	-	200	MHz	
STM frequency	f_{STM} SR	-	-	100	MHz	
ERAY frequency	f_{ERAY} SR	-	80	-	MHz	
BBB frequency	f_{BBB} SR	-	-	150	MHz	
VADC frequency	f_{ADC} SR	-	-	160	MHz	
ASCLIN Operating Frequency	$f_{ASCLINx}$ SR	-	-	200	MHz	
CAN frequency	f_{CAN} SR	-	-	80	MHz	
EBU operating frequency	f_{EBU} SR	-	-	160	MHz	
I2C frequency	f_{I2C} SR	-	-	100	MHz	
Operating MSC Frequency	f_{MSC} SR	-	-	200	MHz	
PLL1 output frequency from PER PLL	f_{PLL1} SR	20	-	320	MHz	
PLL2 output frequency from PER PLL	f_{PLL2} SR	20	-	200	MHz	
QSPI Frequency	f_{QSPI} SR	-	-	200	MHz	
ADAS clock frequency	f_{ADAS} CC	200	-	300	MHz	
MCANH frequency	f_{MCANH} CC	-	-	100	MHz	
GETH frequency	f_{GETH} CC	100	-	150	MHz	
Ambient Temperature	T_A SR	-40	-	125	°C	valid for all SAK products
		-40	-	150	°C	valid for all SAL products with package

Electrical Specification Operating Conditions
Table 3-3 Operating Conditions (cont'd)

Parameter	Symbol	Values			Unit	Note / Test Condition
		Min.	Typ.	Max.		
Junction Temperature	T_J SR	-40	-	150	°C	valid for all SAK products
		-40	-	170	°C	valid for all SAL products
Core Supply Voltage	V_{DD} SR	1.125 ¹⁾	1.25	1.375 ²⁾	V	
ADC analog supply voltage	V_{DDM} SR	2.97	5.0	5.5 ³⁾	V	
Digital external supply voltage for pads and EVR	V_{EXT} SR	4.5	5.0	5.5 ³⁾	V	Nominal 5V Pad / Port Pin supply range. 5V pad parameters are valid.
		2.97	3.3	3.63	V	Nominal 3.3V Pad / Port Pin supply range with VDDP3 supplied externally and EVR33 inactive. 3.3V pad parameters are valid.
		3.6	-	4.5	V	Flash configured in cranking mode; Flash read operation with reduced performance. EVR33 active in low voltage mode. 3.3V pad parameters are valid.
		2.97	-	3.6	V	Incase EVR33 is active, Flash configured in sleep mode and execution switched to RAM. 3.3V pad parameters are valid.
Digital supply voltage for EBU	V_{EBU} CC	2.97	3.3	3.63	V	3.3V pad parameters are valid
		4.5	5	5.5	V	5V pad parameters are valid
Digital supply voltage for Flex port	V_{FLEX} SR	2.97	-	4.0	V	3.3V pad parameters are valid
		4.5	5.0	5.5 ³⁾	V	5V pad parameters are valid
Digital supply voltage for Flash	V_{DDP3} SR	2.97	3.3	3.63 ⁴⁾	V	
		2.6	-	3.63	V	Flash configured in cranking mode; Flash read operation with reduced performance.
Digital ground voltage	V_{SS} SR	0	-	-	V	

Table 3-3 Operating Conditions (cont'd)

Parameter	Symbol	Values			Unit	Note / Test Condition
		Min.	Typ.	Max.		
Analog ground voltage for V_{DDM}	V_{SSM} CC	-0.1	0	0.1	V	
Digital external supply voltage for EVR and during Standby mode	$V_{EVR SB}$ SR	2.97 ⁵⁾	-	5.5	V	
Voltage to ensure defined pad states	V_{DDPPA} CC	1.3 ⁶⁾	-	-	V	

- 1) For V_{DD} $1.08V \leq V_{DD} < 1.125V$ operation is still possible but with relaxed parameters.
- 2) Voltage overshoot to 1.69V is permissible, provided the duration is less than 2h cumulated. Reduced ADC accuracy and leakage is increased.
- 3) Voltage overshoot to 6.5V is permissible, provided the duration is less than 2h cumulated. Reduced ADC accuracy and leakage is increased.
- 4) Voltage overshoot to 4.29V is permissible, provided the duration is less than 2h cumulated. Reduced ADC accuracy and leakage is increased.
- 5) $V_{EVR SB}$ supply voltage can drop down upto 2.6V during Standby mode. It is required to have a capictor of 100nF on $V_{EVR SB}$ supply pin.
- 6) HWCFG[6] pin is latched and pull-up or tristate is activated at Port pins when VEXT has reached this level.

Limitation of Supply Voltage over Time

The maximum operation voltage for $V_{EXT/FLEX/DDM}$ supply rails is limited over the complete lifetime.

The following voltage profile is an example. Application specific voltage profiles need to be aligned and approved by Infineon Technologies for the fulfillment of quality and reliability targets.

Table 3-4 Example Voltage Profile

$V_{EXT/FLEX/DDM}$	Duration [h]
$5.4 V < V_{EXT/FLEX/DDM} \leq 5.5 V$	$\leq 5\%$ of lifetime
$5.15 V < V_{EXT/FLEX/DDM} \leq 5.4 V$	$\leq 15\%$ of lifetime
$4.85 V < V_{EXT/FLEX/DDM} \leq 5.15 V$	$\leq 60\%$ of lifetime
$4.6 V < V_{EXT/FLEX/DDM} \leq 4.85 V$	$\leq 15\%$ of lifetime
$4.5 V < V_{EXT/FLEX/DDM} \leq 4.6 V$	$\leq 5\%$ of lifetime

The maximum operation voltage for V_{DD} supply rails is limited over the complete lifetime.

The following voltage profile is an example. Application specific voltage profiles need to be aligned and approved by Infineon Technologies for the fulfillment of quality and reliability targets.

Table 3-5 Example Voltage Profile

V_{DD}	Duration [h]
$1.325 V < V_{DD} \leq 1.375 V$	$\leq 5\%$ of lifetime
$1.275 V < V_{DD} \leq 1.325 V$	$\leq 15\%$ of lifetime
$1.225 V < V_{DD} \leq 1.275 V$	$\leq 60\%$ of lifetime
$1.175 V < V_{DD} \leq 1.225 V$	$\leq 15\%$ of lifetime
$1.125 V < V_{DD} \leq 1.175 V$	$\leq 5\%$ of lifetime

3.5 5 V / 3.3 V switchable Pads

Pad classes slow GPIO and fast GPIO support both Automotive Level (AL) or TTL level (TTL) operation. Parameters are defined for AL operation and degrade in TTL operation.

Table 3-6 $\overline{\text{PORST}}$ Pad

Parameter	Symbol	Values			Unit	Note / Test Condition
		Min.	Typ.	Max.		
$\overline{\text{PORST}}$ pad Output current	I_{PORST} CC	13	-	-	mA	$V_{\text{EXT}} = 2.97\text{V}$; $V_{\text{PORST}} = 0.9\text{V}$
Spike filter always blocked pulse duration	t_{SF1} CC	-	-	80	ns	
Spike filter pass-through blocked pulse duration	t_{SF2} CC	260	-	-	ns	without additional $\overline{\text{PORST}}$ Digital Filter active ($\text{PORSTDF} = 0$).
Input hysteresis ¹⁾	HYS CC	$0.055 * V_{\text{EXT}}$	-	-	V	non of the neighbor pads are used as output; TTL (degraded, used for CIF)
Pull-down current ²⁾	I_{PDL} CC	-	-	130	μA	V_{IH} ; TTL (degraded, used for CIF)
		15	-	-	μA	V_{IL} ; TTL (degraded, used for CIF)
Input leakage current	I_{OZ} CC	-450	-	450	nA	$T_{\text{J}} \leq 150^{\circ}\text{C}$; $(0.1 * V_{\text{EXT}}) < V_{\text{IN}} < (0.9 * V_{\text{EXT}})$
		-500	-	500	nA	$T_{\text{J}} \leq 150^{\circ}\text{C}$; else
		-900	-	900	nA	$T_{\text{J}} \leq 170^{\circ}\text{C}$; $(0.1 * V_{\text{EXT}}) < V_{\text{IN}} < (0.9 * V_{\text{EXT}})$
		-950	-	950	nA	$T_{\text{J}} \leq 170^{\circ}\text{C}$; else
Input high voltage level	V_{IH} SR	1.4	-	-	V	TTL (degraded, used for CIF); $V_{\text{EXT}} = 2.97\text{V}$
		2.0	-	-	V	TTL; $V_{\text{EXT}} = 4.5\text{V}$
Input low voltage level	V_{IL} SR	-	-	0.5	V	TTL (degraded, used for CIF); $V_{\text{EXT}} = 2.97\text{V}$
		-	-	0.8	V	TTL; $V_{\text{EXT}} = 4.5\text{V}$
Pin capacitance	C_{IO} CC	-	2	3	pF	in addition 2.5pF from package to be added

1) Hysteresis is implemented to avoid metastable states and switching due to internal ground bounce. It can't be guaranteed that it suppresses switching due to external system noise.

2) Values for Pull-down resistor is defined via parameter R_{MDD} in table VADC 5V.

Electrical Specification 5 V / 3.3 V switchable Pads
Table 3-7 Fast 5V GPIO

Parameter	Symbol	Values			Unit	Note / Test Condition
		Min.	Typ.	Max.		
On-Resistance of pad output	R_{DSON} CC	125	225	320	Ohm	medium driver; $I_{OH/OL} = 2\text{mA}$
		31	55	80	Ohm	strong driver; $I_{OH/OL} = 8\text{mA}$
Rise / Fall time ^{1) 2)}	t_{RF} CC	1.6	-	3.2	ns	$C_L = 25\text{pF}$; driver = strong sharp edge; from 0.2 * $V_{EXT/FLEX/EVRSB}$ to 0.8 * $V_{EXT/FLEX/EVRSB}$
		$4+0.55 \cdot C_L$	$4+0.75 \cdot C_L$	$12+1.0 \cdot C_L$	ns	driver = medium; $C_L \leq 200\text{pF}$
		$1.0+0.18 \cdot C_L$	$2.5+0.27 \cdot C_L$	$5.0+0.35 \cdot C_L$	ns	driver = strong edge = medium; $C_L \leq 200\text{pF}$
		$0.5+0.08 \cdot C_L$	$0.5+0.11 \cdot C_L$	$1.0+0.17 \cdot C_L$	ns	driver = strong edge = sharp ; $C_L \leq 200\text{pF}$
Asymmetry of sending	t_{TX_ASYM} CC	-1	-	1	ns	valid for all data rates excluding clock tolerance
Input frequency	f_{IN} CC	-	-	160	MHz	
Input hysteresis ³⁾	HYS CC	0.09 * $V_{EXT/FLEX/EVRSB}$	-	-	V	non of the neighbor pads are used as output; AL
		0.075 * $V_{EXT/FLEX/EVRSB}$	-	-	V	non of the neighbor pads are used as output; TTL
		75	-	-	mV	two of the neighbor pads are used as output with driver=strong and edge=sharp; AL
Pull-up current ⁴⁾	I_{PUH} CC	30	-	-	μA	V_{IH} ; AL or TTL
		-	-	130	μA	V_{IL} ; AL or TTL
Pull-down current ⁵⁾	I_{PDL} CC	-	-	130	μA	V_{IH} ; AL or TTL
		30	-	-	μA	V_{IL} ; AL
		28	-	-	μA	V_{IL} ; TTL

Electrical Specification 5 V / 3.3 V switchable Pads
Table 3-7 Fast 5V GPIO (cont'd)

Parameter	Symbol	Values			Unit	Note / Test Condition
		Min.	Typ.	Max.		
Input leakage current	I_{OZ} CC	-1100	-	1100	nA	$T_J \leq 150^\circ\text{C}$; (0.1 * $V_{EXT/FLEX/EVRSB}$) < V_{IN} < (0.9 * $V_{EXT/FLEX/EVRSB}$)
		-2500	-	2500	nA	$T_J \leq 150^\circ\text{C}$; (0.1 * $V_{EXT/FLEX}$) < V_{IN} < (0.9 * $V_{EXT/FLEX}$) ; LVDS_TX / Fast pad type
		-6000	-	6000	nA	$T_J \leq 150^\circ\text{C}$; LVDS_RX / Fast pad type ; else
		-3200	-	3200	nA	$T_J \leq 150^\circ\text{C}$; LVDS_TX / Fast pad type ; else
		-1500	-	1500	nA	$T_J \leq 150^\circ\text{C}$; else
		-2000	-	2000	nA	$T_J \leq 170^\circ\text{C}$; (0.1 * $V_{EXT/FLEX/EVRSB}$) < V_{IN} < (0.9 * $V_{EXT/FLEX/EVRSB}$)
		-4000	-	4000	nA	$T_J \leq 170^\circ\text{C}$; (0.1 * $V_{EXT/FLEX}$) < V_{IN} < (0.9 * $V_{EXT/FLEX}$) ; LVDS_TX / Fast pad type
		-13500	-	13500	nA	$T_J \leq 170^\circ\text{C}$; LVDS_RX / Fast pad type ; else
		-5100	-	5100	nA	$T_J \leq 170^\circ\text{C}$; LVDS_TX / Fast pad type ; else
		-2500	-	2500	nA	$T_J \leq 170^\circ\text{C}$; else
Input high voltage level	V_{IH} SR	0.7 * $V_{EXT/FLEX/EVRSB}$	-	-	V	AL
		2.0	-	-	V	TTL
Input low voltage level	V_{IL} SR	-	-	0.44 * $V_{EXT/FLEX/EVRSB}$	V	AL
		-	-	0.8	V	TTL
Input low threshold variation	V_{ILD} SR	-50	-	50	mV	max. variation of 1ms; $V_{EXT/FLEX/EVRSB}$ = constant; AL
Pin capacitance	C_{IO} CC	-	2	3	pF	in addition 2.5pF from package to be added
Pad set-up time to get an software update of the configuration active	t_{SET} CC	-	-	100	ns	

1) In the formulas the value of C_L needs to be entered in pF to obtain results in ns.

2) Rise / fall times are defined 10% - 90% of pad supply voltage.

Electrical Specification 5 V / 3.3 V switchable Pads

- 3) Hysteresis is implemented to avoid metastable states and switching due to internal ground bounce. It can't be guaranteed that it suppresses switching due to external system noise.
- 4) Values for Pull-up resistor is defined via parameter R_{MDU} in table VADC 5V.
- 5) Values for Pull-down resistor is defined via parameter R_{MDD} in table VADC 5V.

Table 3-8 Fast 3.3V GPIO

Parameter	Symbol	Values			Unit	Note / Test Condition
		Min.	Typ.	Max.		
On-Resistance of pad output	$R_{DSON\ CC}$	125	225	320	Ohm	medium driver; $I_{OH/OL} = 2mA$
		31	55	80	Ohm	strong driver; $I_{OH/OL} = 8mA$
Rise / Fall time ^{1) 2)}	$t_{RF\ CC}$	1.6	-	4.5	ns	$C_L = 25pF$; driver = strong sharp edge; from 0.2 * $V_{EXT/FLEX/EVRSB}$ to 0.8 * $V_{EXT/FLEX/EVRSB}$
		-	-	5	ns	$C_L = 25pF$; driver = strong sharp edge; from 0.8V to 2.0V (RMII)
		$2+0.57*C_L$	$5.5+0.75*C_L$	$10+1.25*C_L$	ns	driver = medium; $C_L \leq 200pF$
		$1.5+0.18*C_L$	$1.5+0.28*C_L$	$8+0.4*C_L$	ns	driver = strong edge = medium; $C_L \leq 200pF$
		$0.75+0.08*C_L$	$0.75+0.11*C_L$	$2.5+0.21*C_L$	ns	driver = strong edge = sharp ; $C_L \leq 200pF$
Asymmetry of sending	$t_{TX_ASYM\ CC}$	-1	-	1	ns	valid for all data rates excluding clock tolerance
Input frequency	$f_{IN\ CC}$	-	-	160	MHz	
Input hysteresis ³⁾	$HYS\ CC$	0.055 * $V_{EXT/FLEX/EVRSB}$	-	-	V	non of the neighbor pads are used as output; AL
		0.09 * $V_{EXT/FLEX/EVRSB}$	-	-	V	non of the neighbor pads are used as output; TTL
		0.055 * $V_{EXT/FLEX/EVRSB}$	-	-	V	non of the neighbor pads are used as output;TTL (degraded, used for CIF)
		125	-	-	mV	two of the neighbor pads are used as output with driver=strong and edge=sharp; AL

Electrical Specification 5 V / 3.3 V switchable Pads
Table 3-8 Fast 3.3V GPIO (cont'd)

Parameter	Symbol	Values			Unit	Note / Test Condition
		Min.	Typ.	Max.		
Pull-up current ⁴⁾	I_{PUH} CC	17	-	-	μA	V_{IH} ; AL and TTL (degraded, used for CIF)
		11	-	-	μA	V_{IH} ; TTL
		-	-	80	μA	V_{IL} ; AL and TTL and TTL (degraded, used for CIF)
Pull-down current ⁵⁾	I_{PDL} CC	-	-	105	μA	V_{IH} ; AL and TTL (degraded, used for CIF)
		-	-	115	μA	V_{IH} ; TTL
		19	-	-	μA	V_{IL} ; AL and TTL
		15	-	-	μA	V_{IL} ; TTL (degraded, used for CIF)
Input leakage current	I_{OZ} CC	-1100	-	1100	nA	$T_J \leq 150^\circ\text{C}$; (0.1 * $V_{EXT/FLEX/EVRSB}$) < V_{IN} < (0.9 * $V_{EXT/FLEX/EVRSB}$)
		-2500	-	2500	nA	$T_J \leq 150^\circ\text{C}$; (0.1 * $V_{EXT/FLEX}$) < V_{IN} < (0.9 * $V_{EXT/FLEX}$) ; LVDS_TX / Fast pad type
		-6000	-	6000	nA	$T_J \leq 150^\circ\text{C}$; LVDS_RX / Fast pad type ; else
		-3200	-	3200	nA	$T_J \leq 150^\circ\text{C}$; LVDS_TX / Fast pad type ; else
		-1500	-	1500	nA	$T_J \leq 150^\circ\text{C}$; else
		-2000	-	2000	nA	$T_J \leq 170^\circ\text{C}$; (0.1 * $V_{EXT/FLEX/EVRSB}$) < V_{IN} < (0.9 * $V_{EXT/FLEX/EVRSB}$)
		-4000	-	4000	nA	$T_J \leq 170^\circ\text{C}$; (0.1 * $V_{EXT/FLEX}$) < V_{IN} < (0.9 * $V_{EXT/FLEX}$) ; LVDS_TX / Fast pad type
		-13500	-	13500	nA	$T_J \leq 170^\circ\text{C}$; LVDS_RX / Fast pad type ; else
		-5100	-	5100	nA	$T_J \leq 170^\circ\text{C}$; LVDS_TX / Fast pad type ; else
-2500	-	2500	nA	$T_J \leq 170^\circ\text{C}$; else		

Electrical Specification 5 V / 3.3 V switchable Pads
Table 3-8 Fast 3.3V GPIO (cont'd)

Parameter	Symbol	Values			Unit	Note / Test Condition
		Min.	Typ.	Max.		
Input high voltage level	V_{IH} SR	0.7 *	-	-	V	AL
		$V_{EXT/FLEX/E}$ V_{RSB}	-	-	V	TTL
		2.0	-	-	V	TTL (degraded, used for CIF)
Input low voltage level	V_{IL} SR	-	-	0.42 *	V	AL
		-	-	$V_{EXT/FLEX/E}$ V_{RSB}	V	TTL
		-	-	0.8	V	TTL (degraded, used for CIF)
Input low/high voltage level	V_{ILH} SR	1.0	-	1.9	V	RGMII; no hysteresis available
Input low threshold variation	V_{ILD} SR	-33	-	33	mV	max. variation of 1ms; $V_{EXT/FLEX/EVRSB} =$ constant; AL
Pin capacitance	C_{IO} CC	-	2	3	pF	in addition 2.5pF from package to be added
Pad set-up time to get an software update of the configuration active	t_{SET} CC	-	-	100	ns	

- 1) In the formulas the value of C_L needs to be entered in pF to obtain results in ns.
- 2) Rise / fall times are defined 10% - 90% of pad supply voltage.
- 3) Hysteresis is implemented to avoid metastable states and switching due to internal ground bounce. It can't be guaranteed that it suppresses switching due to external system noise.
- 4) Values for Pull-up resistor is defined via parameter R_{MDU} in table VADC 5V.
- 5) Values for Pull-down resistor is defined via parameter R_{MDD} in table VADC 5V.

Table 3-9 Slow 5V GPIO

Parameter	Symbol	Values			Unit	Note / Test Condition
		Min.	Typ.	Max.		
On-Resistance of pad output	R_{DSON} CC	125	225	320	Ohm	medium driver; $I_{OH/OL} = 2mA$
Rise / Fall time ^{1) 2)}	t_{RF} CC	$4+0.55*C_L$	$4+0.75*C_L$	$12+1*C_L$	ns	driver = medium edge = medium ; $C_L \leq 200pF$
		$1.5+0.25*C_L$	$2.5+0.40*C_L$	$7+0.55*C_L$	ns	driver = medium edge = sharp ; $C_L \leq 200pF$
Asymmetry of sending	t_{TX_ASYM} CC	-1	-	1	ns	valid for all data rates excluding clock tolerance
Input frequency	f_{IN} CC	-	-	160	MHz	

Electrical Specification 5 V / 3.3 V switchable Pads
Table 3-9 Slow 5V GPIO (cont'd)

Parameter	Symbol	Values			Unit	Note / Test Condition
		Min.	Typ.	Max.		
Input hysteresis ³⁾	I_{HYS} CC	0.09 * $V_{EXT/FLEX/E}$ VRSB	-	-	V	non of the neighbor pads are used as output; AL
		0.075 * $V_{EXT/FLEX/E}$ VRSB	-	-	V	non of the neighbor pads are used as output; TTL
		75	-	-	mV	two of the neighbor pads are used as output with driver=strong and edge=sharp; AL
Pull-up current ⁴⁾	I_{PUH} CC	30	-	-	μ A	V_{IH} ; AL or TTL; except VGATE1P; except VGATE1N and $T_J > 150^\circ\text{C}$
		-	-	130	μ A	V_{IL} ; AL or TTL; except VGATE1P; except VGATE1N and $T_J > 150^\circ\text{C}$
Pull-down current ⁵⁾	I_{PDL} CC	-	-	130	μ A	V_{IH} ; AL or TTL
		30	-	-	μ A	V_{IL} ; AL
		28	-	-	μ A	V_{IL} ; TTL
Input leakage current	I_{OZ} CC	-300	-	300	nA	$T_J \leq 150^\circ\text{C}$; $(0.1 * V_{EXT/FLEX/EVRSB}) < V_{IN} < (0.9 * V_{EXT/FLEX/EVRSB})$
		-400	-	400	nA	$T_J \leq 150^\circ\text{C}$; else
		-600	-	600	nA	$T_J \leq 170^\circ\text{C}$; $(0.1 * V_{EXT/FLEX/EVRSB}) < V_{IN} < (0.9 * V_{EXT/FLEX/EVRSB})$
		-750	-	750	nA	$T_J \leq 170^\circ\text{C}$; else
		-18000	-	18000	nA	P32.0 and P32.1; $T_J \leq 150^\circ\text{C}$
		-38000	-	38000	nA	P32.0 and P32.1; $T_J \leq 170^\circ\text{C}$
Input high voltage level	V_{IH} SR	0.7 * $V_{EXT/FLEX/E}$ VRSB	-	-	V	AL
		2.0	-	-	V	TTL
Input low voltage level	V_{IL} SR	-	-	0.44 * $V_{EXT/FLEX/E}$ VRSB	V	AL
		-	-	0.8	V	TTL

Electrical Specification 5 V / 3.3 V switchable Pads
Table 3-9 Slow 5V GPIO (cont'd)

Parameter	Symbol	Values			Unit	Note / Test Condition
		Min.	Typ.	Max.		
Input low threshold variation	V_{ILD} SR	-50	-	50	mV	max. variation of 1ms; $V_{EXT/FLEX/EVRSB} =$ constant; AL
Pin capacitance	C_{IO} CC	-	2	3	pF	in addition 2.5pF from package to be added
Pad set-up time to get an software update of the configuration active	t_{SET} CC	-	-	100	ns	

- 1) In the formulas the value of C_L needs to be entered in pF to obtain results in ns.
- 2) Rise / fall times are defined 10% - 90% of pad supply voltage.
- 3) Hysteresis is implemented to avoid metastable states and switching due to internal ground bounce. It can't be guaranteed that it suppresses switching due to external system noise.
- 4) Values for Pull-up resistor is defined via parameter R_{MDU} in table VADC 5V.
- 5) Values for Pull-down resistor is defined via parameter R_{MDD} in table VADC 5V.

Table 3-10 Slow 3.3V GPIO

Parameter	Symbol	Values			Unit	Note / Test Condition
		Min.	Typ.	Max.		
On-Resistance of pad output	R_{DSON} CC	125	225	320	Ohm	medium driver; $I_{OH/OL} =$ 2mA
Rise / Fall time ^{1) 2)}	t_{RF} CC	$2+0.57 \cdot C_L$	$5.5+0.75 \cdot C_L$	$10+1.25 \cdot C_L$	ns	driver = medium edge = medium ; $C_L \leq 200$ pF
		$2+0.30 \cdot C_L$	$3.5+0.50 \cdot C_L$	$5+0.70 \cdot C_L$	ns	driver = medium edge = sharp ; $C_L \leq 200$ pF
Asymmetry of sending	t_{TX_ASYM} CC	-1	-	1	ns	valid for all data rates excluding clock tolerance
Input frequency	f_{IN} CC	-	-	160	MHz	
Input hysteresis ³⁾	HYS CC	$0.055 \cdot V_{EXT/FLEX/EVRSB}$	-	-	V	non of the neighbor pads are used as output; AL
		$0.09 \cdot V_{EXT/FLEX/EVRSB}$	-	-	V	non of the neighbor pads are used as output; TTL
		$0.055 \cdot V_{EXT/FLEX/EVRSB}$	-	-	V	non of the neighbor pads are used as output;TTL (degraded, used for CIF)
		125	-	-	mV	two of the neighbor pads are used as output with driver=strong and edge=sharp; AL

Electrical Specification 5 V / 3.3 V switchable Pads
Table 3-10 Slow 3.3V GPIO (cont'd)

Parameter	Symbol	Values			Unit	Note / Test Condition
		Min.	Typ.	Max.		
Pull-up current ⁴⁾	I_{PUH} CC	17	-	-	μ A	V_{IH} ; AL and TTL (degraded, used for CIF); except VGATE1P; except VGATE1N and $T_J > 150^\circ\text{C}$
		11	-	-	μ A	V_{IH} ; TTL; except VGATE1P; except VGATE1N and $T_J > 150^\circ\text{C}$
		-	-	80	μ A	V_{IL} ; AL and TTL and TTL (degraded, used for CIF); except VGATE1P; except VGATE1N and $T_J > 150^\circ\text{C}$
Pull-down current ⁵⁾	I_{PDL} CC	-	-	105	μ A	V_{IH} ; AL and TTL (degraded, used for CIF)
		-	-	115	μ A	V_{IH} ; TTL
		19	-	-	μ A	V_{IL} ; AL and TTL
		15	-	-	μ A	V_{IL} ; TTL (degraded, used for CIF)
Input leakage current	I_{OZ} CC	-300	-	300	nA	$T_J \leq 150^\circ\text{C}$; ($0.1 * V_{EXT/FLEX/EVRSB} < V_{IN} < (0.9 * V_{EXT/FLEX/EVRSB})$)
		-400	-	400	nA	$T_J \leq 150^\circ\text{C}$; else
		-600	-	600	nA	$T_J \leq 170^\circ\text{C}$; ($0.1 * V_{EXT/FLEX/EVRSB} < V_{IN} < (0.9 * V_{EXT/FLEX/EVRSB})$)
		-750	-	750	nA	$T_J \leq 170^\circ\text{C}$; else
		-18000	-	18000	nA	P32.0 and P32.1; $T_J \leq 150^\circ\text{C}$
		-38000	-	38000	nA	P32.0 and P32.1; $T_J \leq 170^\circ\text{C}$
Input high voltage level	V_{IH} SR	$0.7 * V_{EXT/FLEX/EVRSB}$	-	-	V	AL
		2.0	-	-	V	TTL
		1.4	-	-	V	TTL (degraded, used for CIF)

Electrical Specification 5 V / 3.3 V switchable Pads
Table 3-10 Slow 3.3V GPIO (cont'd)

Parameter	Symbol	Values			Unit	Note / Test Condition
		Min.	Typ.	Max.		
Input low voltage level	V_{IL} SR	-	-	0.42 * $V_{EXT/FLEX/EVRSB}$	V	AL
		-	-	0.8	V	TTL
		-	-	0.5	V	TTL (degraded, used for CIF)
Input low/high voltage level	V_{ILH} SR	1.0	-	1.9	V	RGMII; no hysteresis available
Input low threshold variation	V_{ILD} SR	-33	-	33	mV	max. variation of 1ms; $V_{EXT/FLEX/EVRSB} =$ constant; AL
Pin capacitance	C_{IO} CC	-	2	3	pF	in addition 2.5pF from package to be added
Pad set-up time to get an software update of the configuration active	t_{SET} CC	-	-	100	ns	

- 1) In the formulas the value of C_L needs to be entered in pF to obtain results in ns.
- 2) Rise / fall times are defined 10% - 90% of pad supply voltage.
- 3) Hysteresis is implemented to avoid metastable states and switching due to internal ground bounce. It can't be guaranteed that it suppresses switching due to external system noise.
- 4) Values for Pull-up resistor is defined via parameter R_{MDU} in table VADC 5V.
- 5) Values for Pull-down resistor is defined via parameter R_{MDD} in table VADC 5V.

Table 3-11 RFast 5V GPIO

Parameter	Symbol	Values			Unit	Note / Test Condition
		Min.	Typ.	Max.		
On-Resistance of pad output	R_{DSON} CC	125	225	320	Ohm	medium driver; $I_{OH/OL} = 2mA$
		31	55	80	Ohm	strong driver; $I_{OH/OL} = 8mA$
Rise / Fall time ^{1) 2)}	t_{RF} CC	1.6	-	3.2	ns	$C_L = 25pF$; driver = strong sharp edge; from $0.2 * V_{FLEX}$ to $0.8 * V_{FLEX}$
		$4+0.55*C_L$	$4+0.75*C_L$	$12+1.0*C_L$	ns	driver = medium; $C_L \leq 200pF$
		$1.0+0.18*C_L$	$2.5+0.27*C_L$	$5.0+0.35*C_L$	ns	driver = strong edge = medium; $C_L \leq 200pF$
		$0.5+0.08*C_L$	$0.5+0.11*C_L$	$1.0+0.17*C_L$	ns	driver = strong edge = sharp ; $C_L \leq 200pF$
Asymmetry of sending	t_{TX_ASYM} CC	-0.5	-	0.5	ns	valid for all data rates excluding clock tolerance

Electrical Specification 5 V / 3.3 V switchable Pads
Table 3-11 RFast 5V GPIO (cont'd)

Parameter	Symbol	Values			Unit	Note / Test Condition
		Min.	Typ.	Max.		
Input frequency	f_{IN} CC	-	-	160	MHz	
Input hysteresis ³⁾	HYS CC	0.09 * V_{FLEX}	-	-	V	non of the neighbor pads are used as output; AL
		0.075 * V_{FLEX}	-	-	V	non of the neighbor pads are used as output; TTL
		75	-	-	mV	two of the neighbor pads are used as output with driver=strong and edge=sharp; AL
Pull-up current ⁴⁾	I_{PUH} CC	30	-	-	μ A	V_{IH} ; AL or TTL
		-	-	130	μ A	V_{IL} ; AL or TTL
Pull-down current ⁵⁾	I_{PDL} CC	-	-	130	μ A	V_{IH} ; AL or TTL
		30	-	-	μ A	V_{IL} ; AL
		28	-	-	μ A	V_{IL} ; TTL
Input leakage current	I_{OZ} CC	-1700	-	1700	nA	$T_J \leq 150^\circ\text{C}$; (0.1 * $V_{FLEX}) < V_{IN} < (0.9$ * $V_{FLEX})$
		-2100	-	2100	nA	$T_J \leq 150^\circ\text{C}$; else
		-3000	-	3000	nA	$T_J \leq 170^\circ\text{C}$; (0.1 * $V_{FLEX}) < V_{IN} < (0.9$ * $V_{FLEX})$
		-4000	-	4000	nA	$T_J \leq 170^\circ\text{C}$; else
Input high voltage level	V_{IH} SR	0.7 * V_{FLEX}	-	-	V	AL
		2.0	-	-	V	TTL
Input low voltage level	V_{IL} SR	-	-	0.44 * V_{FLEX}	V	AL
		-	-	0.8	V	TTL
Input low threshold variation	V_{ILD} SR	-50	-	50	mV	max. variation of 1ms; V_{FLEX} = constant; AL
Pin capacitance	C_{IO} CC	-	2	3.5	pF	in addition 2.5pF from package to be added
Pad set-up time to get an software update of the configuration active	t_{SET} CC	-	-	100	ns	

1) In the formulas the value of C_L needs to be entered in pF to obtain results in ns.

2) Rise / fall times are defined 10% - 90% of pad supply voltage.

3) Hysteresis is implemented to avoid metastable states and switching due to internal ground bounce. It can't be guaranteed that it suppresses switching due to external system noise.

4) Values for Pull-up resistor is defined via parameter R_{MDU} in table VADC 5V.

Electrical Specification 5 V / 3.3 V switchable Pads

5) Values for Pull-down resistor is defined via parameter R_{MDD} in table VADC 5V.

Table 3-12 RFast 3.3V pad

Parameter	Symbol	Values			Unit	Note / Test Condition
		Min.	Typ.	Max.		
On-Resistance of pad output	R_{DSON} CC	8	20	30	Ohm	Driver = RGMII; $I_{OH/OL} = 8mA$
		125	225	320	Ohm	medium driver; $I_{OH/OL} = 2mA$
		31	55	80	Ohm	strong driver; $I_{OH/OL} = 8mA$
Input Duty Cycle	f_D SR	47.5	50	52.5		
Rise / Fall time ^{1) 2)}	t_{RF} CC	1.6	-	4.5	ns	$C_L = 25pF$; driver = strong sharp edge; from $0.2 * V_{FLEX}$ to $0.8 * V_{FLEX}$
		-	-	5	ns	$C_L = 25pF$; driver = strong sharp edge; from 0.8V to 2.0V (RMII)
		-	-	1	ns	Driver = RGMII; from 20%V to 80%V; $C_L = 15pF$
		$2+0.57*C_L$	$5.5+0.75*C_L$	$10+1.25*C_L$	ns	driver = medium; $C_L \leq 200pF$
		$1.5+0.18*C_L$	$1.5+0.28*C_L$	$8+0.4*C_L$	ns	driver = strong edge = medium; $C_L \leq 200pF$
		$0.75+0.08*C_L$	$0.75+0.11*C_L$	$2.5+0.21*C_L$	ns	driver = strong edge = sharp ; $C_L \leq 200pF$
		-	-	-	ns	
Asymmetry of sending	t_{TX_ASYM} CC	-0.4	-	0.4	ns	valid for all data rates excluding clock tolerance
Input frequency	f_{IN} CC	-	-	160	MHz	

Electrical Specification 5 V / 3.3 V switchable Pads
Table 3-12 RFast 3.3V pad (cont'd)

Parameter	Symbol	Values			Unit	Note / Test Condition
		Min.	Typ.	Max.		
Input hysteresis ³⁾	HYS_{CC}	0.055 * V_{FLEX}	-	-	V	non of the neighbor pads are used as output; AL
		0.09 * V_{FLEX}	-	-	V	non of the neighbor pads are used as output; TTL
		0.055 * V_{FLEX}	-	-	V	non of the neighbor pads are used as output;TTL (degraded, used for CIF)
		125	-	-	mV	two of the neighbor pads are used as output with driver=strong and edge=sharp; AL
Pull-up current ⁴⁾	$I_{PUH_{CC}}$	17	-	-	μA	V_{IH} ; AL and TTL (degraded, used for CIF)
		11	-	-	μA	V_{IH} ; TTL
		-	-	80	μA	V_{IL} ; AL and TTL and TTL (degraded, used for CIF)
Pull-down current ⁵⁾	$I_{PDL_{CC}}$	-	-	105	μA	V_{IH} ; AL and TTL (degraded, used for CIF)
		-	-	115	μA	V_{IH} ; TTL
		19	-	-	μA	V_{IL} ; AL and TTL
		15	-	-	μA	V_{IL} ; TTL (degraded, used for CIF)
Input leakage current	$I_{OZ_{CC}}$	-1700	-	1700	nA	$T_J \leq 150^\circ C$; (0.1 * V_{FLEX}) < V_{IN} < (0.9 * V_{FLEX})
		-2100	-	2100	nA	$T_J \leq 150^\circ C$; else
		-3000	-	3000	nA	$T_J \leq 170^\circ C$; (0.1 * V_{FLEX}) < V_{IN} < (0.9 * V_{FLEX})
		-4000	-	4000	nA	$T_J \leq 170^\circ C$; else
Input high voltage level	$V_{IH_{SR}}$	0.7 * V_{FLEX}	-	-	V	AL
		2.0	-	-	V	TTL
		1.4	-	-	V	TTL (degraded, used for CIF)

Electrical Specification 5 V / 3.3 V switchable Pads
Table 3-12 RFast 3.3V pad (cont'd)

Parameter	Symbol	Values			Unit	Note / Test Condition
		Min.	Typ.	Max.		
Input low voltage level	V_{IL} SR	-	-	0.42 * V_{FLEX}	V	AL
		-	-	0.8	V	TTL
		-	-	0.5	V	TTL (degraded, used for CIF)
Input low threshold variation	V_{ILD} SR	-33	-	33	mV	max. variation of 1ms; V_{FLEX} = constant; AL
Pin capacitance	C_{IO} CC	-	2	3.5	pF	in addition 2.5pF from package to be added
Pad set-up time to get an software update of the configuration active	t_{SET} CC	-	-	100	ns	

- 1) In the formulas the value of C_L needs to be entered in pF to obtain results in ns.
- 2) Rise / fall times are defined 10% - 90% of pad supply voltage.
- 3) Hysteresis is implemented to avoid metastable states and switching due to internal ground bounce. It can't be guaranteed that it suppresses switching due to external system noise.
- 4) Values for Pull-up resistor is defined via parameter R_{MDU} in table VADC 5V.
- 5) Values for Pull-down resistor is defined via parameter R_{MDD} in table VADC 5V.

Table 3-13 Class S 5V

Parameter	Symbol	Values			Unit	Note / Test Condition
		Min.	Typ.	Max.		
Input frequency	f_{IN} CC	-	-	160	MHz	
Input hysteresis ¹⁾	HYS CC	0.09 * V_{DDM}	-	-	V	non of the neighbor pads are used as output; AL
		0.075 * V_{DDM}	-	-	V	non of the neighbor pads are used as output; TTL
		75	-	-	mV	two of the neighbor pads are used as output with driver=strong and edge=sharp; AL
Pull-up current ²⁾	I_{PUH} CC	30	-	-	μ A	V_{IH} ; AL or TTL
		-	-	130	μ A	V_{IL} ; AL or TTL
Pull-down current ³⁾	I_{PDL} CC	-	-	130	μ A	V_{IH} ; AL or TTL
		30	-	-	μ A	V_{IL} ; AL
		28	-	-	μ A	V_{IL} ; TTL

Electrical Specification 5 V / 3.3 V switchable Pads
Table 3-13 Class S 5V (cont'd)

Parameter	Symbol	Values			Unit	Note / Test Condition
		Min.	Typ.	Max.		
Input leakage current	I_{OZ} CC	-150	-	150	nA	$T_J \leq 150^\circ\text{C}$; else
		-300	-	300	nA	$T_J \leq 150^\circ\text{C}$; PDD option available, or AltRef option available and EDSADC channel connected, or two EDSADC channels connected
		-300	-	300	nA	$T_J \leq 170^\circ\text{C}$; else
		-600	-	600	nA	$T_J \leq 170^\circ\text{C}$; PDD option available, or AltRef option available and EDSADC channel connected, or two EDSADC channels connected
Input high voltage level	V_{IH} SR	$0.7 * V_{DDM}$	-	-	V	AL
		2.0	-	-	V	TTL
Input low voltage level	V_{IL} SR	-	-	$0.44 * V_{DDM}$	V	AL
		-	-	0.8	V	TTL
Input low threshold variation	V_{ILD} SR	-50	-	50	mV	max. variation of 1ms; $V_{DDM} = \text{constant}$; AL
Pin capacitance	C_{IO} CC	-	2	3	pF	in addition 2.5pF from package to be added
Pad set-up time to get an software update of the configuration active	t_{SET} CC	-	-	100	ns	

- 1) Hysteresis is implemented to avoid metastable states and switching due to internal ground bounce. It can't be guaranteed that it suppresses switching due to external system noise.
- 2) Values for Pull-up resistor is defined via parameter R_{MDU} in table VADC 5V.
- 3) Values for Pull-down resistor is defined via parameter R_{MDD} in table VADC 5V.

Table 3-14 Class S 3.3V

Parameter	Symbol	Values			Unit	Note / Test Condition
		Min.	Typ.	Max.		
Input frequency	f_{IN} CC	-	-	160	MHz	

Electrical Specification 5 V / 3.3 V switchable Pads
Table 3-14 Class S 3.3V (cont'd)

Parameter	Symbol	Values			Unit	Note / Test Condition
		Min.	Typ.	Max.		
Input hysteresis ¹⁾	<i>HYS</i> CC	0.055 * V_{DDM}	-	-	V	non of the neighbor pads are used as output; AL
		0.09 * V_{DDM}	-	-	V	non of the neighbor pads are used as output; TTL
		0.065 * V_{DDM}	-	-	V	non of the neighbor pads are used as output; TTL (degraded used for CIF)
		125	-	-	mV	two of the neighbor pads are used as output with driver=strong and edge=sharp; AL
Pull-up current ²⁾	I_{PUH} CC	17	-	-	μ A	V_{IH} ; AL and TTL (degraded, used for CIF)
		11	-	-	μ A	V_{IH} ; TTL
		-	-	80	μ A	V_{IL}
Pull-down current ³⁾	I_{PDL} CC	-	-	105	μ A	V_{IH} ; AL and TTL (degraded, used for CIF)
		-	-	115	μ A	V_{IH} ; TTL
		19	-	-	μ A	V_{IL} ; AL and TTL
		15	-	-	μ A	V_{IL} ; TTL (degraded, used for CIF)
Input leakage current	I_{OZ} CC	-150	-	150	nA	$T_J \leq 150^\circ\text{C}$; else
		-300	-	300	nA	$T_J \leq 150^\circ\text{C}$; PDD option available, or AltRef option available and EDSADC channel connected
		-300	-	300	nA	$T_J \leq 170^\circ\text{C}$; else
		-600	-	600	nA	$T_J \leq 170^\circ\text{C}$; PDD option available
Input high voltage level	V_{IH} SR	0.7 * V_{DDM}	-	-	V	AL
		2.0	-	-	V	TTL
		1.4	-	-	V	TTL (degraded, used for CIF)

Electrical Specification 5 V / 3.3 V switchable Pads
Table 3-14 Class S 3.3V (cont'd)

Parameter	Symbol	Values			Unit	Note / Test Condition
		Min.	Typ.	Max.		
Input low voltage level	V_{IL} SR	-	-	0.42 * V_{DDM}	V	AL
		-	-	0.8	V	TTL
		-	-	0.5	V	TTL (degraded, used for CIF)
Input low threshold variation	V_{ILD} SR	-33	-	33	mV	max. variation of 1ms; V_{DDM} = constant; AL
Pin capacitance	C_{IO} CC	-	2	3	pF	in addition 2.5pF from package to be added
Pad set-up time to get an software update of the configuration active	t_{SET} CC	-	-	100	ns	

- 1) Hysteresis is implemented to avoid metastable states and switching due to internal ground bounce. It can't be guaranteed that it suppresses switching due to external system noise.
- 2) Values for Pull-up resistor is defined via parameter R_{MDU} in table VADC 5V.
- 3) Values for Pull-down resistor is defined via parameter R_{MDD} in table VADC 5V.

Table 3-15 Class D

Parameter	Symbol	Values			Unit	Note / Test Condition
		Min.	Typ.	Max.		
Input leakage current	I_{OZ} CC	-150	-	150	nA	$T_J \leq 150^\circ\text{C}$; else
		-300 ¹⁾	-	300 ¹⁾	nA	$T_J \leq 150^\circ\text{C}$; PDD option available, or AltRef option available and EDSADC channel connected, or two EDSADC channels connected
		-300	-	300	nA	$T_J \leq 170^\circ\text{C}$; else
		-600 ²⁾	-	600 ²⁾	nA	$T_J \leq 170^\circ\text{C}$; PDD option available, or AltRef option available and EDSADC channel connected, or two EDSADC channels connected
Pin capacitance	C_{IO} CC	-	2	3	pF	in addition 2.5pF from package to be added

- 1) For AN11 100 nA need to be added.
- 2) For AN11 200 nA need to be added.

Table 3-16 ADC Reference Pads

Parameter	Symbol	Values			Unit	Note / Test Condition
		Min.	Typ.	Max.		
Input leakage current for V_{AREF}	I_{OZ2} CC	-2 ¹⁾	-	2 ¹⁾	μA	$T_J \leq 150^\circ\text{C}$; $V_{AREF} < V_{DDM}$; for EVADC; valid for BGA292 and BGA292 ADAS feature set
		-7 ¹⁾	-	7 ¹⁾	μA	$T_J \leq 150^\circ\text{C}$; $V_{AREF} \leq V_{DDM} + 50\text{mV}$; for EVADC; valid for BGA292 and BGA292 ADAS feature set
		-4 ¹⁾	-	4 ¹⁾	μA	$T_J \leq 170^\circ\text{C}$; $V_{AREF} < V_{DDM}$; for EVADC; valid for BGA292 and BGA292 ADAS feature set
		-14 ¹⁾	-	14 ¹⁾	μA	$T_J \leq 170^\circ\text{C}$; $V_{AREF} \leq V_{DDM} + 50\text{mV}$; for EVADC; valid for BGA292 and BGA292 ADAS feature set
		-1 ²⁾	-	1 ²⁾	μA	$T_J \leq 150^\circ\text{C}$; $V_{AREF} < V_{DDM}$; for EVADC; valid for BGA516
		-2 ²⁾	-	2 ²⁾	μA	$T_J \leq 170^\circ\text{C}$; $V_{AREF} < V_{DDM}$; for EVADC; valid for BGA516
		-3.5 ²⁾	-	3.5 ²⁾	μA	$T_J \leq 150^\circ\text{C}$; $V_{AREF} \leq V_{DDM} + 50\text{mV}$; for EVADC; valid for BGA516
		-7 ²⁾	-	7 ²⁾	μA	$T_J \leq 170^\circ\text{C}$; $V_{AREF} \leq V_{DDM} + 50\text{mV}$; for EVADC; valid for BGA516
		-2 ³⁾	-	2 ³⁾	μA	$T_J \leq 150^\circ\text{C}$; $V_{AREF} < V_{DDM}$; for EDSADC
		-4 ³⁾	-	4 ³⁾	μA	$T_J \leq 170^\circ\text{C}$; $V_{AREF} < V_{DDM}$; for EDSADC
		-6 ³⁾	-	6 ³⁾	μA	$T_J \leq 150^\circ\text{C}$; $V_{AREF} \leq V_{DDM} + 50\text{mV}$; for EDSADC
		-12 ³⁾	-	12 ³⁾	μA	$T_J \leq 170^\circ\text{C}$; $V_{AREF} \leq V_{DDM} + 50\text{mV}$; for EDSADC

- 1) Limit is valid for VAREF2 pin.
- 2) Limit is valid for VAREF2 and VAREF3 pins each.
- 3) Limit is valid for VAREF1 pin.

Table 3-17 Driver Mode Selection for Slow Pads

PDx.2	PDx.1	PDx.0	Port Functionality	Driver Setting
X	X	0	Speed grade 1	medium sharp edge (sm)
X	X	1	Speed grade 2	medium medium edge (m)

Table 3-18 Driver Mode Selection for Fast Pads

PDx.2	PDx.1	PDx.0	Port Functionality	Driver Setting
X	0	0	Speed grade 1	Strong sharp edge (ss)
X	0	1	Speed grade 2	Strong medium edge (sm)
X	1	0	Speed grade 3	medium (m)
X	1	1	Speed grade 4	Reserved, do not use this combination

Table 3-19 Driver Mode Selection for RFast Pads

PDx.2	PDx.1	PDx.0	Port Functionality	Driver Setting
X	0	0	Speed grade 1	Strong sharp edge (ss)
X	0	1	Speed grade 2	Strong medium edge (sm)
X	1	0	Speed grade 3	medium (m)
X	1	1	Speed grade 4	RGMI function is active

3.6 High performance LVDS Pads

This LVDS pad type is used for the high speed chip to chip communication interface of the new TC39x. It compose out of a LVDS pad and a fast pad.

$C_L = 2.5$ pF for all LVDS parameters.

Table 3-20 LVDS - IEEE standard LVDS general purpose link (GPL)

Parameter	Symbol	Values			Unit	Note / Test Condition
		Min.	Typ.	Max.		
Output impedance	R_0 CC	40	-	140	Ohm	$V_{cm} = 1.0$ V and 1.4 V
Rise time (20% - 80%)	t_{rise20} CC	-	-	0.75 ¹⁾	ns	$Z_L = 100$ Ohm $\pm 20\%$ @2pF external load
Fall time (20% - 80%)	t_{fall20} CC	-	-	0.75 ²⁾	ns	$Z_L = 100$ Ohm $\pm 20\%$ @2pF external load
Output differential voltage ³⁾	V_{OD} CC	240	-	330	mV	$R_T = 100$ Ohm $\pm 1\%$; LPCR _x .VDIFFADJ=00
		280	-	370	mV	$R_T = 100$ Ohm $\pm 1\%$; LPCR _x .VDIFFADJ=01
		320	-	410	mV	$R_T = 100$ Ohm $\pm 1\%$; LPCR _x .VDIFFADJ=10
		380	-	500	mV	$R_T = 100$ Ohm $\pm 1\%$; LPCR _x .VDIFFADJ=11; Multi slave operation
Output voltage high	V_{OH} CC	-	-	1475	mV	$R_T = 100$ Ohm $\pm 1\%$ VDIFFADJ=00 and 01
		-	-	1500	mV	$R_T = 100$ Ohm $\pm 1\%$ VDIFFADJ=10 and 11
Output voltage low	V_{OL} CC	925	-	-	mV	$R_T = 100$ Ohm $\pm 1\%$ VDIFFADJ=00 and 01
		900	-	-	mV	$R_T = 100$ Ohm $\pm 1\%$ VDIFFADJ=10 and 11
Output offset (Common mode) voltage	V_{OS} CC	1125	-	1275	mV	$R_T = 100$ Ohm $\pm 1\%$
Input voltage range	V_I SR	0	-	1600	mV	Driver ground potential difference < 925 mV; $R_T = 100$ Ohm $\pm 10\%$
		0	-	2400	mV	Driver ground potential difference < 925 mV; $R_T = 100$ Ohm $\pm 20\%$
Input differential threshold	V_{idth} SR	-100	-	100	mV	Driver ground potential difference < 900 mV; VDIFFADJ=10 and 11
		-100	-	100	mV	Driver ground potential difference < 925 mV; VDIFFADJ=00 and 01

Electrical Specification High performance LVDS Pads

Table 3-20 LVDS - IEEE standard LVDS general purpose link (GPL) (cont'd)

Parameter	Symbol	Values			Unit	Note / Test Condition
		Min.	Typ.	Max.		
Receiver differential input impedance	R_{in} CC	80	-	120	Ohm	$V_I \leq 2400$ mV
Output differential voltage Sleep Mode ⁴⁾	V_{ODSM} CC	-5	-	20	mV	$R_T = 100$ Ohm $\pm 20\%$; LPCRx.VDIFFADJ=xx
Delta output impedance	$dR0$ SR	-	-	10	%	$V_{cm} = 1.0$ V and 1.4 V
Change in VOS between 0 and 1	$dVOS$ CC	-	-	25	mV	$R_T = 100$ Ohm $\pm 1\%$
Change in Vod between 0 and 1	$dVod$ CC	-	-	25	mV	$R_T = 100$ Ohm $\pm 1\%$
Pad set-up time	t_{SET_LVDS} CC	-	10	13	μ s	
Duty cycle	t_{duty} CC	45	-	55	%	

1) $t_{rise20} = 0.75ns + (C_L - 2)[pF]*20ps$. C_L defines the external load.

2) $t_{fall20} = 0.75ns + (C_L - 2)[pF]*20ps$. C_L defines the external load.

3) Potential violations of the IEEE Std 1596.3 are intended for the new multislave support feature. To be compliant to IEEE Std 1596.3 LPCRx.VDIFFADJ has to be configured to 01.

4) Common Mode voltage of Tx is maintained.

Note: Driver ground potential difference is defined as driver-receiver potential difference, that can result in a voltage shift when comparing driver output voltage level and receiver input voltage level of a transmitted signal.

Note: R_T in table 'LVDS - IEEE standard LVDS general purpose Link (GPL)' is as termination resistor of the receiver according to figure 3-5 in IEEE Std 1596.3-1996 and is represent in [Figure 3-1](#) either by R_{in} or by $R_T=100Ohm$ but not both. If R_T is mentioned in column Note / Test Condition always the internal resistor R_{in} in [Figure 3-1](#) is the selected one.

default after start-up = CMOS function

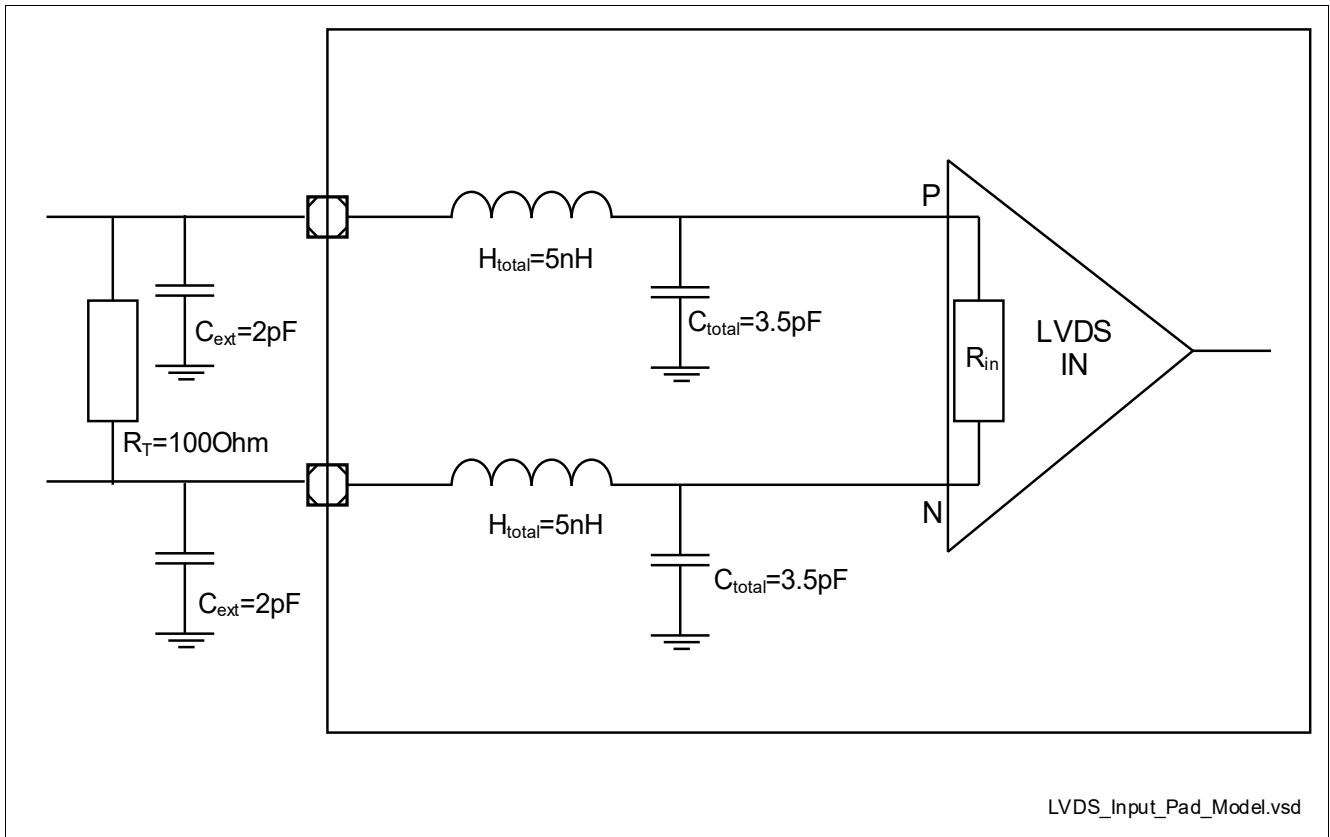


Figure 3-1 LVDS pad Input model

3.7 VADC Parameters

The accuracy of the converter results depends on the reference voltage range. The parameters in the table below are valid for a reference voltage range of $(V_{AREF} - V_{AGND}) \geq 4.5 \text{ V}$. If the reference voltage range is below 4.5 V by a factor of k (e.g. 3.3 V), the accuracy parameters increase by a factor of $1.1/k$ (e.g. $1.1 \times 4.5 / 3.3 = 1.5$).

Noise on supply voltage V_{DDM} influences the conversion. The accuracy (error) parameters are defined for a supply voltage ripple of below 20 mVpp up to 10 MHz (below 5 mVpp above 10 MHz).

Digital functions overlapping analog inputs influence accuracy.

The total unadjusted error (TUE) is defined without noise. The overall deviation depends on TUE and EN_{RMS} (depending on the noise distribution). Example: For a noise distribution of 4 sigma and $EN_{RMS} = 1.0$ the additional peak-peak noise error is $\pm(4 \times 1.0) = 8 \text{ LSB}_{12}$.

Fast compare operations are executed with 10-bit values.

The noise reduction feature improves the result by adding additional conversion steps. The conversion times, therefore, increase accordingly ($4 \times t_{ADCI} + 3 \times t_{ADC}$ for each of 1, 3, or 7 steps).

Table 3-21 VADC 5V

Parameter	Symbol	Values			Unit	Note / Test Condition
		Min.	Typ.	Max.		
EVADC IVR output voltage	$V_{DDK \text{ CC}}$	1.15	-	1.35	V	Measured at low temperature.
Deviation of IVR output voltage V_{DDK}	$dV_{DDK \text{ CC}}$	-2	-	2	%	Based on device-specific value
Analog reference voltage ¹⁾	$V_{AREF \text{ SR}}$	4.5	5.0	$V_{DDM} + 0.05$	V	$4.5 \text{ V} \leq V_{DDM} \leq 5.5 \text{ V}$
		2.97	3.3	$V_{DDM} + 0.05$	V	$2.97 \text{ V} \leq V_{DDM} < 4.5 \text{ V}$
Analog reference ground	$V_{AGND \text{ SR}}$	V_{SSM}	V_{SSM}	V_{SSM}	V	V_{SSM} and V_{AGND} are connected together
Analog input voltage range	$V_{AIN \text{ SR}}$	V_{AGND}	-	V_{AREF}	V	V_{AIN} is limited by the respective pad supply voltage; see pin configuration (buffer type)
Converter reference clock	$f_{ADCI \text{ SR}}$	16	40	53.33	MHz	$4.5 \text{ V} \leq V_{DDM} \leq 5.5 \text{ V}$
		16	20	26.67	MHz	$2.97 \text{ V} \leq V_{DDM} < 4.5 \text{ V}$
Total Unadjusted Error ^{2) 3)}	$TUE \text{ CC}$	-4	-	4	LSB	12-bit resolution for primary/secondary groups, 10-bit resolution for fast compare channels
INL Error ²⁾	$EA_{INL \text{ CC}}$	-3	-	3	LSB	
DNL error ²⁾⁴⁾	$EA_{DNL \text{ CC}}$	-1	-	3	LSB	
Gain Error ²⁾	$EA_{GAIN \text{ CC}}$	-3.5	-	3.5	LSB	
Offset Error ²⁾³⁾	$EA_{OFF \text{ CC}}$	-4	-	4	LSB	
RMS Noise ^{2)5) 6)}	$EN_{RMS \text{ CC}}$	-	0.5	0.8	LSB	Noise reduction level 3
		-	0.5	1.0	LSB	Standard conversion

Electrical Specification VADC Parameters
Table 3-21 VADC 5V (cont'd)

Parameter	Symbol	Values			Unit	Note / Test Condition
		Min.	Typ.	Max.		
Reference input charge consumption per conversion (from V_{AREF}) ^{7) 8) 9)}	Q_{CONV} CC	-	-	20	pC	$V_{AIN} = 0$ V (worst case), precharging disabled
		-	-	10	pC	$V_{AIN} = 0$ V (worst case), precharging enabled, $V_{DDM} - 5\% < V_{AREF} < V_{DDM} + 50$ mV
Switched capacitance of an analog input	C_{AINS} CC	-	2.5	3.4	pF	Input buffer disabled
Analog input charge consumption ¹⁰⁾	Q_{AINS} CC	-	-	3.5	pC	Primary groups and fast compare channels; $V_{AIN} = V_{AREF}$; $V_{DDM} = 5.0$ V; input buffer enabled; $T_J \leq 150^\circ\text{C}$
		-	-	3.8	pC	Primary groups and fast compare channels; $V_{AIN} = V_{AREF}$; $V_{DDM} = 5.0$ V; input buffer enabled; $T_J > 150^\circ\text{C}$
		-	-	4.4	pC	Secondary groups; $V_{AIN} = V_{AREF}$; $V_{DDM} = 5.0$ V; input buffer enabled; $T_J \leq 150^\circ\text{C}$
		-	-	4.8	pC	Secondary groups; $V_{AIN} = V_{AREF}$; $V_{DDM} = 5.0$ V; input buffer enabled; $T_J > 150^\circ\text{C}$

Electrical Specification VADC Parameters
Table 3-21 VADC 5V (cont'd)

Parameter	Symbol	Values			Unit	Note / Test Condition
		Min.	Typ.	Max.		
Sampling time	t_S SR	100	-	-	ns	Primary group or fast compare channel, 4.5 V $\leq V_{DDM} \leq 5.5$ V; input buffer disabled
		300	-	-	ns	Primary group or fast compare channel, 4.5 V $\leq V_{DDM} \leq 5.5$ V; input buffer enabled
		500	-	-	ns	Secondary group, 4.5 V $\leq V_{DDM} \leq 5.5$ V; input buffer disabled
		700	-	-	ns	Secondary group, 4.5 V $\leq V_{DDM} \leq 5.5$ V; input buffer enabled
		200	-	-	ns	Primary Group or fast compare channel, 2.97 V $\leq V_{DDM} < 4.5$ V; input buffer disabled
		400	-	-	ns	Primary group or fast compare channel, 2.97 V $\leq V_{DDM} < 4.5$ V; input buffer enabled
		1000	-	-	ns	Secondary group, 2.97 V $\leq V_{DDM} < 4.5$ V; input buffer disabled
		1200	-	-	ns	Secondary group, 2.97 V $\leq V_{DDM} < 4.5$ V; input buffer enabled
Sampling time for calibration	t_{SCAL} SR	50	-	-	ns	4.5 V $\leq V_{DDM} \leq 5.5$ V
		100	-	-	ns	2.97 V $\leq V_{DDM} < 4.5$ V
Input buffer switch-on time	t_{BUF} CC	-	0.4	1	μ s	
Wakeup time	t_{WU} CC	-	0.1	0.2	μ s	Fast standby mode
		-	1.6	3	μ s	Slow standby mode
Broken wire detection delay against V_{AREF}	t_{BWR} CC	-	100	-	cycles	Result above 80% of full scale range, analog input buffer disabled
Broken wire detection delay against V_{AGND}	t_{BWG} CC	-	100	-	cycles	Result below 10% of full scale range, analog input buffer disabled
Converter diagnostics unit resistance ¹¹⁾	R_{CSD} CC	45	-	75	kOhm	
Converter diagnostics voltage accuracy	dV_{CSD} CC	-10	-	10	%	Percentage refers to V_{DDM}

Electrical Specification VADC Parameters

Table 3-21 VADC 5V (cont'd)

Parameter	Symbol	Values			Unit	Note / Test Condition
		Min.	Typ.	Max.		
Resistance of the multiplexer diagnostics pull-up device	R_{MDU} CC	30	-	42	kOhm	$0\text{ V} \leq V_{IN} \leq 0.9 \cdot V_{DDM}$, Automotive Levels
		56	-	78	kOhm	$0\text{ V} \leq V_{IN} \leq 0.9 \cdot V_{DDM}$, TTL Levels
Resistance of the multiplexer diagnostics pull-down device	R_{MDD} CC	43	-	58	kOhm	$0.1 \cdot V_{DDM} \leq V_{IN} \leq V_{DDM}$, Automotive level
		18	-	25	kOhm	$0.1 \cdot V_{DDM} \leq V_{IN} \leq V_{DDM}$, TTL level
Resistance of the pull-down test device	R_{PDD} CC	-	-	0.3	kOhm	Measured at pad input voltage $V_{IN} = V_{DDM} / 2$.

- 1) These limits apply to the standard reference input as well as to the alternate reference input.
- 2) Parameter depends on reference voltage range and supply ripple, see introduction. Resulting worst case combined error is arithmetic combination of TUE and EN_{RMS} . Tests are done with postcalibration disabled, after completing the startup calibration.
- 3) Analog inputs mapped to pads of the type SLOW influence accuracy. The values for this parameter increase by 3 LSB_{12} .
- 4) Monotonic characteristic, no missing codes when calibrated.
- 5) Parameter EN_{RMS} refers to a 1 sigma distribution.
- 6) Analog inputs mapped to pads of the type SLOW the RMS noise (EN_{RMS}) can be up to 2 LSB_{12} (soft switching for DC/DC enabled).
- 7) For reduced reference voltages $V_{AREF} < 3.375\text{V}$, the consumed charge QCONV is reduced by the factor of $k2 = V_{AREF} [V] / 3.375$. For reduced reference voltages $4.5\text{V} < V_{AREF} \leq 3.375\text{V}$, QCONV is not reduced.
- 8) Maximum charge increases by 15 pC when BWD (Broken Wire Detection) is active.
- 9) Fast compare channels only consume 1/3 of the charge for a primary/secondary group.
- 10) For analog inputs with overlaid digital GPIOs or with PDD function this value increases by 1 pC.
- 11) Use a sample time of at least 1.1 μs to enable proper settling of the test voltage.

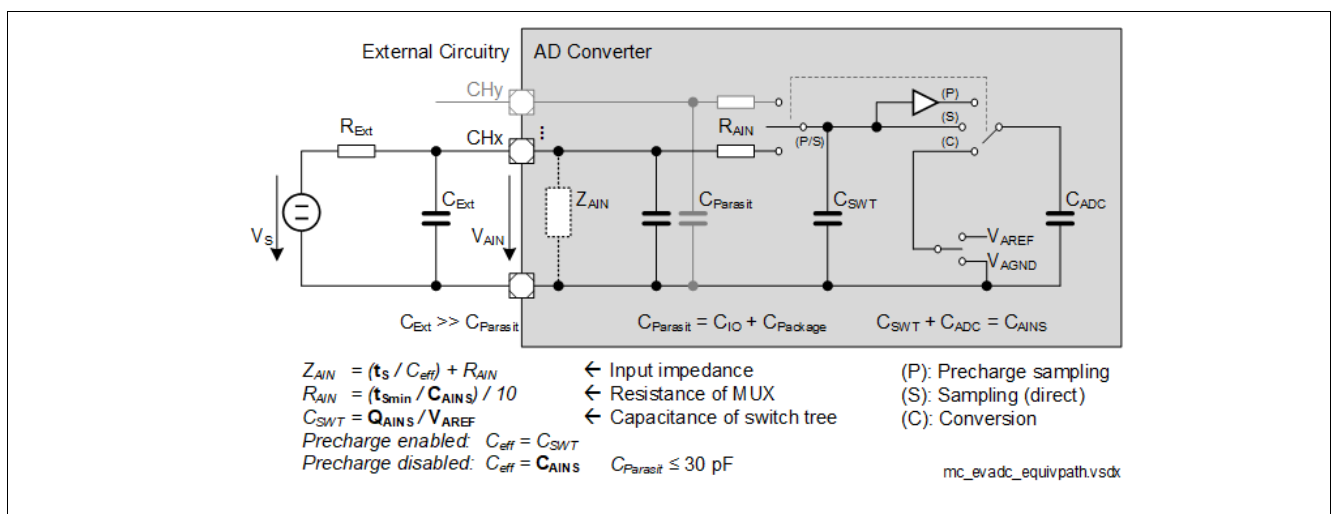


Figure 3-2 Equivalent Circuitry for Analog Inputs

3.8 DSADC Parameters

The DSADC parameters are valid only for voltage range $4.5\text{ V} \leq V_{\text{DDM}} \leq 5.5\text{ V}$.

These parameters describe the product properties and do not include external circuitry. The values are valid for junction temperatures $T_j \leq 150^\circ\text{C}$ if not defined explicitly.

Calibration is specified for gain factors 1 and 2, calibrated values refer to these settings.

The signal-noise ratio (SNR) is specified for differential inputs. For single ended operation the resulting signal-noise ratio is reduced by 6 dB. For quasi-differential mode (i.e. using V_{CM}) it is reduced by 6 dB for gain = 1 and by 3 dB for gain= 2.

Table 3-22 DSADC 5V

Parameter	Symbol	Values			Unit	Note / Test Condition
		Min.	Typ.	Max.		
Common mode voltage bias resistance	R_{BIAS} CC	105	130	155	kOhm	On-chip variation $\leq \pm 2.5\%$.
Positive reference voltage	V_{AREF} SR	4.5	-	$V_{\text{DDM}} + 0.05$	V	
Reference ground voltage	V_{AGND} SR	V_{SSM}	-	V_{SSM}	V	V_{SSM} and V_{AGND} are connected together
Reference load current	I_{REF} CC	-	10	12	μA	Per modulator
		-	-	14	μA	Per modulator, $T_j > 150^\circ\text{C}$
Common mode voltage accuracy ¹⁾	dV_{CM} CC	-100	-	100	mV	Deviation from selected voltage
Analog input voltage range	V_{DSIN} SR	V_{SSM}	-	$2 * V_{\text{DDM}}$	V	Differential; $V_{\text{DSXP}} - V_{\text{DSXN}}$
		V_{SSM}	-	V_{DDM}	V	Single ended
Input current ²⁾	I_{RMS} CC	7	10	13	μA	Exact value ($\pm 1\%$) available in UCB; valid for gain = 1 and $f_{\text{MOD}} = 26.7\text{ MHz}$
On-chip modulator clock frequency	f_{MOD} SR	16	-	40	MHz	
Gain error ^{3) 4)}	ED_{GAIN} CC	-0.2 ⁵⁾	± 0.1 ⁵⁾	0.2 ⁵⁾	%	$T_j \leq 150^\circ\text{C}$; Target, calibrated, V_{AREF} constant after calibration; $f_{\text{MOD}} = 26.67\text{ MHz}$
		-	± 0.25	-	%	$T_j > 150^\circ\text{C}$; V_{AREF} constant after calibration; $f_{\text{MOD}} = 26.67\text{ MHz}$
		-1	-	1	%	Calibrated once; $f_{\text{MOD}} = 26.67\text{ MHz}$
		-2.5	-	2.5	%	Uncalibrated; $f_{\text{MOD}} = 26.67\text{ MHz}$

Electrical Specification DSADC Parameters
Table 3-22 DSADC 5V (cont'd)

Parameter	Symbol	Values			Unit	Note / Test Condition
		Min.	Typ.	Max.		
DC offset error ³⁾	ED_{OFF} CC	-5 ⁵⁾	-	5 ⁵⁾	mV	Calibrated; $f_{MOD} = 26.67$ MHz
		-10	-	10	mV	Calibrated once; $f_{MOD} = 26.67$ MHz
		-30	-	30	mV	Uncalibrated; $f_{MOD} = 26.67$ MHz
Signal-Noise Ratio for differential input signals ^{2),6) 7)}	SNR CC	80	-	-	dB	$T_J \leq 150^\circ\text{C}$; $f_{PB} = 30$ kHz; $f_{MOD} = 26.67$ MHz
		78	-	-	dB	$T_J \leq 150^\circ\text{C}$; $f_{PB} = 50$ kHz; $f_{MOD} = 26.67$ MHz
		74	-	-	dB	$T_J \leq 150^\circ\text{C}$; $f_{PB} = 100$ kHz; $f_{MOD} = 26.67$ MHz
Signal-Noise Ratio degradation	DSNR CC	-	-	3	dB	$T_J > 150^\circ\text{C}$; Resulting Signal-Noise Ratio value is SNR - DSNR
Spurious-free dynamic range ³⁾	SFDR CC	60	-	-	dB	$f_{MOD} = 26.67$ MHz
Output sampling rate	f_D CC	3.906	-	300	kHz	16 MHz / 4096, without integrator
Pass band	f_{PB} CC	1.302	-	100	kHz	Output data rate: $f_D = f_{PB} * 3$; without integrator
		1.302	-	10	kHz	Output data rate: $f_D = f_{PB} * 6$; without integrator
Pass band ripple	df_{PB} CC	-0.08	-	0.08	dB	FIR filters enabled
Stop band attenuation	SBA CC	40	-	-	dB	$0.5 f_D \dots 1.0 f_D$
		45	-	-	dB	$1.0 f_D \dots 1.5 f_D$
		50	-	-	dB	$1.5 f_D \dots 2.0 f_D$
		55	-	-	dB	$2.0 f_D \dots 2.5 f_D$
		60	-	-	dB	$2.5 f_D \dots \text{OSR}/2 f_D$
DC compensation factor	DCF CC	-3	-	-	dB	$10^{-5} f_D$, offset compensation filter enabled (FCFGMx.OCEN = 001 _B)
Modulator settling time	t_{MSET} CC	-	-	20	μs	After switching on, voltage regulator already running

1) On pins with overlaid GPIO function the max. limit increases by up to 25 mV due to leakage current for $T_J > 150^\circ\text{C}$.

2) For detailed information, refer to the User Manual chapter.

3) This parameter is valid within the defined range of f_{MOD} .

4) Gain mismatch error between the different EDSADC channels is within $\pm 0.5\%$ if they have the same calibration strategy

Electrical Specification DSADC Parameters

- 5) Recalibration needed in case of a temperature change $>20^{\circ}\text{C}$
- 6) These values are valid for an analog gain factor of 1. Subtract 3 dB for each higher gain factor.
- 7) For single ended input signals and gain1, the SNR is reduced by 6 dB.

3.9 MHz Oscillator

OSC_XTAL is used as accurate and exact clock source. OSC_XTAL supports 16 MHz to 40 MHz crystals external outside of the device. Support of ceramic resonators is also provided.

Table 3-23 OSC_XTAL

Parameter	Symbol	Values			Unit	Note / Test Condition
		Min.	Typ.	Max.		
Input current at XTAL1	I_{IX1} CC	-70	-	70	μA	$V_{IN} > 0V$; $V_{IN} < V_{EXT}$
Oscillator frequency	f_{OSC} SR	4	-	40	MHz	Direct Input Mode selected, if shaper is not bypassed
		16	-	40	MHz	External Crystal Mode selected
Oscillator start-up time	t_{OSCS} CC	-	-	3 ¹⁾	ms	20MHz $\leq f_{OSC}$ and 8pF load capacitance
Input voltage at XTAL1 ²⁾	V_{IX} SR	-0.7	-	$V_{EXT} + 0.5$	V	If shaper is not bypassed
Input amplitude (peak to peak) at XTAL1	V_{PPX} SR	$0.3 * V_{EXT}$	-	$V_{EXT} + 1.0$	V	If shaper is not bypassed; $f_{OSC} > 25MHz$
		$0.35 * V_{EXT}$	-	$V_{EXT} + 1.0$	V	If shaper is not bypassed; $f_{OSC} \leq 25MHz$
Internal load capacitor	C_{L0} CC	1.30	1.40	1.55	pF	enabled via bit OSCCON.CAP0EN
Internal load capacitor	C_{L1} CC	3.05	3.35	3.70	pF	enabled via bit OSCCON.CAP1EN
Internal load capacitor	C_{L2} CC	7.85	8.70	9.55	pF	enabled via bit OSCCON.CAP2EN
Internal load capacitor	C_{L3} CC	12.05	13.35	14.65	pF	enabled via bit OSCCON.CAP3EN
Internal load stray capacitor between XTAL1 and XTAL2	C_{XINTS} CC	1.15	1.20	1.25	pF	
Internal load stray capacitor between XTAL1 and ground	C_{XTAL1} CC	-	2.5	4	pF	
Duty cycle at XTAL1 ³⁾	DC_{X1} SR	35	-	65	%	$V_{XTAL1} = 0.5 * V_{PPX}$
Absolute RMS jitter at XTAL1 ³⁾	J_{ABSX1} SR	-	-	28	ps	10 KHz to $f_{OSC}/2$
Slew rate at XTAL1 ³⁾	SR_{XTAL1} SR	0.3	-	-	V/ns	Maximum 30% difference between rising and falling slew rate

1) t_{OSCS} is defined from the moment when the Oscillator Mode is set to External Crystal Mode until the oscillations reach an amplitude at XTAL1 of $0.3 * V_{EXT}$.

This value depends on the frequency of the used external crystal. For faster crystal frequencies this value decrease.

2) For Supply ($V_{EXT} < 5.3V$ V_{IX}) min could be down to -0.9V. For XTAL1 an input level down to -0.9V will not cause a damage or a reliability problem operating with an external crystal.

3) Square wave input signal for XTAL1.

Note: It is strongly recommended to measure the oscillation allowance (negative resistance) in the final target system (layout) to determine the optimal parameters for the oscillator operation. Please refer to the limits specified by the crystal or ceramic resonator supplier.

3.10 Back-up Clock

The back-up clock provides an alternative clock source.

Table 3-24 Back-up Clock

Parameter	Symbol	Values			Unit	Note / Test Condition
		Min.	Typ.	Max.		
Back-up clock accuracy before trimming	f_{BACKUT} CC	70	100	130	MHz	$V_{\text{EXT}} \geq 2.97\text{V}$
Back-up clock accuracy after trimming ¹⁾	f_{BACKT} CC	98	100	102	MHz	$V_{\text{EXT}} \geq 2.97\text{V}$
Standby clock	f_{SB} CC	25	70	110	kHz	$V_{\text{EXT}} \geq 2.97\text{V}$

1) A short term trimming providing the accuracy required by LIN communication is possible by periodic trimming every 2 ms for temperature and voltage drifts up to temperatures of 125 celcius

3.11 Temperature Sensor

Table 3-25 DTS PMS

Parameter	Symbol	Values			Unit	Note / Test Condition
		Min.	Typ.	Max.		
Measurement time for each conversion ¹⁾	t_M CC	-	-	2.7	ms	Measured from cold power-on reset release
Calibration reference accuracy	T_{CALACC} CC	-1	-	1	°C	calibration points @ $T_J=-40^{\circ}\text{C}$ and $T_J=127^{\circ}\text{C}$
Accuracy over temperature range	T_{NL} CC	-2	-	2	°C	T_{CALACC} has to be added in addition
DTS temperature range	T_{SR} SR	-40	-	170	°C	

1) After warm reset t_M is not restarted and is measured from last conversion.

Table 3-26 DTS Core

Parameter	Symbol	Values			Unit	Note / Test Condition
		Min.	Typ.	Max.		
Measurement time for each conversion ¹⁾	t_M CC	-	-	2.7	ms	Measured from cold power-on reset release
Temperature difference between on chip temperature sensors	ΔT CC	-3	-	3	°C	
Calibration reference accuracy	T_{CALACC} CC	-2	-	2	°C	calibration points @ $T_J=-40^{\circ}\text{C}$ and $T_J=127^{\circ}\text{C}$
Accuracy over temperature range	T_{NL} CC	-2	-	2	°C	T_{CALACC} has to be added in addition
DTS temperature range	T_{SR} SR	-40	-	170	°C	

1) After warm reset t_M is not restarted and is measured from last conversion.

3.12 Power Supply Current

The total power supply current defined below consists of leakage and switching components.

Application relevant values are typically lower than those given in the following table and depend on the customer's system operating conditions (e.g. thermal connection or used application configurations).

The operating conditions for the parameters in the following table are:

The real (realistic) power pattern defines the following conditions:

- $T_J = 150\text{ °C}$
- $f_{SRI} = f_{CPUx} = 300\text{ MHz}$
- $f_{GTM} = 200\text{ MHz}$
- $f_{SPB} = f_{STM} = f_{BAUD1} = f_{BAUD2} = f_{ASCLINx} = 100\text{ MHz}$
- $V_{DD} = 1.275\text{ V}$
- $V_{DDP3} / \text{FLEX} = 3.366\text{ V}$
- $V_{EXT} / \text{EVRSB} = V_{DDM} = 5.1\text{ V}$
- all cores are active including four lockstep cores (IPC=0.6)
- the following modules are inactive: HSM, HSCT, GETH, Ethernet, PSI5, I2C, FCE, EBU, SPU, RIF, and MTU

The max power pattern defines the following conditions:

- $T_J = 150\text{ °C}$
- $f_{SRI} = f_{CPUx} = 300\text{ MHz}$
- $f_{GTM} = 200\text{ MHz}$
- $f_{SPB} = f_{STM} = f_{BAUD1} = f_{BAUD2} = f_{ASCLINx} = 100\text{ MHz}$
- $V_{DD} = 1.375\text{ V}$
- $V_{DDP3} / \text{FLEX} = 3.63\text{ V}$
- $V_{EXT} / \text{EVRSB} = V_{DDM} = 5.5\text{ V}$
- all cores are active including four lockstep cores (IPC=1.2)
- the following modules are inactive: GETH, FCE, SPU, RIF, and MTU

The ADAS power pattern defines the following conditions:

- $T_J = 125\text{ °C}$
- $f_{SRI} = f_{CPUx} = 300\text{ MHz}$
- $f_{GTM} = 100\text{ MHz}$
- $f_{SPU} = 300\text{ MHz}$; (FFT length =2048, complex windowing)
- $f_{SPB} = f_{STM} = f_{BAUD1} = f_{BAUD2} = f_{ASCLINx} = 100\text{ MHz}$
- $V_{DD} = 1.275\text{ V}$
- $V_{DDP3/EXT/FLEX/EVRSB} = V_{DDM} = 3.366\text{ V}$
- CPU0 and CPU1 (IPC=1.2) and CPU2 (IPC=0.6) cores are active including three lockstep cores; CPU3 (IPC=0.6) is active without lockstep core
- Only EVADC0 and EVADC1 are active
- the following modules are inactive: CPU4, CPU5, HSM, HSCT, GETH, PSI5, I2C, FCE, EBU, MSC, DSADC, and MTU

Electrical Specification Power Supply Current
Table 3-27 Current Consumption

Parameter	Symbol	Values			Unit	Note / Test Condition
		Min.	Typ.	Max.		
Σ Sum of I_{DD} core and peripheral supply currents (incl. $I_{DDPORST} + \Sigma I_{DDCx0} + \Sigma I_{DDCxX} + I_{DDGTM} + I_{DDSB}$)	I_{DDRAIL} CC	-	-	1500	mA	ADAS power pattern
		-	-	1640	mA	max power pattern; $T_J = 150^\circ\text{C}$
		-	-	1372	mA	real power pattern; $T_J = 150^\circ\text{C}$
		-	-	1556	mA	real power pattern; $T_J = 160^\circ\text{C}$
I_{DD} core current during active power-on reset (PORST pin held low). Leakage current of core domain. ¹⁾	$I_{DDPORST}$ CC	-	-	300	mA	$V_{DD} = 1.275\text{V}$; $T_J = 125^\circ\text{C}$
		-	-	575	mA	$V_{DD} = 1.275\text{V}$; $T_J = 150^\circ\text{C}$
		-	-	759	mA	$V_{DD} = 1.275\text{V}$; $T_J = 160^\circ\text{C}$
		-	-	835	mA	$V_{DD} = 1.275\text{V}$; $T_J = 165^\circ\text{C}$
Σ Sum of I_{DDP3} 3.3 V supply currents	$I_{DDP3RAIL}$ CC	-	-	50 ²⁾	mA	ADAS power pattern incl. Flash read current and Dflash programming current.
		-	-	60 ²⁾	mA	max power pattern incl. Flash read current and Dflash programming current.
		-	-	50 ²⁾	mA	real power pattern incl. Flash read current and Dflash programming current.
Σ Sum of external I_{EXT} supply currents (incl. $I_{EXTFLEX} + I_{EVRSB} + I_{EXTLVDS}$)	$I_{EXTRAIL}$ CC	-	-	60	mA	max power pattern
		-	-	54 ³⁾	mA	real power pattern
I_{EXT} and I_{FLEX} supply current	$I_{EXTFLEX}$ CC	-	-	22 ^{1)1)4) 5)}	mA	real power pattern with port activity absent; PORST output inactive.
I_{EVRSB} supply current ¹⁾	I_{EVRSB} CC	-	-	8	mA	real power pattern; PMS/EVR module current considered without SCR and Standby RAM during RUN mode.
Σ Sum of external I_{DDM} supply currents (incl. $I_{DDMEVADC} + I_{DDMEDSADC}$)	I_{DDM} CC	-	-	60	mA	real power pattern; sum of currents of EDSADC and EVADC modules

Electrical Specification Power Supply Current
Table 3-27 Current Consumption (cont'd)

Parameter	Symbol	Values			Unit	Note / Test Condition
		Min.	Typ.	Max.		
Σ Sum of all currents (incl. $I_{EXTRAIL}+I_{DDMRIL}+I_{DDX3RAIL}+I_{DD}$)	I_{DDTOT} CC	-	-	1536	mA	real power pattern; $T_J=150^\circ\text{C}$
		-	-	1720	mA	real power pattern; $T_J=160^\circ\text{C}$
Σ Sum of all currents with DC-DC EVRC regulator active ⁶⁾	$I_{DDTOTDC3}$ CC	-	-	980	mA	real power pattern; EVRC reset settings with 72% efficiency; $V_{EXT} = 3.3\text{V}$; $T_J=160^\circ\text{C}$
Σ Sum of all currents with DC-DC EVRC regulator active ⁶⁾	$I_{DDTOTDC5}$ CC	-	-	670	mA	real power pattern; EVRC reset settings with 72% efficiency; $V_{EXT} = 5\text{V}$; $T_J=160^\circ\text{C}$
Σ Sum of all currents (SLEEP mode) ¹⁾	I_{SLEEP} CC	-	-	38	mA	All CPUs in idle, All peripherals in sleep, $f_{SRI/SPB} = 1\text{ MHz}$ via LPDIV divider; $T_J = 25^\circ\text{C}$
Σ Sum of all currents (STANDBY mode) drawn at V_{EVRSB} supply pin ⁷⁾	$I_{STANDBY}$ CC	-	-	130 ⁸⁾	μA	32 kB Standby RAM block active. SCR inactive. Power to remaining domains switched off. $T_J = 25^\circ\text{C}$; $V_{EVRSB} = 5\text{V}$
Maximum power dissipation ⁹⁾	PD SR	-	-	2240	mW	ADAS power pattern; $T_J=125^\circ\text{C}$
		-	-	3220	mW	max power pattern; $T_J=150^\circ\text{C}$
		-	-	2500	mW	real power pattern; $T_J=150^\circ\text{C}$

- 1) Limits are defined for real power pattern ($V_{DD}=1.275\text{V}$). For max power pattern limit has to be multiplied by the factor 1.22.
- 2) Realistic Pflash read pattern with 50% Pflash bandwidth utilization and a code mix of 50% 0s and 50% 1s. A common decoupling capacitor of at least 100nF for (V_{DDP3}) is used. Continuous Dflash programming in burst mode with 3.3 V supply and realistic Pflash read access in parallel. Erase currents of the corresponding flash modules are less than the respective programming currents at V_{DDP3} pin. Programming and erasing flash may generate transient current spikes of up to 45 mA / 20 ns which are handled by the decoupling and buffer capacitors. This parameter is relevant for external power supply dimensioning and not for thermal considerations.
- 3) Limits are defined for real power pattern. For ADAS power pattern limit sum up to 40mA.
- 4) The current consumption includes only minimal port activity.
- 5) Limits are defined for real power pattern. For ADAS power pattern limit has to be multiplied by the factor 0.7.
- 6) The total current drawn from external regulator is estimated with 72% EVRC SMPS regulator efficiency. IDDTOTDCx is calculated from IDDTOT using the scaled core current $[(IDD \times VDD)/(V_{in} \times \text{Efficiency})]$ and constitutes all other rail currents and IDDM.
- 7) The same current limits apply also for the other power pattern.

Electrical Specification Power Supply Current

- 8) Σ Sum of all currents during RUN mode at VEVR_{SB} supply pin is less than (IEVR_{SB} + 4 mA Standby RAM current + ISCR_{SB} if SCR active). Σ It is recommended to have atleast 100 nF decoupling capacitor at this pin. 32kB of Standby SRAM contributes less than 10uA to I_{STANDBY} current.
- 9) The values are only valid if all supplies are applied from external and do not contain the power losses of EVR33 and EVRC.

Table 3-28 Module Current Consumption

Parameter	Symbol	Values			Unit	Note / Test Condition
		Min.	Typ.	Max.		
I_{DDP3} supply current for programming of a Pflash or Dflash bank ¹⁾	$I_{DDP3PROG}$ CC	-	-	25	mA	Pflash 3.3V programming current adder when using external 3.3V supply.
		-	-	9 ²⁾	mA	Pflash 3.3V programming current adder when using external 5V supply.
I_{EXT} supply current added by LVDS pads in LVDS mode ¹⁾	$I_{EXTLVDS}$ CC	-	-	9 ³⁾	mA	real power pattern; 6 pairs of LVDS pins active with receive function
		-	-	24	mA	real power pattern; 6 pairs of LVDS pins active with transmit function

Electrical Specification Power Supply Current
Table 3-28 Module Current Consumption (cont'd)

Parameter	Symbol	Values			Unit	Note / Test Condition
		Min.	Typ.	Max.		
Σ Sum of external I_{DDM} supply currents (incl. $I_{DDMEVADC} + I_{DDMEDSADC}$)	I_{DDM} CC	-	-	44	mA	real power pattern; current for EDSADC modules only and EVADC modules are inactive; 11 EDSADC channels active continuously.
		-	-	63 ⁴⁾	mA	max power pattern; current for EDSADC modules only and EVADC modules are inactive; all EDSADC channels active continuously.
		-	-	16 ⁵⁾	mA	real power pattern; current for EVADC modules only and EDSADC modules are inactive; 12 EVADC modules active.
		-	-	20 ⁶⁾	mA	max power pattern; current for EVADC modules only and EDSADC modules are inactive; all EVADC modules active.
I_{DDP3} supply current for erasing of a Pflash or Dflash bank	$I_{DDP3ERASE}$ CC	-	-	25	mA	Pflash 3.3V erasing current adder when using external 3.3V supply.
SCR 8-bit Standby Controller current incl. PMS in STANDBY Mode drawn at V_{EVRSB} supply pin	$I_{SCR SB}$ CC	-	-	7.5 ⁷⁾	mA	SCR power pattern incl. PMS current consumption with fback clock active; $f_{SYS_SCR} = 20\text{MHz}$; $T_J = 150^\circ\text{C}$
		-	0.150	-	mA	SCR power pattern incl. PMS current consumption with fback inactive; $f_{SYS_SCR} = 70\text{kHz}$; $T_J = 25^\circ\text{C}$
SCR 8-bit Standby Controller CPU in IDLE mode ⁸⁾	$I_{SCRIDLE}$ CC	-	-	3.5	mA	real power pattern. CPU set into idle mode.

1) The same current limits apply also for the other power pattern.

2) During Pflash programming at 5V, additional 3 mA is drawn at VEXT supply rail.

3) A single LVDS pair with receive function is limited to 1.5mA ($I_{EXTLVDS}$).

Electrical Specification Power Supply Current

- 4) A single DS channel instance consumes 4 mA.
- 5) EVADC current is limited to 3mA in "ADAS power pattern with 2 EVADC" at (I_{DDM}).
- 6) A single VADC unit consumes 1.3 mA.
- 7) If SCR ADCOMP is activated, an additional 0.6 mA adder is to be considered.
- 8) Limits are defined for real power pattern ($V_{DD}=1.275V$). For max power pattern limit has to be multiplied by the factor 1.22.

Table 3-29 Module Core Current Consumption

Parameter	Symbol	Values			Unit	Note / Test Condition
		Min.	Typ.	Max.		
I_{DD} core current of CPUx main core with CPUx lockstep core inactive	I_{DDCx0} CC	-	-	70	mA	max power pattern; IPC=1.2
		-	-	45	mA	real power pattern; IPC=0.6
I_{DD} core current of CPUx main core with CPUx lockstep core active	I_{DDCxX} CC	-	-	$I_{DDCx0} + 50$	mA	max power pattern; IPC=1.2
		-	-	$I_{DDCx0} + 40$	mA	real power pattern; IPC=0.6
I_{DD} core current added by GTM	I_{DDGTM} CC	-	-	160	mA	max power pattern
		-	-	130	mA	real power pattern; TIMx, TOMx, ATOMx, MCSx active. 3 clusters at 200 MHz.
		-	-	60	mA	TIMx, TOMx active at 100MHz. ATOMx, MCSx, DPLL inactive. 2 clusters at 100 MHz.
I_{DD} core current added by HSM	I_{DDHSM} CC	-	-	20 ¹⁾	mA	max power pattern; HSM running at 100MHz.
I_{DD} core current added by SPU	I_{DDSPU1} CC	-	-	360 ²⁾	mA	CTRL.DIV = 00; SPU @ 300 MHz; FFT length 2048; DATSRC=EMEM; complex windowing
I_{DD} core current added by SPU	I_{DDSPU2} CC	-	-	310 ²⁾	mA	CTRL.DIV = 00; SPU @ 300 MHz; FFT length 512; DATSRC=EMEM; complex windowing
I_{DD} core dynamic current load jump during IDDSPU1 pattern.	$I_{DDSPULJ1}$ CC	-	-	390 ³⁾	mA	CTRL.DIV = 00; SPU @ 300 MHz; FFT length 2048; DATSRC=EMEM; complex windowing

Table 3-29 Module Core Current Consumption (cont'd)

Parameter	Symbol	Values			Unit	Note / Test Condition
		Min.	Typ.	Max.		
I_{DD} core dynamic current load jump during IDDSPU2 pattern.	$I_{DDSPULJ2}$ CC	-	-	310 ³⁾	mA	CTRL.DIV = 00; SPU @ 300 MHz; FFT length 512; DATSRC=EMEM; complex windowing
I_{DD} core dynamic current added by LBIST	I_{DDLBI} CC	-	-	150 ⁴⁾	mA	LBIST Configuration A; $1.2V \leq V_{DD}$
I_{DD} core dynamic current added by MBIST	I_{DDMBI} CC	-	-	225	mA	fMBIST = 300MHz; tMBIST < 6ms. MTU Ganging procedure for SRAM test and initialization; VDD = 1.375V.

- 1) The current consumption includes basic HSM activity incl. AES module.
- 2) The current is estimated as the sum of the SPU base load current at clock activation and average current caused by SPU dynamic activity as defined in the conditions. Secondary Voltage Monitor over-voltage threshold shall be set to $V_{DD} + 10\%$ and under-voltage threshold shall be set to $V_{DD} - 9\%$ respectively.
During the SPU operational phase for $I_{DDSPU1/2}$ usecase, the externally supplied V_{DD} voltage has to be equal or greater than 1.225V (V_{DD} nominal - 2%) for static accuracy part and the overall static and dynamic at the V_{DD} supply pin shall be limited to (V_{DD} nominal - 8%).
- 3) The dynamic current load jump during SPU activity as defined by the conditions observed at the VDD pin beyond a settling time duration of 20 us.
- 4) LBIST is executed either during start-up phase or can be triggered by application software. Secondary voltage monitors are inactive during the LBIST execution time (t_{LBIST}).
During the start-up phase externally supplied V_{DD} voltage has to be equal or greater than 1.2V (V_{DD} nominal - 4%) for static accuracy.
If V_{DD} is supplied internally by EVRC, EVRC takes care not to violate the V_{DD} 1.2V static under voltage limit.

3.12.1 Calculating the 1.25 V Current Consumption

The current consumption of the 1.25 V rail is composed of two parts:

- Static current consumption
- Dynamic current consumption

The static current consumption is related to the device temperature T_J and the dynamic current consumption depends on the configured clocking frequencies and the software application executed. These two parts need to be added in order to get the rail current consumption.

(3.1)

$$I_0 = 5,8871 \left[\frac{\text{mA}}{\text{C}} \right] e^{0,0246 T_J[\text{C}]}$$

(3.2)

$$I_0 = 16,4863 \left[\frac{\text{mA}}{\text{C}} \right] e^{0,0232 T_J[\text{C}]}$$

Equation (3.1) defines the typical static current consumption and **Equation (3.2)** defines the maximum static current consumption. Both functions are valid for $V_{DD} = 1.275 \text{ V}$.

3.13 Power Supply Infrastructure and Supply Start-up

3.13.1 Supply Ramp-up and Ramp-down Behavior

Start-up slew rates for supply rails shall comply to SR (see [Table 3-33](#) Supply Ramp).

3.13.1.1 Single Supply mode (a)

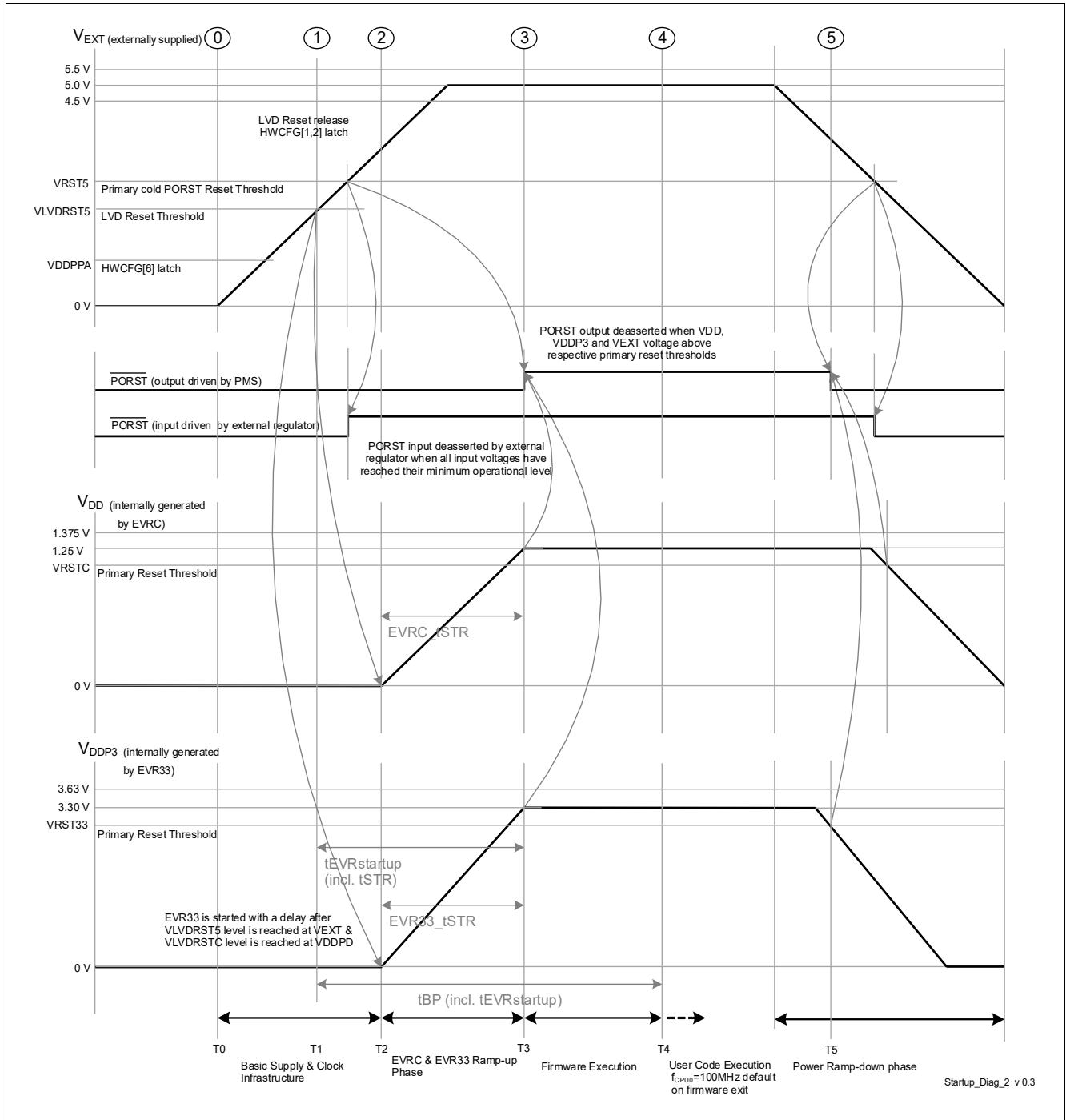


Figure 3-3 Single Supply mode (a) - V_{EXT} (5 V) single supply

Electrical Specification Power Supply Infrastructure and Supply Start-up

VEXT = 5 V single supply mode. VDD and VDDP3 are generated internally by the EVRC and EVR33 internal regulators.

- The rate at which current is drawn from the external regulator (dI_{EXT}/dt) is limited during the basic infrastructure and EVRx regulator start-up phase (T0 up to T2) to a maximum of 100 mA with 100 μ s settling time. Start-up slew rates for supply rails shall comply to datasheet parameter SR. The slope is defined as the maximal tangential slope between 0% to 100% voltage level. Actual waveform may not represent the specification.
- Furthermore it is also ensured that the current drawn from the regulator (dI_{DD}/dt) is limited during the Firmware start-up phase (T3 up to T4) to a maximum of 100 mA with 100 μ s settling time.
- PORST is active/asserted when either PORST (input) or PORST (output) is active/asserted.
- PORST (input) active means that the reset is held active by external agents by pulling the PORST pin low. It is recommended to keep the PORST (input) asserted until the external supply is above the respective primary reset threshold.
- PORST (output) active means that μ C asserts the reset internally and drives the PORST pin low thus propagating the reset to external devices. The PORST (output) is asserted by the μ C when at least one among the three supply domains (VDD, VDDP3 or VEXT) violate their primary under-voltage reset thresholds. The PORST (output) is de-asserted by the μ C when all supplies are above their primary reset thresholds and the basic supply and clock infrastructure is available. During reset release at T3, the load jump of upto 150 mA (dI_{DD}) is expected.
- The power sequence as shown in [Figure 3-3](#) is enumerated below
 - T1 up to T2 refers to the period in time when basic supply and clock infrastructure components are available as the external supply ramps up. The bandgap and internal clock sources are started. The supply mode is evaluated based on the HWCFG[2:1,4,5,6] and TESTMODE pins. T1 up to T2 refers to the period in time when basic supply and clock infrastructure components are available as the external supply ramps up. The bandgap and internal clock sources are started. The supply mode is evaluated based on the HWCFG[2:1,6] pins. These events are initiated after LVD reset release at T1. LVD reset is released the both input voltages VEXT and VEVR SB are above VLVD RST5 and VLVD RST SB levels correspondingly. Internal pre-regulator VDDPD output voltage is above VLVD RST C level.
 - T2 refers to the point in time where consequently a soft start of EVRC and EVR33 regulators are initiated. PORST (input) does not have any affect on EVR33 or EVRC output and regulators continue to generate the respective voltages though PORST is asserted and the device is in reset state. The generated voltage follows a soft ramp-up over the tSTR (datasheet parameter) time to avoid overshoots.
 - T3 refers to the point in time when all supplies are above their primary reset thresholds denoted by VRST5, VRST33 and VRSTC supply voltage levels. EVRC and EVR33 regulators have ramped up. PORST (output) is de-asserted and HWCFG[3:5] pins are latched on PORST rising edge by SCU. Firmware execution is initiated. The time between T1 and T3 is documented as tEVR startup (datasheet parameter).
 - T4 refers to the point in time when Firmware execution is completed and User code execution starts with CPU0 at a default frequency of 100 MHz. The time between T0 and T4 is documented as tBP (datasheet parameter).
 - T5 refers to the point in time during the ramp-down phase when at least one of the externally provided or generated supplies (VDD, VDDP3 or VEXT) drop below their respective primary under-voltage reset thresholds.

3.13.1.2 Single Supply mode (e)

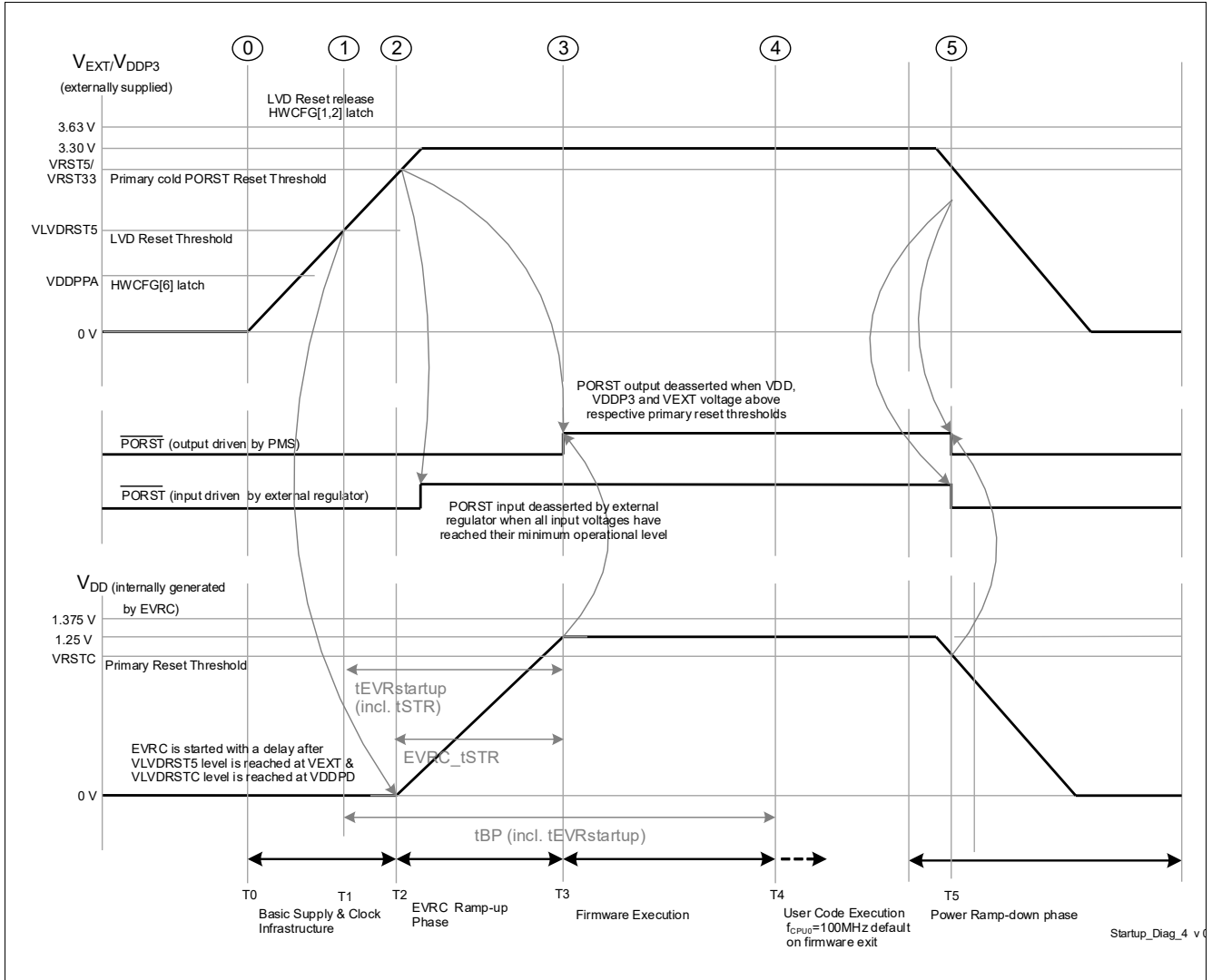


Figure 3-4 Single Supply mode (e) - (VEXT & VDDP3) 3.3 V single supply

V_{EXT} = V_{VDDP3} = 3.3 V single supply mode. V_{VDD} is generated internally by the EVRC regulator.

- The rate at which current is drawn from the external regulator (dI_{EXT} / dt) is limited in the Start-up phase to a maximum of 100 mA with 100 us settling time. Start-up slew rates for supply rails shall comply to datasheet parameter SR. The slope is defined as the maximal tangential slope between 0% to 100% voltage level. Actual waveform may not represent the specification.
- PORST is active/asserted when either PORST (input) or PORST (output) is active/asserted.
- PORST (input) active means that the reset is held active by external agents by pulling the PORST pin low. It is recommended to keep the PORST (input) asserted until the external supply is above the respective primary reset threshold.
- PORST (output) active means that μC asserts the reset internally and drives the PORST pin low thus propagating the reset to external devices. The PORST (output) is asserted by the μC when at least one among the three supply domains (V_{VDD}, V_{VDDP3} or V_{EXT}) violate their primary under-voltage reset thresholds. The PORST (output) is de-asserted by the μC when all supplies are above their primary reset thresholds and the

Electrical Specification Power Supply Infrastructure and Supply Start-up

basic supply and clock infrastructure is available. During reset release at T3, the load jump of upto 150 mA (dIDD) is expected.

- The power sequence as shown in [Figure 3-4](#) is enumerated below
 - T1 up to T2 refers to the period in time when basic supply and clock infrastructure components are available as the external supply ramps up. The bandgap and internal clock sources are started. The supply mode is evaluated based on the HWCFG[2:1,4,5,6] and TESTMODE pins. T1 up to T2 refers to the period in time when basic supply and clock infrastructure components are available as the external supply ramps up. The bandgap and internal clock sources are started. The supply mode is evaluated based on the HWCFG[2:1,6] pins. These events are initiated after LVD reset release at T1. LVD reset is released the both input voltages VEXT and VEVR SB are above VLVD RST5 and VLVD RSTSB levels correspondingly. Internal pre-regulator VDDPD output voltage is above VLVD RSTC level.
 - T2 refers to the point in time where consequently a soft start of EVRC regulator is initiated. PORST (input) does not have any affect on EVRC output and regulators continue to generate the respective voltages though PORST is asserted and the device is in reset state. The generated voltage follows a soft ramp-up over the tSTR (datasheet parameter) time to avoid overshoots.
 - T3 refers to the point in time when all supplies are above their primary reset thresholds denoted by VRST5, VRST33 and VRSTC supply voltage levels. EVRC regulator has ramped up. PORST (output) is de-asserted and HWCFG[3:5] pins are latched on PORST rising edge by SCU. Firmware execution is initiated. The time between T1 and T3 is documented as tEVR startup (datasheet parameter).
 - T4 refers to the point in time when Firmware execution is completed and User code execution starts with CPU0 at a default frequency of 100 MHz. The time between T0 and T4 is documented as tBP (datasheet parameter).
 - T5 refers to the point in time during the ramp-down phase when at least one of the externally provided or generated supplies (VDD, VDDP3 or VEXT) drop below their respective primary under-voltage reset thresholds.

3.13.1.3 External Supply mode (d)

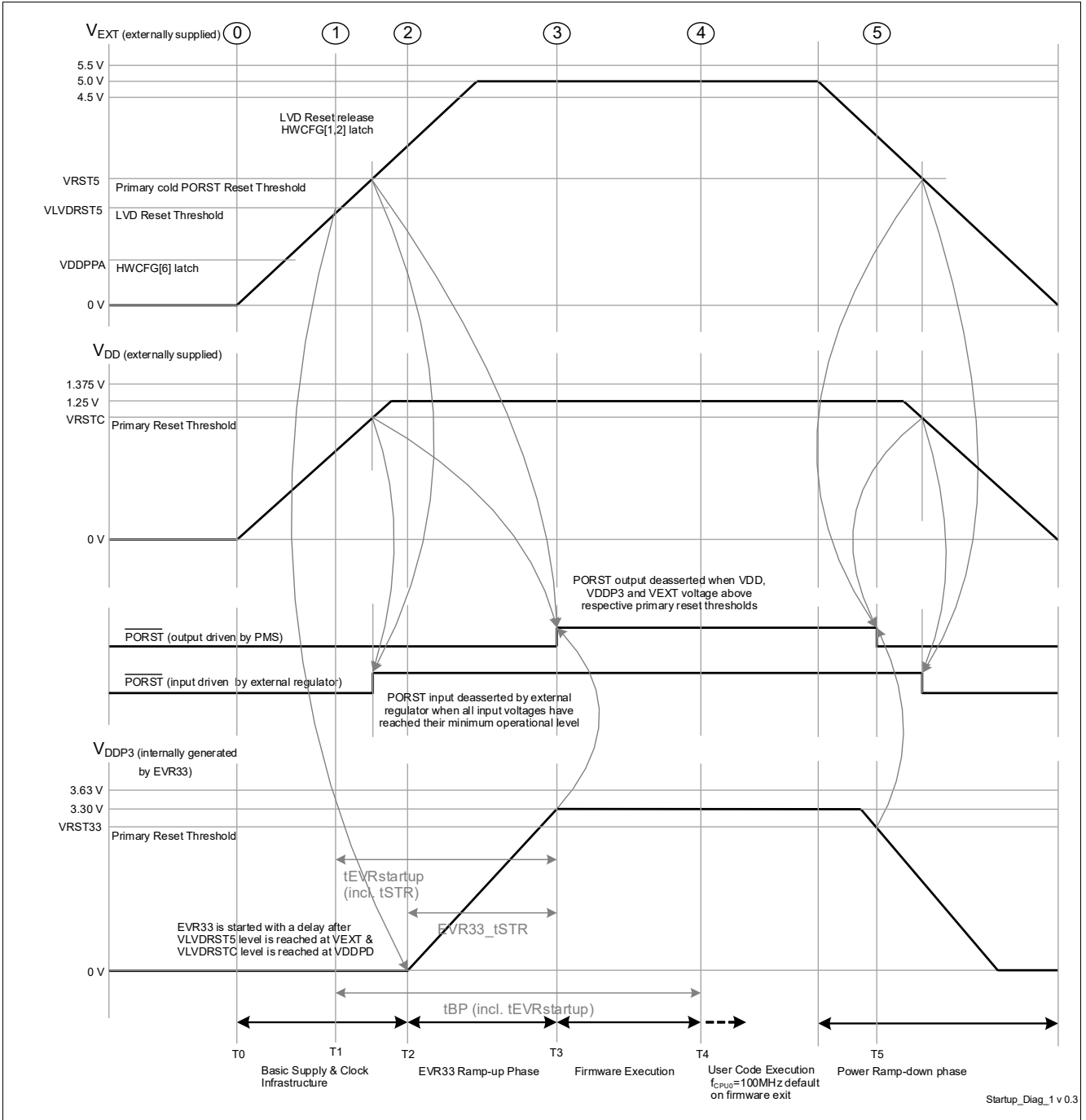


Figure 3-5 External Supply mode (d) - VEXT and VDD externally supplied

VEXT = 5 V and VDD supplies are externally supplied. 3.3V is generated internally by the EVR33 regulator.

- External supplies VEXT and VDD may ramp-up or ramp-down independent of each other with regards to start, rise and fall time(s). Start-up slew rates for supply rails shall comply to datasheet parameter SR. The slope is defined as the maximal tangential slope between 0% to 100% voltage level. Actual waveform may not represent the specification. It is expected that during start-up, VEXT ramps up before VDD rail. If VDD voltage

Electrical Specification Power Supply Infrastructure and Supply Start-up

rail is ramped up before VEXT; VDD supply overshoots during start-up shall be limited within the operational voltage range.

- The rate at which current is drawn from the external regulator (dIEXT /dt or dIDD /dt) is limited in the Start-up phase to a maximum of 100 mA with 100 us settling time.
- PORST is active/asserted when either PORST (input) or PORST (output) is active/asserted.
- PORST (input) active means that the reset is held active by external agents by pulling the PORST pin low. It is recommended to keep the PORST (input) asserted until all the external supplies are above their primary reset thresholds.
- PORST (output) active means that μC asserts the reset internally and drives the PORST pin low thus propagating the reset to external devices. The PORST (output) is asserted by the μC when at least one among the three supply domains (VDD, VDDP3 or VEXT) violate their primary under-voltage reset thresholds. The PORST (output) is de-asserted by the μC when all supplies are above their primary reset thresholds and the basic supply and clock infrastructure is available. During reset release at T3, the load jump of upto 150 mA (dIDD) is expected.
- The power sequence as shown in **Figure 3-5** is enumerated below
 - T1 up to T2 refers to the period in time when basic supply and clock infrastructure components are available as the external supply ramps up. The bandgap and internal clock sources are started. The supply mode is evaluated based on the HWCFG[2:1,4,5,6] and TESTMODE pins. T1 up to T2 refers to the period in time when basic supply and clock infrastructure components are available as the external supply ramps up. The bandgap and internal clock sources are started. The supply mode is evaluated based on the HWCFG[2:1,6] pins. These events are initiated after LVD reset release at T1. LVD reset is released the both input voltages VEXT and VEVR5B are above VLVD RST5 and VLVD RST5B levels correspondingly. Internal pre-regulator VDDPD output voltage is above VLVD RSTC level.
 - T2 refers to the point in time where consequently a soft start of EVR33 regulator is initiated. PORST (input) does not have any affect on EVR33 output and regulators continue to generate the respective voltages though PORST is asserted and the device is in reset state. The generated voltage follows a soft ramp-up over the tSTR (datasheet parameter) time to avoid overshoots.
 - T3 refers to the point in time when all supplies are above their primary reset thresholds denoted by VRST5, VRST33 and VRSTC supply voltage levels. EVR33 regulators has ramped up. PORST (output) is de-asserted and HWCFG[3:5] pins are latched on PORST rising edge by SCU. Firmware execution is initiated. The time between T1 and T3 is documented as tEVRstartup (datasheet parameter).
 - T4 refers to the point in time when Firmware execution is completed and User code execution starts with CPU0 at a default frequency of 100 MHz. The time between T0 and T4 is documented as tBP (datasheet parameter).
 - T5 refers to the point in time during the ramp-down phase when at least one of the externally provided or generated supplies (VDD, VDDP3 or VEXT) drop below their respective primary under-voltage reset thresholds.

3.13.1.4 External Supply mode (h)

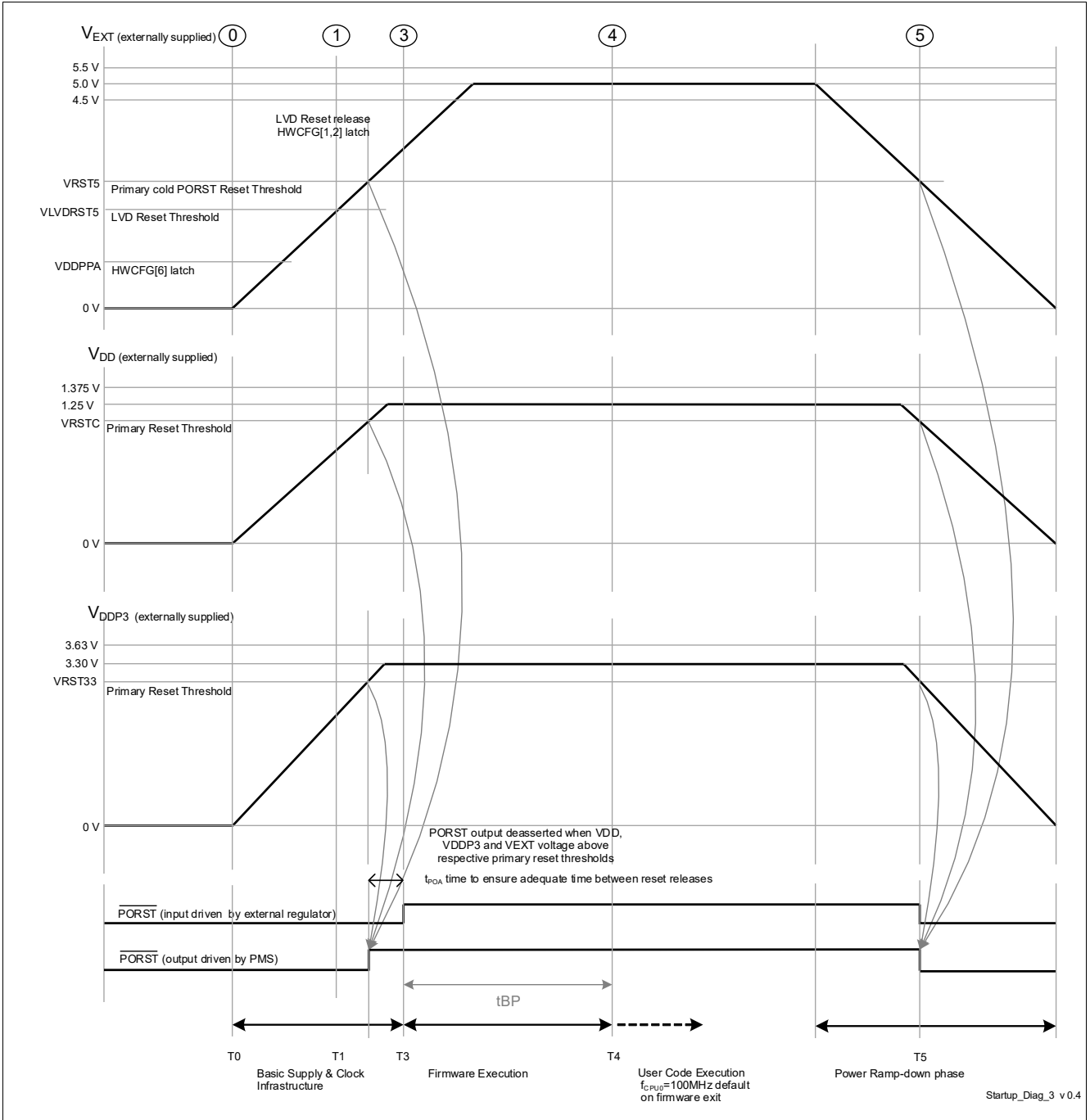


Figure 3-6 External Supply mode (h) - VEXT, VDDP3 & VDD externally supplied

All supplies, namely VEXT, VDDP3 & VDD are externally supplied.

- External supplies VEXT, VDDP3 & VDD may ramp-up or ramp-down independent of each other with regards to start, rise and fall time(s). Start-up slew rates for supply rails shall comply to datasheet parameter SR. The slope is defined as the maximal tangential slope between 0% to 100% voltage level. Actual waveform may not represent the specification. It is expected that during start-up, VEXT ramps up before VDDP3 and VDD rails. If smaller voltage rails are ramped up before VEXT; VDD and VDDP3 supply overshoots during start-up shall be limited within the operational voltage ranges of the respective rails.

Electrical Specification Power Supply Infrastructure and Supply Start-up

- The rate at which current is drawn from the external regulator (dI_{EXT}/dt , dI_{DD}/dt or dI_{DDP3}/dt) is limited in the Start-up phase to a maximum of 100 mA with 100 μ s settling time.
- PORST is active/asserted when either PORST (input) or PORST (output) is active/asserted.
- PORST (input) active means that the reset is held active by external agents by pulling the PORST pin low. It is recommended to keep the PORST (input) asserted until all the external supplies are above their primary reset thresholds.
- PORST (output) active means that μ C asserts the reset internally and drives the PORST pin low thus propagating the reset to external devices. The PORST (output) is asserted by the μ C when at least one among the three supply domains (VDD, VDDP3 or VEXT) violate their primary under-voltage reset thresholds. The PORST (output) is de-asserted by the μ C when all supplies are above their primary reset thresholds and the basic supply and clock infrastructure is available. During reset release at T3, the load jump of upto 150 mA (dI_{DD}) is expected.
- The power sequence as shown in [Figure 3-6](#) is enumerated below
 - T1 up to T3 refers to the period in time when basic supply and clock infrastructure components are available as the external supply ramps up. The bandgap and internal clock sources are started. The supply mode is evaluated based on the HWCFG[2:1,4,5,6] and TESTMODE pins. T1 up to T2 refers to the period in time when basic supply and clock infrastructure components are available as the external supply ramps up. The bandgap and internal clock sources are started. The supply mode is evaluated based on the HWCFG[2:1,6] pins. These events are initiated after LVD reset release at T1. LVD reset is released the both input voltages VEXT and VEVRSB are above VLVD RST5 and VLVD RSTSB levels correspondingly. Internal pre-regulator VDDPD output voltage is above VLVD RSTC level.
 - T3 refers to the point in time when all supplies are above their primary reset thresholds denoted by VRST5, VRST33 and VRSTC supply voltage levels. PORST (output) is de-asserted and HWCFG[3:5] pins are latched on PORST rising edge by SCU. Firmware execution is initiated.
 - T4 refers to the point in time when Firmware execution is completed and User code execution starts with CPU0 at a default frequency of 100 MHz. The time between T0 and T4 is documented as tBP (datasheet parameter).
 - T5 refers to the point in time during the ramp-down phase when at least one of the externally provided supplies (VDD, VDDP3 or VEXT) drop below their respective primary under-voltage reset thresholds.

3.14 Reset Timing

Table 3-30 Reset

Parameter	Symbol	Values			Unit	Note / Test Condition
		Min.	Typ.	Max.		
Application Reset Boot Time	t_B CC	-	-	400	μ s	operating with max. frequencies, with valid BMI header
System Reset Boot Time	t_{BS} CC	-	-	1.1	ms	RAM initialization and HSM boot time are not included, with valid BMI header
Cold Power on Reset Boot Time ¹⁾	t_{BP} CC	-	-	3.1	ms	$dVEXT/dT=1V/ms$. $VEXT>VLVDRST5$. Boot time after Cold PORST including EVR ramp-up and Firmware execution time; RAM initialization and HSM boot time are not included.
		-	-	1.6	ms	Firmware execution time after PORST release without EVR ramp-up; RAM initialization and HSM boot time is not included
Minimum cold PORST reset hold time in case of power fail event issued by EVR primary monitors	t_{EVRPOR} CC	10 ²⁾	-	-	μ s	
PMS Infrastructure, EVRC and EVR33 overall start-up time till cold PORST reset release	$t_{EVRstartup}$ CC	-	-	1	ms	$dV/dT=1V/ms$. EVRC and EVR33 active
Minimum PORST active hold time externally after power supplies are stable at operating levels after start-up	t_{POA} SR	1 ³⁾	-	-	ms	
Configurable PORST digital filter delay in addition to analog pad filter delay	$t_{PORSTDF}$ CC	600	-	1200	ns	
Warm Reset Sequencing Delay	$t_{WARMRSTSEQ}$ CC	-	-	180	μ s	
HWCFG pins hold time from ESR0 rising edge	t_{HDH} CC	$16 / f_{SPB}$	-	-	ns	

Electrical Specification Reset Timing
Table 3-30 Reset (cont'd)

Parameter	Symbol	Values			Unit	Note / Test Condition
		Min.	Typ.	Max.		
HWCFG pins setup time to ESR0 rising edge	t_{HDS} CC	0	-	-	ns	
Ports inactive after ESR0 reset active	t_{PI} CC	$8000/f_{BAC}$ KT	-	$18000/f_{BA}$ CKT	s	
Ports inactive after PORST reset active	t_{PIP} CC	-	-	150	ns	
Hold time from PORST rising edge	t_{POH} SR	150	-	-	ns	
Setup time to PORST rising edge	t_{POS} SR	0	-	-	ns	
Warm PORST reset boot time	t_{BWP} CC	-	-	1.5	ms	without RAM initialization
LBIST execution time extending the boot time	t_{LBIST} CC	-	-	6	ms	LBIST Configuration A; $1.2V \leq V_{DD}$
SCR reset boot time	t_{SCR} CC	-	-	5	μ s	User Mode 0
		-	-	16	μ s	User Mode 1
		-	13.3	-	μ s	WDT double bit ECC, soft reset
Minimum external supplies hold time after warm reset assertion	$t_{SUPHOLD}$ CC	-	-	250	μ s	external supplies are V_{EVRSB} , V_{EXT} , V_{FLEX} , V_{EBU} , V_{DDM} , V_{DDP3} and V_{DD}

- 1) RAM initialization add 500 μ s in addition.
- 2) Cold PORST reset is driven by uC and maintained in an extended voltage range between VDDPPA limit and absolute maximum rating voltage limits.
- 3) The reset release on supply ramp-up or supply restoration is delayed by a voltage hysteresis of 1.5% (default value) above the undervoltage reset limit implemented on VEXT, VDDP3 and VDD rails. This mechanism helps to avoid multiple consecutive cold PORST events during slow supply ramp-ups owing to voltage drop/current jumps when reset is released.

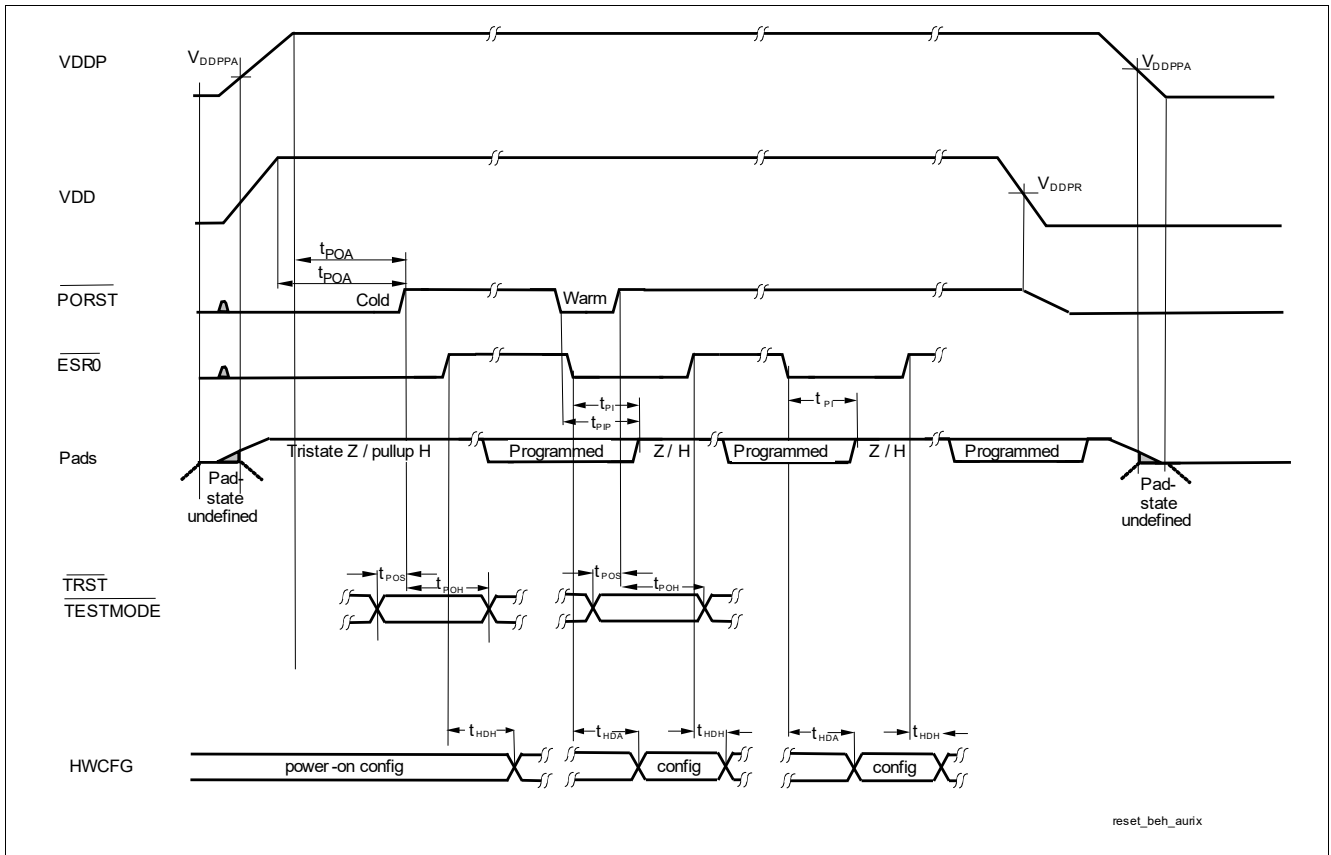


Figure 3-7 Power, Pad and Reset Timing

3.15 EVR
Table 3-31 EVR33 LDO

Parameter	Symbol	Values			Unit	Note / Test Condition
		Min.	Typ.	Max.		
Input voltage range	V_{IN} SR	3.60 ¹⁾	-	5.50	V	Normal RUN mode
		2.97 ²⁾	-	5.50	V	Low voltage cranking mode
Output voltage operational range including load/line regulation and aging ³⁾	V_{OUT} CC	2.97	3.3	3.63	V	Normal RUN mode
		2.60	3.3	3.63	V	Low voltage cranking mode; $I_{DDP3}=50mA$
Output V_{DDx3} static voltage accuracy after trimming and aging without dynamic load/line regulation.	V_{OUTT} CC	3.225	3.3	3.375	V	Normal RUN mode
		2.78	3.3	3.375	V	Low voltage cranking mode; $I_{DDP3}=50mA$
Output buffer capacitance on V_{OUT}	C_{OUT} SR	1.45	2.2	3	μF	
Output buffer capacitor ESR	C_{OUTESR} SR	-	-	100 ⁴⁾	mOhm	$f > 0.5MHz$; $f < 10MHz$
Maximum output current of the regulator	I_{MAX} CC	60 ⁵⁾	-	-	mA	Normal RUN mode
Startup time	t_{STR} CC	-	500	1000	μs	Normal RUN mode
External V_{IN} supply ramp ⁶⁾	dV_{in}/dt SR	-	1	-	V/ms	
Ripple on Output Voltage	ΔV_{OUTTC} CC	-	-	33	mV	$V_{EXT} \geq 2.97V$; $V_{EXT} \leq 5.5V$; $I_{OUTTC} \geq 10mA$; $I_{OUTTC} \leq 60mA$; $\Delta V_{OUTTC} = (\text{peak to peak ripple} / 2)$
Load step response ⁷⁾	dV_{out}/dI_{out} CC	-165	-	-	mV	Normal RUN mode; $dI=10$ to $60mA$; $dt=20ns$; $T_{settle}=20us$
		-	-	165	mV	Normal RUN mode; $dI=60$ to $10mA$; $dt=20ns$; $T_{settle}=20us$
		-180	-	-	mV	Low voltage cranking mode; $dI=10$ to $50mA$; $dt=20ns$; $T_{settle}=20us$
		-	-	180	mV	Low voltage cranking mode; $dI=50$ to $10mA$; $dt=20ns$; $T_{settle}=20us$

Table 3-31 EVR33 LDO (cont'd)

Parameter	Symbol	Values			Unit	Note / Test Condition
		Min.	Typ.	Max.		
Line step response	dV_{out}/dV_{in} CC	-	-	40	mV	$dV_{in}/dT=1V/ms$; $dV=3.6$ to $5V$; $I_{MAX}=60mA$; ΔV_{OUTTC} is included
		-40	-	-	mV	$dV_{in}/dT=1V/ms$; $dV=5$ to $3.6V$; $I_{MAX}=60mA$; ΔV_{OUTTC} is included
		-	-	280	mV	$dV_{in}/dT=50V/ms$; $dV=3.6$ to $5V$; $I_{MAX}=60mA$
		-165	-	-	mV	$dV_{in}/dT=50V/ms$; $dV=5$ to $3.6V$; $I_{MAX}=60mA$

- 1) A maximum pass device dropout voltage of 300mV is included in the minimum input voltage to ensure optimal pass device performance during normal operation.
- 2) VEXT Input voltage drop up to 2.97V leading to VDDP3 output voltage drop upto 2.6V can be tolerated if Flash is switched before to low performance mode.
- 3) No external inductive load permissible if EVR33 is used.
- 4) It is also recommended that the resistance of the supply trace from the pin to the EVR output capacitor is less than 100 mOhm. An additional decoupling capacitor of 100nF shall be located close to the pin before Cout.
- 5) IMAX is limited to 40 mA incase of Low voltage mode (cranking case) with on chip pass devices. In case EVR33 is not used, Injection current into 3.3V VDDP3 supply rail with active sink on 5V VEXT rail should be limited to 500 mA if during power sequencing 3.3V is supplied before 5V by external regulator.
- 6) EVR is robust against residual voltage ramp-up starting between 0 - 2.97 V. A VEXT voltage ramp range between 0.5V/min upto 120V/ms is covered in robustness validation. The generated voltage itself follows a soft ramp-up over the tSTR time to avoid overshoots.
- 7) Settling time is defined until output voltage is within +/-1% of the mean(VOUTT) of the individual device.

Table 3-32 Supply Monitors

Parameter	Symbol	Values			Unit	Note / Test Condition
		Min.	Typ.	Max.		
Primary Undervoltage Reset threshold for V_{DDP3} before trimming ¹⁾	V_{RST33} CC	-	-	3.00	V	by reset release before EVR trimming on supply ramp-up
Primary undervoltage reset threshold for V_{DD} before trimming	V_{RSTC} CC	-	-	1.138	V	by reset release before trimming on supply ramp-up including 2 LSB voltage Hysteresis
V_{EXT} primary undervoltage monitor accuracy after trimming ²⁾	$V_{EXTPRIUV}$ CC	2.86	2.92	2.97	V	V_{EXT} = Undervoltage cold PORST Primary Monitor Threshold
V_{DDP3} primary undervoltage monitor accuracy after trimming ²⁾	$V_{DDP3PRIUV}$ CC	2.86 ³⁾	2.90	2.97	V	VDDP3 = Undervoltage cold PORST Primary Monitor Threshold
V_{DD} primary undervoltage monitor accuracy after trimming ²⁾	$V_{DDPRIUV}$ CC	1.08 ³⁾	1.105	1.125	V	VDD = Undervoltage cold PORST Primary Monitor Threshold

Table 3-32 Supply Monitors (cont'd)

Parameter	Symbol	Values			Unit	Note / Test Condition
		Min.	Typ.	Max.		
EVR primary monitor measurement latency for a new supply value	t_{PRIUV} CC	-	-	300	ns	The supply ramp / line jump slope is limited to 50V/ms for V_{EXT} , V_{DDP3} and V_{DD} rails.
V_{EXT} , V_{DDM} & V_{EVRSB} secondary supply monitor accuracy after trimming ^{4) 5)}	V_{EXTMON} CC	3.2	3.3	3.4	V	SWDxxVAL, VDDMxxVAL & SBxxVAL monitoring threshold=3.3V=90h(OV,UV). EVRMONFILT.SWDFI L=1.
		4.5	4.6	4.7	V	SWDxxVAL, VDDMxxVAL & SBxxVAL monitoring threshold=4.6V=C8h(UV)/C9h(OV). EVRMONFILT.SWDFI L=1
		5.3	5.4	5.5	V	SWDxxVAL, VDDMxxVAL & SBxxVAL monitoring threshold=5.4V=EAh(UV)/ECh(OV). EVRMONFILT.SWDFI L=1
		4.9	5.0	5.1	V	SWDxxVAL, VDDMxxVAL & SBxxVAL monitoring threshold=5V=D9h(UV)/DAh(OV). EVRMONFILT.SWDFI L=1

Table 3-32 Supply Monitors (cont'd)

Parameter	Symbol	Values			Unit	Note / Test Condition
		Min.	Typ.	Max.		
V_{DDP3} secondary supply monitor accuracy after trimming ⁵⁾	$V_{DDP3MON}$ CC	2.97	3.035	3.1	V	EVR33xxVAL monitoring threshold=3.035V=CBh(UV)/CCh(OV). EVRMONFILT.EVR33 FIL = 3.
		3.235	3.30	3.365	V	EVR33xxVAL monitoring threshold=3.3V=DDh(OV,UV). EVRMONFILT.EVR33 FIL = 3.
		3.5	3.565	3.63	V	EVR33xxVAL monitoring threshold=3.565V=EEh(UV)/EFh(OV). EVRMONFILT.EVR33 FIL = 3.
V_{DD} & V_{DDPD} secondary supply monitor accuracy after trimming ⁵⁾	V_{DDMON} CC	1.125	1.15	1.175	V	EVRCxxVAL & PRExxVAL monitoring threshold=1.15V=C7h(UV)/C8h(OV). EVRMONFILT.EVRCFIL = 1.
		1.225	1.25	1.275	V	EVRCxxVAL & PRExxVAL monitoring threshold=1.25V=D9h(OV,UV). EVRMONFILT.EVRCFIL = 1.
		1.325	1.35	1.375	V	EVRCxxVAL & PRExxVAL monitoring threshold=1.35V=EAh(UV)/EBh(OV). EVRMONFILT.EVRCFIL = 1.
V_{EXT} LVD Primary undervoltage reset Monitor threshold	$V_{LVDRST5}$ CC	2.3	-	2.72	V	Power-down
		2.4	-	2.75	V	Power-up
V_{EVRSB} LVD Primary undervoltage reset Monitor threshold	$V_{LVDRSTSB}$ CC	2.18	-	2.47	V	Power-down
		2.21	-	2.5	V	Power-up
V_{EXT} and V_{EVRSB} PBIST primary overvoltage Monitor threshold	V_{PBIST5} CC	5.63	-	-	V	

Table 3-32 Supply Monitors (cont'd)

Parameter	Symbol	Values			Unit	Note / Test Condition
		Min.	Typ.	Max.		
Primary undervoltage reset threshold for V_{EXT} before trimming	V_{RST5} CC	-	-	3.0	V	by last cold PORST release on supply ramp-up including voltage hysteresis.
EVR secondary monitor measurement latency for all 6 supply rails	t_{MON} CC	-	-	3.2	μ s	HPOSC and SHPBG bandgap trimmed. Filter inactive.

- 1) The reset release on supply ramp-up is delayed by a time duration 20-40 μ s after reaching undervoltage reset threshold and by a voltage hysteresis of 1.5% above the undervoltage reset limit. These mechanisms serve as hysteresis to avoid multiple consecutive cold PORST events during slow supply ramp-ups owing to voltage drop/current jumps when reset is released. The reset limit of 2,97V at pin is for the case with 3.3V generated internally from EVR33. In case the 3.3V supply is provided externally, the bondwire drop will cause a reset at a higher voltage of 3.0V at the VDDP3 pin.
- 2) The monitor tolerances constitute the inherent variation of the band gap and ADC over process, voltage and temperature operational ranges. The $V_{xxPRIUV}$ parameters are device individually tested in production with +-1% tolerance about the $V_{xxPRIUV}$ limits. All voltages are measured on pins.
- 3) $VRST_{xx}$ parameters are relevant only for the first cold PORST release. Later the reset levels are trimmed by the Firmware and reflected as $V_{xxPRIUV}$ parameters before device is used with full performance. The cold PORST is released with a voltage hysteresis on all the primary monitors to avoid consecutive PORST toggling behavior.
- 4) In case the application is using 3.3V single supply (Single Supply mode (e), i.e. V_{EXT} and VDDP3 are shorted together), it is recommended to use secondary supply monitoring on channel VDDP3, because of the better accuracy of parameter VDDP3MON.
- 5) To monitor voltage level not provided in conditions the values for OV and UV thresholds can be generated by a linear interpolation or extrapolation based on the given points.

Table 3-33 Supply Ramp

Parameter	Symbol	Values			Unit	Note / Test Condition
		Min.	Typ.	Max.		
External V_{EXT} & V_{EVRSB} supply ramp-up and ramp-down slope 1) 2) 3)	dV_{EXT}/dt SR	8.3E-6	1	100	V/ms	
External V_{DDP3} supply ramp-up and ramp-down slope ¹⁾³⁾	dV_{DDP3}/dt SR	8.3E-6	1	100	V/ms	
External V_{DD} supply ramp-up and ramp-down slope ¹⁾³⁾	dV_{DD}/dt SR	8.3E-6	1	100	V/ms	
External V_{DDM} supply ramp-up and ramp-down slope ¹⁾³⁾	dV_{DDM}/dt SR	8.3E-6	1	100	V/ms	

- 1) The device is robust against residual voltage ramp-up starting between 0 - 2.97 V for V_{EXT} , V_{EVRSB} , VDDP3 and VDDM and 0-1 V for VDD. A voltage ramp range between 0.5V/min upto 120V/ms is covered in robustness validation.
- 2) Also valid in case EVR33 or EVRC is used. The generated voltage itself follows a soft ramp-up over the tSTR time to avoid overshoots.
- 3) The slope is defined as the maximal tangential slope between 0% to 100% voltage level. Actual waveform may not represent the specification.

Up to 1000000 power-cycles, matching the limits defined in the table 'Supply Ramp', are allowed for TC39x, without any restriction to reliability.

Table 3-34 EVRC SMPS

Parameter	Symbol	Values			Unit	Note / Test Condition
		Min.	Typ.	Max.		
Input V_{EXT} Voltage range	V_{IN} SR	2.97	-	5.5	V	Start-up V_{EXT} voltage > 2.6 V
SMPS regulator output voltage range including load/line regulation and aging	V_{DDDC} CC	1.125	-	1.375	V	$V_{EXT} \geq 2.97V$; $V_{EXT} \leq 5.5V$; $I_{DDDC} \geq 1mA$; $I_{DDDC} \leq 1.5A$; untrimmed
SMPS regulator static voltage output accuracy after trimming without dynamic load/line regulation.	V_{DDDCCT} CC	1.225	1.25	1.275	V	$V_{EXT} \geq 2.97V$; $V_{EXT} \leq 5.5V$; $I_{DDDC} \geq 1mA$; $I_{DDDC} \leq 1.5A$
Programmable switching frequency	f_{DCDC} SR	1.6	1.82	2.0	MHz	Start-up frequency switches from 500 KHz in open loop operation to 1.82 MHz in closed loop Operation.
		-	0.8	-	MHz	Start-up frequency switches from 500 KHz in open loop operation to 1.82 MHz in closed loop Operation. 0.8 MHz to be set in SW.
Startup time	t_{STRDC} CC	-	-	900	μs	SMPS Start-up Mode. It is defined between $V_{EXTPRIUV}$ reset threshold till PORST release, on condition that all other PORST requirements were released before. $I_{START} < 700mA$.
Switching frequency modulation spread	Δf_{DCSPR} CC	-	1.8%	-	MHz	
Maximum ripple at I_{MAX}	ΔV_{DDDC} CC	-	-	16	mV	$V_{EXT} \geq 2.97V$; $V_{EXT} \leq 5.5V$; $I_{DDDC} \geq 300mA$; $I_{DDDC} \leq 1.5A$; $\Delta V_{DDDC} = (\text{Peak to Peak ripple} / 2)$
No load current consumption of SMPS regulator	I_{DCNL} CC	-	15	19	mA	$f_{DCDC} = 1.82MHz$; $I_{DDDC} = I_{SLEEP}$; $V_{EXT} > 2.97 V$; $T_J = 25^\circ C$
		-	5	-	mA	LPM mode; $I_{DDDC} = I_{SLEEP}$; $V_{EXT} > 2.97 V$; $T_J = 25^\circ C$

Table 3-34 EVRC SMPS (cont'd)

Parameter	Symbol	Values			Unit	Note / Test Condition
		Min.	Typ.	Max.		
SMPS regulator load transient response	$dV_{DDDC} / dl_{OUT} CC$	-50	-	87	mV	$dI < -450mA$; $I_{DDDC}=500-1500mA$; $t_r=0.1\mu s$; $t_f=0.1\mu s$; $V_{DDDC}=1.25V$; $T_{settle}=100\mu s$
		-100	-	145	mV	$dI < -700mA$; $I_{DDDC}=750-1500mA$; $t_r=0.1\mu s$; $t_f=0.1\mu s$; $V_{DDDC}=1.25V$; $T_{settle}=100\mu s$
		-26	-	26	mV	$dI < 100mA$; $I_{DDDC}=50-1500mA$; $t_r=0.1\mu s$; $t_f=0.1\mu s$; $V_{DDDC}=1.25V$; $T_{settle}=20\mu s$;
Maximum output current	$I_{MAX} CC$	100	-	-	mA	LPM mode. Typical current in LPM Mode = I_{SLEEP}
		1.5	-	-	A	limited by thermal constraints and component choice
SMPS regulator line transient response	$dV_{DDDC} / dV_{IN} CC$	-75	-	75	mV	$dV/dT=120V/ms$; $dV < 2.97 - 5.5V$; $I_{DDDC}=50-1500mA$;
		-12.5	-	12.5	mV	$dV/dT=1V/ms$; $dV < 2.97 - 5.5V$; $I_{DDDC}=50-1500mA$;
SMPS regulator efficiency	$\eta_{DC} CC$	-	80	-	%	$V_{IN}=3.3V$; $I_{DDDC}=1500mA$; $f_{DCDC}=1.82MHz$
		-	75	-	%	$V_{IN}=5V$; $I_{DDDC}=1500mA$; $f_{DCDC}=1.82MHz$
Input Synchronisation frequency	$f_{DCDCSYNC} SR$	1.6	1.82	2.0	MHz	

Table 3-35 EVRC SMPS External components

Parameter	Symbol	Values			Unit	Note / Test Condition
		Min.	Typ.	Max.		
External output capacitor value ¹⁾	$C_{OUT} SR$	20.8	32	43.2	μF	$I_{DDDC}=1.5A$; $f_{DDDC} = 0.8MHz$
		15.4	22	29.7	μF	$I_{DDDC}=1.5A$; $f_{DDDC} = 1.82MHz$

Table 3-35 EVRC SMPS External components (cont'd)

Parameter	Symbol	Values			Unit	Note / Test Condition
		Min.	Typ.	Max.		
External output capacitor ESR	C_{OUT_ESR} SR	-	-	50	mOhm	$f \geq 0.5\text{MHz}$; $f \leq 10\text{MHz}$
		-	-	100	Ohm	$f = 10\text{Hz}$
External input capacitor value ¹⁾	C_{IN} SR	6.5	10	13.5	μF	$I_{DDDC} = 1.5\text{A}$
External input capacitor ESR	C_{IN_ESR} SR	-	-	50	mOhm	$f \geq 0.5\text{MHz}$; $f \leq 10\text{MHz}$
		-	-	100	Ohm	$f = 100\text{Hz}$
External inductor value	L_{DC} SR	3.29	4.7	6.11		$f_{DCDC} = 0.8\text{MHz}$
		2.31	3.3	4.29	μH	$f_{DCDC} = 1.82\text{MHz}$
External inductor DCR	L_{DC_DCR} SR	-	-	0.2	Ohm	
P + N-channel MOSFET logic level	V_{LL} SR	-	-	2.5	V	
P + N-channel MOSFET drain source breakdown voltage	$ V_{BR_DS} $ SR	+7	-	-	V	NMOS - $V_{GS} = 0$.
		-	-	-7	V	PMOS - $V_{GS} = 0$.
P + N-channel MOSFET drain source ON-state resistance	R_{ON} SR	-	150	-	mOhm	$I_{DDDC} = 1.5\text{A}$; $ V_{GS} = 2.5\text{V}$; $T_A = 25^\circ\text{C}$
P + N-channel MOSFET Gate Charge	Q_G SR	-	-	8	nC	$I_{DDDC} = 1.5\text{A}$; NMOS- $ V_{GS} = 5\text{V}$; 1.5A pulsed drain current
		-8	-	-	nC	$I_{DDDC} = 1.5\text{A}$; PMOS- $ V_{GS} = 5\text{V}$; 1.5A pulsed drain current
External Inductor Saturation Current Margin	ΔI_{SAT} SR	400	-	-	mA	The saturation current of the coil must be larger than $I_{DDDC} + \Delta I_{SAT}$
P + N-channel MOSFET Gate threshold voltage	V_{Gsth} SR	-	1	-	V	NMOS
		-	-1	-	V	PMOS
N-channel MOSFET reverse diode forward voltage	V_{RDN} SR	-	0.8	-	V	

1) Capacitor min-max range represent typical +35% tolerance including DC bias effect. The trace resistance from the capacitor to the supply or ground rail should be limited to 25 mOhm.

3.16 System Phase Locked Loop (SYS_PLL)

Table 3-36 PLL System

Parameter	Symbol	Values			Unit	Note / Test Condition
		Min.	Typ.	Max.		
DCO Input frequency range	f_{REF} CC	10	-	40	MHz	
Modulation Amplitude	MA CC	0	-	2	%	
Peak Period jitter	DP CC	-200	-	200	ps	without modulation (PLL output frequency)
Peak Accumulated Jitter	D_{PP} CC	-5	-	5	ns	without modulation
Total long term jitter	J_{TOT} CC	-	-	11.5	ns	including modulation; MA 1.25%; f_{REF} 20MHz
System frequency deviation	f_{SYSD} CC	-	-	0.01	%	with active modulation
DCO frequency range	f_{DCO} CC	400	-	800	MHz	
PLL lock-in time	t_L CC	4	-	100	μ s	

Note: The specified PLL jitter values are valid if the capacitive load per pin does not exceed $C_L = 20$ pF with the maximum driver and sharp edge.

Note: The maximum peak-to-peak noise on the power supply voltage, is limited to a peak-to-peak voltage of $V_{PP} = 100$ mV for noise frequencies below 300 KHz and $V_{PP} = 40$ mV for noise frequencies above 300 KHz. These conditions can be achieved by appropriate blocking of the supply voltage as near as possible to the supply pins and using PCB supply and ground planes.

3.17 Peripheral Phase Locked Loop (PER_PLL)

Table 3-37 PLL Peripheral

Parameter	Symbol	Values			Unit	Note / Test Condition
		Min.	Typ.	Max.		
Peak Accumulated jitter at SYSCLK pin	D_{PP} CC	-1000	-	1000	ps	Peak only
Peak accumulated jitter	D_{PPI} CC	-700	-	700	ps	Peak only
RMS Accumulated jitter	D_{RMS} CC	-100	-	100	ps	measured over 1 μ s; $f_{REF} = 20$ MHz and $f_{DCO} = 640$ MHz or $f_{REF} = 25$ MHz and $f_{DCO} = 800$ MHz
Peak Period jitter	DP CC	-200	-	200	ps	$f_{DCO} = 640$ MHz or $f_{DCO} = 800$ MHz
Absolute RMS jitter (PLL out)	J_{ABS10} CC	-125	-	125	ps	$f_{REF} = 10$ MHz; $f_{DCO} = 640$ MHz
Absolute RMS jitter (PLL out)	J_{ABS20} CC	-85	-	85	ps	$f_{REF} = 20$ MHz; $f_{DCO} = 640$ MHz
Absolute RMS jitter (PLL out)	J_{ABS25} CC	-85	-	85	ps	$f_{REF} = 25$ MHz; $f_{DCO} = 800$ MHz
DCO frequency range	f_{DCO} CC	400	-	800	MHz	
DCO input frequency range	f_{REF} CC	10	-	40	MHz	
PLL lock-in time	t_L CC	4	-	100	μ s	

Note: The specified PLL jitter values are valid if the capacitive load per pin does not exceed $C_L = 20$ pF with the maximum driver and sharp edge.

Note: The maximum peak-to-peak noise on the power supply voltage, is limited to a peak-to-peak voltage of $V_{PP} = 100$ mV for noise frequencies below 300 KHz and $V_{PP} = 40$ mV for noise frequencies above 300 KHz. These conditions can be achieved by appropriate blocking of the supply voltage as near as possible to the supply pins and using PCB supply and ground planes.

3.18 AC Specifications

All AC parameters are specified for the complete operating range defined in [Chapter 3.4](#) unless otherwise noted in column Note / Test Condition.

Unless otherwise noted in the figures the timings are defined with the following guidelines:

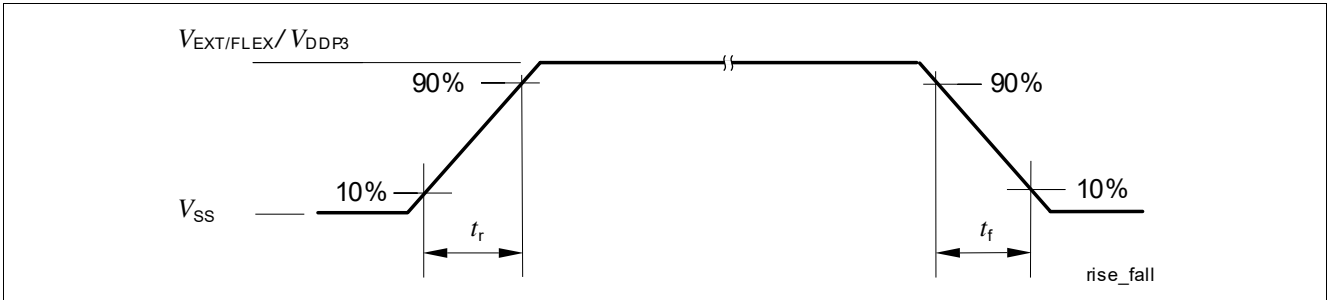


Figure 3-8 Definition of rise / fall times

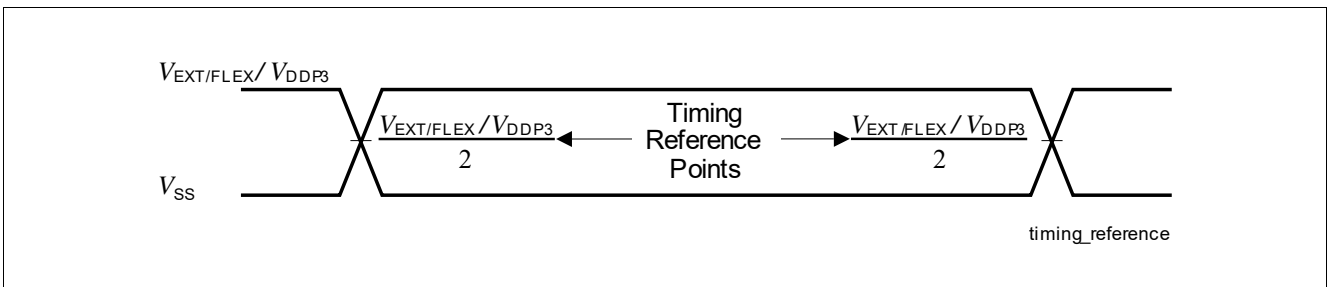


Figure 3-9 Time Reference Point Definition

3.19 JTAG Parameters

The following parameters are applicable for communication through the JTAG debug interface. The JTAG module is fully compliant with IEEE1149.1-2000.

Table 3-38 JTAG

Parameter	Symbol	Values			Unit	Note / Test Condition
		Min.	Typ.	Max.		
TCK clock period	t_1 SR	50	-	-	ns	
TCK high time	t_2 SR	10	-	-	ns	
TCK low time	t_3 SR	10	-	-	ns	
TCK clock rise time	t_4 SR	-	-	4	ns	
TCK clock fall time	t_5 SR	-	-	4	ns	
TDI/TMS setup to TCK rising edge	t_6 SR	6.0	-	-	ns	
TDI/TMS hold after TCK rising edge	t_7 SR	6.0	-	-	ns	
TDO valid after TCK falling edge (propagation delay)	t_8 CC	3.0	-	-	ns	$C_L \leq 20\text{pF}$
		-	-	25	ns	$C_L \leq 50\text{pF}$
TDO hold after TCK falling edge	t_{18} CC	2	-	-	ns	
TDO high impedance to valid from TCK falling edge	t_9 CC	-	-	25	ns	$C_L \leq 50\text{pF}$
TDO valid output to high impedance from TCK falling edge	t_{10} CC	-	-	25	ns	$C_L \leq 50\text{pF}$

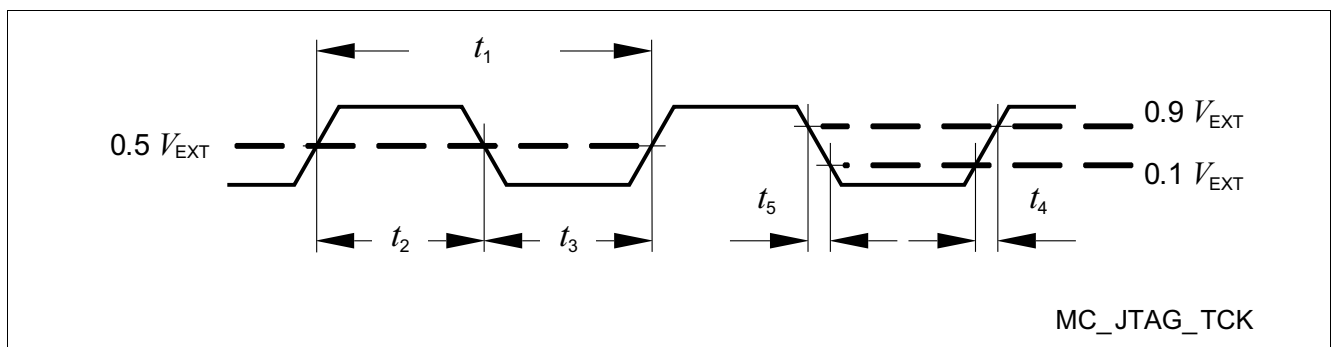


Figure 3-10 Test Clock Timing (TCK)

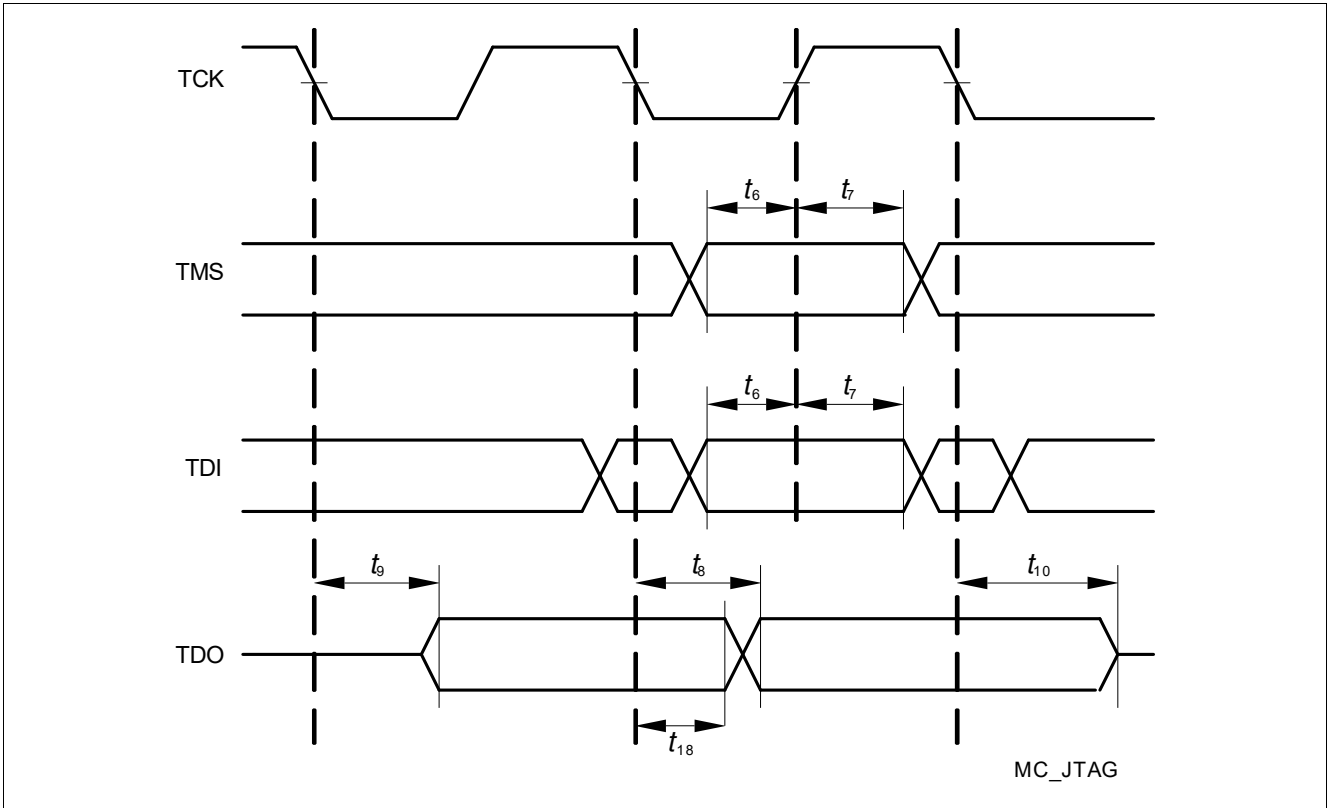


Figure 3-11 JTAG Timing

3.20 DAP Parameters

The following parameters are applicable for communication through the DAP debug interface.

Table 3-39 DAP

Parameter	Symbol	Values			Unit	Note / Test Condition
		Min.	Typ.	Max.		
DAP0 clock rise time	t_{14} SR	-	-	1	ns	f=160MHz
		-	-	4	ns	f=40MHz
		-	-	2	ns	f=80MHz
DAP0 clock fall time	t_{15} SR	-	-	1	ns	f=160MHz
		-	-	4	ns	f=40MHz
		-	-	2	ns	f=80MHz
DAP1 setup to DAP0 rising edge	t_{16} SR	4	-	-	ns	
		5	-	-	ns	f=40MHz
DAP1 hold after DAP0 rising edge	t_{17} SR	2	-	-	ns	
DAP1 valid per DAP0 clock period	t_{19} CC	4	-	-	ns	$C_L=20\text{pF}$; f=160MHz
		8	-	-	ns	$C_L=20\text{pF}$; f=80MHz
		10	-	-	ns	$C_L=50\text{pF}$; f=40MHz
DAP0 high time	t_{12} SR	2	-	-	ns	
DAP0 low time	t_{13} SR	2	-	-	ns	
DAP0 clock period	t_{11} SR	6.25	-	-	ns	

Table 3-40 SCR DAP

Parameter	Symbol	Values			Unit	Note / Test Condition
		Min.	Typ.	Max.		
DAP0 clock rise time	t_{14} SR	-	-	8	ns	f=20MHz
DAP0 clock fall time	t_{15} SR	-	-	8	ns	f=20MHz
DAP1 setup to DAP0 rising edge	t_{16} SR	10	-	-	ns	
DAP1 hold after DAP0 rising edge	t_{17} SR	10	-	-	ns	
DAP1 valid per DAP0 clock period	t_{19} CC	30	-	-	ns	$C_L=20\text{pF}$; f=20MHz
DAP0 high time	t_{12} SR	15	-	-	ns	
DAP0 low time	t_{13} SR	15	-	-	ns	
DAP0 clock period	t_{11} SR	50	-	-	ns	

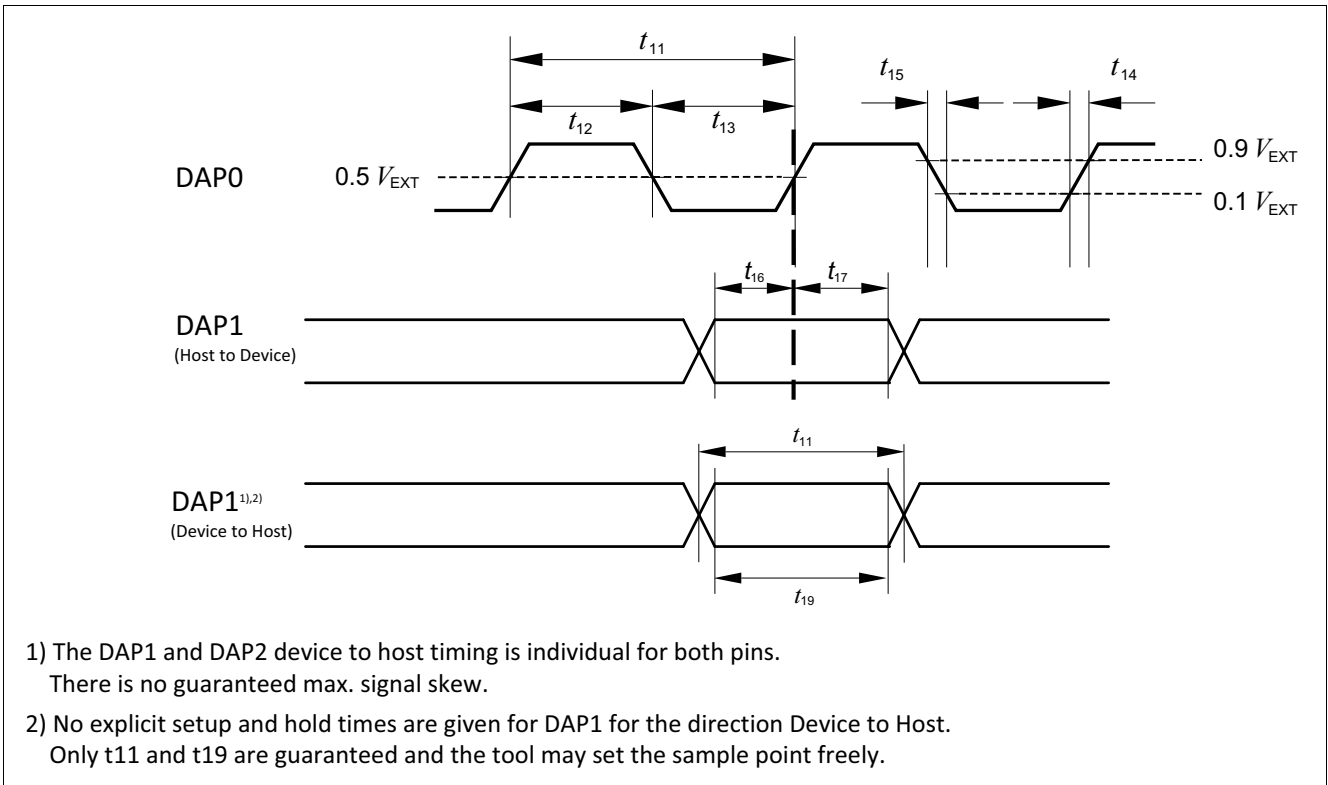


Figure 3-12 DAP Timing

Note: The DAP1 and DAP2 device to host timing is individual for both pins. There is no guaranteed max. signal skew.

3.21 ASCLIN SPI Master Timing

This section defines the timings for the ASCLIN in the TC39x.

Note: Pad asymmetry is already included in the following timings.

Table 3-41 Master Mode strong sharp (ss) output pads

Parameter	Symbol	Values			Unit	Note / Test Condition
		Min.	Typ.	Max.		
ASCLKO clock period	t_{50} CC	20	-	-	ns	$C_L=25\text{pF}$
Deviation from ideal duty cycle	t_{500} CC	-2	-	2	ns	$C_L=25\text{pF}$
MTSR delay from ASCLKO shifting edge	t_{51} CC	-3.5	-	3.5	ns	$C_L=25\text{pF}$
ASLSON delay from the first ASCLKO edge	t_{510} CC	-3	-	3.5	ns	$C_L=25\text{pF}$
MRST setup to ASCLKO latching edge	t_{52} SR	25	-	-	ns	$C_L=25\text{pF}$
MRST hold from ASCLKO latching edge	t_{53} SR	-2	-	-	ns	$C_L=25\text{pF}$

Table 3-42 Master Mode strong medium (sm) output pads

Parameter	Symbol	Values			Unit	Note / Test Condition
		Min.	Typ.	Max.		
ASCLKO clock period	t_{50} CC	50	-	-	ns	$C_L=50\text{pF}$
Deviation from ideal duty cycle	t_{500} CC	-5	-	5	ns	$C_L=50\text{pF}$
MTSR delay from ASCLKO shifting edge	t_{51} CC	-7	-	7	ns	$C_L=50\text{pF}$
ASLSON delay from the first ASCLKO edge	t_{510} CC	-7	-	7	ns	$C_L=50\text{pF}$
MRST setup to ASCLKO latching edge	t_{52} SR	35	-	-	ns	$C_L=50\text{pF}$
MRST hold from ASCLKO latching edge	t_{53} SR	-5	-	-	ns	$C_L=50\text{pF}$

Table 3-43 Master Mode medium (m) output pads

Parameter	Symbol	Values			Unit	Note / Test Condition
		Min.	Typ.	Max.		
ASCLKO clock period	t_{50} CC	160	-	-	ns	$C_L=50\text{pF}$
Deviation from ideal duty cycle	t_{500} CC	-10	-	10	ns	$C_L=50\text{pF}$
MTSR delay from ASCLKO shifting edge	t_{51} CC	-20	-	20	ns	$C_L=50\text{pF}$
ASLSON delay from the first ASCLKO edge	t_{510} CC	-20	-	20	ns	$C_L=50\text{pF}$

Electrical Specification ASCLIN SPI Master Timing

Table 3-43 Master Mode medium (m) output pads (cont'd)

Parameter	Symbol	Values			Unit	Note / Test Condition
		Min.	Typ.	Max.		
MRST setup to ASCLKO latching edge	t_{52} SR	80	-	-	ns	$C_L=50pF$
MRST hold from ASCLKO latching edge	t_{53} SR	-15	-	-	ns	$C_L=50pF$

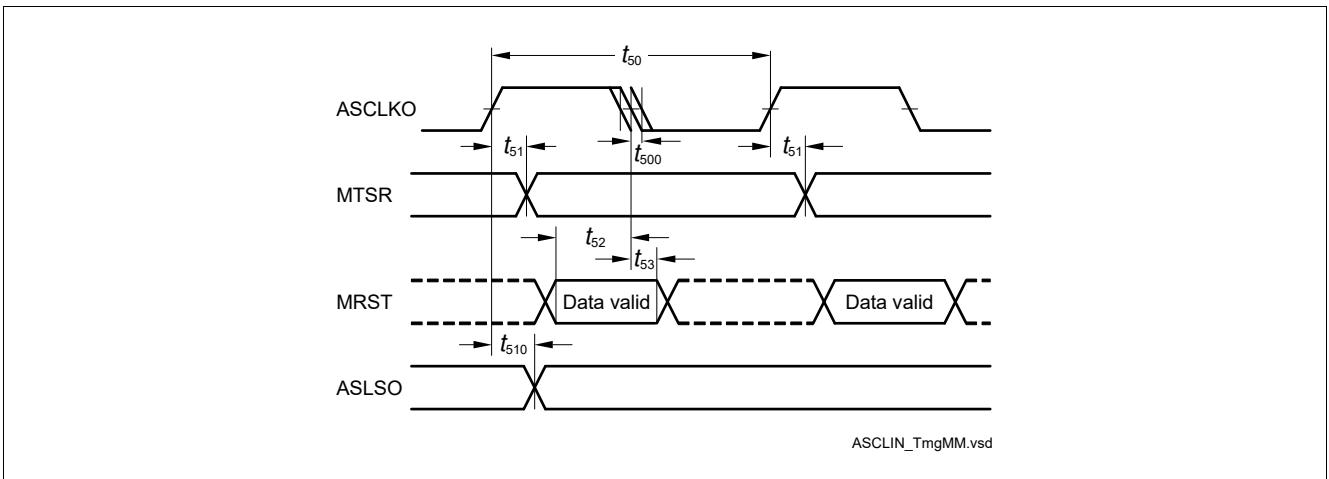


Figure 3-13 ASCLIN SPI Master Timing

3.22 QSPI Timings, Master and Slave Mode

This section defines the timings for the QSPI in the TC39x.

It is assumed that SCLKO, MTSR, and SLSO pads have the same pad settings:

Note: Pad asymmetry is already included in the following timings.

Table 3-44 Master Mode Timing, LVDS output pads for data and clock

Parameter	Symbol	Values			Unit	Note / Test Condition
		Min.	Typ.	Max.		
SCLKO clock period	t_{50} CC	20 ¹⁾	-	-	ns	CL=25pF
Deviation from the ideal duty cycle	t_{500} CC	-1 ¹⁾	-	1 ¹⁾	ns	CL=25pF
MTSR delay from SCLKO shifting edge	t_{51} CC	-3 ¹⁾	-	4 ¹⁾	ns	CL=25pF
SLSO on deviation from the ideal programmed position	t_{510} CC	-4 ¹⁾	-	5.5 ¹⁾	ns	$C_L=25\text{pF}$, driver strength ss
		-10 ¹⁾	-	10 ¹⁾	ns	$C_L=25\text{pF}$, driver strength sm
		-30 ¹⁾	-	30 ¹⁾	ns	$C_L=25\text{pF}$, driver strength m
MRST setup to SCLK latching edge	t_{52} SR	18 ¹⁾	-	-	ns	CL=25pF; valid for LVDS Input pads of QSPI2 only
		19.5 ¹⁾	-	-	ns	CL=25pF; valid for LVDS Input pads of QSPI4 only
MRST hold from SCLK latching edge	t_{53} SR	-1 ¹⁾	-	-	ns	CL=25pF; valid for LVDS Input pads only

1) The load ($C_L=25\text{pF}$) defined in the condition list is a load definition for the single end signal SLSO and does not intend to add an additional load inside the differential signal lines. For single end signals the load definition defines the max length of the signal on the PCB layout. For the LVDS pads the IEEE Std 1596.3-1996 load definitions apply.

Table 3-45 Master Mode Strong Sharp (ss) output pads

Parameter	Symbol	Values			Unit	Note / Test Condition
		Min.	Typ.	Max.		
SCLKO clock period	t_{50} CC	50	-	-	ns	CL=25pF
Deviation from the ideal duty cycle	t_{500} CC	-2	-	2	ns	CL=25pF
MTSR delay from SCLKO shifting edge	t_{51} CC	-4	-	5	ns	CL=25pF
SLSO on deviation from the ideal programmed position	t_{510} CC	-4	-	5	ns	CL=25pF
MRST setup to SCLK latching edge	t_{52} SR	25 ^{1) 2)}	-	-	ns	CL=25pF
MRST hold from SCLK latching edge	t_{53} SR	-2 ^{1) 2)}	-	-	ns	CL=25pF

Electrical Specification QSPI Timings, Master and Slave Mode

- 1) For compensation of the average on-chip delay the QSPI module provides the bit fields ECONz.A, B and C.
- 2) The setup and hold times are valid for both settings of the input pads thresholds: TTL and AL.

Table 3-46 Master Mode Strong Medium (sm) output pads

Parameter	Symbol	Values			Unit	Note / Test Condition
		Min.	Typ.	Max.		
SCLKO clock period	t_{50} CC	50	-	-	ns	CL=50pF
Deviation from the ideal duty cycle	t_{500} CC	-5	-	5	ns	CL=50pF
MTSR delay from SCLKO shifting edge	t_{51} CC	-7	-	7	ns	CL=50pF
SLSON deviation from the ideal programmed position	t_{510} CC	-7	-	7	ns	CL=50pF
MRST setup to SCLK latching edge	t_{52} SR	35 ^{1) 2)}	-	-	ns	CL=50pF
MRST hold from SCLK latching edge	t_{53} SR	-5 ¹⁾²⁾	-	-	ns	CL=50pF

- 1) For compensation of the average on-chip delay the QSPI module provides the bit fields ECONz.A, B and C.
- 2) The setup and hold times are valid for both settings of the input pads thresholds: TTL and AL.

Table 3-47 Master Mode Medium (m) output pads

Parameter	Symbol	Values			Unit	Note / Test Condition
		Min.	Typ.	Max.		
SCLKO clock period	t_{50} CC	160	-	-	ns	CL=50pF
Deviation from the ideal duty cycle	t_{500} CC	-10	-	10	ns	CL=50pF
MTSR delay from SCLKO shifting edge	t_{51} CC	-20	-	20	ns	CL=50pF
SLSON deviation from the ideal programmed position	t_{510} CC	-20	-	20	ns	CL=50pF
MRST setup to SCLK latching edge	t_{52} SR	80 ^{1) 2)}	-	-	ns	CL=50pF
MRST hold from SCLK latching edge	t_{53} SR	-15 ¹⁾²⁾	-	-	ns	CL=50pF
		-13 ¹⁾²⁾	-	-	ns	CL=50pF; SCR SSC

- 1) For compensation of the average on-chip delay the QSPI module provides the bit fields ECONz.A, B and C.
- 2) The setup and hold times are valid for both settings of the input pads thresholds: TTL and AL.

Table 3-48 Slave mode timing

Parameter	Symbol	Values			Unit	Note / Test Condition
		Min.	Typ.	Max.		
SCLK clock period	t_{54} SR	$4 \times T_{MAX}$	-	-	ns	
SCLK duty cycle	t_{55}/t_{54} SR	40	-	60	%	

Electrical Specification QSPI Timings, Master and Slave Mode

Table 3-48 Slave mode timing (cont'd)

Parameter	Symbol	Values			Unit	Note / Test Condition
		Min.	Typ.	Max.		
MTSR setup to SCLK latching edge	t_{56} SR	6	-	-	ns	Input Level AL
		6	-	-	ns	Input Level TTL
MTSR hold from SCLK latching edge	t_{57} SR	4	-	-	ns	Input Level AL
		6	-	-	ns	Input Level TTL
SLSI setup to first SCLK shift edge	t_{58} SR	4	-	-	ns	Input Level AL
		6	-	-	ns	Input Level TTL
SLSI hold from last SCLK latching edge	t_{59} SR	3	-	-	ns	Input Level AL
		6	-	-	ns	Input Level TTL
MRST delay from SCLK shift edge	t_{60} CC	5	-	35	ns	driver = strong edge = medium ; $C_L=50pF$
		2	-	24	ns	driver = strong edge = sharp ; $C_L=50pF$
		15	-	80	ns	medium driver ; $C_L=50pF$
		14	-	-	ns	medium driver ; $C_L=50pF$; SCR SSC

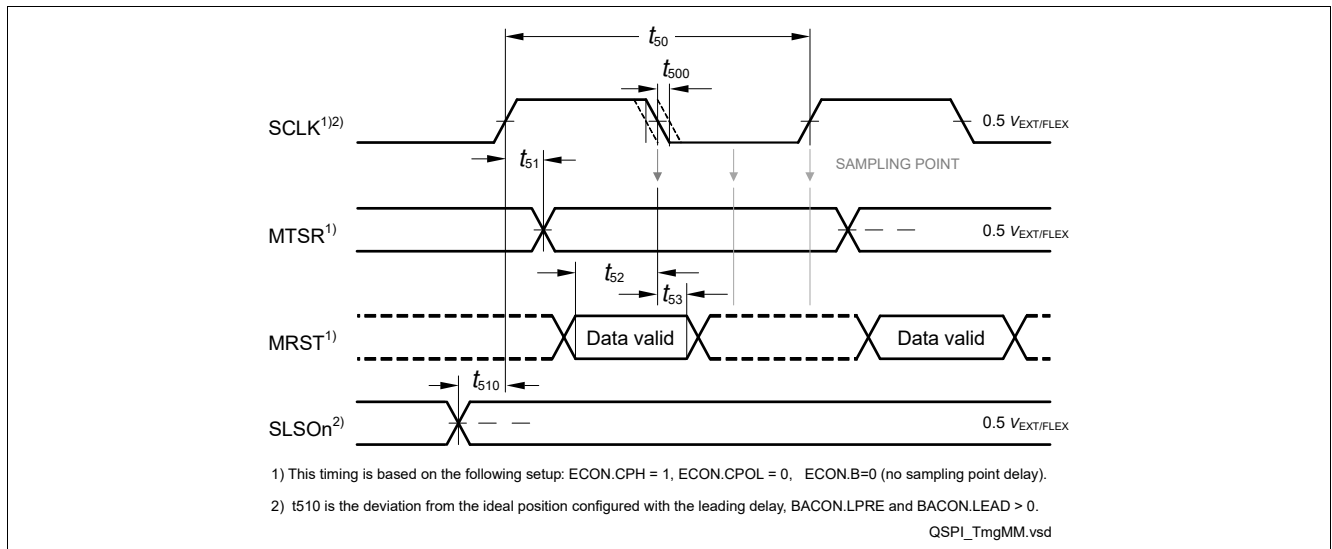


Figure 3-14 Master Mode Timing

Electrical Specification QSPI Timings, Master and Slave Mode

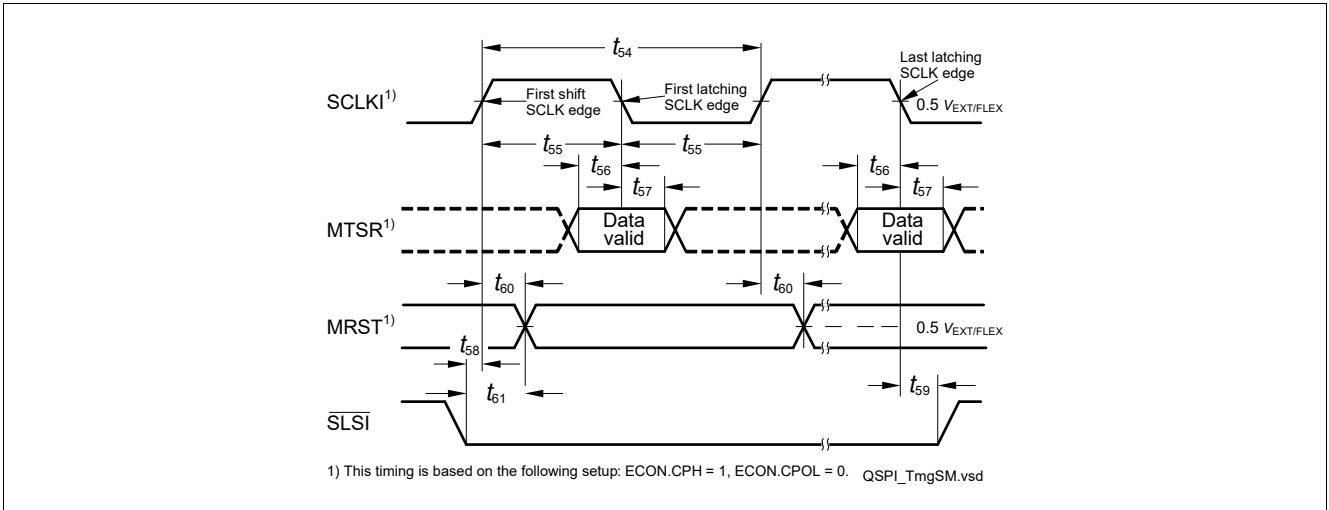


Figure 3-15 Slave Mode Timing

3.23 MSC Timing 5 V Operation

The following section defines the timings.

Note: Pad asymmetry is already included in the following timings.

Note: Load for LVDS pads are defined as differential loads in the following timings.

Table 3-49 LVDS clock/data (LVDS pads in LVDS mode) valid for 5V

Parameter	Symbol	Values			Unit	Note / Test Condition
		Min.	Typ.	Max.		
FCLPx clock period	t_{40} CC	$2 * T_A$ ^{1) 2) 3)}	-	-	ns	LVDS; $C_L=50$ pF
Deviation from ideal duty cycle	t_{400} CC	-1 ³⁾	-	1 ³⁾	ns	LVDS; $0 < C_L < 50$ pF
SOPx output delay	t_{44} CC	-3 ³⁾	-	3 ³⁾	ns	$C_L=50$ pF
ENx output delay	t_{45} CC	-4 ³⁾	-	5 ³⁾	ns	ss; $C_L=50$ pF; ABRA block bypassed
		-4 ³⁾	-	4 ³⁾	ns	ss; $C_L=50$ pF; ABRA block used
		-2 ³⁾	-	10 ³⁾	ns	sm; $C_L=50$ pF
		-30 ³⁾	-	30 ³⁾	ns	m; $C_L=50$ pF

1) T_A depends on the clock source selected for baud rate generation in the ABRA block of the MSC.

2) The capacitive load on the LVDS pins is differential, the capacitive load on the CMOS pins is single ended.

3) The load ($C_L=50$ pF) defined in the condition list is a load definition for the single end signal EN and does not intend to add an additional load inside the differential signal lines. For single end signals the load definition defines the max length of the signal on the PCB layout. For the LVDS pads the IEEE Std 1596.3-1996 load definitions apply.

Table 3-50 Strong sharp (ss) driver for clock/data valid for 5V

Parameter	Symbol	Values			Unit	Note / Test Condition
		Min.	Typ.	Max.		
FCLPx clock period	t_{40} CC	$2 * T_A$	-	-	ns	$C_L=50$ pF
Deviation from ideal duty cycle	t_{400} CC	-2	-	2	ns	$C_L=50$ pF
SOPx output delay	t_{44} CC	-4	-	3.5	ns	$C_L=50$ pF
ENx output delay	t_{45} CC	-4	-	3.5	ns	$C_L=50$ pF

Table 3-51 Strong medium (sm) driver for clock/data valid for 5V

Parameter	Symbol	Values			Unit	Note / Test Condition
		Min.	Typ.	Max.		
FCLPx clock period	t_{40} CC	$2 * T_A$	-	-	ns	$C_L=50$ pF
Deviation from ideal duty cycle	t_{400} CC	-5	-	5	ns	$C_L=50$ pF
SOPx output delay	t_{44} CC	-7	-	7	ns	$C_L=50$ pF
ENx output delay	t_{45} CC	-7	-	7	ns	$C_L=50$ pF

Electrical Specification MSC Timing 5 V Operation

Table 3-52 Medium (m) driver for clock/data valid for 5V

Parameter	Symbol	Values			Unit	Note / Test Condition
		Min.	Typ.	Max.		
FCLPx clock period	t_{40} CC	$2 * T_A$	-	-	ns	CL=50pF
Deviation from ideal duty cycle	t_{400} CC	-10	-	10	ns	CL=50pF
SOPx output delay	t_{44} CC	-20	-	20	ns	CL=50pF
ENx output delay	t_{45} CC	-20	-	20	ns	CL=50pF

Table 3-53 Upstream Interface

Parameter	Symbol	Values			Unit	Note / Test Condition
		Min.	Typ.	Max.		
SDI bit time	t_{46} SR	$8 * t_{MSC}$	-	-	ns	
SDI rise time	t_{48} SR	-	-	200	ns	
SDI fall time	t_{49} SR	-	-	200	ns	

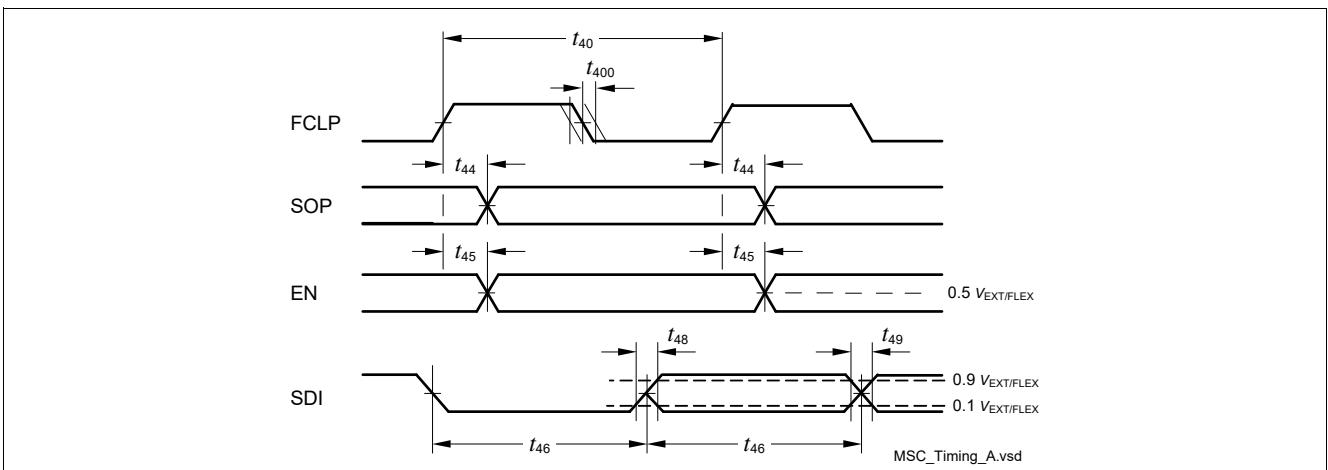


Figure 3-16 MSC Interface Timing

Note: The SOP data signal is sampled with the falling edge of FCLP in the target device.

3.24 Ethernet Interface (ETH) Characteristics

3.24.1 ETH Measurement Reference Points

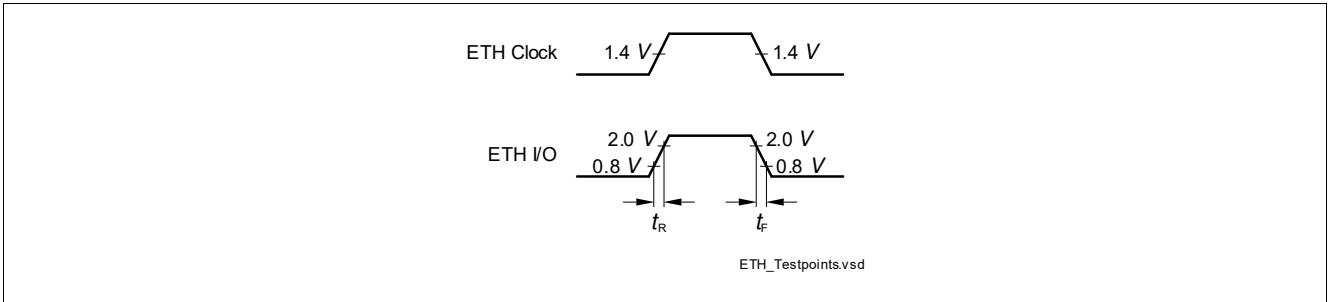


Figure 3-17 ETH Measurement Reference Points

3.24.2 ETH Management Signal Parameters (ETH_MDC, ETH_MDIO)

Table 3-54 ETH Management Signal Parameters valid for 3.3V

Parameter	Symbol	Values			Unit	Note / Test Condition
		Min.	Typ.	Max.		
ETH_MDC period	t_1 CC	400	-	-	ns	CL=25pF
ETH_MDC high time	t_2 CC	160	-	-	ns	CL=25pF
ETH_MDC low time	t_3 CC	160	-	-	ns	CL=25pF
ETH_MDIO setup time (output)	t_4 CC	10	-	-	ns	CL=25pF
ETH_MDIO hold time (output)	t_5 CC	10	-	-	ns	CL=25pF
ETH_MDIO data valid (input)	t_6 SR	0	-	300	ns	CL=25pF

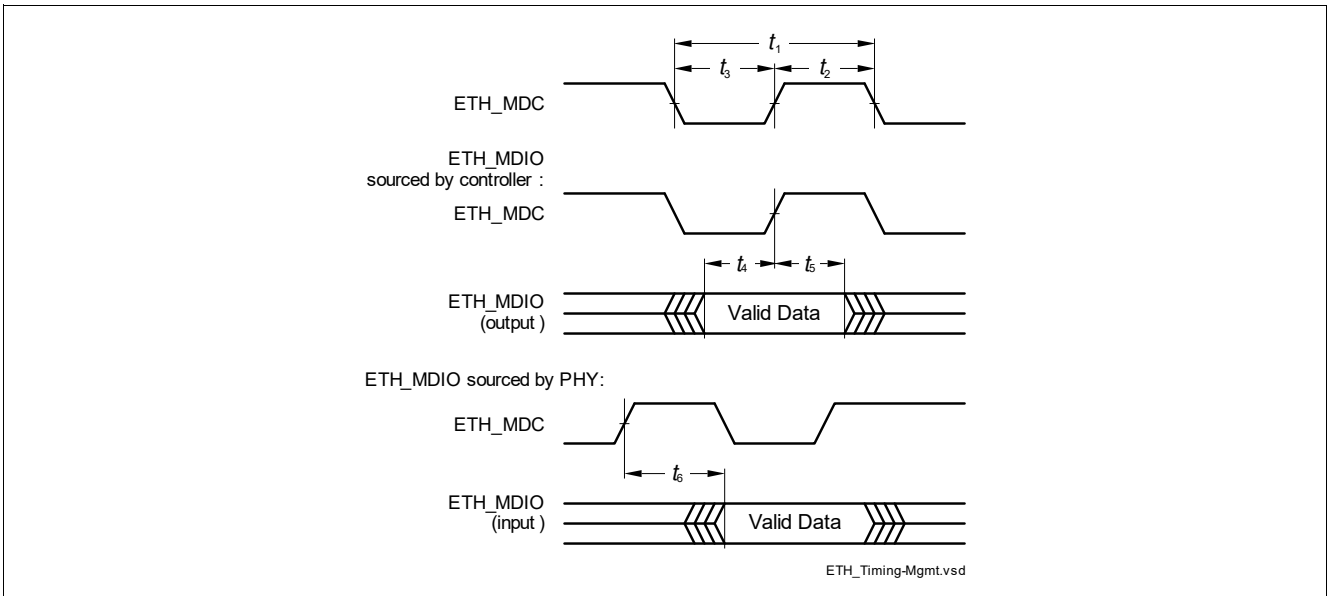


Figure 3-18 ETH Management Signal Timing

Electrical Specification Ethernet Interface (ETH) Characteristics

3.24.3 ETH MII Parameters

In the following, the parameters of the MII (Media Independent Interface) are described.

Table 3-55 ETH MII Signal Timing Parameters

Parameter	Symbol	Values			Unit	Note / Test Condition
		Min.	Typ.	Max.		
Clock period	t_7 SR	-	40	-	ns	CL=25pF ; baudrate=100Mbps
		-	400	-	ns	CL=25pF ; baudrate=10Mbps
Clock high time	t_8 SR	14	-	26	ns	CL=25pF ; baudrate=100Mbps
		140 ¹⁾	-	260 ²⁾	ns	CL=25pF ; baudrate=10Mbps
Clock low time	t_9 SR	14	-	26	ns	CL=25pF ; baudrate=100Mbps
		140 ¹⁾	-	260 ²⁾	ns	CL=25pF ; baudrate=10Mbps
Input setup time	t_{10} SR	10	-	-	ns	CL=25pF
Input hold time	t_{11} SR	10	-	-	ns	CL=25pF
Output valid time	t_{12} CC	0	-	25	ns	CL=25pF

- 1) Defined by 35% of clock period.
- 2) Defined by 65% of clock period.

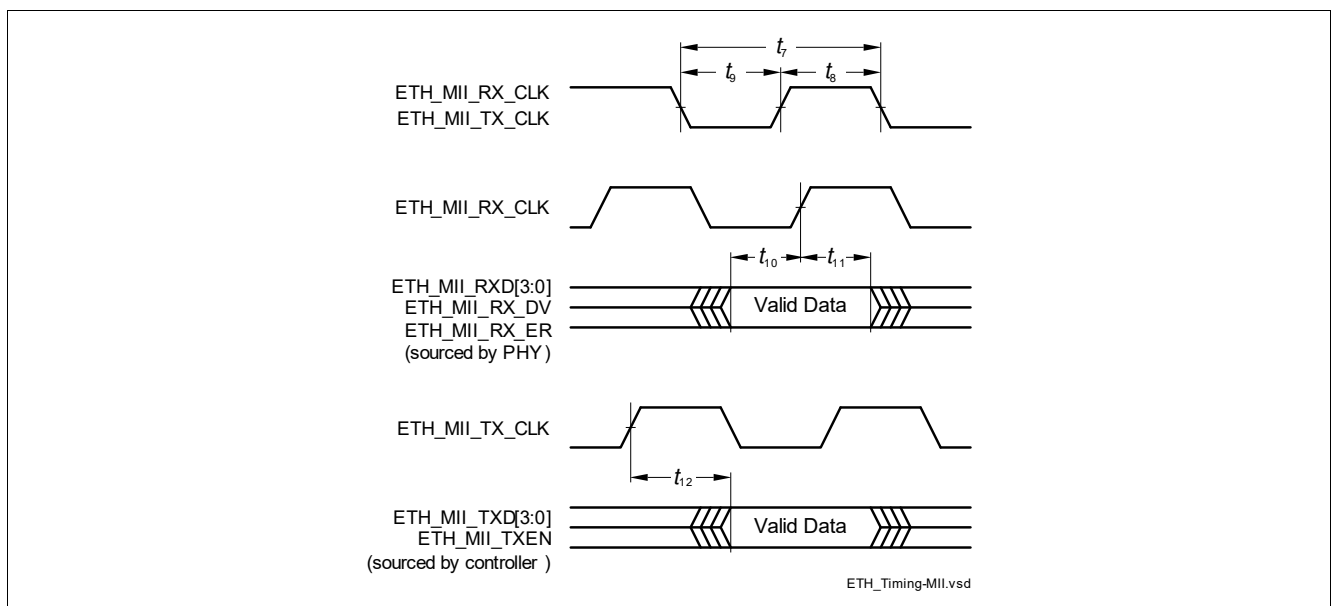


Figure 3-19 ETH MII Signal Timing

Electrical Specification Ethernet Interface (ETH) Characteristics

3.24.4 ETH RMIi Parameters

In the following, the parameters of the RMIi (Reduced Media Independent Interface) are described.

Table 3-56 ETH RMIi Signal Timing Parameters valid for 3.3V

Parameter	Symbol	Values			Unit	Note / Test Condition
		Min.	Typ.	Max.		
ETH_RMII_REF_CL clock period	t_{13} SR	-	20	-	ns	50ppm ; CL=25pF
ETH_RMII_REF_CL clock high time	t_{14} SR	7 ¹⁾	-	13 ²⁾	ns	CL=25pF
ETH_RMII_REF_CL clock low time	t_{15} SR	7 ¹⁾	-	13 ²⁾	ns	CL=25pF
ETHTXEN, ETHTXD[1:0], ETHRXD[1:0], ETHCRSDV; setup time ³⁾	t_{16} CC	4	-	-	ns	CL=25pF
ETHTXEN, ETHTXD[1:0], ETHRXD[1:0], ETHCRSDV; hold time ³⁾	t_{17} CC	2	-	-	ns	CL=25pF

- 1) Defined by 35% of clock period.
- 2) Defined by 65% of clock period.
- 3) For ETHRXD and ETHCRSDV signals this parameter is a SR.

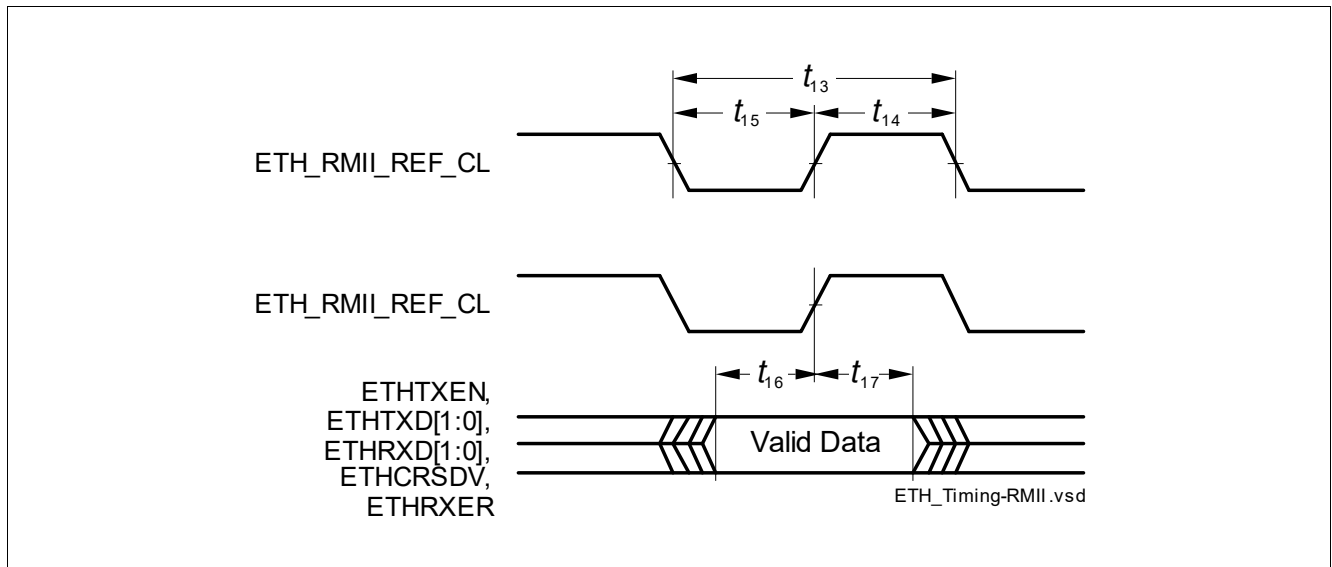


Figure 3-20 ETH RMIi Signal Timing

Electrical Specification Ethernet Interface (ETH) Characteristics

3.24.5 ETH RGMII Parameters

In the following, the parameters of the RGMII are described.

Table 3-57 ETH RGMII Signal Timing Parameters valid for 3.3V

Parameter	Symbol	Values			Unit	Note / Test Condition
		Min.	Typ.	Max.		
TX Clock period	t_{19} CC	36	40	44	ns	100Mbps
		360	400	440	ns	10Mbps
		7.2	8	8.8	ns	Gigabit
Data to Clock Output skew	t_{20} CC	-500	0	500	ps	
Data to Clock input skew (at receiver)	t_{21} SR	1	1.8	2.6	ns	SKEWCTL.RXCFG = 0; SKEWCTL.TXCFCG = 0
Clock duty cycle	t_{duty} CC	40	50	60	%	10/100Mbps
		45	50	55	%	Gigabit
GREFCLK duty cycle	t_{duty_in} SR	45	-	55	%	
GREFCLK Input accuracy	ACC SR	-0.005	-	0.005	%	

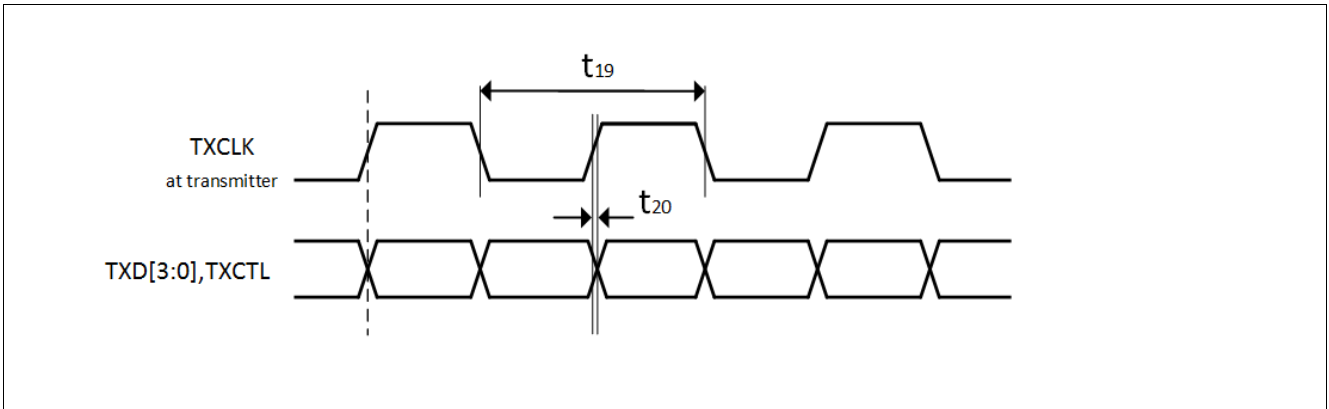


Figure 3-21 ETH RGMII TX Signal Timing (Delay on Destination (DoD))

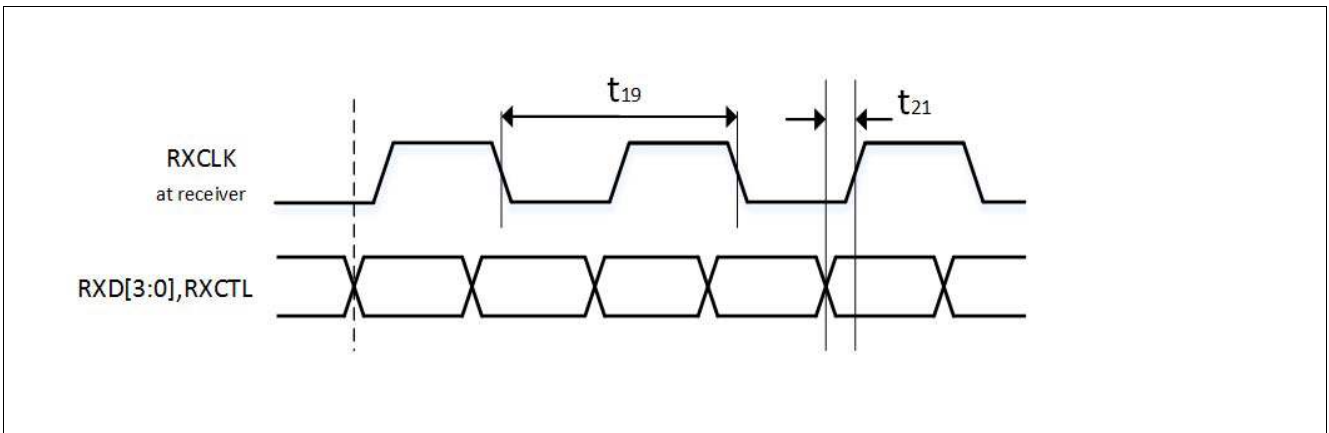


Figure 3-22 ETH RGMII RX Signal Timing (Delay on Source (DoS))

3.25 E-Ray Parameters

The timings of this section are valid for the strong driver and sharp edge settings of the output drivers with $C_L = 25$ pF.

Table 3-58 Transmit Parameters

Parameter	Symbol	Values			Unit	Note / Test Condition
		Min.	Typ.	Max.		
Rise time of TxEN	$t_{dCCTxENRise25CC}$	-	-	9	ns	$C_L=25pF$
Fall time of TxEN	$t_{dCCTxENFall25CC}$	-	-	9	ns	$C_L=25pF$
Sum of rise and fall time	$t_{dCCTxRise25+dCCTxFall25CC}$	-	-	9	ns	20% - 80% ; $C_L=25pF$
Sum of delay between TP1_FF and TP1_CC and delays derived from TP1_FFi, rising edge of TxEN	$t_{dCCTxEN01CC}$	-	-	25	ns	
Sum of delay between TP1_FF and TP1_CC and delays derived from TP1_FFi, falling edge of TxEN	$t_{dCCTxEN10CC}$	-	-	25	ns	
Asymmetry of sending	$t_{tx_asym} CC$	-2.45	-	2.45	ns	$C_L=25pF$
Sum of delay between TP1_FF and TP1_CC and delays derived from TP1_FFi, rising edge of TxD	$t_{dCCTxD01} CC$	-	-	25	ns	
Sum of delay between TP1_FF and TP1_CC and delays derived from TP1_FFi, falling edge of TxD	$t_{dCCTxD10} CC$	-	-	25	ns	
TxD signal sum of rise and fall time at TP1_BD	$t_{txd_sum} CC$	-	-	9	ns	

Table 3-59 Receive Parameters

Parameter	Symbol	Values			Unit	Note / Test Condition
		Min.	Typ.	Max.		
Acceptance of asymmetry at receiving part	$t_{dCCTxAsymAcc\ ept25} SR$	-30.5	-	43.0	ns	$C_L=25pF$
Acceptance of asymmetry at receiving part	$t_{dCCTxAsymAcc\ ept15} SR$	-31.5	-	44.0	ns	$C_L=15pF$
Threshold for detecting logical high	$T_{uCCLogic1} SR$	35	-	70	%	
Threshold for detecting logical low	$T_{uCCLogic0} SR$	30	-	65	%	

Table 3-59 Receive Parameters (cont'd)

Parameter	Symbol	Values			Unit	Note / Test Condition
		Min.	Typ.	Max.		
Sum of delay between TP4_CC and TP4_FF and delays derived from TP4_FFi, rising edge of RxD	$t_{dCCRxD01}$ CC	-	-	10	ns	
Sum of delay between TP4_CC and TP4_FF and delays derived from TP4_FFi, falling edge of RxD	$t_{dCCRxD10}$ CC	-	-	10	ns	

3.26 HSCT Parameters

Table 3-60 HSCT - Rx parasitics and loads

Parameter	Symbol	Values			Unit	Note / Test Condition
		Min.	Typ.	Max.		
Capacitance total budget	C_{total} CC	-	3.5	5	pF	Total Budget for complete receiver including silicon, package, pins and bond wire
Parasitic inductance budget	H_{total} CC	-	5	-	nH	

Table 3-61 HSCT - Rx/Tx setup timing

Parameter	Symbol	Values			Unit	Note / Test Condition
		Min.	Typ.	Max.		
RX o/p duty cycle	DC_{rx} CC	40	-	60	%	
Disable time of the LVDS pad	$t_{LVDS_{DIS}}$ CC	-	-	20	ns	
Enable time of the LVDS pad	$t_{LVDS_{SEN}}$ CC	-	-	400	ns	
Wakeup time from Sleep Mode	t_{SWU} CC	-	-	250	ns	
Maximum length of a wake-up glitch that does not wake-up the receiver	t_{WUP} CC	-	-	0.2	ns	
Bias startup time	t_{bias} CC	-	5	10	μ s	Bias distributor waking up from power down and provide stable Bias.
RX startup time	t_{rx} CC	-	-	600	ns	Wake-up RX from power down.
TX startup time	t_{tx} CC	-	-	280	ns	Wake-up TX from power down.

Table 3-62 HSCT

Parameter	Symbol	Values			Unit	Note / Test Condition
		Min.	Typ.	Max.		
Bit Error Rate based on 20 MHz reference clock at Slave PLL side	BER_{20} CC	-	-	10EXP-12		Bit Error Rate based on 20 MHz reference clock at Slave PLL side
Transition time from Rx Disable to Rx Low Speed Mode	t_{DISLS} CC	-	-	700	ns	Transition time from Rx Disable to Rx Low Speed Mode

Electrical Specification HSCT Parameters
Table 3-62 HSCT (cont'd)

Parameter	Symbol	Values			Unit	Note / Test Condition
		Min.	Typ.	Max.		
Transistion time from Rx High/Low Speed Mode to Rx Medium Speed Mode	t_{HLSMS} CC	-	-	500	ns	Transition time from Rx High/Low Speed Mode to Rx Medium Speed Mode
Transistion time from Rx High/Medium Speed Mode to Rx Low Speed Mode	t_{HMSLS} CC	-	-	600	ns	Transition time from Rx High/Medium Speed Mode to Rx Low Speed Mode
Transistion time from Tx High Speed Mode to Tx Low Speed Mode	t_{HSLS} CC	-	-	600	ns	Transition time from Tx High Speed Mode to Tx Low Speed Mode
Transistion time from Tx Low Speed Mode to Tx High Speed Mode	t_{LSHS} CC	-	-	400	ns	Transition time from Tx Low Speed Mode to Tx High Speed Mode
Transistion time from Rx Medium/Low Speed Mode to Rx High Speed Mode	t_{MLSHS} CC	-	-	400	ns	Transition time from Rx Medium/Low Speed Mode to Rx High Speed Mode
HSCT physical layer power-on	t_{PON} CC	-	-	600	ns	HSCT physical layer power-on

3.27 Inter-IC (I2C) Interface Timing

All I2C timing parameter are SR for Master Mode and CC for Slave Mode.

Table 3-63 I2C Standard Mode Timing

Parameter	Symbol	Values			Unit	Note / Test Condition
		Min.	Typ.	Max.		
Fall time of both SDA and SCL	t_1	-	-	300	ns	Measured with a pull-up resistor of 4.7 kohms at each of the SCL and SDA line
Capacitive load for each bus line	C_b SR	-	-	400	pF	
Bus free time between a STOP and ATART condition	t_{10}	4.7	-	-	μ s	Measured with a pull-up resistor of 4.7 kohms at each of the SCL and SDA line
Rise time of both SDA and SCL	t_2	-	-	1000	ns	Measured with a pull-up resistor of 4.7 kohms at each of the SCL and SDA line
Data hold time	t_3	0	-	-	μ s	Measured with a pull-up resistor of 4.7 kohms at each of the SCL and SDA line
Data set-up time	t_4	250	-	-	ns	Measured with a pull-up resistor of 4.7 kohms at each of the SCL and SDA line
Low period of SCL clock	t_5	4.7	-	-	μ s	Measured with a pull-up resistor of 4.7 kohms at each of the SCL and SDA line
High period of SCL clock	t_6	4	-	-	μ s	Measured with a pull-up resistor of 4.7 kohms at each of the SCL and SDA line
Hold time for the (repeated) START condition	t_7	4	-	-	μ s	Measured with a pull-up resistor of 4.7 kohms at each of the SCL and SDA line
Set-up time for (repeated) START condition	t_8	4.7	-	-	μ s	Measured with a pull-up resistor of 4.7 kohms at each of the SCL and SDA line
Set-up time for STOP condition	t_9	4	-	-	μ s	Measured with a pull-up resistor of 4.7 kohms at each of the SCL and SDA line

Electrical Specification Inter-IC (I2C) Interface Timing
Table 3-64 I2C Fast Mode Timing

Parameter	Symbol	Values			Unit	Note / Test Condition
		Min.	Typ.	Max.		
Fall time of both SDA and SCL	t_1	$20+0.1 \cdot C_b$	-	300	ns	Measured with a pull-up resistor of 4.7 kohms at each of the SCL and SDA line
Capacitive load for each bus line	C_b SR	-	-	400	pF	
Bus free time between a STOP and ATART condition	t_{10}	1.3	-	-	μ s	Measured with a pull-up resistor of 4.7 kohms at each of the SCL and SDA line
Rise time of both SDA and SCL	t_2	$20+0.1 \cdot C_b$	-	300	ns	Measured with a pull-up resistor of 4.7 kohms at each of the SCL and SDA line
Data hold time	t_3	0	-	-	μ s	Measured with a pull-up resistor of 4.7 kohms at each of the SCL and SDA line
Data set-up time	t_4	100	-	-	ns	Measured with a pull-up resistor of 4.7 kohms at each of the SCL and SDA line
Low period of SCL clock	t_5	1.3	-	-	μ s	Measured with a pull-up resistor of 4.7 kohms at each of the SCL and SDA line
High period of SCL clock	t_6	0.6	-	-	μ s	Measured with a pull-up resistor of 4.7 kohms at each of the SCL and SDA line
Hold time for the (repeated) START condition	t_7	0.6	-	-	μ s	Measured with a pull-up resistor of 4.7 kohms at each of the SCL and SDA line
Set-up time for (repeated) START condition	t_8	0.6	-	-	μ s	Measured with a pull-up resistor of 4.7 kohms at each of the SCL and SDA line
Set-up time for STOP condition	t_9	0.6	-	-	μ s	Measured with a pull-up resistor of 4.7 kohms at each of the SCL and SDA line

Electrical Specification Inter-IC (I2C) Interface Timing

Table 3-65 I2C High Speed Mode Timing

Parameter	Symbol	Values			Unit	Note / Test Condition
		Min.	Typ.	Max.		
Capacitive load for each bus line	C_b SR	-	-	400	pF	
Fall time of SCL	t_{11}	10 ¹⁾	-	40 ¹⁾	ns	bus line load of 100pF
Fall time of SDA	t_{12}	10 ¹⁾	-	80 ¹⁾	ns	bus line load of 100pF
Rise time of SCL	t_{13}	10 ¹⁾	-	40 ¹⁾	ns	bus line load of 100pF
Rise time of SDA	t_{14}	10 ¹⁾	-	80 ¹⁾	ns	bus line load of 100pF
Data hold time	t_3	0 ¹⁾	-	70 ¹⁾	ns	bus line load of 100pF
Data set-up time	t_4	10 ¹⁾	-	-	ns	bus line load of 100pF
Low period of SCL clock	t_5	160 ¹⁾	-	-	ns	bus line load of 100pF
High period of SCL clock	t_6	60 ¹⁾	-	-	ns	bus line load of 100pF
Hold time for the (repeated) START condition	t_7	160 ¹⁾	-	-	ns	bus line load of 100pF
Set-up time for (repeated) START condition	t_8	160 ¹⁾	-	-	ns	bus line load of 100pF
Set-up time for STOP condition	t_9	160 ¹⁾	-	-	ns	bus line load of 100pF

1) Values are defined for $C_b = 100\text{pF}$, for the Timing of $C_b = 400\text{pF}$ see the I2C Standard.

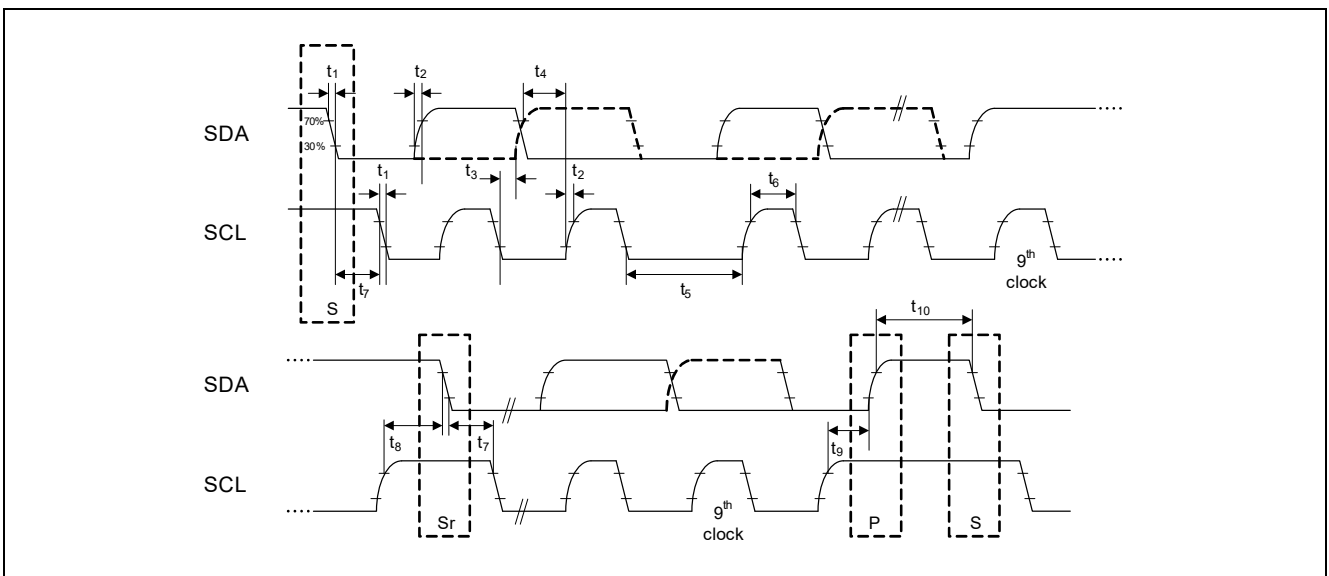


Figure 3-23 I2C Standard and Fast Mode Timing

3.28 SDMMC Interface Timing

Table 3-66 SDMMC

Parameter	Symbol	Values			Unit	Note / Test Condition
		Min.	Typ.	Max.		
Clock period Data Transfer Mode	t_1 CC	20	-	-	ns	push-pull, $C_L \leq 30\text{pF}$, $V_{EXT} = 3.3\text{V}$
Clock period Identification Mode	t_2 CC	-	-	2500	ns	open-drain, $C_L \leq 30\text{pF}$, $V_{EXT} = 3.3\text{V}$
Clock low time	t_3 CC	6,5	-	-	ns	$C_L \leq 30\text{pF}$, $V_{EXT} = 3.3\text{V}$
Clock high time	t_4 CC	6,5	-	-	ns	$C_L \leq 30\text{pF}$, $V_{EXT} = 3.3\text{V}$
Data output valid time before rising clock edge	t_5 CC	3	-	-	ns	$C_L \leq 30\text{pF}$, $V_{EXT} = 3.3\text{V}$
Data output valid time after rising clock edge	t_6 CC	3	-	-	ns	$C_L \leq 30\text{pF}$, $V_{EXT} = 3.3\text{V}$
Data input hold time	t_7 SR	2,5	-	-	ns	$C_L \leq 30\text{pF}$, $V_{EXT} = 3.3\text{V}$, TTL levels
Data Input delay time	t_8 SR	-	-	13,7	ns	$C_L \leq 30\text{pF}$, $V_{EXT} = 3.3\text{V}$, TTL levels
Data Input setup time	t_9 SR	5,2	-	-	ns	$C_L \leq 30\text{pF}$, $V_{EXT} = 3.3\text{V}$, TTL levels

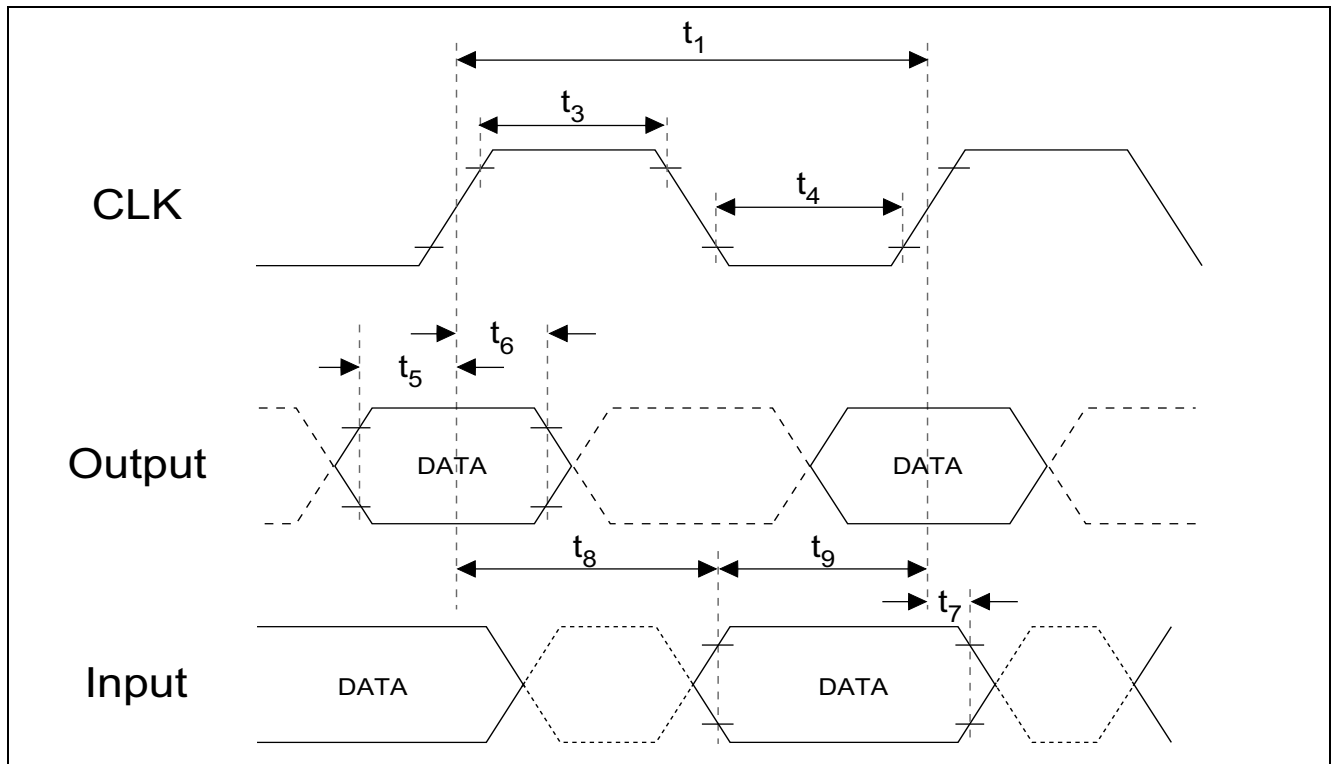


Figure 3-24 SDMMC Timing

3.29 FSP Parameter

Table 3-67 Safety

Parameter	Symbol	Values			Unit	Note / Test Condition
		Min.	Typ.	Max.		
Skew between FSP0 and FSP1	t_{FSPSKEW} CC	-8	-	9	ns	$C_L=50\text{pF}$, driver strength m
		-5	-	6	ns	$C_L=50\text{pF}$, driver strength sm
		-4	-	5	ns	$C_L=50\text{pF}$, driver strength ss

3.30 Radar Interface Timing

This section defines the timings for RIF in the TC39x.

Table 3-68 Skew Calibration Related

Parameter	Symbol	Values			Unit	Note / Test Condition
		Min.	Typ.	Max.		
Bit time	t_{80} CC	2.5	-	-	ns	
Set-up time	t_{82} SR	0.8	-	-	ns	
Hold time	t_{83} SR	0.8	-	-	ns	
RAMP1 set-up time relative to the FRAME rising edge	t_{88} SR	30	-	-	ns	
RAMP1 hold time relative to the FRAME rising edge	t_{89} SR	30	-	-	ns	

3.31 EBU Timings

3.31.1 BFCLKO Output Clock Timing

$V_{SS} = 0\text{ V}; V_{DD} = 1.3\text{ V} \pm 5\%; 3.3\text{ V} \pm 5\%$,

Table 3-69 BFCLKO Output Clock Timing Parameters¹⁾

Parameter	Symbol	Values			Unit	Note / Test Condition
		Min.	Typ.	Max.		
BFCLKO clock period	t_{BFCLKO} CC	13.33 ²⁾	–	–	ns	–
BFCLKO high time	t_5 CC	3	–	–	ns	–
BFCLKO low time	t_6 CC	3	–	–	ns	–
BFCLKO rise time	t_7 CC	–	–	3	ns	–
BFCLKO fall time	t_8 CC	–	–	3	ns	–
BFCLKO duty cycle $t_5/(t_5 + t_6)^3)$	DC	35	50	55	%	–

- 1) Not subject to production test, verified by design/characterization.
- 2) The PLL jitter characteristics add to this value according to the application settings. See the PLL jitter parameters.
- 3) The PLL jitter is not included in this parameter. If the BFCLKO frequency is equal to f_{CPU} , the K divider has to be regarded.

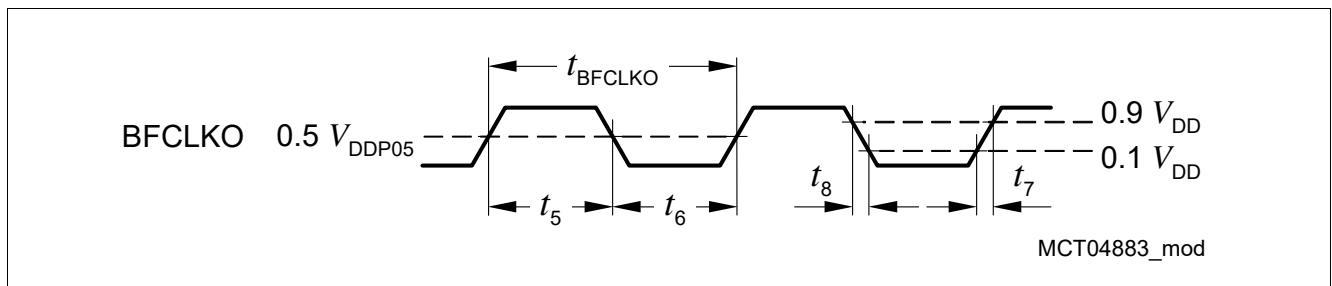


Figure 3-25 BFCLKO Output Clock Timing

3.31.2 EBU Asynchronous Timings

For each timing, the accumulated PLL jitter of the programmed duration in number of clock periods must be added separately.

Table 3-70 Common Asynchronous Timings valid for 3.3V

Parameter	Symbol	Values			Unit	Note / Test Condition
		Min.	Typ.	Max.		
AD(31:0) output delay to ADV# rising edge, multiplexed read / write	t_{13} CC	-5.5	-	2.5	ns	$C_L=35\text{pF}$
AD(31:0) output delay to ADV# rising edge, multiplexed read / write	t_{14} CC	-5.5	-	2.5	ns	$C_L=35\text{pF}$

Table 3-70 Common Asynchronous Timings valid for 3.3V (cont'd)

Parameter	Symbol	Values			Unit	Note / Test Condition
		Min.	Typ.	Max.		
Address valid to CS falling edge (deviation from programmed value)	t_{15} CC	-2	-	2.5	ns	$C_L=35\text{pF}$
Address valid to ADV falling edge (deviation from programmed value)	t_{16} CC	-2	-	2.5	ns	$C_L=35\text{pF}$
ADV falling edge -> CS falling edge (deviation from programmed value)	t_{17} CC	-2	-	2.5	ns	$C_L=35\text{pF}$
Pulse width deviation from the ideal programmed width due to B pad asymmetry, rise delay - fall delay	t_a CC	-0.8	-	0.8	ns	edge=medium; $C_L=35\text{pF}$
		-0.8	-	0.8	ns	edge=sharp; $C_L=35\text{pF}$

Table 3-71 Asynchronous Read Timings valid for 3.3V

Parameter	Symbol	Values			Unit	Note / Test Condition
		Min.	Typ.	Max.		
A(23:0) output delay to $\overline{\text{RD}}$ rising edge, deviation from the ideal programmed value	t_0 CC	-2.5	-	2.5	ns	$C_L=35\text{pF}$
Data input Hold from CS rising edge	t_{18} CC	-6	-	-	ns	$C_L=35\text{pF}$
Data input Setup to CS rising edge	t_{19} CC	19	-	-	ns	$C_L=35\text{pF}$
A(23:0) output delay to RD rising edge, deviation from the ideal programmed value	t_1 CC	-2.5	-	2.5	ns	$C_L=35\text{pF}$
CS rising edge to RD rising edge, deviation from the ideal programmed value	t_2 CC	-2	-	2.5	ns	$C_L=35\text{pF}$
ADV rising edge to RD rising edge, deviation from the ideal programmed value	t_3 CC	-2	-	4.5	ns	$C_L=35\text{pF}$
BC rising edge to RD rising edge, deviation from the ideal programmed value	t_4 CC	-2.5	-	2.5	ns	$C_L=35\text{pF}$
WAIT input setup to RD rising edge, deviation from the ideal programmed value	t_5 SR	19	-	-	ns	$C_L=35\text{pF}$
WAIT input hold to RD rising edge, deviation from the ideal programmed value	t_6 SR	-4	-	-	ns	$C_L=35\text{pF}$

Table 3-71 Asynchronous Read Timings valid for 3.3V (cont'd)

Parameter	Symbol	Values			Unit	Note / Test Condition
		Min.	Typ.	Max.		
Data input setup to RD rising edge, deviation from the ideal programmed value	t_7 SR	19	-	-	ns	$C_L=35pF$
Data input hold to RD rising edge, deviation from the ideal programmed value	t_8 SR	-4	-	-	ns	$C_L=35pF$
MR / W output delay to RD# rising edge, deviation from the ideal programmed value	t_9 CC	-2.5	-	1.5	ns	$C_L=35pF$

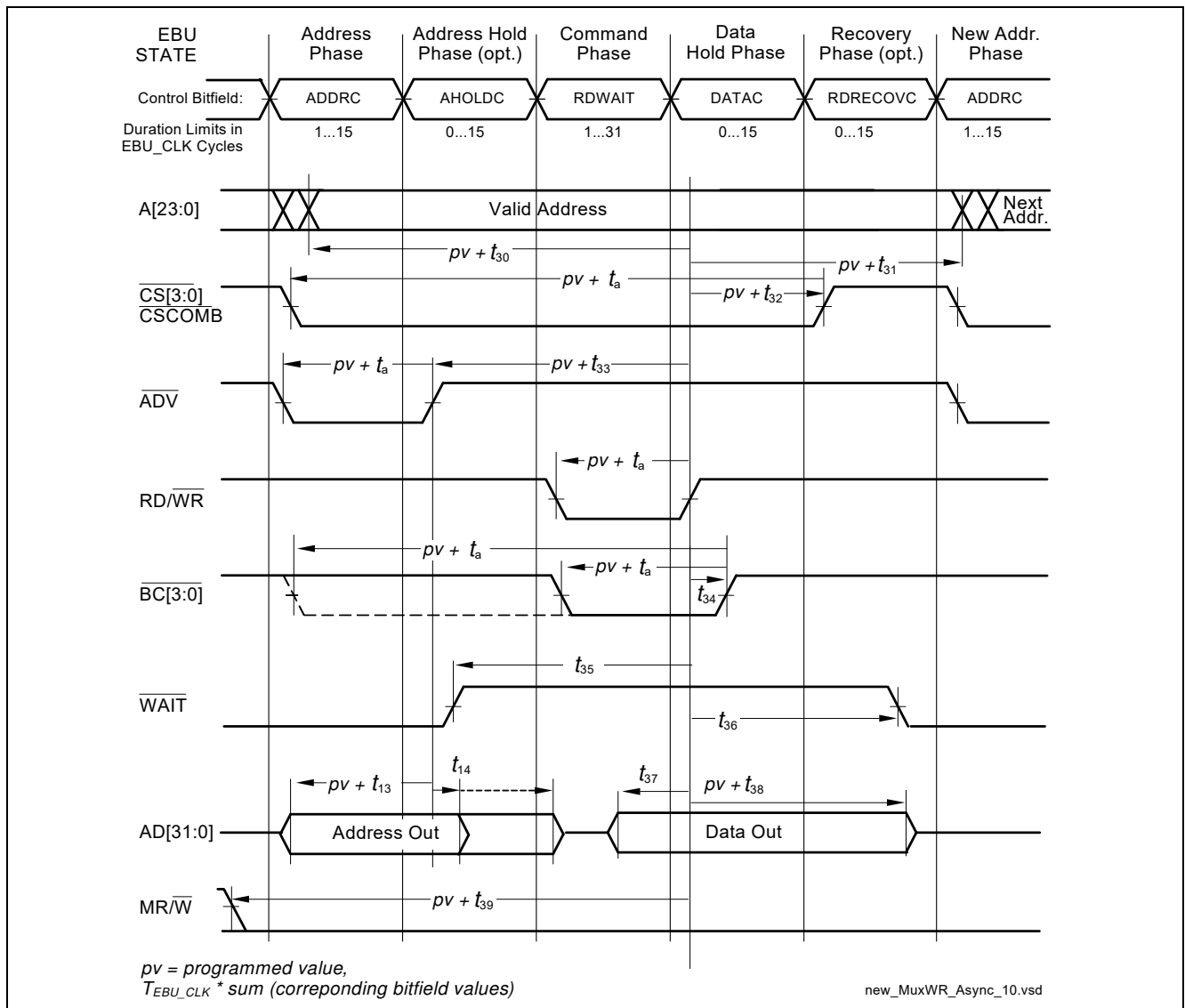


Figure 3-26 Multiplexed Read Access

Electrical Specification EBU Timings

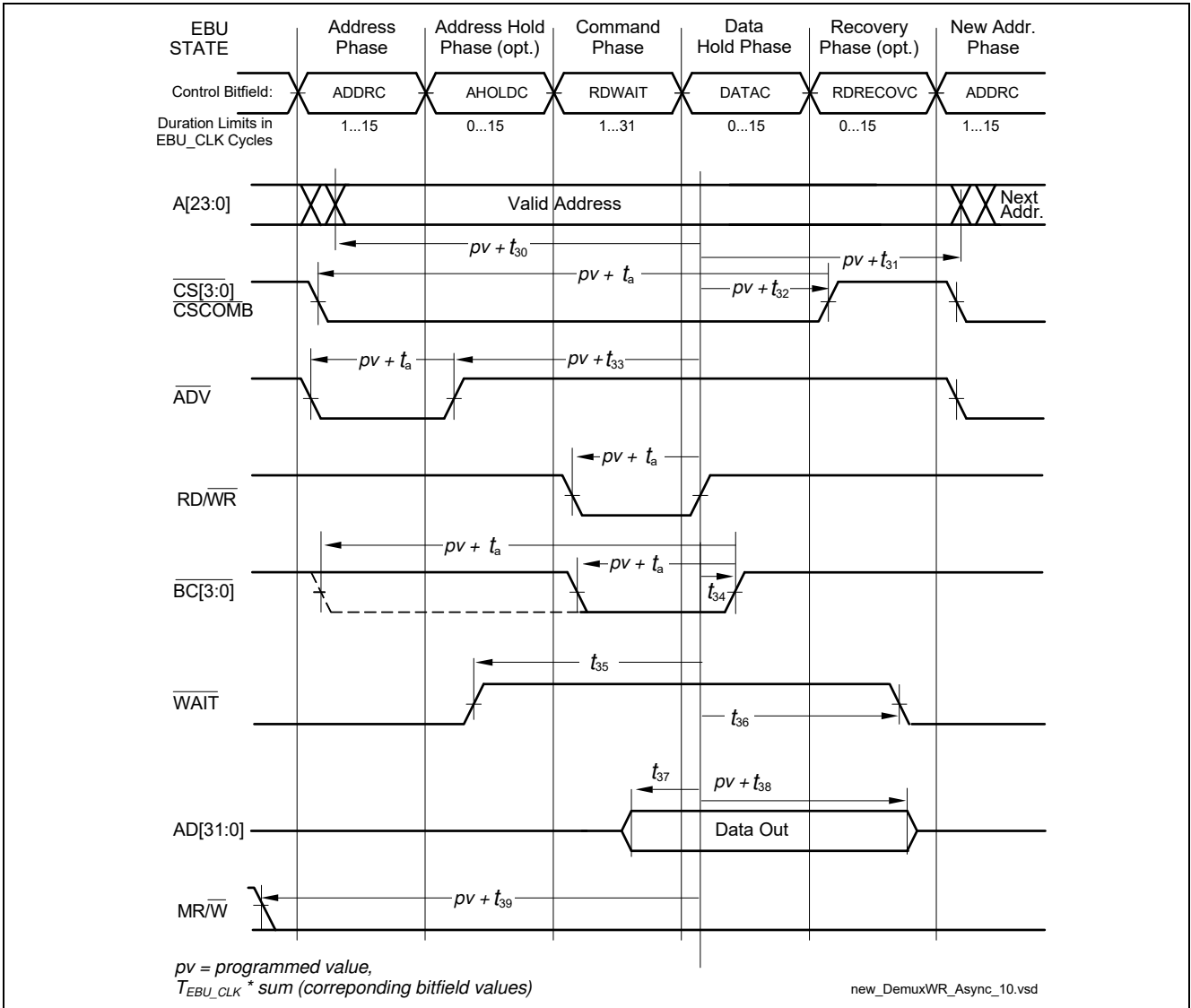


Figure 3-27 Demultiplexed Read Access

Table 3-72 Asynchronous Write Timings valid for 3.3V

Parameter	Symbol	Values			Unit	Note / Test Condition
		Min.	Typ.	Max.		
A(23:0) output delay to WR rising edge, deviation from the ideal programmed value	t_{30} CC	-2.5	-	2.5	ns	$C_L=35pF$
A(23:0) output delay to WR rising edge, deviation from the ideal programmed value	t_{31} CC	-2.5	-	2.5	ns	$C_L=35pF$
CS rising edge to WR rising edge, deviation from the ideal programmed value	t_{32} CC	-2	-	2.5	ns	$C_L=35pF$

Table 3-72 Asynchronous Write Timings valid for 3.3V (cont'd)

Parameter	Symbol	Values			Unit	Note / Test Condition
		Min.	Typ.	Max.		
ADV rising edge to WR rising edge, deviation from the ideal programmed value	t_{33} CC	-2.5	-	2	ns	$C_L=35\text{pF}$
BC rising edge to WR rising edge, deviation from the ideal programmed value	t_{34} CC	-2.5	-	2	ns	$C_L=35\text{pF}$
WAIT input setup to WR rising edge, deviation from the ideal programmed value	t_{35} SR	19	-	-	ns	$C_L=35\text{pF}$
WAIT input hold to WR rising edge, deviation from the ideal programmed value	t_{36} SR	0	-	-	ns	$C_L=35\text{pF}$
Data output delay to WR rising edge, deviation from the ideal programmed value	t_{37} CC	-5.5	-	2.5	ns	$C_L=35\text{pF}$
Data output delay to WR rising edge, deviation from the ideal programmed value	t_{38} CC	-5.5	-	2.5	ns	$C_L=35\text{pF}$
MR / W output delay to WR rising edge, deviation from the ideal programmed value	t_{39} CC	-2.5	-	1.5	ns	$C_L=35\text{pF}$

3.31.3 EBU Burst Mode Access Timing

 $V_{SS} = 0\text{ V}; V_{DD} = 1.3\text{ V} \pm 5\%; V_{DDEBU} = 3.3\text{ V} \pm 5\%;$
Table 3-73 Burst Read Timings valid for 3.3V

Parameter	Symbol	Values			Unit	Note / Test Condition
		Min.	Typ.	Max.		
Output delay from BFCLKO rising edge	t_{10} CC	-2	-	2.5	ns	$C_L=35\text{pF}$
RD and RD/WR active/inactive after BFCLKO active edge	t_{12} CC	-2	-	2	ns	$C_L=35\text{pF}$
CSx output delay from BFCLKO active edge	t_{21} CC	-2.5	-	2.0	ns	$C_L=35\text{pF}$
ADV active/inactive after BFCLKO active edge	t_{22} CC	-2	-	2	ns	$C_L=35\text{pF}$
BAA active/inactive after BFCLKO active edge	t_{22a} CC	-2.5	-	2.0	ns	$C_L=35\text{pF}$
Data setup to BFCLKI rising edge	t_{23} SR	5	-	-	ns	$C_L=35\text{pF}$
Data hold from BFCLKI rising edge	t_{24} SR	0	-	-	ns	$C_L=35\text{pF}$

Table 3-73 Burst Read Timings valid for 3.3V (cont'd)

Parameter	Symbol	Values			Unit	Note / Test Condition
		Min.	Typ.	Max.		
WAIT setup (low or high) to BFCLKI rising edge	t_{25} SR	5	-	-	ns	$C_L=35\text{pF}$
WAIT hold (low or high) from BFCLKI rising edge	t_{26} SR	0	-	-	ns	$C_L=35\text{pF}$

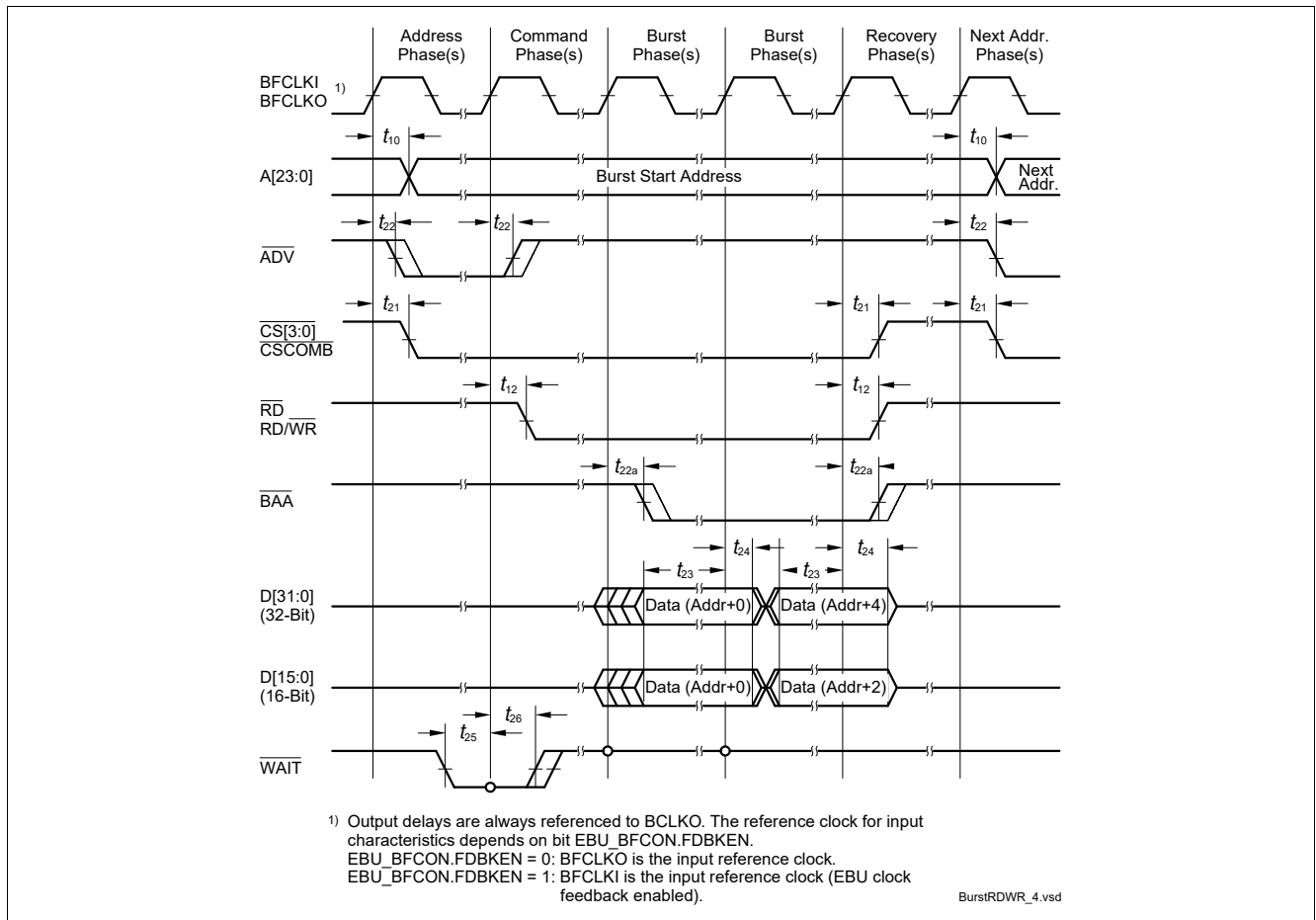


Figure 3-28 EBU Burst Mode Read / Write Access Timing

3.31.4 EBU Arbitration Signal Timing

$V_{SS} = 0\text{ V}; V_{DD} = 1.5\text{ V} \pm 5\%; V_{DDEBU} = 3.3\text{ V} \pm 5\%$;

Table 3-74 EBU Arbitration Timings valid for 3.3V

Parameter	Symbol	Values			Unit	Note / Test Condition
		Min.	Typ.	Max.		
Output delay from BFCLKO rising edge	t_{27} CC	-	-	3	ns	$C_L=35\text{pF}$
Data setup to BFCLKO falling edge	t_{28} SR	16	-	-	ns	$C_L=35\text{pF}$
Data hold from BFCLKO falling edge	t_{29} SR	2	-	-	ns	$C_L=35\text{pF}$

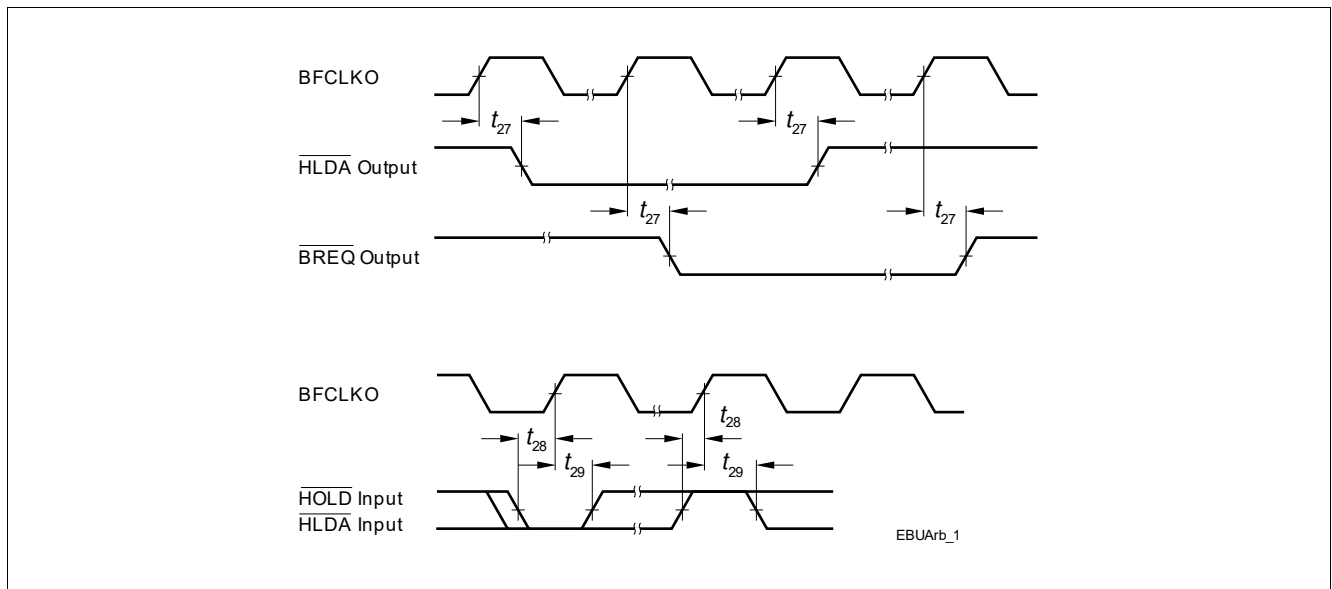


Figure 3-29 EBU Arbitration Signal Timing

3.32 Flash Target Parameters
Table 3-75 Flash

Parameter	Symbol	Values			Unit	Note / Test Condition
		Min.	Typ.	Max.		
Program Flash Erase Time per logical sector ¹⁾	t_{ERP} CC	-	-	0.5	s	cycle count < 1000
Program Flash Erase Time per Multi-Sector Command ¹⁾	t_{MERP} CC	-	-	0.5	s	For consecutive logical sectors in a physical sector with total range ≤ 512 kByte; cycle count < 1000
Program Flash program time per page in 5 V mode ¹⁾	t_{PRP5} CC	-	-	80	μs	32 Byte
Program Flash program time per page in 3.3 V mode ¹⁾	t_{PRP3} CC	-	-	115	μs	32 Byte
Program Flash program time per burst in 5 V mode ¹⁾	t_{PRPB5} CC	-	-	220	μs	256 Byte
Program Flash program time per burst in 3.3 V mode ¹⁾	t_{PRPB3} CC	-	-	530	μs	256 Byte
Program Flash program time for 1 MByte with burst programming in 3.3 V mode excluding communication ¹⁾	t_{PRPB3_1MB} CC	-	-	2.2	s	Derived value for documentation purpose
Program Flash program time for 1 MByte with burst programming in 5 V mode excluding communication ¹⁾	t_{PRPB5_1MB} CC	-	-	1	s	Derived value for documentation purpose
Program Flash program time for complete PFlash with burst programming in 5 V mode excluding communication ¹⁾	t_{PRPB5_PF} CC	-	-	16	s	Derived value for documentation purpose
Write Page Once adder ¹⁾	t_{ADD} CC	-	-	20	μs	Adder to Program Time when using Write Page Once
Program Flash suspend to read latency ¹⁾	t_{SPNDP} CC	-	-	120	μs	For Write Burst, Verify Erased and for multi-(logical) sector erase commands
Data Flash Erase Disturb Limit (single ended sensing mode)	N_{DFD} CC	-	-	50	cycles	
Data Flash Erase Disturb Limit (complement sensing mode)	N_{DFDC} CC	-	-	500	cycles	
UCB Erase Disturb Limit	N_{UCBD} CC	-	-	500	cycles	

Electrical Specification Flash Target Parameters
Table 3-75 Flash (cont'd)

Parameter	Symbol	Values			Unit	Note / Test Condition
		Min.	Typ.	Max.		
Program time data flash per page ¹⁾²⁾	t_{PRD} CC	-	-	75	μ s	8 Byte
Complete Device Flash Erase Time PFlash and DFlash ^{1)3) 4) 5)}	t_{ER_Dev} CC	-	10.4	18.5 ¹⁾³⁾⁴⁾⁵⁾	s	Valid for less than 1000 cycles, w/o UCB. Derived value for documentation purpose.
Data Flash program time per burst ¹⁾²⁾	t_{PRDB} CC	-	-	140	μ s	32 Byte
Data Flash suspend to read latency ¹⁾	t_{SPNDD} CC	-	-	120	μ s	
Wait time after margin change	$t_{FL_MarginDel}$ CC	-	-	2	μ s	
Program Flash Endurance per Logical Sector	N_{E_P} CC	-	-	1000	cycles	Replace logical sector command shall be used if a sector fails during erase or program
Number of erase operations per physical sector in program flash	N_{ERP} CC	-	-	16000	cycles	
Program Flash Retention Time, Sector	t_{RET} CC	20	-	-	years	Max. 1000 erase/program cycles
UCB Retention Time	t_{RTU} CC	20	-	-	years	Max. 100 erase/program cycles per UCB, max 500 erase/program cycles for all UCBs together
Data Flash access delay	t_{DF} CC	-	-	100	ns	see RFLASH of DMU register HF_DWAIT
Data Flash ECC Delay	t_{DFECC} CC	-	-	20	ns	see RECC of DMU register HF_DWAIT
Program Flash access delay	t_{PF} CC	-	-	30	ns	see RFLASH of DMU register HF_PWAIT
Program Flash ECC delay	t_{PFECC} CC	-	-	10	ns	see RECC and CECC of DMU register HF_PWAIT
Number of erase operations on DF0 over lifetime (complement sensing mode) ⁶⁾	N_{ERD0C} CC	-	-	4000000	cycles	
Number of erase operations on DF0 over lifetime (single ended sensing mode) ⁷⁾	N_{ERD0S} CC	-	-	750000	cycles	

Electrical Specification Flash Target Parameters
Table 3-75 Flash (cont'd)

Parameter	Symbol	Values			Unit	Note / Test Condition
		Min.	Typ.	Max.		
Number of erase operations on DF1 over lifetime (complement sensing mode) ⁶⁾	N_{ERD1C} CC	-	-	2000000	cycles	
Number of erase operations on DF1 over lifetime (single ended sensing mode) ⁷⁾	N_{ERD1S} CC	-	-	500000	cycles	
Data Flash Endurance per EEPROMx sector (complement sensing mode) ⁸⁾	N_{E_EEP10C} CC	-	-	500000	cycles	Max. data retention time 10 years
DataFlash Endurance per EEPROMx sector (single ended sensing mode) ⁸⁾	N_{E_EEP10S} CC	-	-	125000	cycles	Retention time and Tj according below example temperature profile
		-	-	125000	cycles	max data retention time 20y, Tj=110°C
		-	-	125000	cycles	max data retention time 8.2y, Tj=125°C
Data Flash Endurance per HSMx sector (complement sensing mode) ⁸⁾	N_{E_HSMC} CC	-	-	250000	cycles	Max. data retention time 10 years
Data Flash Endurance per HSMx sector (single ended sensing mode) ⁸⁾	N_{E_HSMs} CC	-	-	125000	cycles	Retention time and Tj according below example temperature profile
		-	-	125000	cycles	max data retention time 20y, Tj=110°C
		-	-	125000	cycles	max data retention time 8.2y, Tj=125°C
Junction temperature limit for PFlash program/erase operations	$T_{JPFlash}$ SR	-	-	150	°C	
Data Flash Erase Time per Sector ¹⁾³⁾⁵⁾	t_{ERD1} CC	-	-	0.5	s	Max. 1000 erase/program cycles
Data Flash Erase Time per Sector ¹⁾³⁾⁵⁾	t_{ERDM} CC	-	-	1.5	s	Max allowed cycles, see NE_EEP10 and NE_HSM parameters
DataFlash Adder on Erase Time per 32kByte erase size when using complement sensing mode ¹⁾	$t_{ER_ADDC32C}$ CC	-	-	50	ms	Adder per 32 kByte on erase time; applicable only when using complement mode

Electrical Specification Flash Target Parameters
Table 3-75 Flash (cont'd)

Parameter	Symbol	Values			Unit	Note / Test Condition
		Min.	Typ.	Max.		
Data Flash Erase Time per Multi-Sector Command ¹⁾³⁾⁵⁾	t_{MERD1} CC	-	-	0.5	s	Max 1000 erase/program cycles; For consecutive logical sectors ≤ 256 KBytes
Data Flash Erase Time per Multi-Sector Command ¹⁾³⁾⁵⁾	t_{MERDM} CC	-	-	1.5	s	Max allowed cycles, see NE_EEP10x and NE_HSMx Parameters; For consecutive logical sectors ≤ 256 kByte
Program Flash Access Delay at reduced VDDP3 voltage supply during cranking	$t_{PF_low_VDDP3}$ CC	-	-	60	ns	see register DMU_HF_PWAIT.CFLASH
Data Flash Erase Verify time per page (Complement Sensing) ²⁾	$t_{VER_PAGE_DC}$ CC	-	-	10	μ s	Time per 8 Byte page for Verify Erased Page command
Data Flash Erase Verify time per page (Single Ended Sensing) ¹⁾	$t_{VER_PAGE_DS}$ CC	-	-	10	μ s	Time per 8 Byte page for Verify Erased Page command
Program Flash Erase Verify time per page ¹⁾	$t_{VER_PAGE_P}$ CC	-	-	10	μ s	Time per 32 Byte page for Verify Erased Page command
Data Flash Erase Verify time per sector (Complement Sensing) ¹⁾	$t_{VER_SEC_DC}$ CC	-	-	200	μ s	Time per 2 KB sector for Verify Erased Logical Sector Range command
Data Flash Erase Verify time per sector (Single Ended Sensing) ¹⁾	$t_{VER_SEC_DS}$ CC	-	-	360	μ s	Time per 4 KB sector for Verify Erased Logical Sector Range command
Program Flash Erase Verify time per sector ¹⁾	$t_{VER_SEC_P}$ CC	-	-	360	μ s	Time per 16KB sector for Verify Erased Logical Sector Range command
Data Flash Erase Verify time per wordline (Complement Sensing) ¹⁾	$t_{VER_WL_DC}$ CC	-	-	30	μ s	
Data Flash Erase Verify time per wordline (Single Ended Sensing) ¹⁾	$t_{VER_WL_DS}$ CC	-	-	50	μ s	
Program Flash Erase Verify time per wordline ¹⁾	$t_{VER_WL_P}$ CC	-	-	30	μ s	

1) Only valid for $f_{FSI} = 100$ MHz.

2) Time is not dependent on program mode (5V or 3.3V).

Electrical Specification Flash Target Parameters

- 3) Under out-of-spec conditions (e.g. over-cycling) or in case of activation of WL oriented defects, the duration of erase processes may be increased by up to 50%.
- 4) Using 512 kByte / 256 kByte erase commands (PFlash / DFlash).
- 5) If the DataFlash is operated in Complement Sensing Mode the erase time is increased by $\text{erase_size} / 32\text{kByte} \times t_{ER_ADDC32C}$
- 6) Allows segmentation of addressable memory into 8 logical sectors; round robin cycling must still be done to consider erase disturb limit N_{DFD} .
- 7) Allows segmentation of addressable memory into 6 logical sectors; round robin cycling must still be done to consider erase disturb limit N_{DFD} .
- 8) Only valid when a robust EEPROM emulation algorithm is used. For more details see the Users Manual.

3.33 Quality Declarations

Table 3-76 Quality Parameters

Parameter	Symbol	Values			Unit	Note / Test Condition
		Min.	Typ.	Max.		
Moisture Sensitivity Level	MSL CC	-	-	3		Conforming to Jedec J-STD--020C for 240C
ESD susceptibility according to Charged Device Model (CDM)	V_{CDM} SR	-	-	500 ¹⁾	V	for all other balls/pins; conforming to JESD22-C101-C
		-	-	750	V	for corner balls/pins; conforming to JESD22-C101-C
ESD susceptibility according to Human Body Model (HBM)	V_{HBM} SR	-	-	2000 ²⁾	V	Conforming to JESD22-A114-B
ESD susceptibility of the LVDS pins according to Human Body Model (HBM)	V_{HBM1} SR	-	-	2000	V	
Operation Lifetime	t_{OP} CC	-	-	24500	hour	see below temperature profile as an example

1) Pads of the AGBT interface are limited to a maximum value of 250V.

2) Pads of the AGBT interface are limited to a maximum value of 1000V.

Example Temperature Profile

The following temperature profile is an example. Application specific temperature profiles need to be aligned and approved by Infineon Technologies for the fulfillment of quality and reliability targets.

Table 3-77 Example Temperature Profile

$T_J =$	Duration [h]	Comment
$\leq 170^\circ\text{C}$	≤ 30	
$\leq 160^\circ\text{C}$	≤ 120	
$\leq 150^\circ\text{C}$	≤ 220	
$\leq 140^\circ\text{C}$	≤ 350	
$\leq 130^\circ\text{C}$	≤ 780	
$\leq 120^\circ\text{C}$	≤ 1600	
$\leq 110^\circ\text{C}$	≤ 3000	
$\leq 100^\circ\text{C}$	≤ 7000	
$\leq 90^\circ\text{C}$	≤ 8000	
$\leq 80^\circ\text{C}$	≤ 2400	
$\leq 70^\circ\text{C}$	≤ 1000	
	≤ 24500	total time

Table 3-78 Example Inactive Lifetime Temperature Profile

T_J =	Duration [h]	Comment
$\leq 55^\circ\text{C}$	≤ 150700	

3.34 Package Outline

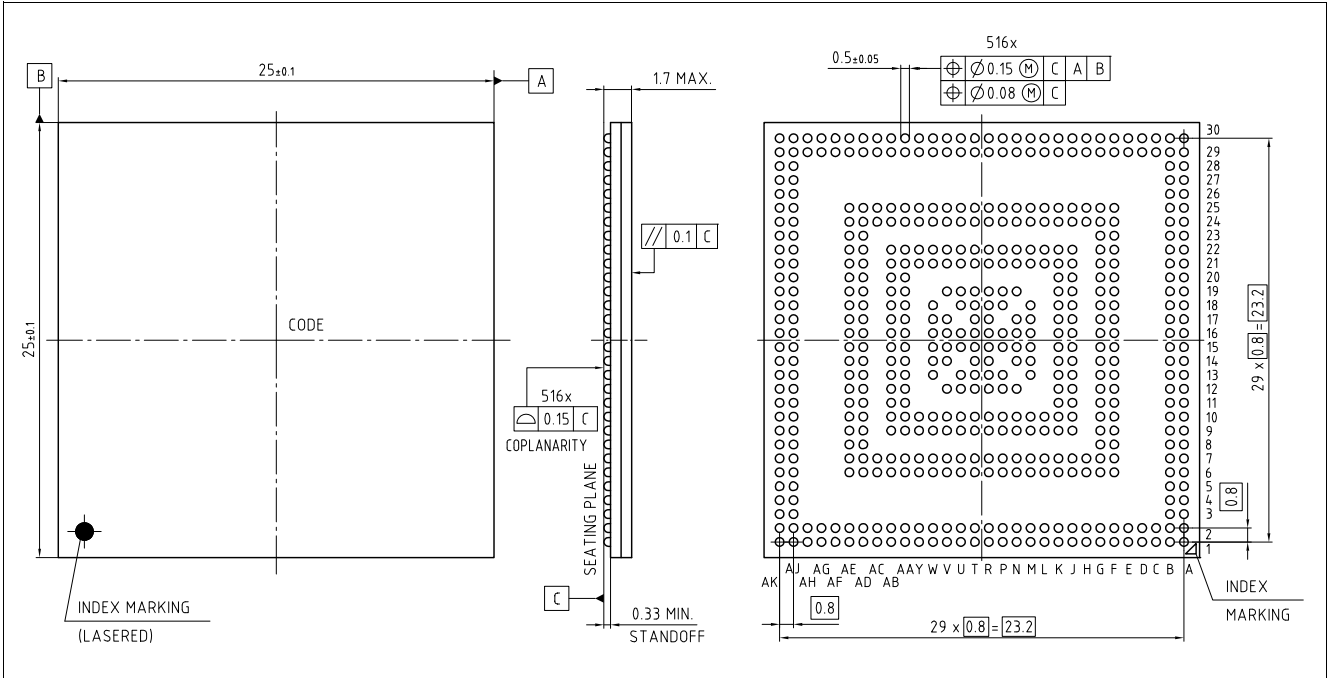


Figure 3-30 Package Outlines LFBGA-516

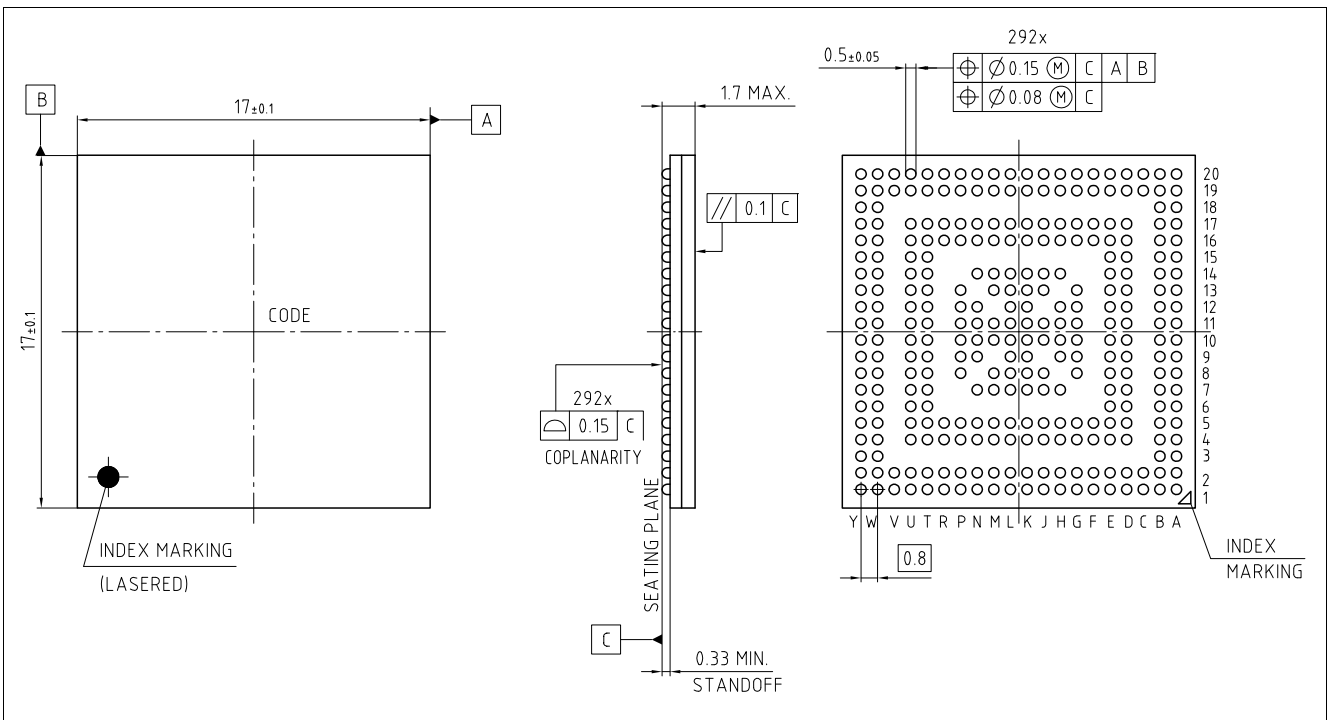


Figure 3-31 Package Outlines LFBGA-292

You can find all of our packages, sorts of packing and others in our Infineon Internet Page “Products”: <http://www.infineon.com/products>.

3.34.1 Package Parameters

Table 3-79 Package Parameters

Parameter	Symbol	Values			Unit	Note / Test Condition
		Min.	Typ.	Max.		
Thermal resistance (junction to ambient) ¹⁾	RTH_JA CC	-	-	14	K/W	LFPGA292
		-	-	12.2	K/W	LFPGA516
Thermal resistance (junction to case bottom) ¹⁾	RTH_JCB CC	-	-	4	K/W	LFPGA292
		-	-	3	K/W	LFPGA516
Thermal resistance (junction to case top) ¹⁾	RTH_JCT CC	-	-	5	K/W	LFPGA292
		-	-	5	K/W	LFPGA516

1) The top and bottom thermal resistances between the case and the ambient (RTH_CTA, RTH_CBA) are to be combined with the thermal resistances between the junction and the case given above (RTH_JCT, RTH_JCB), in order to calculate the total thermal resistance between the junction and the ambient (RTH_JA). The thermal resistances between the case and the ambient (RTH_CTA, RTH_CBA) depend on the external system (PCB, case) characteristics and are under user responsibility. The junction temperature can be calculated using the following equation: $T_J = T_A + RTH_JA * P_D$, where the RTH_JA is the total thermal resistance between the junction and the ambient.

Thermal resistances as measured by the 'cold plate method' (MIL SPEC-883 Method 1012.1).

4 History

Version 0.4 is the first version of this document.

4.1 Changes from Version 0.4 to Version 0.6

- Update table Platform Feature Overview
- Changes in Pin Definition and Functions
 - Add pad type RFAST to Legend
 - Corrected ball assignant to NC and NC1
 - P32.0 replace name from EVR13 to EVRC
 - P32.1 replace name from EVR13 to EVRC
 - Add Function description for GTM_TIM_INxx Symbols
 - Change numbering for GTM_TIM_INxx Symbols
 - Update Function description for CAN signals
 - Add missing Function description for EVADC
 - Add missing Function description for EDSADC
 - Add Function description for GTM_DTMxx Symbols
 - Update Function description for SCU_E_REQ signals
 - Change Symbol for SCU_E_REQ signals
 - Update Function description for SCU_PD_HWCFGx signals
 - Add QSPI5_SCLK to P14.10
 - Remove SDMMC_DS from P15.2
 - Remove PLL_WRAPPER_ANA_0_PAD_SYSCLK
 - Switch CBS_TGyz from inverted to non inverted
 - Change Symbol from HSCTPHY_1_RXDx to HSCT1_RXDx
 - Change Symbol from SCU_EMGSTOP_B_RIQ to SCU_EMGSTOP_PORT_B
 - Add CCUEXTCLK0
 - Add EDSADC_EDS9NB to AN70
 - Add EDSADC_EDS9NB to AN71
 - Add PMS_DCDCSYNCO to P32.4
 - Add DAP3 to P21.6
 - Remove SDMMC_DS from P15.2
 - ADD TDI to P21.6
 - Add DAPE1 to P21.6
 - Add DAP2 to P21.7
 - ADD TDO to P21.7
 - Remove DAP Function description from P21.7 Input
 - Change Symbol HSDPM_HSDPM_xxx to HSDPM_xxx
 - Switch EBU_x from inverted to non inverted
 - Add HSDPM_MUTE to P22.3
 - Add HSDPM_BS0 to P22.4

History Changes from Version 0.4 to Version 0.6

- Change P22.4 from SLOW to FAST
- Add HSDPM_BS1 to P22.5
- Change P22.5 from SLOW to FAST
- Change Symbol from SCU_EMGSTOP_A_RIQ to SCU_EMGSTOP_PORT_A
- Add EVADC_G5CH2 to AN50
- Add EDSADC_EDS9PB to AN70
- Add EDSADC_EDS9NB to AN71
- Add Buffer Type to ABGT Symbols
- Changes in table 'Overload Parameters' of Overload
 - Change max value of K_{OVDN} from $6 \cdot 10^{-4}$ to $1 \cdot 10^{-4}$
 - Change note of K_{OVDN} from 'Overload injected on GPIO non LVDS pad and affecting neighbor slow pads; $-2\text{mA} < I_{IN} < 0\text{mA}$ ' to 'Overload injected on GPIO non LVDS pad and affecting neighbor slow pads; $-5\text{mA} < I_{IN} < 0\text{mA}$ '
 - Change note of K_{OVDN} from ' $1.7 \cdot 10^{-3}$ ' to ' $3 \cdot 10^{-4}$ '
 - Change max value of K_{OVDN} from 0.3 to 0.5
 - Change note of K_{OVDN} from 'Overload injected on LVDS pad and affecting neighbor LVDS pads' to 'Overload injected on LVDS TX pad and affecting neighbor LVDS pads'
 - Change max value of K_{OVDP} from $5 \cdot 10^{-4}$ to $5 \cdot 10^{-3}$
 - Change note of K_{OVDP} from 'Overload injected on LVDS pad and affecting neighbor LVDS pads' to 'Overload injected on LVDS TX pad and affecting neighbor LVDS pads'
 - Change note of K_{OVDP} from ' $1 \cdot 10^{-5}$ ' to ' $1.5 \cdot 10^{-3}$ '
 - Change max value of K_{OVAN} from $1 \cdot 10^{-4}$ to $1 \cdot 10^{-5}$
 - Change note of K_{OVAN} from "Analog Inputs overlaid with class slow pads or pull down diagnostics; $-1\text{mA} < I_{IN} < 0\text{mA}$ " to "Analog Inputs overlaid with class slow pads or pull down diagnostics; $-5\text{mA} < I_{IN} < 0\text{mA}$ "
 - Change note of K_{OVAN} from ' $1 \cdot 10^{-3}$ ' to ' $1 \cdot 10^{-4}$ '
 - Change note of K_{OVAP} from ' $1 \cdot 10^{-5}$ ' to ' $2 \cdot 10^{-5}$ '
 - Change note of K_{OVAP} from ' $1 \cdot 10^{-4}$ ' to ' $2 \cdot 10^{-4}$ '
 - Add parameter I_{OUT}
- Operating Conditions
 - Change note of V_{DDM} from 'Upper voltage range' to "
 - Change note of V_{DDM} from 'Lower voltage range' to "
 - Change note of V_{EVRSB} from ' V_{EVRSB} is bonded together with V_{EXT} supply pin in smaller LQFP packages.' to "
- Changes in table 'PORST Pad' of Standard Pads
 - Change note of HYS from 'non of the neighbor pads are used as output; TTL' to 'non of the neighbor pads are used as output;TTL (degraded, used for CIF)'
 - Change min value of HYS from $0.1 \cdot V_{EXT/FLEX}$ V to $0.055 \cdot V_{EXT/FLEX}$ V
 - Change min value of I_{PDL} from $|18| \mu\text{A}$ to $|15| \mu\text{A}$
 - Change note of HYS from 'two of the neighbor pads are used as output with driver=strong and edge=sharp; TTL' to 'two of the neighbor pads are used as output with driver=strong and edge=sharp; TTL (degraded, used for CIF)'
- Changes in table 'Fast 5V GPIO' of Standard Pads
 - Change note of HYS from ' $0.1 \cdot V_{EXT/FLEX}$ V' to ' $0.09 \cdot V_{EXT/FLEX}$ V'
 - Change min value of HYS from $0.09 \cdot V_{EXT/FLEX}$ V to $0.075 \cdot V_{EXT/FLEX}$ V

HistoryChanges from Version 0.4 to Version 0.6

- Change min value of R_{DSON} from 140 Ohm to 125 Ohm
- Change typ value of R_{DSON} from 200 Ohm to 225 Ohm
- Change max value of R_{DSON} from 260 Ohm to 320 Ohm
- Change note of R_{DSON} from '35 Ohm' to '31 Ohm'
- Change note of R_{DSON} from '50 Ohm' to '55 Ohm'
- Change max value of R_{DSON} from 65 Ohm to 80 Ohm
- Change note of t_{RF} from ' $C_L = 25\text{pF}$; driver = strong sharp edge' to ' $C_L = 25\text{pF}$; driver = strong sharp edge; from $0.2 * V_{\text{EXT/FLEX}}$ to $0.8 * V_{\text{EXT/FLEX}}$ '
- Change max value of t_{RF} from 2.8 ns to 3.2 ns
- Change min value of t_{RF} from $0.5+0.075*C_L$ ns to $0.5+0.08*C_L$ ns
- Change note of t_{RF} from ' $0.5+0.15*C_L$ ns' to ' $1.0+0.17*C_L$ ns'
- Change note of t_{RF} from ' $2.5+0.18*C_L$ ns' to ' $1.0+0.18*C_L$ ns'
- Change note of t_{RF} from ' $2.5+0.35*C_L$ ns' to ' $5.0+0.35*C_L$ ns'
- Change max value of t_{RF} from $4+0.95*C_L$ ns to $12+1.0*C_L$ ns
- Change note of I_{OZ} from '-3900 nA' to '-5000 nA'
- Change note of I_{OZ} from '-3600 nA' to '-5000 nA'
- Change note of I_{OZ} from '-6700 nA' to '-9000 nA'
- Change note of I_{OZ} from '3900 nA' to '5000 nA'
- Change max value of I_{OZ} from 3600 nA to 5000 nA
- Change note of I_{OZ} from '6700 nA' to '9000 nA'
- Change note of t_{RF} from ' $C_L = 25\text{pF}$; driver = strong sharp edge' to ' $C_L = 25\text{pF}$; driver = strong sharp edge; from $0.2 * V_{\text{EXT/FLEX}}$ to $0.8 * V_{\text{EXT/FLEX}}$ '
- Change note of f_{IND} from " to 'AL and TTL'
- Change note of f_{OUTD} from " to 'medium driver'
- Change note of I_{PDL} from ' V_{IL} ; AL or TTL' to ' V_{IL} ; AL'
- Changes in table 'Fast 3.3V GPIO' of Standard Pads
 - Change min value of HYS from $0.065 * V_{\text{EXT/FLEX}}$ V to $0.055 * V_{\text{EXT/FLEX}}$ V
 - Change min value of HYS from $0.1 * V_{\text{EXT/FLEX}}$ V to $0.09 * V_{\text{EXT/FLEX}}$ V
 - Change min value of HYS from $0.07 * V_{\text{EXT/FLEX}}$ V to $0.055 * V_{\text{EXT/FLEX}}$ V
 - Change note of R_{DSON} from '140 Ohm' to '125 Ohm'
 - Change typ value of R_{DSON} from 200 Ohm to 225 Ohm
 - Change note of R_{DSON} from '300 Ohm' to '320 Ohm'
 - Change min value of R_{DSON} from 35 Ohm to 31 Ohm
 - Change typ value of R_{DSON} from 50 Ohm to 55 Ohm
 - Change max value of R_{DSON} from 77 Ohm to 80 Ohm
 - Change note of t_{RF} from ' $C_L = 25\text{pF}$; driver = strong sharp edge' to ' $C_L = 25\text{pF}$; driver = strong sharp edge; from $0.2 * V_{\text{EXT/FLEX}}$ to $0.8 * V_{\text{EXT/FLEX}}$ '
 - Change min value of t_{RF} from 2 ns to 1.6 ns
 - Change note of t_{RF} from ' $0.75+0.15*C_L$ ns' to ' $2.5+0.21*C_L$ ns'
 - Change min value of t_{RF} from $4+0.57*C_L$ ns to $2+0.57*C_L$ ns
 - Change note of t_{RF} from ' $1.5+0.38*C_L$ ns' to ' $8+0.4*C_L$ ns'
 - Change note of t_{RF} from ' $7+1.1*C_L$ ns' to ' $10+1.25*C_L$ ns'

HistoryChanges from Version 0.4 to Version 0.6

- Change note of I_{PUH} from '|19| μA ' to '|17| μA '
- Change min value of I_{PUH} from |9| μA to |11| μA
- Change min value of I_{PDL} from |18| μA to |15| μA
- Change min value of I_{OZ} from -4100 nA to -5000 nA
- Change note of I_{OZ} from '-3600 nA' to '-5000 nA'
- Change note of I_{OZ} from '-6700 nA' to '-9000 nA'
- Change note of I_{OZ} from '4100 nA' to '5000 nA'
- Change max value of I_{OZ} from 3600 nA to 5000 nA
- Change note of I_{OZ} from '6700 nA' to '9000 nA'
- Change note of t_{RF} from ' $C_L = 25\text{pF}$; driver = strong sharp edge' to ' $C_L = 25\text{pF}$; driver = strong sharp edge; from $0.2 * V_{EXT/FLEX}$ to $0.8 * V_{EXT/FLEX}$ '
- Change note of f_{OUTD} from " to 'medium driver'
- Changes in table 'Slow 5V GPIO' of Standard Pads
 - Change note of HYS from ' $0.1 * V_{EXT/FLEX}$ V' to ' $0.09 * V_{EXT/FLEX}$ V'
 - Change note of HYS from ' $0.09 * V_{EXT/FLEX}$ V' to ' $0.075 * V_{EXT/FLEX}$ V'
 - Change min value of R_{DSON} from 140 Ohm to 125 Ohm
 - Change typ value of R_{DSON} from 200 Ohm to 225 Ohm
 - Change note of R_{DSON} from '260 Ohm' to '320 Ohm'
 - Change max value of t_{RF} from $3.5+0.55*C_L$ ns to $7+0.55*C_L$ ns
 - Change note of t_{RF} from ' $4+0.95*C_L$ ns' to ' $12+1*C_L$ ns'
 - Change note of I_{PUH} from ' V_{IH} ; AL or TTL' to ' V_{IH} ; AL or TTL; except VGATE1P and $T_J > 150^\circ\text{C}$ '
 - Change note of I_{PUH} from ' V_{IL} ; AL or TTL' to ' V_{IL} ; AL or TTL; except VGATE1P and $T_J > 150^\circ\text{C}$ '
 - Change note of I_{PDL} from ' V_{IL} ; AL or TTL' to ' V_{IL} ; AL'
- Changes in table 'Slow 3.3V GPIO' of Standard Pads
 - Change note of HYS from ' $0.1 * V_{EXT/FLEX}$ V' to ' $0.09 * V_{EXT/FLEX}$ V'
 - Change min value of HYS from $0.065 * V_{EXT/FLEX}$ V to $0.055 * V_{EXT/FLEX}$ V
 - Change min value of HYS from $0.07 * V_{EXT/FLEX}$ V to $0.055 * V_{EXT/FLEX}$ V
 - Change min value of R_{DSON} from 140 Ohm to 125 Ohm
 - Change typ value of R_{DSON} from 200 Ohm to 225 Ohm
 - Change note of R_{DSON} from '300 Ohm' to '320 Ohm'
 - Change note of t_{RF} from ' $4+0.57*C_L$ ns' to ' $2+0.57*C_L$ ns'
 - Change max value of t_{RF} from $7+1.1*C_L$ ns to $10+1.25*C_L$ ns
 - Change note of I_{PUH} from ' V_{IH} ; AL and TTL (degraded, used for CIF)' to ' V_{IH} ; AL and TTL (degraded, used for CIF); except VGATE1P and $T_J > 150^\circ\text{C}$ '
 - Change min value of I_{PUH} from |19| μA to |17| μA
 - Change note of I_{PUH} from ' V_{IH} ; TTL' to ' V_{IH} ; TTL; except VGATE1P and $T_J > 150^\circ\text{C}$ '
 - Change min value of I_{PUH} from |9| μA to |11| μA
 - Change note of I_{PDL} from '|18| μA ' to '|15| μA '
 - Change note of I_{PUH} from ' V_{IL} ; AL and TTL and TTL (degraded, used for CIF)' to ' V_{IL} ; AL and TTL and TTL (degraded, used for CIF); except VGATE1P and $T_J > 150^\circ\text{C}$ '
 - Change note of f_{OUTD} from " to 'medium driver'
- Changes in table 'Class S 5V' of Standard Pads

History Changes from Version 0.4 to Version 0.6

- Change note of *HYS* from ' $0.1 * V_{EXT/FLEX} V$ ' to ' $0.09 * V_{EXT/FLEX} V$ '
- Change min value of *HYS* from $0.09 * V_{EXT/FLEX} V$ to $0.075 * V_{EXT/FLEX} V$
- Change note of I_{PDL} from ' $V_{IL}; AL$ or TTL ' to ' $V_{IL}; AL$ '
- Change note of I_{OZ} from ' $T_J \leq 150^\circ C$; PDD option available, or AltRef option available and EDSADC channel connected or AN70 or AN71' to ' $T_J \leq 150^\circ C$; PDD option available, or AltRef option available and EDSADC channel connected, or two EDSADC channels connected'
- Changes in table 'RFast 3.3V pad' of Standard Pads
 - Change note of *HYS* from ' $0.065 * V_{EXT/FLEX} V$ ' to ' $0.055 * V_{EXT/FLEX} V$ '
 - Change note of *HYS* from ' $0.1 * V_{EXT/FLEX} V$ ' to ' $0.09 * V_{EXT/FLEX} V$ '
 - Change note of *HYS* from ' $0.07 * V_{EXT/FLEX} V$ ' to ' $0.055 * V_{EXT/FLEX} V$ '
 - Change min value of R_{DSON} from 140 Ohm to 125 Ohm
 - Change note of R_{DSON} from '200 Ohm' to '225 Ohm'
 - Change note of R_{DSON} from '300 Ohm' to '320 Ohm'
 - Change min value of R_{DSON} from 35 Ohm to 31 Ohm
 - Change typ value of R_{DSON} from 50 Ohm to 55 Ohm
 - Change max value of R_{DSON} from 77 Ohm to 80 Ohm
 - Change min value of R_{DSON} from 10 Ohm to 8 Ohm
 - Change note of t_{RF} from ' $C_L = 25pF$; driver = strong sharp edge' to ' $C_L = 25pF$; driver = strong sharp edge; from $0.2 * V_{EXT/FLEX}$ to $0.8 * V_{EXT/FLEX}$ '
 - Change min value of t_{RF} from 2 ns to 1.6 ns
 - Change min value of t_{RF} from $4+0.57*C_L$ ns to $2+0.57*C_L$ ns
 - Change note of t_{RF} from ' $0.75+0.15*C_L$ ns' to ' $2.5+0.21*C_L$ ns'
 - Change max value of t_{RF} from $1.5+0.38*C_L$ ns to $8+0.4*C_L$ ns
 - Change note of t_{RF} from ' $7+1.1*C_L$ ns' to ' $10+1.25*C_L$ ns'
 - Change min value of I_{PUH} from |19| μA to |17| μA
 - Change note of I_{PUH} from '|9| μA ' to '|11| μA '
 - Change note of I_{PDL} from '|18| μA ' to '|15| μA '
 - Change note of t_{RF} from ' $C_L = 25pF$; driver = strong sharp edge' to ' $C_L = 25pF$; driver = strong sharp edge; from $0.2 * V_{EXT/FLEX}$ to $0.8 * V_{EXT/FLEX}$ '
 - Change note of f_{OUTD} from " to 'medium driver'
- Changes in table 'RFast 5V GPIO' of Standard Pads
 - Change min value of *HYS* from $0.1 * V_{EXT/FLEX} V$ to $0.09 * V_{EXT/FLEX} V$
 - Change note of *HYS* from ' $0.09 * V_{EXT/FLEX} V$ ' to ' $0.075 * V_{EXT/FLEX} V$ '
 - Change min value of R_{DSON} from 140 Ohm to 125 Ohm
 - Change note of R_{DSON} from '260 Ohm' to '320 Ohm'
 - Change note of R_{DSON} from '200 Ohm' to '225 Ohm'
 - Change note of R_{DSON} from '35 Ohm' to '31 Ohm'
 - Change max value of R_{DSON} from 65 Ohm to 80 Ohm
 - Change note of R_{DSON} from '50 Ohm' to '55 Ohm'
 - Change min value of t_{RF} from $2.5+0.18*C_L$ ns to $1.0+0.18*C_L$ ns
 - Change note of t_{RF} from ' $C_L = 25pF$; driver = strong sharp edge' to ' $C_L = 25pF$; driver = strong sharp edge; from $0.2 * V_{EXT/FLEX}$ to $0.8 * V_{EXT/FLEX}$ '
 - Change note of t_{RF} from '2.8 ns' to '3.2 ns'

History Changes from Version 0.4 to Version 0.6

- Change note of t_{RF} from '0.5+0.075* C_L ns' to '0.5+0.08* C_L ns'
- Change max value of t_{RF} from 0.5+0.15* C_L ns to 1.0+0.17* C_L ns
- Change note of t_{RF} from '4+0.95* C_L ns' to '12+1.0* C_L ns'
- Change max value of t_{RF} from 2.5+0.35* C_L ns to 5.0+0.35* C_L ns
- Change note of t_{RF} from ' $C_L = 25$ pF; driver = strong sharp edge' to ' $C_L = 25$ pF; driver = strong sharp edge; from 0.2 * $V_{EXT/FLEX}$ to 0.8 * $V_{EXT/FLEX}$ '
- Change note of f_{IND} from " to 'AL and TTL'
- Change note of f_{OUTD} from " to 'medium driver'
- Change note of I_{PDL} from ' V_{IL} ; AL or TTL' to ' V_{IL} ; AL'
- Changes in table 'Class D' of Standard Pads
 - Update footnote of *Standard Pads* to 'For AN11 200 nA need to be added.'
 - Change note of I_{OZ} from ' $T_J \leq 150^\circ\text{C}$; PDD option available, or AltRef option available and EDSADC channel connected' to ' $T_J \leq 150^\circ\text{C}$; PDD option available, or AltRef option available and EDSADC channel connected, or two EDSADC channels connected'
- Changes in table 'LVDS - IEEE standard LVDS general purpose link (GPL)' of LVDS Pads
 - Change max value of t_{rise20} from 0.5 ns to 0.75 ns
 - Change max value of t_{fall20} from 0.5 ns to 0.75 ns
 - Change max value of V_{OD} from 450 mV to 500 mV
 - Change min value of V_{OD} from 360 mV to 380 mV
- VADC 5V
 - Change max value of dV_{CSD} from 20 % to 10 %
 - Change note of dV_{CSD} from '-20 %' to '-10 %'
 - Change note of f_{ADCI} from 'Upper voltage range' to ' $4.5\text{V} \leq V_{DDM} \leq 5.5\text{V}$ '
 - Change note of t_{SCAL} from 'Upper voltage range' to ' $4.5\text{V} \leq V_{DDM} \leq 5.5\text{V}$ '
 - Change note of f_{ADCI} from 'Lower voltage range' to ' $2.97\text{V} \leq V_{DDM} < 4.5\text{V}$ '
 - Change note of t_S from 'Primary group or fast compare channel, upper voltage range; input buffer disabled' to 'Primary group or fast compare channel, $4.5\text{V} \leq V_{DDM} \leq 5.5\text{V}$; input buffer disabled'
 - Change note of t_{SCAL} from 'Lower voltage range' to ' $2.97\text{V} \leq V_{DDM} < 4.5\text{V}$ '
 - Change note of t_S from 'Primary group or fast compare channel, upper voltage range; input buffer enabled' to 'Primary group or fast compare channel, $4.5\text{V} \leq V_{DDM} \leq 5.5\text{V}$; input buffer enabled'
 - Change note of t_S from 'Secondary group, upper voltage range; input buffer disabled' to 'Secondary group, $4.5\text{V} \leq V_{DDM} \leq 5.5\text{V}$; input buffer disabled'
 - Change note of t_S from 'Secondary group, upper voltage range; input buffer enabled' to 'Secondary group, $4.5\text{V} \leq V_{DDM} \leq 5.5\text{V}$; input buffer enabled'
 - Change note of t_S from 'Primary Group or fast compare channel, lower voltage range; input buffer disabled' to 'Primary Group or fast compare channel, $2.97\text{V} \leq V_{DDM} < 4.5\text{V}$; input buffer disabled'
 - Change note of t_S from 'Primary group or fast compare channel, lower voltage range; input buffer enabled' to 'Primary group or fast compare channel, $2.97\text{V} \leq V_{DDM} < 4.5\text{V}$; input buffer enabled'
 - Change note of t_S from 'Secondary group, lower voltage range; input buffer disabled' to 'Secondary group, $2.97\text{V} \leq V_{DDM} < 4.5\text{V}$; input buffer disabled'
 - Change note of t_S from 'Secondary group, lower voltage range; input buffer enabled' to 'Secondary group, $2.97\text{V} \leq V_{DDM} < 4.5\text{V}$; input buffer enabled'
- DSADC 5V
 - Update wording in front of table DSADC 5V

History Changes from Version 0.4 to Version 0.6

- Change note of DCF from ' $10^{-5} f_D$, offset compensation filter enabled (FCFGMx.OEN = 001_B)' to ' $10^{-5} f_D$, offset compensation filter enabled (FCFGMx.OCEN = 001_B)'
- OSC_XTAL
 - Change note of C_{L1} from '2.35 pF' to '3.35 pF'
 - Add parameter C_{XTAL1}
- Changes in table 'DTS PMS' of DTS
 - Change max value of t_M from 2.6 ms to 2.7 ms
- Add table 'DTS Core'
- Current Consumption
 - Change max value of I_{DDRAIL} from 1370 mA to 1372 mA
 - Change T_J in real power pattern definition from 150°C to 160°C
- Changes in table 'Module Core Current Consumption' of Current Consumption
 - Change name of *Module Core Current Consumption* from Module Core Current Consumption to Module Core Current Consumption
 - Change note of $I_{DDC_{x0}}$ from 'real power pattern' to 'real power pattern; IPC=0.6'
 - Change max value of $I_{DDC_{x0}}$ from 40 mA to 45 mA
 - Change note of $I_{DDC_{x0}}$ from "max power pattern" to "max power pattern; IPC=1.2"
 - Change note of $I_{DDC_{x0}}$ from '60 mA' to '70 mA'
 - Change note of $I_{DDC_{xx}}$ from "max power pattern" to "max power pattern; IPC=1.2"
 - Change note of $I_{DDC_{xx}}$ from ' $I_{DDC_{x0}} + 60$ mA' to ' $I_{DDC_{x0}} + 50$ mA'
 - Change note of I_{DDGTM} from 'real power pattern; TIMx, TOMx, ATOMx, MCSx active. 5 clusters at 200 MHz.' to 'real power pattern; TIMx, TOMx, ATOMx, MCSx active. 3 clusters at 200 MHz.'
 - Change max value of I_{DDGTM} from 60 mA to 130 mA
 - Change note of I_{DDGTM} from '88 mA' to '160 mA'
 - Change note of I_{DDSPU} from "CTRL.DIV = 01 ; FFT clocked at half SPU Clock" to "CTRL.DIV = 01 ; FFT clocked at half SPU Clock; Both SPU modules are active."
 - Change note of I_{DDSPU} from '60 mA' to '70 mA'
 - Change note of I_{DDCIF} from '20 mA' to '30 mA'
 - Change note of $I_{DDBMBIST}$ from '100 mA' to '200 mA'
 - Change note of $I_{DDC_{xx}}$ from 'real power pattern' to 'real power pattern; IPC=0.6'
 - Change note of I_{DDGTM} from 'TIMx, TOMx active at 100MHz. ATOMx, MCSx, DPLL inactive.' to 'TIMx, TOMx active at 100MHz. ATOMx, MCSx, DPLL inactive. 2 clusters at 100 MHz.'
 - Change max value of I_{DDGTM} from 20 mA to 60 mA
 - Change note of $I_{EXTRAIL}$ from '58 mA' to '54 mA'
 - Change max value of $I_{EXTRAIL}$ from t.b.d mA to 60 mA
 - Change max value of $I_{EXTFLEX}$ from 30 mA to 22 mA
- Changes in table 'Module Current Consumption' of Current Consumption
 - Change max value of $I_{EXTLVDS}$ from t.b.d mA to 20 mA
 - Change max value of I_{SCRSB} from 4 mA to 6.5 mA
 - Change description of I_{SCRSB} from 'SCR 8-bit Standby Controller in STANDBY Mode drawn at V_{EVRSB} supply pin' to 'SCR 8-bit Standby Controller current incl. PMS in STANDBY Mode drawn at V_{EVRSB} supply pin'

HistoryChanges from Version 0.4 to Version 0.6

- Change note of $I_{\text{SCR}_{\text{RSB}}}$ from 'SCR power pattern; $f_{\text{SYS_SCR}} = 20\text{MHz}$; $T_{\text{J}}=150^{\circ}\text{C}$ ' to 'SCR power pattern incl. PMS current consumption with fback clock active; $f_{\text{SYS_SCR}} = 20\text{MHz}$; $T_{\text{J}}=150^{\circ}\text{C}$ '
- Change note of $I_{\text{SCR}_{\text{RSB}}}$ from 'real power pattern; $f_{\text{SYS_SCR}} = 70\text{kHz}$; $T_{\text{J}}=25^{\circ}\text{C}$ ' to 'SCR power pattern incl. PMS current consumption with fback inactive; $f_{\text{SYS_SCR}} = 70\text{kHz}$; $T_{\text{J}}=25^{\circ}\text{C}$ '
- Change typ value of $I_{\text{SCR}_{\text{RSB}}}$ from 0.025 mA to 0.190 mA
- Change description of $I_{\text{SCR}_{\text{RSB}}}$ from 'SCR 8-bit Standby Controller in STANDBY Mode drawn at $V_{\text{EVR}_{\text{RSB}}}$ supply pin' to 'SCR 8-bit Standby Controller current incl. PMS in STANDBY Mode drawn at $V_{\text{EVR}_{\text{RSB}}}$ supply pin'
- Change note of I_{DDM} from "real power pattern ; current for EDSADC module only; 11 EDSADC channels active." to "real power pattern; current for EDSADC modules only and EVADC modules are inactive; 11 EDSADC channels active continuously."
- Change note of I_{DDM} from '66 mA' to '44 mA'
- Change note of I_{DDM} from 'max power pattern; All EDSADC channels active 100% time.' to 'max power pattern; current for EDSADC modules only and EVADC modules are inactive; all EDSADC channels active continuously.'
- Change max value of I_{DDM} from 84 mA to 63 mA
- Change note of I_{DDM} from 'real pattern;12 EVADC modules active' to 'real power pattern; current for EVADC modules only and EDSADC modules are inactive; 12 EVADC modules active.'
- Change note of I_{DDM} from 'max power pattern; All EVADC modules are active 100% time' to 'max power pattern; current for EVADC modules only and EDSADC modules are inactive; all EVADC modules active.'
- Change max value of I_{DDM} from 26 mA to 20 mA
- Change max value of I_{DDM} from 82 mA to 60 mA
- Change max value of I_{DDTOT} from 1506 mA to 1536 mA
- Change note of I_{DDTOTDC3} from 'real power pattern; $V_{\text{EXT}} = 3.3\text{V}$; $T_{\text{J}}=160^{\circ}\text{C}$ ' to 'real power pattern; EVRC reset settings with 72% efficiency; $V_{\text{EXT}} = 3.3\text{V}$; $T_{\text{J}}=160^{\circ}\text{C}$ '
- Change max value of I_{DDTOTDC3} from 830 mA to 980 mA
- Change description of I_{DDTOTDC3} from ' Σ Sum of all currents with DC-DC EVR13 regulator active' to ' Σ Sum of all currents with DC-DC EVRC regulator active'
- Change note of I_{DDTOTDC5} from 'real power pattern; $V_{\text{EXT}} = 5\text{V}$; $T_{\text{J}}=160^{\circ}\text{C}$ ' to 'real power pattern; EVRC reset settings with 72% efficiency; $V_{\text{EXT}} = 5\text{V}$; $T_{\text{J}}=160^{\circ}\text{C}$ '
- Change max value of I_{DDTOTDC5} from 600 mA to 670 mA
- Change description of I_{DDTOTDC5} from ' Σ Sum of all currents with DC-DC EVR13 regulator active' to ' Σ Sum of all currents with DC-DC EVRC regulator active'
- Change note of I_{SLEEP} from '10 mA' to '25 mA'
- Change note of PD from 't.b.d. mW' to '3220 mW'
- Change max value of PD from 2560 mW to 2500 mW
- Change max value of $I_{\text{EVR}_{\text{RSB}}}$ from 4 mA to 8 mA
- Change note of $I_{\text{EVR}_{\text{RSB}}}$ from 'real power pattern; PMS/EVR module current considered without SCR and Standby RAM' to 'real power pattern; PMS/EVR module current considered without SCR and Standby RAM during RUN mode.'
- Change max value of I_{DDTOT} from 1690 mA to 1720 mA
- Reset
 - Change min value of t_{POH} from 100 ns to 150 ns
 - Change note of t_{BP} from ' $dV/dT=1\text{V/ms}$. including EVR ramp-up and Firmware execution time; RAM initialization and HSM boot time is not included' to ' $dV_{\text{EXT}}/dT=1\text{V/ms}$. $V_{\text{EXT}}>VLVDRST5$. Boot time after

HistoryChanges from Version 0.4 to Version 0.6

- Cold PORST including EVR ramp-up and Firmware execution time; RAM initialization and HSM boot time are not included.'
- Change note of t_B from 'operating with max. frequencies' to 'operating with max. frequencies, with valid BMI header'
 - Change note of t_{BS} from '' to 'RAM initialization and HSM boot time are not included, with valid BMI header'
 - Change note of t_{BP} from 'Firmware execution time; without EVR ramp-up; RAM initialization and HSM boot time is not included' to 'Firmware execution time after warm PORST without EVR ramp-up; RAM initialization and HSM boot time is not included'
 - Change type of t_{POA} from CC to SR
 - Change description of t_{POA} from 'Minimum PORST active hold time externally after power supplies are stable at operating levels' to 'Minimum PORST active hold time externally after power supplies are stable at operating levels after start-up'
- PMS/EVR33 LDO
 - Change note of dV_{out}/dI_{out} from 'Normal RUN mode; $dI=10$ to 60 to $100mA$; $dt=20ns$; $T_{settle}=20us$ ' to 'Normal RUN mode; $dI=10$ to $60mA$; $dt=20ns$; $T_{settle}=20us$ '
 - Change note of dV_{out}/dI_{out} from 'Normal RUN mode; $dI=100$ to 60 to $10mA$; $dt=20ns$; $T_{settle}=20us$ ' to 'Normal RUN mode; $dI=60$ to $10mA$; $dt=20ns$; $T_{settle}=20us$ '
 - Change note of dV_{out}/dV_{in} from ' $dV_{in}/dT=1V/ms$; $dV= 5$ to $3.6V$ ' to ' $dV_{in}/dT=1V/ms$; $dV= 5$ to $3.6V$; $I_{MAX}=60mA$ '
 - Change note of dV_{out}/dV_{in} from ' $dV_{in}/dT=1V/ms$; $dV= 3.6$ to $5V$ ' to ' $dV_{in}/dT=1V/ms$; $dV= 3.6$ to $5V$; $I_{MAX}=60mA$ '
 - Change typ value of C_{OUT} from $1 \mu F$ to $2.2 \mu F$
 - Change note of C_{OUT} from ' $1.35 \mu F$ ' to ' $3 \mu F$ '
 - Change min value of C_{OUT} from $0.65 \mu F$ to $1.45 \mu F$
 - Change min value of dV_{out}/dI_{out} from -100 mV to -180 mV
 - Change max value of dV_{out}/dI_{out} from 100 mV to 180 mV
 - Change note of I_{MAX} from ' 100 mA' to ' 60 mA'
 - Change note of dV_{out}/dV_{in} from ' $dV_{in}/dT=50V/ms$; $dV= 5$ to $3.6V$ ' to ' $dV_{in}/dT=50V/ms$; $dV= 5$ to $3.6V$; $I_{MAX}=60mA$ '
 - Change note of dV_{out}/dV_{in} from ' $dV_{in}/dT=50V/ms$; $dV= 3.6$ to $5V$ ' to ' $dV_{in}/dT=50V/ms$; $dV= 3.6$ to $5V$; $I_{MAX}=60mA$ '
 - PMS/Supply Monitors
 - Change max value of $V_{LVDRST5}$ from 2.7 V to 2.75 V
 - Change note of $V_{LVDRST5}$ from ' 2.67 V' to ' 2.72 V'
 - Change note of V_{RST33} from 'by reset release before EVR trimming on supply ramp-up.' to 'by last cold PORST release on supply ramp-up including voltage hysteresis.'
 - Change note of V_{RSTC} from 'by reset release before trimming on supply ramp-up including 2 LSB voltage Hysteresis' to 'by last cold PORST release on supply ramp-up including voltage hysteresis.'
 - Change note of V_{RST5} from 'by reset release before trimming on supply ramp-up including 2 LSB voltage hysteresis' to 'by last cold PORST release on supply ramp-up including voltage hysteresis.'
 - PMS/Supply Ramp
 - Change description of SR_V_EXT from 'External V_{EXT} & V_{EVRSB} supply ramp' to 'External V_{EXT} & V_{EVRSB} supply ramp-up and ramp-down slope'
 - Change description of SR_V_DDP3 from 'External V_{DDP3} supply ramp' to 'External V_{DDP3} supply ramp-up and ramp-down slope'

History Changes from Version 0.4 to Version 0.6

- Change description of *SR_V_DD* from 'External V_{DD} supply ramp' to 'External V_{DD} supply ramp-up and ramp-down slope'
- Change description of *SR_V_DDM* from 'External V_{DDM} supply ramp' to 'External V_{DDM} supply ramp-up and ramp-down slope'
- Changes in table 'EVRC SMPS' of PMS/EVRC SMPS
 - Change name of *EVRC SMPS* from EVR13 SMPS to EVRC SMPS
- Changes in table 'EVRC SMPS External components' of PMS/EVRC SMPS
 - Change name of *EVRC SMPS External components* from EVR13 SMPS External components to EVRC SMPS External components
- Changes in section JTAG Parameters
 - Update figure Test Clock Timing (TCK)
- Changes in section DAP Parameters
 - Combine figures Test Clock Timing (DAP0), DAP Timing Host to Device, and DAP Timing Device to Host (DAP1 and DAP2 pins) into single figure DAP Timing
 - Add t_{14} for condition F=40MHz
 - Add t_{15} for condition F=40MHz
 - Add t_{16} for condition F=40MHz
- Changes in table 'Master Mode strong sharp (ss) output pads' of ASCLIN
 - Change min value of t_{51} from -3 ns to -3.5 ns
 - Change note of t_{51} from '3 ns' to '3.5 ns'
 - Change max value of t_{510} from 3 ns to 3.5 ns
- Changes in table 'Master Mode Timing, LVDS output pads for data and clock' of QSPI
 - Change max value of t_{51} from 3 ns to 4 ns
 - Change min value of t_{52} from 17 ns to 18 ns
- Changes in table 'Strong sharp (ss) driver for clock/data valid for 5V' of MSC
 - Change note of t_{45} from '-3 ns' to '-4 ns'
 - Change min value of t_{44} from -3 ns to -4 ns
- Changes in table 'ETH RGMII Signal Timing Parameters valid for 3.3V' of Ethernet
 - Add parameter t_{21}
- Changes in table 'ETH RMII Signal Timing Parameters valid for 3.3V' of Ethernet
 - Change description of t_{16} from 'ETHTXEN, ETHTXD[1:0], ETHRXD[1:0], ETHCRSDV, ETHRXER; setup time' to 'ETHTXEN, ETHTXD[1:0], ETHRXD[1:0], ETHCRSDV; setup time'
 - Change description of t_{17} from 'ETHTXEN, ETHTXD[1:0], ETHRXD[1:0], ETHCRSDV, ETHRXER; hold time' to 'ETHTXEN, ETHTXD[1:0], ETHRXD[1:0], ETHCRSDV; hold time'
- Changes in table 'HSCT - Rx/Tx setup timing' of LVDS Pads
 - Change max value of t_{tx} from 250 ns to 280 ns
- Removed section CIF
- SDDMM
 - Change note of t_5 from ' $C_L \leq 30\text{pF}$ ' to ' $C_L \leq 30\text{pF}$, $V_{EXT} = 3.3\text{V}$ '
 - Change min value of t_5 from -3 ns to 3 ns
 - Change description of t_5 from 'Data output delay time' to 'Data output valid time before rising clock edge'
 - Change note of t_6 from " $C_L \leq 30\text{pF}$ " to " $C_L \leq 30\text{pF}$, $V_{EXT} = 3.3\text{V}$ "
 - Change note of t_6 from 'max' to 'min'

HistoryChanges from Version 0.6 to Version 0.7

- Change note of t_6 from '13,7 ns' to '3 ns'
- Change description of t_6 from 'Data input delay time' to 'Data output valid time after rising clock edge'
- Change description of t_8 from 'Output hold time' to 'Data Input delay time'
- Add parameter t_9
- Change note of t_1 from 'push-pull, $C_L \leq 30\text{pF}$, tolerance $\pm 100\text{kHz}$ ' to 'push-pull, $C_L \leq 30\text{pF}$, $V_{\text{EXT}} = 3.3\text{V}$ '
- Change predicate of t_1 from max to min
- Change note of t_2 from 'open-drain, $C_L \leq 30\text{pF}$, tolerance $\pm 20\text{kHz}$ ' to 'open-drain, $C_L \leq 30\text{pF}$, $V_{\text{EXT}} = 3.3\text{V}$ '
- Change note of t_3 from ' $C_L \leq 30\text{pF}$ ' to ' $C_L \leq 30\text{pF}$, $V_{\text{EXT}} = 3.3\text{V}$ '
- Change note of t_4 from ' $C_L \leq 30\text{pF}$ ' to ' $C_L \leq 30\text{pF}$, $V_{\text{EXT}} = 3.3\text{V}$ '
- Change note of t_7 from ' $C_L \leq 30\text{pF}$ ' to ' $C_L \leq 30\text{pF}$, $V_{\text{EXT}} = 3.3\text{V}$, TTL levels'
- Flash
 - Change note of $t_{\text{ER_Dev}}$ from '' to 'Valid for less than 1000 cycles, w/o UCB. Derived value for documentation purpose.'
 - Change note of $t_{\text{ER_Dev}}$ from 'Derived value for documentation purpose' to 'Valid for less than 1000 cycles, w/o UCB. Derived value for documentation purpose.'
- ED Current Consumption
 - Change max value of I_{DDSB} from 8 mA to 15 mA
 - Change note of I_{DDSB} from '27 mA' to '34 mA'
- Package Parameters
 - Update table Thermal Characteristics of the Package
 - Change package type from PG-LFBGA-516-9 to PG-LFBGA-516-10
 - Change package type from PG-LFBGA-292-9 to PG-LFBGA-292-10

4.2 Changes from Version 0.6 to Version 0.7

- Added preamble to AGBT stating that AGBT is lab-only interface without full test coverage
- Changes in table "Absolute Maximum Ratings"
 - Change value of Parameter "VDDM"
 - Change value of Parameter "VIN"
 - Change value of Parameter "VIN"
- Changes in table "Master Mode strong sharp (ss) output pads"
 - Change value of Parameter "t51"
 - Change value of Parameter "t510"
- Changes in table "Current Consumption"
 - Change condition of Parameter "IDDPORST"
 - Change value of Parameter "IDDRAIL"
 - Change value of Parameter "IEVRSB"
 - Change value of Parameter "IEXTFLEX"
 - Change value of Parameter "ISLEEP"
 - Change condition of Parameter "ISTANDBY"
 - Change value of Parameter "ISTANDBY"
 - Change of Parameter "IDDRAIL" description

HistoryChanges from Version 0.6 to Version 0.7

- Footnote added to Parameter "IDDP3RAIL"
- Footnote added to Parameter "IEXTFLEX"
- Footnote added to Parameter "IEVRSB"
- Footnote added to Parameter "ISLEEP"
- Changes in table "Module Core Current Consumption"
 - Change condition of Parameter "IDDLBIST"
 - Change value of Parameter "IDDLBIST"
 - Footnote added to Parameter "IDDLBIST"
 - Change condition of Parameter "IDDMBIST"
 - Change value of Parameter "IDDMBIST"
 - Change condition of Parameter "IDDSPU1"
 - Change value of Parameter "IDDSPU1"
 - Change value of Parameter "IDDSPULJ1"
 - Parameter "IDDCIF" deleted
 - New Parameter "IDDSPU2" added
 - New Parameter "IDDSPULJ1" added
 - New Parameter "IDDSPULJ2" added
- Changes in table "Module Current Consumption"
 - Change value of Parameter "IDDP3PROG"
 - Change value of Parameter "ISCRIDLE"
 - Change condition of Parameter "ISCRSB"
 - Change value of Parameter "ISCRSB"
 - Footnote added to Parameter "IEXTLVDS"
 - New Parameter "IDDP3ERASE" added
- Changes in table "DSADC 5V"
 - Change preamble
 - Change value of Parameter "EDGAIN"
 - Change value of Parameter "EDOFF"
 - Change value of Parameter "IREF"
 - Change value of Parameter "IRMS"
 - Change of Parameter "IREF" description
 - Footnote added to Parameter "IRMS"
 - Footnote added to Parameter "EDGAIN"
 - Footnote added to Parameter "EDOFF"
 - Footnote added to Parameter "SNR"
 - Footnote added to Parameter "SFDR"
- Changes in table "DTS PMS"
 - Change value of Parameter "tM"
- Changes in table "ED Current Consumption"
 - Change value of Parameter "IEXTAGBT"
 - Parameter "VDDAGBT" deleted
 - Footnote changed of Parameter "VDDEEC"

HistoryChanges from Version 0.6 to Version 0.7

- Changes in table "Transmit Parameters"
 - Change of Parameter "tdCCxEN10" description
- Changes in table "EVR33 LDO"
 - Change value of Parameter "IMAX"
 - Change condition of Parameter "VinVoutRatio"
 - Change value of Parameter "VinVoutRatio"
 - Change condition of Parameter "VoutIOutRatio"
 - Change value of Parameter "VoutIOutRatio"
 - Change condition of Parameter "tSTR"
 - New Parameter "dVOUTTC" added
- Changes in table "EVRC SMPS"
 - Change value of Parameter "dVDDDC"
 - Change condition of Parameter "fDCDC"
- Changes in table "Flash"
 - Change condition of Parameter "NE_EEP10S"
 - Change condition of Parameter "NE_HSMS"
- Changes in table "HSCT - Rx/Tx setup timing"
 - Change value of Parameter "ttx"
- Changes in table "LVDS - IEEE standard LVDS general purpose link (GPL)"
 - Change condition of Parameter "Rin"
 - Change value of Parameter "VOD"
 - Change value of Parameter "tfall20"
 - Change value of Parameter "trise20"
 - New Parameter "tSET" added
 - Corrected "LVDSH" to "LVDS"
- Changes in table "LVDS clock/data (LVDS pads in LVDS mode) valid for 5V"
 - Change condition of Parameter "t40"
 - Change condition of Parameter "t400"
- Changes in table "Strong sharp (ss) driver for clock/data valid for 5V"
 - Change value of Parameter "t44"
 - Change value of Parameter "t45"
- Changes in table "Operating Conditions"
 - Change condition of Parameter "TA"
- Changes in table "OSC_XTAL"
 - New Parameter "IHBX" added
 - Change value of Parameter "CXTAL1"
 - Remove Parameter VILBX
- Changes in table "Overload"
 - Change condition of Parameter "IINANA"
 - Parameter "IID" deleted
- Changes in table "Package Parameters"
 - Change value of Parameter "RTH_JA"

HistoryChanges from Version 0.6 to Version 0.7

- Change value of Parameter "RTH_JCB"
- Change value of Parameter "RTH_JCT"
- Changes in table "PLL Peripheral"
 - Change condition of Parameter "DP"
 - Change condition of Parameter "DRMS"
 - Change value of Parameter "DPP"
 - Change Parameter description of "DPP"
 - New Parameter "JABS25" added
 - New Parameter "DPPI" added
- Changes in table "Master Mode Timing, LVDS output pads for data and clock"
 - Change value of Parameter "t51"
 - Change value of Parameter "t52"
- Changes in table "Quality"
 - Change of Parameter "VHBM1" description
 - Footnote added to Parameter "VCCM"
 - Footnote added to Parameter "VHBM"
- Changes in table "Reset"
 - Change condition of Parameter "tB"
 - Change value of Parameter "tB"
 - Change condition of Parameter "tBP"
 - Change value of Parameter "tBS"
 - Change value of Parameter "tBWP"
 - Change condition of Parameter "tLBIST"
 - Footnote added to Parameter "tBP"
 - Change of Parameter "tBP" description
 - Change of Parameter "tLBIST" description
- Changes in table "SDMMC"
 - Change condition of Parameter "t1"
 - Change condition of Parameter "t2"
 - Change condition of Parameter "t3"
 - Change condition of Parameter "t4"
 - Change condition of Parameter "t5"
 - Change value of Parameter "t5"
 - Change condition of Parameter "t6"
 - Change value of Parameter "t6"
 - Change condition of Parameter "t7"
- Changes in table "PORST pad"
 - Change condition of Parameter "IOZ"
 - Change value of Parameter "HYS"
- Changes in table "Class D"
 - Change condition of Parameter "IOZ"
 - Change value of Parameter "IOZ"

- Changes in table "Fast 3.3V GPIO"
 - Footnote changed of parameter "tRF"
 - Change value of Parameter "HYS"
 - Change condition of Parameter "IOZ"
 - Change value of Parameter "IOZ"
 - Change value of Parameter "VIH"
 - Change value of Parameter "VIL"
 - Change condition of Parameter "tRF"
 - Footnote added to Parameter "tRF"
 - Change of Parameter "tSET" description
 - Change condition of Parameter "VILD"
- Changes in table "Fast 5V GPIO"
 - Footnote changed of parameter "tRF"
 - Change value of Parameter "HYS"
 - Change condition of Parameter "IOZ"
 - Change value of Parameter "IOZ"
 - Change value of Parameter "VIH"
 - Change value of Parameter "VIL"
 - Change condition of Parameter "tRF"
 - Footnote added to Parameter "tRF"
 - Change of Parameter "tSET" description
 - Change condition of Parameter "VILD"
- Changes in table "RFast 3.3V pad"
 - Footnote changed of parameter "tRF"
 - Change value of Parameter "VIL"
 - Footnote added to Parameter "tRF"
 - Change of Parameter "tSET" description
 - Change condition of Parameter "tRF"
 - Change value of Parameter "HYS"
 - Change condition of Parameter "IOZ"
 - Change value of Parameter "VIH"
 - Change condition of Parameter "VILD"
- Changes in table "RFast 5V pad"
 - Footnote changed of parameter "tRF"
 - Footnote added to Parameter "tRF"
 - Change of Parameter "tSET" description
 - Change condition of Parameter "tRF"
 - Change value of Parameter "HYS"
 - Change condition of Parameter "IOZ"
 - Change value of Parameter "VIH"
 - Change condition of Parameter "VILD"
- Changes in table "Slow 3.3V GPIO"

- Footnote changed of parameter “tRF”
- Change value of Parameter "HYS"
- Change condition of Parameter "IOZ"
- Change value of Parameter "IOZ"
- Change condition of Parameter "IPUH"
- Change value of Parameter "VIH"
- Change value of Parameter "VIL"
- Footnote added to Parameter "tRF"
- Change of Parameter "tSET" description
- Change condition of Parameter "VILD"
- Changes in table "Slow 5V GPIO"
 - Footnote changed of parameter “tRF”
 - Change value of Parameter "HYS"
 - Change condition of Parameter "IOZ"
 - Change value of Parameter "IOZ"
 - Change condition of Parameter "IPUH"
 - Change value of Parameter "VIH"
 - Change value of Parameter "VIL"
 - Footnote added to Parameter "tRF"
 - Change of Parameter "tSET" description
 - Change condition of Parameter "VILD"
- Changes in table "Class S 5V"
 - Change condition of Parameter "IOZ"
 - Change value of Parameter "HYS"
 - Change value of Parameter "IOZ"
 - Change of Parameter "tSET" description
 - Change value of Parameter "VIH"
 - Change value of Parameter "VIL"
- Changes in table "ADC Reference Pads"
 - Change condition of Parameter "IOZ2"
 - Change value of Parameter "IOZ2"
 - Footnote added to Parameter “IOZ2”
- Changes in table "Supply Monitors"
 - Change condition of Parameter "VDDMON"
 - Change condition of Parameter "VDDP3MON"
 - Change condition of Parameter "VEXTMON"
 - Change condition of Parameter "VRST33"
 - Change condition of Parameter "VRST5"
 - Change condition of Parameter "VRSTC"
 - Change value of Parameter "VRSTC"
 - Change condition of Parameter "tMON"
 - Footnote added to Parameter "VEXTMON"

HistoryChanges from Version 0.7 to Version 1.0

- Changes in table "Back-up Clock"
 - Footnote change in Parameter "fBACKT"
- Changes in table "DTS Core"
 - New Parameter "dT" added
- Changes in table "VADC 5V"
 - Changed preamble
 - Change condition of Parameter "RPDD"
 - Change condition of Parameter "VDDK"
 - Change condition of Parameter "fADCI"
 - Change condition of Parameter "tS"
 - Change condition of Parameter "tSCAL"
 - New Parameter "VDDK" added
 - New Parameter "dVDDK" added
 - Footnote added to Parameter "QCONV"

4.3 Changes from Version 0.7 to Version 1.0

- Changes in table "Platform Feature Overview"
 - Removed feature for "ASIL"
- Changes in chapter "Pin Definition and Functions"
 - Changed naming from "BGA516" to "LFBGA-516"
 - Changed figure for "LFBGA-516"
 - Changed naming from "BGA292" to "LFBGA-292"
 - Changed figure for "LFBGA-292"
 - Changed naming from "BGA292 ADAS feature set" to "LFBGA-292 ADAS feature set"
 - Changed figure for "LFBGA-292 ADAS feature set"
- Changes in chapter 'TC39x Pin Definition and Functions' for package variant LFBGA-516
 - Changes in LFBGA-516 Package Variant 'Port 00 Functions' table; P00.0, P00.1, P00.2, P00.3, P00.4, P00.5, P00.11, P00.12
 - Changes in LFBGA-516 Package Variant 'Port 01 Functions' table; P01.0, P01.2, P01.3, P01.4, P01.8, P01.13
 - Changes in LFBGA-516 Package Variant 'Port 02 Functions' table; P02.0, P02.1, P02.2, P02.3, P02.4, P02.5, P02.8, P02.9, P02.10, P02.13, P02.14
 - Changes in LFBGA-516 Package Variant 'Port 10 Functions' table; P10.2, P10.3, P10.5, P10.6, P10.7, P10.8
 - Changes in LFBGA-516 Package Variant 'Port 11 Functions' table; P11.0, P11.1, P11.4, P11.5, P11.7, P11.8, P11.10, P11.12, P11.13, P11.14
 - Changes in LFBGA-516 Package Variant 'Port 12 Functions' table; P12.0, P12.1
 - Changes in LFBGA-516 Package Variant 'Port 13 Functions' table; P13.0, P13.1, P13.2, P13.4, P13.5, P13.9, P13.12
 - Changes in LFBGA-516 Package Variant 'Port 14 Functions' table; P14.0, P14.1, P14.6, P14.7, P14.8, P14.9, P14.10, P14.13, P14.14, P14.15

HistoryChanges from Version 0.7 to Version 1.0

- Changes in LFBGA-516 Package Variant 'Port 15 Functions' table; P15.0, P15.1, P15.2, P15.3, P15.4, P15.5
- Changes in LFBGA-516 Package Variant 'Port 20 Functions' table; P20.0, P20.3, P20.6, P20.7, P20.8, P20.9, P20.10
- Changes in LFBGA-516 Package Variant 'Port 21 Functions' table; P21.0, P21.1, P21.2, P21.3, P21.4, P21.5
- Changes in LFBGA-516 Package Variant 'Port 22 Functions' table; P22.2, P22.3, P22.4, P22.5, P22.6, P22.7, P22.8, P22.9, P22.10, P22.11
- Changes in LFBGA-516 Package Variant 'Port 23 Functions' table; P23.0, P23.1, P23.2, P23.3, P23.5, P23.6, P23.7
- Changes in LFBGA-516 Package Variant 'Port 32 Functions' table; P32.2, P32.3, P32.4, P32.5, P32.6, P32.7
- Changes in LFBGA-516 Package Variant 'Port 33 Functions' table; P33.0, P33.1, P33.2, P33.3, P33.4, P33.5, P33.7, P33.8, P33.9, P33.10, P33.12, P33.13
- Changes in LFBGA-516 Package Variant 'Port 34 Functions' table; P34.1, P34.2
- Changes in LFBGA-516 Package Variant 'Analog Inputs' table; Ball AD10, AB10
- Changes in chapter 'TC39x Pin Definition and Functions' for package variant LFBGA-292
 - Changes in LFBGA-292 Package Variant 'Port 00 Functions' table; P00.0, P00.1, P00.2, P00.3, P00.4, P00.5, P00.11, P00.12
 - Changes in LFBGA-292 Package Variant 'Port 01 Functions' table; P01.3, P01.4
 - Changes in LFBGA-292 Package Variant 'Port 02 Functions' table; P02.0, P02.1, P02.2, P02.3, P02.4, P02.5, P02.8, P02.9, P02.10
 - Changes in LFBGA-292 Package Variant 'Port 10 Functions' table; P10.2, P10.3, P10.5, P10.6, P10.7, P10.8
 - Changes in LFBGA-292 Package Variant 'Port 11 Functions' table; P11.0, P11.1, P11.4, P11.5, P11.7, P11.8, P11.10, P11.12, P11.13, P11.14
 - Changes in LFBGA-292 Package Variant 'Port 12 Functions' table; P12.0, P12.1
 - Changes in LFBGA-292 Package Variant 'Port 13 Functions' table; P13.0, P13.1, P13.2
 - Changes in LFBGA-292 Package Variant 'Port 14 Functions' table; P14.0, P14.1, P14.6, P14.7, P14.8, P14.9, P14.10
 - Changes in LFBGA-292 Package Variant 'Port 15 Functions' table; P15.0, P15.1, P15.2, P15.3, P15.4, P15.5
 - Changes in LFBGA-292 Package Variant 'Port 20 Functions' table; P20.0, P20.3, P20.6, P20.7, P20.8, P20.9, P20.10
 - Changes in LFBGA-292 Package Variant 'Port 21 Functions' table; P21.0, P21.1, P21.2, P21.3, P21.4, P21.5
 - Changes in LFBGA-292 Package Variant 'Port 22 Functions' table; P22.2, P22.3, P22.4, P22.5, P22.6, P22.7, P22.8, P22.9, P22.10, P22.11
 - Changes in LFBGA-292 Package Variant 'Port 23 Functions' table; P23.0, P23.1, P23.2, P23.3, P23.5, P23.6, P23.7
 - Changes in LFBGA-292 Package Variant 'Port 32 Functions' table; P32.2, P32.3, P32.4, P32.5, P32.6, P32.7
 - Changes in LFBGA-292 Package Variant 'Port 33 Functions' table; P33.0, P33.1, P33.2, P33.3, P33.4, P33.5, P33.7, P33.8, P33.9, P33.10, P33.12, P33.13
 - Changes in LFBGA-292 Package Variant 'Port 34 Functions' table; P34.1, P34.2

HistoryChanges from Version 0.7 to Version 1.0

- Changes in LFBGA-292 Package Variant 'Analog Inputs' table; Ball W5, U5
- Changes in chapter 'TC39x Pin Definition and Functions' for package variant LFBGA-292 ADAS
 - Changes in LFBGA-292 ADAS Package Variant 'Port 00 Functions' table; P00.0, P00.1, P00.2, P00.3, P00.4, P00.5, P00.11, P00.12
 - Changes in LFBGA-292 ADAS Package Variant 'Port 02 Functions' table; P02.0, P02.1, P02.2, P02.3, P02.4, P02.5, P02.8
 - Changes in LFBGA-292 ADAS Package Variant 'Port 10 Functions' table; P10.2, P10.3, P10.5, P10.6, P10.7, P10.8
 - Changes in LFBGA-292 ADAS Package Variant 'Port 11 Functions' table; P11.0, P11.1, P11.4, P11.5, P11.7, P11.8, P11.10, P11.12, P11.13, P11.14
 - Changes in LFBGA-292 ADAS Package Variant 'Port 12 Functions' table; P12.0, P12.1
 - Changes in LFBGA-292 ADAS Package Variant 'Port 14 Functions' table; P14.0, P14.1, P14.6, P14.7, P14.8, P14.9, P14.10
 - Changes in LFBGA-292 ADAS Package Variant 'Port 15 Functions' table; P15.0, P15.1, P15.2, P15.3, P15.4, P15.5
 - Changes in LFBGA-292 ADAS Package Variant 'Port 20 Functions' table; P20.0, P20.3, P20.6, P20.7, P20.8, P20.9, P20.10
 - Changes in LFBGA-292 ADAS Package Variant 'Port 21 Functions' table; P21.0, P21.1, P21.2, P21.3, P21.4, P21.5
 - Changes in LFBGA-292 ADAS Package Variant 'Port 22 Functions' table; P22.2, P22.3, P22.4, P22.5, P22.6, P22.7, P22.8, P22.9, P22.10, P22.11
 - Changes in LFBGA-292 ADAS Package Variant 'Port 23 Functions' table; P23.0, P23.1, P23.2, P23.3, P23.5, P23.6, P23.7
 - Changes in LFBGA-292 ADAS Package Variant 'Port 32 Functions' table; P32.2, P32.3, P32.4, P32.5, P32.6, P32.7
 - Changes in LFBGA-292 ADAS Package Variant 'Port 33 Functions' table; P33.0, P33.1, P33.2, P33.3, P33.4, P33.5, P33.7, P33.8, P33.9, P33.10, P33.12, P33.13
 - Changes in LFBGA-292 ADAS Package Variant 'Port 34 Functions' table; P34.1, P34.2
 - Changes in LFBGA-292 Package Variant 'Analog Inputs' table; Ball W5, U5
- Changes in chapter 'Pin Position Definition'
 - Changes in table "Pad List", Number 206
- Changed description in chapter 'Legend'
 - Column "Buffer Type": PU2
 - add link to Spirit file
- Changes in chapter "Electrical Specification"
- Changed wording in sub-chapter "Parameter Interpretation"
- Changes in table 'Absolute Maximum Ratings'
 - Added footnote 2) for V_{DD}
 - Changed order of footnotes
- Changes in table "Overload Parameters"
 - Changed table numbers in description
 - Changed parameter condition of "KOVAN"
 - Changed parameter condition of "KOVAP"
 - Added footnote 2) for "KOVAN" and "KOVAP"

- Changes in table "Operating Conditions"
 - Added footnote 1) for "VDD"
 - Changed order of footnotes
- Changes in table 'PORST Pad'
 - Added values and notes for parameter V_{IH}
 - Added values and notes for parameter V_{IL}
 - Added footnote 2) for I_{PDL}
- Changes in table 'Fast 5V GPIO' of Standard Pads
 - Removed values and conditions of parameter I_{OZ}
 - Changed footnote 2) for t_{RF}
 - Added footnote 4) for I_{PUH}
 - Added footnote 5) for I_{PDL}
- Changes in table 'Fast 3.3V GPIO' of Standard Pads
 - Combined equal values of I_{OZ} in single line
 - Changed footnote 2) for t_{RF}
 - Added footnote 4) for I_{PUH}
 - Added footnote 5) for I_{PDL}
- Changes in table 'Slow 5V GPIO' of Standard Pads
 - Removed values and conditions of parameter I_{OZ}
 - Combined equal values of I_{OZ} in single line
 - Changed footnote 2) for t_{RF}
 - Added footnote 4) for I_{PUH}
 - Added footnote 5) for I_{PDL}
- Changes in table 'Slow 3.3V GPIO' of Standard Pads
 - Removed values and conditions of parameter I_{OZ}
 - Combined equal values of I_{OZ} in single line
 - Changed footnote 2) for t_{RF}
 - Added footnote 4) for I_{PUH}
 - Added footnote 5) for I_{PDL}
- Changes in table 'RFast 5V GPIO' of Standard Pads
 - Changed footnote 2) for t_{RF}
 - Added footnote 4) for I_{PUH}
 - Added footnote 5) for I_{PDL}
- Changes in table 'RFast 3.3V pad' of Standard Pads
 - Changed footnote 2) for t_{RF}
 - Added footnote 4) for I_{PUH}
 - Added footnote 5) for I_{PDL}
- Changes in table 'Class S 5V' of Standard Pads
 - Added footnote 2) for I_{PUH}
 - Added footnote 3) for I_{PDL}
- Add table 'Class S 3.3V'
- Changes in table 'ADC Reference Pads' of Standard Pads

HistoryChanges from Version 0.7 to Version 1.0

- Changed values and notes of parameter I_{OZ2}
- Added parameter and conditions for I_{OZ2}
- Changes in table 'LVDS - IEEE standard LVDS general purpose link (GPL)' of LVDS Pads
 - Added footnote 1) for t_{RISE20}
 - Added footnote 2) for t_{FALL20}
 - Changed order of footnotes
- Changes in table 'VADC 5V'
 - Added values and conditions of parameter V_{AREF}
 - Changed values and conditions of V_{AREF}
 - Added footnote 1) for V_{AREF}
 - Changed order of footnotes
- Changes in table 'DSADC 5V'
 - Changed value of parameter V_{AREF}
 - Added value and condition of parameter I_{REF}
- Changes in table 'OSC_XTAL'
 - Added parameter for DC_{X1}
 - Added parameter for J_{ABSX1}
 - Added parameter for SR_{XTAL1}
 - Added footnote 3) for DC_{X1} , J_{ABSX1} , SR_{XTAL1}
- Changes in table 'Back-up Clock'
 - Changed value of parameter f_{SB}
 - Changed footnote 1) for f_{BACKT}
- Changes in table 'DTS PMS'
 - Added parameter conditions for T_{NL}
- Changes in table 'DTS Core'
 - Added parameter conditions for T_{NL}
- Changes in description of chapter 'Power Supply Current'
 - Changed information of real power pattern
 - Added peripherals information
 - Added max power pattern
 - Added ADAS power pattern
- Changes in table 'Current Consumption'
 - Added value and conditions for parameter I_{DDRAIL}
 - Added parameter for parameter PD_{SR}
 - Added conditions for parameter PD_{SR}
 - Changed value for parameter I_{SLEEP}
 - Added parameter for $I_{DDP3RAIL}$
 - Remove footnote 1) for $I_{DDP3RAIL}$
 - Changed footnote 1) for $I_{DDPORST}$, $I_{EXTFLEX}$, I_{EVRSB} , I_{SLEEP}
 - Mapped footnote 2) to all values of $I_{DD3RAIL}$
 - Changed footnote 3) for $I_{EXTFLEX}$
 - Changed order of footnotes

HistoryChanges from Version 0.7 to Version 1.0

- Added footnote 5) for I_{EXTFLEX}
- Changes in table 'Module Current Consumption'
 - Changed value and condition of parameter I_{EXTLVDS}
 - Added footnote 3) to I_{EXTLVDS}
 - Added footnote 5) to I_{DDM}
 - Changed footnote 8) for I_{SCRIDLE}
- Changes in table 'Module Core Current Consumption'
 - Changed footnote 1) for I_{DDHSM}
 - Changed footnote for I_{DDSPU2}
 - Removed parameter I_{DDSPU1}
 - Removed parameter I_{DDSPULJ1}
- Changes in chapter “Supply Ramp-up and Ramp-down Behavior”
 - Changed Figure and textual description for “Single supply mode (a)”
 - Changed Figure and textual description for “Single supply mode (e)”
 - Changed Figure and textual description for “Single supply mode (d)”
 - Changed Figure and textual description for “Single supply mode (h)”
- Changes in table 'Reset'
 - Added parameter $t_{\text{WARMRSTSEQ}}$
 - Shift typ limit to max limits for mode0 and mode1 and removed typ limits for parameter t_{SCR}
- Changes in table 'EVR33 LDO'
 - Added footnote 7) for $dV_{\text{OUT}} / dI_{\text{OUT}}$
- Changes in table 'Supply Monitors'
 - Changed condition of parameter V_{RST33}
 - Changed condition of parameter V_{RSTC}
 - Changed values of parameter V_{EXTMON}
 - Changed footnote 2) for $V_{\text{EXTPRIUV}}, V_{\text{DDP3PRIUV}}, V_{\text{DDPRIUV}},$
 - Changed footnote 3) for $V_{\text{DDP3PRIUV}}, V_{\text{DDPRIUV}},$
 - Added footnote 5) for $V_{\text{EXTMON}}, V_{\text{DDP3MON}}, V_{\text{DDMON}}$
- Changes in table 'EVRC SMPS External Components'
 - Add values of parameter ' L_{DC} ' for condition 0.8MHz
- Changed chapter naming from 'Phase Locked Loop (PLL)' to 'System Phase Locked Loop (SYS_PLL)'
- Changes in table 'PLL System'
 - Removed parameter values of ' f_{MV} '
- Changes in table 'QSPI Master Mode Timing'
 - Added footnote 1) for all parameters
- Changes in table 'MSC LVDS clock/data'
 - Added footnote 3) for all parameters
- Changes in chapter 'HSCT Parameters'
 - Added table for “HSCT”
- Add chapter FSP Parameter
- Changes in table 'Flash'
 - Changed description of parameter of N_{DFD}

HistoryChanges from Version 1.0 to Version 1.1

- Added parameter N_{DFDC}
- Added parameter N_{UCBD}
- Added parameter $t_{VER_PAGE_DC}$
- Added parameter $t_{VER_PAGE_DS}$
- Removed parameter $t_{VER_PAGE_D}$
- Changed parameter note t_{RTU}
- Removed chapter 'Parameters Specific to the Emulation Part Only'
- Changes in table 'Package Parameters'
 - Changed parameter value of RTH_JCB
 - Changed parameter values of RTH_JCT

4.4 Changes from Version 1.0 to Version 1.1

- Changes in table 'Platform Feature Overview' - changed package types.
- Changes in chapter 'Pin Position Definition' added definition of 'neighbor pads'
- Changes in chapter 'Legend' - changed explanation for PD2
- Changes in table 'Absolute Maximum Ratings'
 - Added footnote 5
 - Changed description of parameter I_{IN}
- Changes in table 'Slow 5V GPIO' - Parameter I_{OZ} - removed note 'no analog input'
- Changes in table 'Slow 3.3V GPIO' - Parameter I_{OZ} - removed note 'no analog input'
- Changes in chapter 'High Performance LVDS Pads'- added two notes
- Changes in table 'LVDS - IEEE Standard LVDS general purpose link (GPL)' of LVDS pads
 - Changed value for parameter V_I
 - Changed condition for parameter V_{idth}
 - Added values for parameter V_{idth}
 - Changed condition for parameter R_{in}
- Changes in table 'VADC 5V' - Parameter V_{AIN} - added note to parameter
- Changes in table 'DSADC 5V' - added value for parameter I_{RMS}
- Changes in table 'DSADC 5V' - Parameter ED_{Gain} - added footnote 4
- Changes in table 'OSC_XTAL' - Parameter t_{OSCS} - changed footnote 1
- Changes in chapter 'Power Supply Current' - Section 'ADAS power pattern' - added SPU frequency
- Changes in table 'Current Consumption' - Parameter V_{EVRSB} - changed footnote 8
- Changes in table 'Module Core Current Consumption' - added Parameter I_{DDSPU1} and $I_{IDDSPULJ1}$
- Changes in table 'Module Core Current Consumption' - Parameter I_{DDSPU2} and $I_{IDDSPULJ2}$ changed footnote 2
- Changes in table 'Supply ramp' - added comment for power cycles
- Changed in chapter 'ETH RGMII Parameters' - added figures ETH RGMII TX Signal Timing (Delay on Destination ((DoD))
- Changed in chapter 'ETH RGMII Parameters' - added figures ETH RGMII RX Signal Timing (Delay on Source ((DoS))
- Changes in table 'Quality Parmeters' - Parameter V_{HBM1} - changed max. limit
- Changes in chapter 'Package Outline' - changed package types.

4.5 Changes from Version 1.1 to Version 1.2

- Changes in chapter “Revision History”
 - Chronology completed
- Changes in chapter “Summary of Features”
 - Changed wording for “DFLASH”
 - Added description for “AEC-Q100”
 - Added description for “ISO 26262 Safety Element”
 - Added description for Data Flash in table “Platform Feature Overview”
 - Changed figure for GTM/CDTM modules in table “Platform Feature Overview”
 - Changed figures for FlexRay Channels in table “Platform Feature Overview”
 - Changed wording for HSPDM in table “Platform Feature Overview”
 - Added footnote 2) for AGBT feature in table “Platform Feature Overview”
- Changes in chapter “Pin Definition and Functions”
 - Changed EDSADC function description for Port 00 in “LFBGA-516 Package Variant” tables
 - Changed CCU_EXTCLK function description for Port 00 in “LFBGA-516 Package Variant” tables
 - Changed EDSADC function description for Port 01 in “LFBGA-516 Package Variant” tables
 - Changed EDSADC function description for Port 02 in “LFBGA-516 Package Variant” tables
 - Deleted PMS_PMS_TESTGND_PAD description for Port 02 in “LFBGA-516 Package Variant” tables
 - Changed wording for QSPI function at Port 10 in “LFBGA-516 Package Variant” tables
 - Deleted SCU function at Port 10 in “LFBGA-516 Package Variant” tables
 - Added PMS function at Port 10 in “LFBGA-516 Package Variant” tables
 - Changed Buffer Type description for P11.5, P11.7, P11.8, P11.9, P11.10, P11.11, P11.12 at Port 11 in “LFBGA-516 Package Variant” tables
 - Changed function description for GETH at Port 11 in “LFBGA-516 Package Variant” tables
 - Changed function description for CCU at Port 11 in “LFBGA-516 Package Variant” tables
 - Changed function description for I2C at Port 11 in “LFBGA-516 Package Variant” tables
 - Changed function description for GTM at Port 11 in “LFBGA-516 Package Variant” tables
 - Changed function description for GETH at Port 12 in “LFBGA-516 Package Variant” tables
 - Changed function description for I2C at Port 13 in “LFBGA-516 Package Variant” tables
 - Deleted function description for SCU at Port 14 in “LFBGA-516 Package Variant” tables
 - Added function description for PMS at Port 14 in “LFBGA-516 Package Variant” tables
 - Changed wording for QSPI function at Port 14 in “LFBGA-516 Package Variant” tables
 - Changed function description for I2C at Port 15 in “LFBGA-516 Package Variant” tables
 - Changed wording for QSPI function at Port 15 in “LFBGA-516 Package Variant” tables
 - Changed function description for CCU at Port 20 in “LFBGA-516 Package Variant” tables
 - Changed function description for GTM at Port 20 in “LFBGA-516 Package Variant” tables
 - Changed wording for QSPI function at Port 20 in “LFBGA-516 Package Variant” tables
 - Changed function description for DMU at Port 21 in “LFBGA-516 Package Variant” tables
 - Changed wording for QSPI function at Port 22 in “LFBGA-516 Package Variant” tables

History Changes from Version 1.1 to Version 1.2

- Changed function description for HSPDM at Port 22 in “LFBGA-516 Package Variant”
- Changed function description for CCU at Port 23 in “LFBGA-516 Package Variant” tables
- Changed function description for GTM at Port 23 in “LFBGA-516 Package Variant” tables
- Changed function description for PMS at Port 32 in “LFBGA-516 Package Variant” tables
- Changed function description for CCU at Port 32 in “LFBGA-516 Package Variant” tables
- Changed function description for EDSADC at Port 33 in “LFBGA-516 Package Variant” tables
- Changed function description for PSI5S at Port 33 in “LFBGA-516 Package Variant” tables
- Changed wording for QSPI function at Port 33 in “LFBGA-516 Package Variant” tables
- Changed wording for QSPI function at Port 34 in “LFBGA-516 Package Variant” tables
- Changed function descriptions for EDSADC in table “Analog Inputs” in “LFBGA-516 Package Variant”
- Added notes to table “System I/O” for “LFBGA-516 Package Variant”
- Changed symbols, buffer types and functions for several balls in “System I/O” table for “LFBGA-516 Package Variant”
- Changed symbols and function descriptions for different balls in “Supply” table for “LFBGA-516 Package Variant”
-
- Changed function descriptions for EDSADC at Port 00 in “LFBGA-292 Package Variant” tables
- Changed function descriptions for EDSADC at Port 01 in “LFBGA-292 Package Variant” tables
- Changed function descriptions for EDSADC at Port 02 in “LFBGA-292 Package Variant” tables
- Changed function descriptions for PSI5S at Port 02 in “LFBGA-292 Package Variant” tables
- Changed function descriptions for I2C at Port 02 in “LFBGA-292 Package Variant” tables
- Changed wording for QSPI function at Port 02 in “LFBGA-292 Package Variant” tables
- Changed GTM input channel at Port 02 in “LFBGA-292 Package Variant” tables
- Changed wording for QSPI function at Port 10 in “LFBGA-292 Package Variant” tables
- Deleted function description for SCU at Port 10 in “LFBGA-292 Package Variant” tables
- Added function description for PMS at Port 10 in “LFBGA-292 Package Variant” tables
- Changed Buffer Type description for P11.5, P11.7, P11.8, P11.9, P11.10, P11.11, P11.12 at Port 11 in “LFBGA-292 Package Variant” tables
- Changed function description for CCU at Port 11 in “LFBGA-292 Package Variant” tables
- Changed function descriptions for I2C at Port 11 in “LFBGA-292 Package Variant” tables
- Changed GTM input channel at Port 11 in “LFBGA-292 Package Variant” tables
- Changed function description for GETH at Port 12 in “LFBGA-292 Package Variant” tables
- Changed function description for I2C at Port 13 in “LFBGA-292 Package Variant” tables
- Deleted function descriptions for SCU at Port 14 in “LFBGA-292 Package Variant” tables
- Added function descriptions for PMS at Port 14 in “LFBGA-292 Package Variant” tables
- Changed wording for QSPI function at Port 14 in “LFBGA-292 Package Variant” tables
- Changed function description for I2C at Port 15 in “LFBGA-292 Package Variant” tables
- Changed wording for QSPI function at Port 15 in “LFBGA-292 Package Variant” tables
- Changed function description for CCU at Port 20 in “LFBGA-292 Package Variant” tables
- Changed GTM input channel at Port 20 in “LFBGA-292 Package Variant” tables
- Changed wording for QSPI function at Port 20 in “LFBGA-292 Package Variant” tables
- Added function description for DMU at Port 21 in “LFBGA-292 Package Variant” tables

History Changes from Version 1.1 to Version 1.2

- Changed wording for QSPI function at Port 22 in “LFBGA-292 Package Variant” tables
- Changed function description for HSPDM at Port 22 in “LFBGA-292 Package Variant”
- Changed function description for CCU at Port 23 in “LFBGA-292 Package Variant” tables
- Changed GTM input channel at Port 23 in “LFBGA-292 Package Variant” tables
- Changed symbol at Port 32 for ball W17 in “LFBGA-292 Package Variant” tables
- Changed function descriptions for PMS at Port 32 in “LFBGA-292 Package Variant” tables
- Changed function description for CCU at Port 32 in “LFBGA-292 Package Variant” tables
- Changed function descriptions for EDSADC at Port 33 in “LFBGA-292 Package Variant” tables
- Changed GTM input channel at Port 33 in “LFBGA-292 Package Variant” tables
- Changed function descriptions for PSI5S at Port 33 in “LFBGA-292 Package Variant” tables
- Changed wording for QSPI function at Port 33 in “LFBGA-292 Package Variant” tables
- Changed wording for QSPI function at Port 34 in “LFBGA-292 Package Variant” tables
- Added notes to table “System I/O” for “LFBGA-292 Package Variant”
- Changed symbols, buffer types and functions for several balls in “System I/O” table for “LFBGA-292 Package Variant”
- Changed symbols and function descriptions for different balls in “Supply” table for “LFBGA-292 Package Variant”
-
- Changed function descriptions for EDSADC at Port 00 in “LFBGA-292 ADAS Package Variant” tables
- Changed function descriptions for I2C at Port 02 in “LFBGA-292 ADAS Package Variant” tables
- Changed function descriptions for PSI5S at Port 02 in “LFBGA-292 ADAS Package Variant” tables
- Changed function descriptions for EDSADC at Port 02 in “LFBGA-292 ADAS Package Variant” tables
- Changed function descriptions for QSPI at Port 02 in “LFBGA-292 ADAS Package Variant” tables
- Changed GTM input channel at Port 02 in “LFBGA-292 ADAS Package Variant” tables
- Changed function descriptions for QSPI at Port 10 in “LFBGA-292 ADAS Package Variant” tables
- Deleted function descriptions for SCU at Port 10 in “LFBGA-292 ADAS Package Variant” tables
- Added function descriptions for PMS at Port 10 in “LFBGA-292 ADAS Package Variant” tables
- Changed Buffer Type description for P11.5, P11.7, P11.8, P11.9, P11.10, P11.11, P11.12 at Port 11 in “LFBGA-292 ADAS Package Variant” tables
- Changed function descriptions for QSPI at Port 11 in “LFBGA-292 ADAS Package Variant” tables
- Changed function descriptions for CCU at Port 11 in “LFBGA-292 ADAS Package Variant” tables
- Changed function descriptions for I2C at Port 11 in “LFBGA-292 ADAS Package Variant” tables
- Deleted I2C function (ball D7) at Port 11 in “LFBGA-292 ADAS Package Variant” tables
- Changed function descriptions for GETH at Port 11 in “LFBGA-292 ADAS Package Variant” tables
- Changed GTM input channel at Port 11 in “LFBGA-292 ADAS Package Variant” tables
- Changed function description for GETH at Port 12 in “LFBGA-292 ADAS Package Variant” tables
- Deleted function descriptions for SCU at Port 14 in “LFBGA-292 ADAS Package Variant” tables
- Added function descriptions for PMS at Port 14 in “LFBGA-292 ADAS Package Variant” tables
- Changed function description for QSPI at Port 14 in “LFBGA-292 ADAS Package Variant” tables
- Changed function descriptions for I2C at Port 15 in “LFBGA-292 ADAS Package Variant” tables
- Changed function descriptions for QSPI at Port 15 in “LFBGA-292 ADAS Package Variant” tables
- Changed function description for CCU at Port 20 in “LFBGA-292 ADAS Package Variant” tables

History Changes from Version 1.1 to Version 1.2

- Changed GTM input channel at Port 20 in “LFBGA-292 ADAS Package Variant” tables
 - Changed function description for QSPI at Port 20 in “LFBGA-292 ADAS Package Variant” tables
 - Added function description for DMU at Port 21 in “LFBGA-292 ADAS Package Variant” tables
 - Changed function descriptions for QSPI at Port 22 in “LFBGA-292 ADAS Package Variant” tables
 - Changed function descriptions for HSPDM at Port 22 in “LFBGA-292 ADAS Package Variant” tables
 - Changed function description for CCU at Port 23 in “LFBGA-292 ADAS Package Variant” tables
 - Changed GTM input channel at Port 23 in “LFBGA-292 ADAS Package Variant” tables
 - Changed GTM input channel at Port 23 in “LFBGA-292 ADAS Package Variant” tables
 - Changed symbols at balls Y17 and W17 at Port 32 in “LFBGA-292 ADAS Package Variant” tables
 - Changed function description for CCU at Port 32 in “LFBGA-292 ADAS Package Variant” tables
 - Changed function description for PMS at Port 32 in “LFBGA-292 ADAS Package Variant” tables
 - Changed function description for EDSADC at Port 33 in “LFBGA-292 ADAS Package Variant” tables
 - Changed function description for PSI5S at Port 33 in “LFBGA-292 ADAS Package Variant” tables
 - Changed function description for QSPI at Port 33 in “LFBGA-292 ADAS Package Variant” tables
 - Changed function description for QSPI at Port 34 in “LFBGA-292 ADAS Package Variant” tables
 - Changed all function descriptions at Port 50 in “LFBGA-292 ADAS Package Variant” tables
 - Changed all function descriptions at Port 51 in “LFBGA-292 ADAS Package Variant” tables
 - Added notes to table “System I/O” for “LFBGA-292 ADAS Package Variant”
 - Changed symbols, Ctrl., buffer types and functions for several balls in “System I/O” table for “LFBGA-292 ADAS Package Variant”
 - Changed symbols and function descriptions for different balls in “Supply” table for “LFBGA-292 ADAS Package Variant”
 -
 - Changed sub-chapter title from “Pin Position Definition” to “Sequence of Pads in Pad Frame”
 - Changed comments for pad name VDDP3 (51, 52) in Pad List of “Sequence of Pads in Pad Frame”
 - Changed pad type for pad names P11.5, P11.7, P11.9, P11.8, P11.10, P11.11, P11.12 in Pad List of “Sequence of Pads in Pad Frame”
 - Changed comment for pad 206 in Pad List of “Sequence of Pads in Pad Frame”
 - Changed comment and pad type for pad name AGBTCLKN in Pad List of “Sequence of Pads in Pad Frame”
 - Changed comment and pad type for pad name AGBTCLKP in Pad List of “Sequence of Pads in Pad Frame”
 - Changed comment and pad type for pad name AGBTTXN in Pad List of “Sequence of Pads in Pad Frame”
 - Changed comment and pad type for pad name AGBTTPX in Pad List of “Sequence of Pads in Pad Frame”
 - Changed comment for pad name AGBTERR in Pad List of “Sequence of Pads in Pad Frame”
 - Changed pad names for pads 371, 372, 374, 375 in Pad List of “Sequence of Pads in Pad Frame”
 - Changed comment for pad 381 in Pad List of “Sequence of Pads in Pad Frame”
 - Changed pad names for pads 505, 506, 509, 510 in Pad List of “Sequence of Pads in Pad Frame”
 - Changed pad types and comments for pads 507, 508 in Pad List of “Sequence of Pads in Pad Frame”
 - Changed comment for pad 562 in Pad List of “Sequence of Pads in Pad Frame”
 - Changed comment parts for table Pad List of “Sequence of Pads in Pad Frame”
- Changes in chapter “Electrical Specification”

History Changes from Version 1.1 to Version 1.2

- Typos corrected in footnotes for sub-chapter “Absolute Maximum Ratings”
- Typo corrected for parameter I_{INSA} in table “Overload Parameters” of sub-chapter “Pin Reliability in Overload”
- Changed values for parameter GETH frequency in table “Operating Conditions”
- Changed note for parameter t_{TX_ASYM} in table “Fast 5V GPIO” of sub-chapter “5V/3.3V switchable Pads”
- Changed note for parameter t_{TX_ASYM} in table “Fast 3.3V GPIO” of sub-chapter “5V/3.3V switchable Pads”
- Changed note for parameter t_{TX_ASYM} in table “Slow 5V GPIO” of sub-chapter “5V/3.3V switchable Pads”
- Changed note for parameter t_{TX_ASYM} in table “Slow 3.3V GPIO” of sub-chapter “5V/3.3V switchable Pads”
- Changed note for parameter t_{TX_ASYM} in table “RFast 5V GPIO” of sub-chapter “5V/3.3V switchable Pads”
- Changed note for parameter t_{TX_ASYM} in table “RFast 3.3V pad” of sub-chapter “5V/3.3V switchable Pads”
- Changed notes for parameter I_{OZZ} in table “ADC Reference Pads” of sub-chapter “5V/3.3V switchable Pads”
- Typos corrected in footnotes for table “LVDS – IEEE standard LVDS general purpose link (GPL)” in sub-chapter “High performance LVDS Pads”
- Added footnotes for table “LVDS – IEEE standard LVDS general purpose link (GPL)” in sub-chapter “High performance LVDS Pads”
- Typo corrected for parameter dV_{CSD} in table “VADC 5V” in sub-chapter “VADC Parameters”
- Changed footnote 7) of table “VADC 5V” in sub-chapter “VADC Parameters”
- Changed figure “Equivalent Circuitry for Analog Inputs” in sub-chapter “VADC Parameters”
- Changed footnotes 3) and 6) for table “VADC 5V” in sub-chapter “VADC Parameters”
- Changed value of parameter I_{RMS} in table “DSADC 5V” in sub-chapter “DSADC Parameters”
- Changed footnote 4) in sub-chapter “DSADC Parameters”
- Changed spelling in footnote 2) in sub-chapter “MHz Oscillator”
- Changed footnote 2) for table “Current Consumption” in sub-chapter “Power Supply Current”
- Added footnote 9) for table “Current Consumption” in sub-chapter “Power Supply Current”
- Typos corrected in sub-chapter “Calculating the 1.25V Current Consumption”
- Added sentence to sub-chapter “Supply Ramp-up and Ramp-down Behavior”
- Changed/added value for parameter t_{PI} in table “Reset” for sub-chapter “Reset Timing”
- Changed figure “DAP Timing” in sub-chapter “DAP Parameters”
- Changed values (from Min. to Typ.) for parameter t_7 in table “ETH MII Signal Timing Parameters” for sub-chapter “ETH MII Parameters”
- Changed symbols for parameters t_{13} , t_{14} , t_{15} in table “ETH RMII Signal Timing Parameters valid for 3.3V” in sub-chapter “ETH RMII Parameters”
- Changed value (from Min. to Typ.) for parameter t_{13} in table “ETH RMII Signal Timing Parameters valid for 3.3V” in sub-chapter “ETH RMII Parameters”
- Added footnote 3) for table “ETH RMII Signal Timing Parameters valid for 3.3V” in sub-chapter “ETH RMII Parameters”
- Deleted parameter t_{81} in table “Skew Calibration Related” in sub-chapter “Radar Interface Timing”
- Changed values for parameters t_{82} and t_{83} in table “Skew Calibration Related” in sub-chapter “Radar Interface Timing”
- Deleted notes for parameters t_{82} and t_{83} in table “Skew Calibration Related” in sub-chapter “Radar Interface Timing”
- Added footnotes to Max. Value of parameter t_{ER_Dev} in table “Flash” in sub-chapter “Flash Target Parameters”

HistoryChanges from Version 1.1 to Version 1.2

- Changed figure “Package Outlines LFBGA-292” in sub-chapter “Package Outline”

www.infineon.com

Published by Infineon Technologies AG

OPEN MARKET VERSION