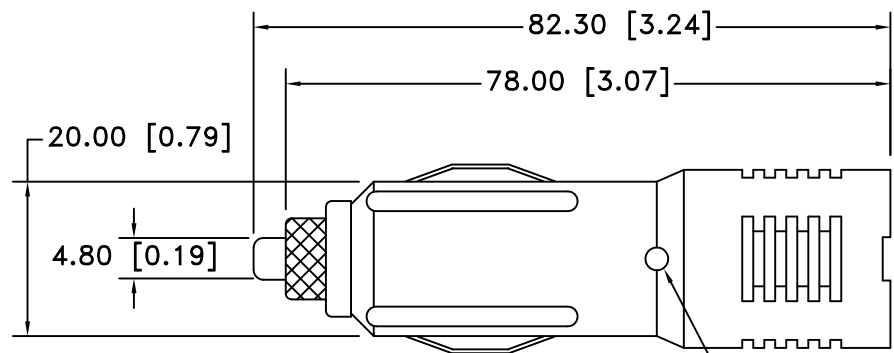



Date	SYM	REVISION RECORD	AUTH	DR.	CK.
11/07/14	A	UPDATED TO ROHS 2 COMPLIANT	T.B.	B.S.	



RATING:
 INPUT: DC12V
 OUTPUT: DC5V
 MAX: 2A

NOTE:
 CASING: ABS
 NUT: BRASS, NICKEL PLATED
 RING: STEEL, ZINC PLATED
 NEG. TERMINAL: STEEL, NICKEL PLATED
 TIP: BRASS, NICKEL PLATED
 FUSE: TCO, 17AMHO23B580°C
 ROHS 2 COMPLIANT

Tolerance (Except as noted)	 Memory Protection Devices, Inc 200 Broad Hollow Road, Farmingdale, New York 11735		
decimal ±.5 (.020)		Scale	Drawn By B.S.
Fractional ± .8 (.030)	Title AUTO PLUG TO AIRCRAFT PLUG		
Angular ± 3°	Date 11/07/14	Drawing Number AP132	