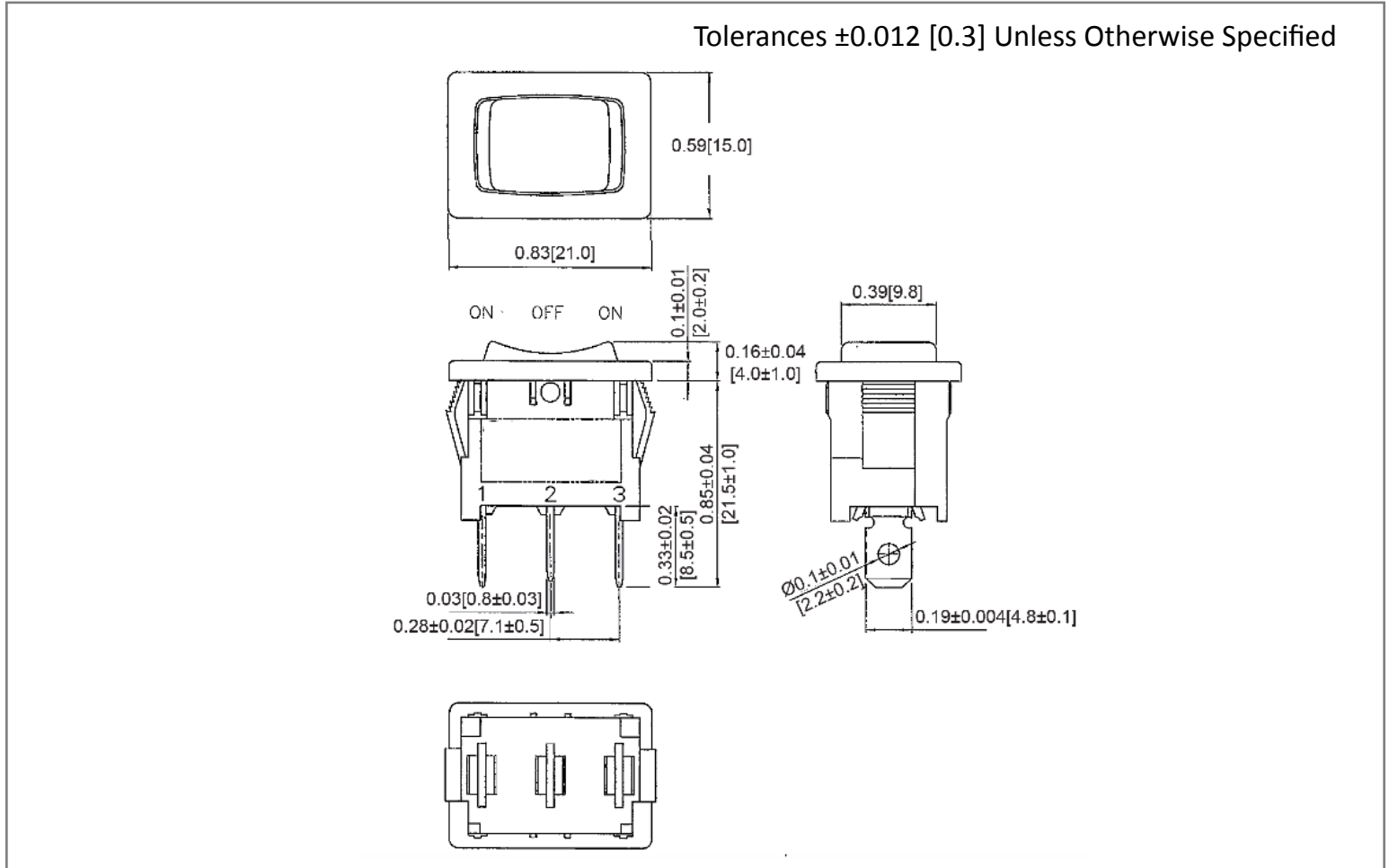
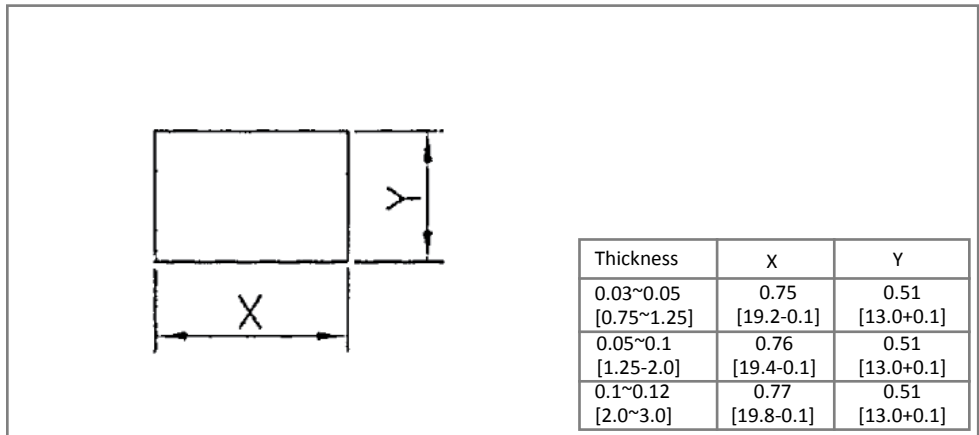


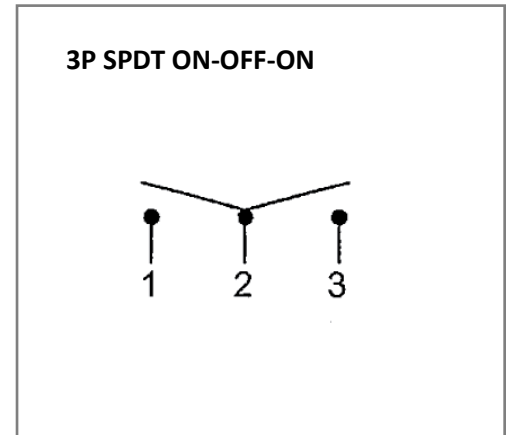
**Mechanical Dimensions: Inches [mm]**



**Mounting Hole**



**Circuit Diagram**



**Electrical Specifications**

<b>Rating</b>	16A 12V DC, 6A 28V DC	
<b>Contact Resistance</b>	50m ohm Max	
<b>Insulation Resistance</b>	DC 500V 100M ohm Min	
<b>Dielectric Strength</b>	AC 1500V 1 minute	
<b>Operation Temperature</b>	-25°C~85°C	

**Material Specifications**

<b>Frame</b>	Black, Nylon 66
<b>Actuator</b>	Black, Nylon 66

Rev	Date of issue	Revision Notes	Designed	Approved
B	06-08-2021	Initial Drawing	RC	OF