

**Sales Outline Drawing**

Revision **A**

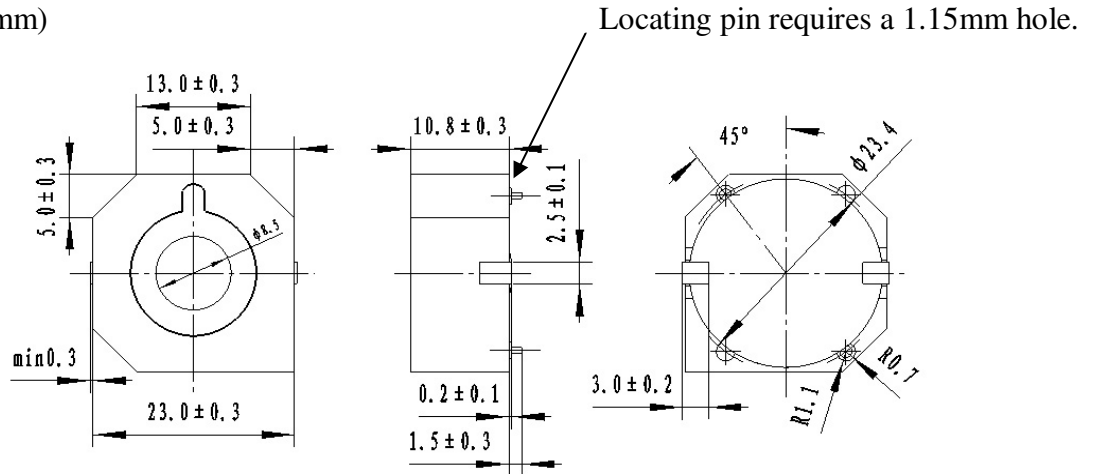
Obsolete- Possible substitutes include AST1750MATRQ (SMT), AST1575BMATRQ (SMT), PT-2040PQ (thru-hole), PT-3534FPQ (thru-hole extra-loud)

Oscillation Frequency (Hz)	4000 ± 500
Operating Voltage (Vp-p)	1 ~ 30
Rated Voltage (Vp-p)	9.0
Current Consumption Max. (mA)	8.0 at Rated Voltage
Sound Pressure Level (dB/min)	100 at 10cm at Rated Voltage
Capacitance (pF)	12,000 ± 30% at 120 Hz
Operating Temperature (°C)	-30 ~ +70
Storage Temperature (°C)	-40 ~ +80
Type of Connection Terminal	SMD
Housing	PPS plastic resin (Color : Black)
Weight (Grams)	5.5
Condition by reflow soldering (°C)	245 ± 5 / 1 min
Condition by hand soldering (°C)	350 ± 20 / within 5 sec
Options	For other options contact factory

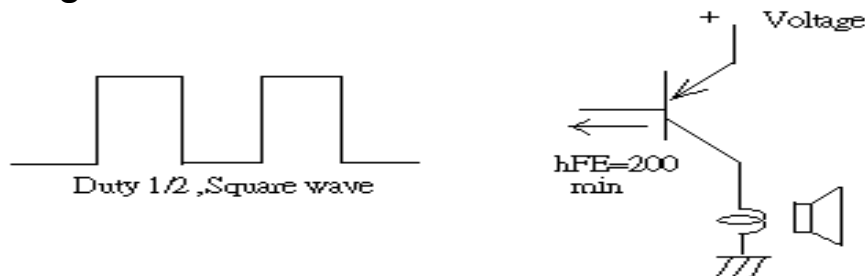
PS : Vp-p=1/2duty, square wave

RoHS Compliant

**Dimensions:** (units: mm)



**Recommend Driving Circuit**



**Packaging:**

Parts are supplied on reels (150 pcs per tape and reel).