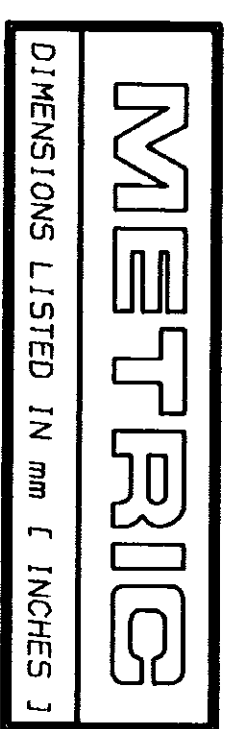
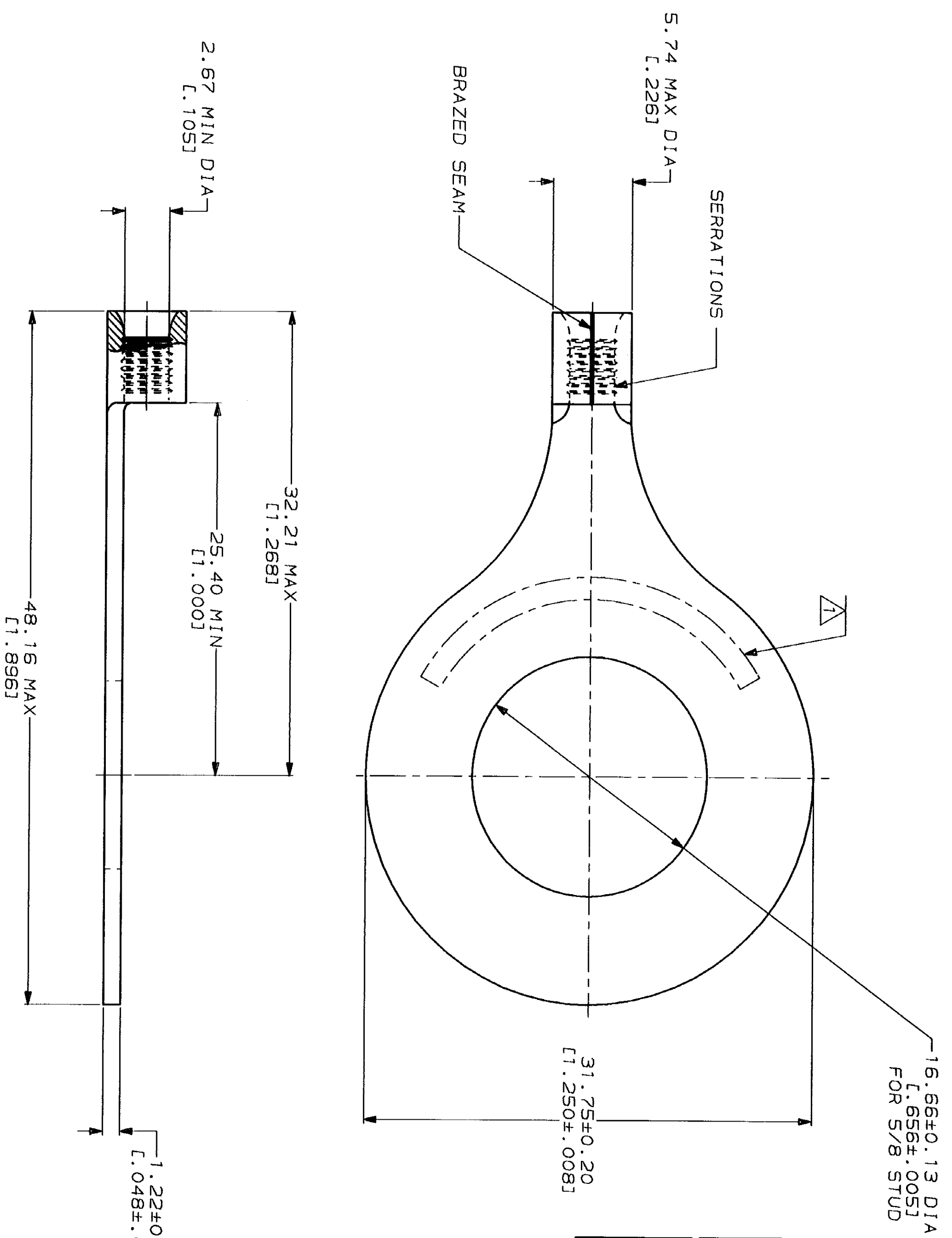


LOC	DIST	REV	DESCRIPTION	DATE	APPD
G	14	P	REV & REDRAWN PER 0720-0040-93	3-17-93	18 DAP



AMP WIRE RANGE	UL E13288 Listed
16-14HD AWG SOLID OR STRANDED	16-14HD AWG STRANDED
LR7189 Certified	MILITARY P/N AND CLASS
16-14HD AWG SOLID OR STRANDED	NOT APPLICABLE

△ STAMP AMP 16-14HD* APPROX AS SHOWN



AMP INCORPORATED CUSTOMER SERVICE SYSTEMS		MAX RECOMMENDED OPERATING TEMPERATURE: 170°C MAX
FOR ADDITIONAL PRODUCT INFORMATION OR COPIES OF DRAWINGS AND TECHNICAL DOCUMENTS	PRODUCT INFORMATION CENTER 1-800-522-6752	VOLTAGE RATING: NOT APPLICABLE
FOR APPLICATION TOOLING INFORMATION	TOOLING ASSISTANCE CENTER 1-800-722-1111	WIRE CROSS SECTIONAL AREA RANGE: 1.04-2.62mm ² [2,050-5,180] CIR MILS SOLID OR STRANDED
FOR ORDER ENTRY	1-800-526-5142	DO NOT SCALE PRINT. UNLESS SPECIFIED DIMENSIONS IN INCHES - DIMENSIONS IN MILLIMETERS - TOLERANCES ON: 2 PLG DEC ± .005 3 PLG DEC ± .002 ANGLES ± .5°

FINISH: TIN PLATE	DR 3-17-93	TA BRINKMAN	NAME: AMP
0.00254 [1.000100] MIN THK PER MIL-T-10727	CHK 3-17-93	DA PATTERSON	AMP Incorporated Harrisburg, PA 17105-3608
	APPD 3-17-93	DE MILLER	TERMINAL, RING TONGUE, HEAVY DUTY, SOLISTRAND™
	APPD 3-17-93	JL MECKLEY	AMP CAGE CODE 00779 DRAWING NO G-320758
	APPLICATION SPEC		SIZE 4:1 SCALE
	WEIGHT		SHEET 1 OF 1