

MCR-CLP-UI-I-4

Order No.: 2814058



<http://eshop.phoenixcontact.de/phoenix/treeViewClick.do?UID=2814058>

MCR passive isolator, loop-powered, for electrical isolation of analog signals, with configurable input, output signal: 4..20 mA

Commercial data	
Pack	1 pcs.
Customs tariff	85437090
Weight/Piece	0.1317 KG
Catalog page information	Page 367 (IF-2009)

Product notes

WEEE/RoHS-compliant since: 04/02/2007



<http://www.download.phoenixcontact.com>
Please note that the data given here has been taken from the online catalog. For comprehensive information and data, please refer to the user documentation. The General Terms and Conditions of Use apply to Internet downloads.

Technical data

Input data	
Description of the input	Current input
Configurable/programmable	Yes
Current input signal	4 mA ... 20 mA (please indicate any different setting when ordering)
Max. input voltage	30 V

Max. input current	50 mA
Input resistance of voltage input	1 M Ω
Input resistance current input	50 Ω

Output data

Output name	Current output
Configurable/programmable	No
Current output signal	4 mA ... 20 mA
Max. output current	35 mA
Load/output load current output	$\leq 800 \Omega$ (At $U_B = 24$ V; otherwise: $(U_B - 8$ V) / 20 mA)

Power supply

Name	Loop-powered
Range of supply voltages	8 V DC ... 30 V DC
Voltage dissipation	8 V

Connection data

Type of connection	Pluggable screw connection
Conductor cross section solid min.	0.2 mm ²
Conductor cross section solid max.	2.5 mm ²
Conductor cross section stranded min.	0.2 mm ²
Conductor cross section stranded max.	2.5 mm ²
Conductor cross section AWG/kcmil min.	24
Conductor cross section AWG/kcmil max	14
Stripping length	8 mm
Screw thread	M3

General data

No. of channels	1
Width	17.5 mm
Height	99 mm
Depth	114.5 mm
Transmission error, max.	≤ 0.1 % (of end value)
Transmission error, typical	0.05 %
Maximum temperature coefficient	≤ 0.01 %/K
Temperature coefficient, typical	0.005 %/K
Limit frequency (3 dB)	30 Hz

Alignment zero	± 2 % (of end value)
Alignment span	± 2 % (of end value)
Step response (10-90%)	11 ms
Ambient temperature (operation)	-25 °C ... 65 °C
Color	green
Housing material	Polyamide PA non-reinforced
Mounting position	Any
Conformity	CE compliant
UL, USA / Canada	Class I, Div. 2, Groups A, B, C, D or non-hazardous locations

Certificates / Approvals



Certification CUL, GOST, UL

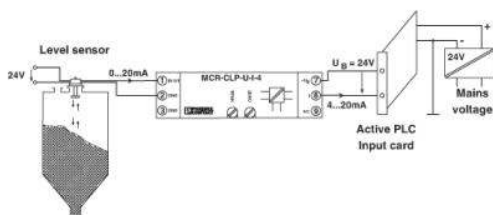
Certification Ex: CUL-EX LIS, UL-EX LIS

Configuration options

Input signal	0...20 mA [IN01] 4...20 mA [IN02] 0...10 V [IN03] 0...5 V [IN05] 1...5 V [IN06] -60...+60 mV [IN13] -100...+100 mV [IN14] -200...+200 mV [IN15] -300...+300 mV [IN16] -500...+500 mV [IN17] -1...+1 V [IN18] -2...+2 V [IN19] -5...+5 V [IN21] -10...+10 V [IN22] -20...+20 V [IN23] 0...60 mV [IN24] 0...100 mV [IN25] 0...200 mV [IN26] 0...300 mV [IN27] 0...500 mV [IN28] 0...1 V [IN29] 0...2 V [IN30] 0...20 V [IN32] -5...+5 mA [IN33] -10...+10 mA [IN34] -20...+20 mA [IN35] 0...5 mA [IN36] 0...10 mA [IN37]
Plant calibration certificate	No plant calibration certific. [NONE] Certificate without test data [YES] Certificate with test data [YESPLUS]

Diagrams/Drawings

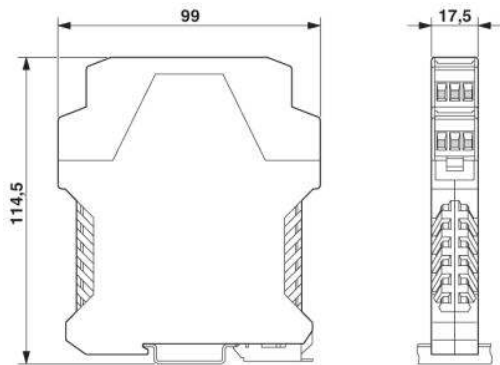
Application drawing



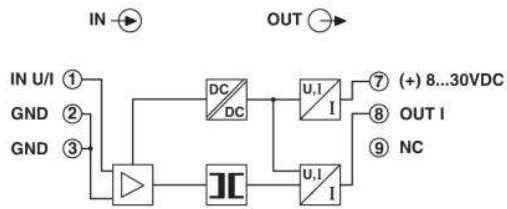
Application example: Level measurement

- 1 = Level sensor
- 2 = Mains voltage
- 3 = Control unit

Dimensioned drawing



Circuit diagram



Approbationslogos (EX-Bereich)



Address

PHOENIX CONTACT Inc., USA
586 Fulling Mill Road
Middletown, PA 17057, USA
Phone (800) 888-7388
Fax (717) 944-1625
<http://www.phoenixcon.com>



© 2010 Phoenix Contact
Technical modifications reserved;