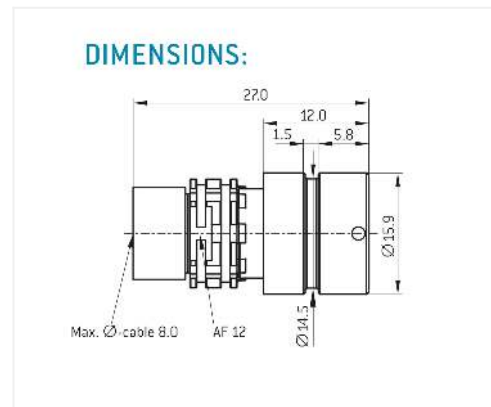
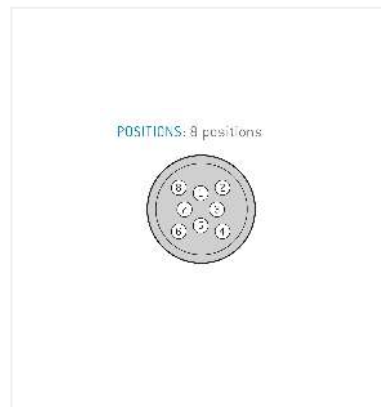
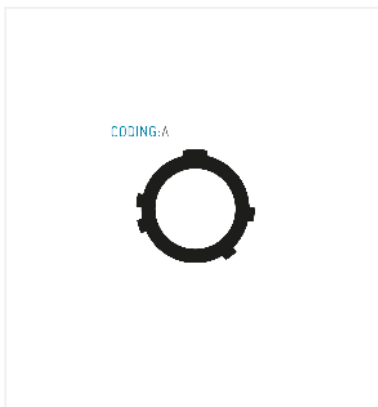


## General information

Part number	K1AYAR-PD8WFG0-0000
Termination	solder
Size	1,5
Locking principle	break , push
Coding	a_key_amc
Cable Diameter	cable_amc_A
Cable outlet	overmolding



## Contact insert description

Number of contacts	8
Contact type	sockets
Contact diameter	07mm
Insulator material	peek
Wire cross section	22_awg
Termination	solder
Termination diameter	085mm
Data transmission	ethernet_1

reverse\_gender\_on\_request

## Connection diagram

con\_ethernet\_10

## Technical information

Nominal current single contact	07_a	iec_60512_5_2
Nominal current insert	4,55 A	vde_0298_4
Test voltage	12_kv_ac	eia_364_20f

safety\_text

## Mechanical and environmental data

Degree of protection*	ip6k9k
Operating temperature	51_125_c
Mating cycles	5000

mated

## Material and surface treatments

Housing	ruthenium
Contact	cu_alloy_gold

data\_text

safety\_text\_2

data\_text

ul\_text

illustrative\_text