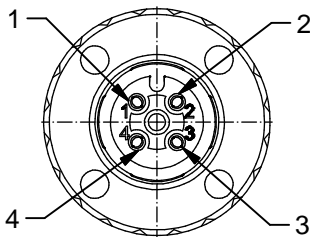
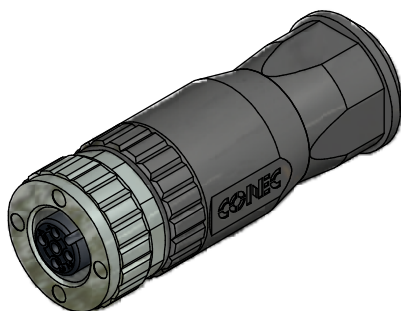
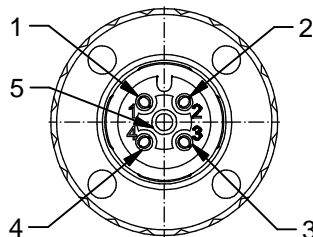


4pos



5pos



Technical specification:

Rated voltage: IEC 61076-2-101	4pos 250 V	5pos 60 V
Current rating: IEC 61076-2-101	4 A at 40°C	
Insulation resistance: IEC 60512	≥100 MΩ	
Pollution degree: IEC 60664-1	3/2	
Degree of protection: IEC 60529	IP 67, in mated condition	
Temperature range: IEC 60664-1	-30°C ... +85°C	
Mating cycles: IEC 60512-9a	≥100	
Wire cross section:	AWG20 / max. 0,5 mm ²	

Materials:

Contact:	CuZn
Contact plating:	Nickel, gold plated
Contact carrier:	PA6, UL 94
Clamp contact:	Stainless steel
Cable sealing:	Elastomere
O-Ring:	FPM
Coupling nut:	GD-Zn, nickel plated
Housing:	PA6 GF, UL 94

Installation specification:

Recommended torque:	0,6 Nm
Conec installation tooling:	Torque wrench: 36-000200 Insert across flats 18: 36-000240

Part no:	Description:	Pos:	Cable-Ø:
43-00002	SAL - 12 - RKC4 - K	4	4 - 8 mm
43-00004	SAL - 12 - RKC5 - K	5	

title:	Female connector M12x1, field attachable, axial, with clamp connection
dwg no:	43K2A026
part no:	see table

DO NOT ALTER CAD DRAWING BY HAND Directive 2002/95/EC RoHS compliant	Index: b 15.09.11 VF Ä4104 Coding on housing removed, coupling nut modified, spanner flats added, data sheet modified, article with screw connection removed	dim. in mm	
		date	name
		drawn 28.02.07	Fromm
		appd. 09.03.07	Schmidt
general tolerance:	0 ± 0,50mm 0,0 ± 0,25mm 0,00 ± 0,10mm	CONEC ®	
THIS DRAWING MAY NOT BE COPIED OR REPRODUCED IN ANY WAY, AND MAY NOT BE PASSED ON TO A THIRD PARTY WITHOUT WRITTEN PERMISSION. OWNERSHIP AND COPYRIGHT OF CONEC GmbH			