

GloTek, Inc. www.globtek.com 186 Veterans Drive, Northvale, NJ 07647 Tel. (201) 784-1000 Fax (201) 784-0111	Drawing Title: Molex 43645-0200 or approved equiv with 43030-0038 contacts to straight female barrel, 5.5 x 2.1 x 11mm w/o spring contact and locking notch, GT Cable #UL 2464 24/2: 24 / 2 Conductors, 3.8mm OD, UL2464, Deg.C, V, Black / Red, Approvals: , 3300 +/- 50mm, GlobTek Black
	Model No.
Part No./Ordering No. 43645UL24643M3CCP(R)	Rev B

CUSTOMIZED LENGTHS, COLORS, CABLE TYPES, TERMINATIONS/PLUGS/RECEPTACLES AVAILABLE UPON REQUEST. ADDITIONAL PLUG OPTIONS ARE AVAILABLE AT <https://www.globtek.com/connectors/> STANDARD PLUGS AND CONNECTORS CAN BE SEEN ONLINE AT <https://www.globtek.com/connectors/> ACTUAL CONNECTORS, OVERMOLDS, FERRITES MAY VARY SLIGHTLY FROM THE PICTURE BELOW DIMENSIONS ARE IN MM UNLESS SPECIFIED OTHERWISE

In Addition to GlobTek Inc.'s renewed ISO9001:2008 - Quality Management System Certification, GlobTek Inc. is now certified to:

ISO13485:2003 - Medical Devices Quality Management System Certification  
ISO14001:2004 - Environmental Management System Certification

ISO Certificates are available online at <https://www.globtek.com/iso-certificates/>  
Prop 65 Statement:<https://en.globtek.com/prop-65-statement.pdf>

The acceptance of this specification and use of the product described in this document indicates the acceptance and binding of the customer to Globtek TERMS AND CONDITIONS (attached to the end of this document), which supersede all other agreements, terms, and conditions (<https://en.globtek.com/terms-and-conditions/>).

The purchaser of this product (Customer) agrees that it is their sole responsibility to determine suitability/fitness of the product described in this specification for their application and to take precautions for protection against any hazards attendant to the handling and use of the product.

**Footnote:**

GlobTek Inc. will not be liable for the safety and performance of these power supplies if unauthorized access and repair occurs. End user should consult applicable UL, CSA or EN standards for proper installation instruction.

**Limitation of Use:**

GlobTek products are intended for use with commercial, medical, and/or industrial equipment only. GlobTek product are not authorized for use as mission critical components in life support hazardous environment, nuclear or aircraft applications without prior written approval from the CEO of GlobTek Inc.  
Contents of this document are subject to change without prior notice.

**Customer Approval of Specification:**

Please approve, sign and send back to GlobTek so we can complete order processing.  
A delay in receipt of this form will delay delivery schedule.

Company Name: _____	Customer P/N: _____
Quote Number: _____	Date: _____
Authorized Representative Name: _____	Authorized Representative Signature: _____

GlobTek, Inc. www.globtek.com 186 Veterans Drive, Northvale, NJ 07647 Tel. (201) 784-1000 Fax (201) 784-0111	Drawing Title: Molex 43645-0200 or approved equiv with 43030-0038 contacts to straight female barrel, 5.5 x 2.1 x 11mm w/o spring contact and locking notch, GT Cable #UL 2464 24/2: 24 / 2 Conductors, 3.8mm OD, UL2464, Deg.C, V, Black / Red, Approvals: , 3300 +/- 50mm, GlobTek Black	
	Model No.	Part No./Ordering No. 43645UL24643M3CCP(R)
		Rev B

CUSTOMIZED LENGTHS, COLORS, CABLE TYPES, TERMINATIONS/PLUGS/RECEPTACLES AVAILABLE UPON REQUEST. ADDITIONAL PLUG OPTIONS ARE AVAILABLE AT <https://www.globtek.com/connectors/> STANDARD PLUGS AND CONNECTORS CAN BE SEEN ONLINE AT <https://www.globtek.com/connectors/> ACTUAL CONNECTORS, OVERMOLDS, FERRITES MAY VARY SLIGHTLY FROM THE PICTURE BELOW DIMENSIONS ARE IN MM UNLESS SPECIFIED OTHERWISE

## REVISION HISTORY

REV	DESCRIPTION	SUB	DATE	APPROVED
B	Add cable image and polarity.	bsiep	06/26/2019	QA
A	Initial Release	bsiep	06/05/2019	QA

**Cordset Information:**

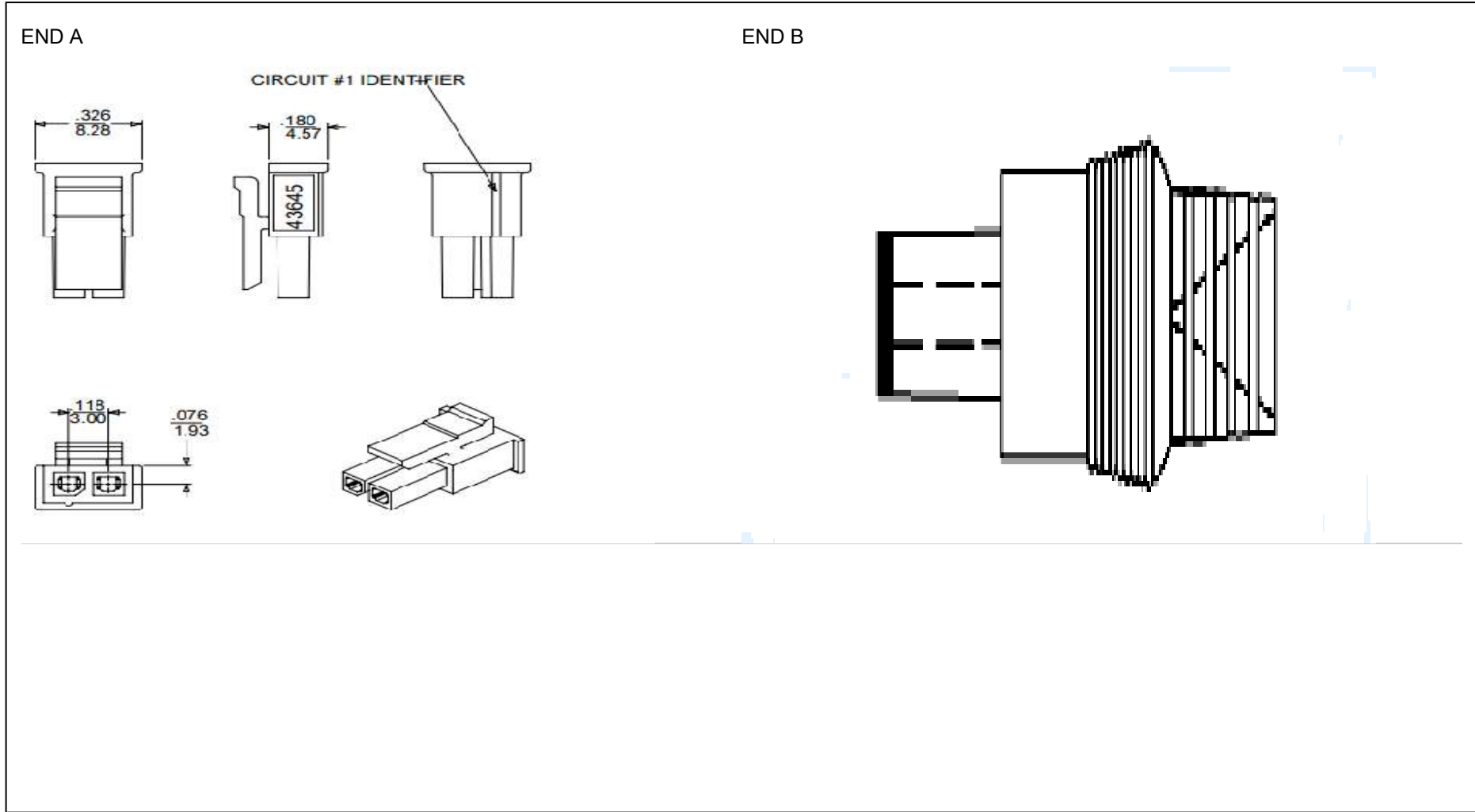
CordsetColor:GlobTek Black  
 Cord Length (mm):3300 +/- 50

**NOTES:**

Cord, Plug and Connector must be marked with approval symbols of file number(s)

GlobTek, Inc. www.globtek.com 186 Veterans Drive, Northvale, NJ 07647 Tel. (201) 784-1000 Fax (201) 784-0111	Drawing Title: Molex 43645-0200 or approved equiv with 43030-0038 contacts to straight female barrel, 5.5 x 2.1 x 11mm w/o spring contact and locking notch, GT Cable #UL 2464 24/2: 24 / 2 Conductors, 3.8mm OD, UL2464, Deg.C, V, Black / Red, Approvals: , 3300 +/- 50mm, GlobTek Black
	Model No.  Part No./Ordering No. 43645UL24643M3CCP(R) <span style="float: right;">Rev B</span>

CUSTOMIZED LENGTHS, COLORS, CABLE TYPES, TERMINATIONS/PLUGS/RECEPTACLES AVAILABLE UPON REQUEST. ADDITIONAL PLUG OPTIONS ARE AVAILABLE AT <https://www.globtek.com/connectors/> STANDARD PLUGS AND CONNECTORS CAN BE SEEN ONLINE AT <https://www.globtek.com/connectors/> ACTUAL CONNECTORS, OVERMOLDS, FERRITES MAY VARY SLIGHTLY FROM THE PICTURE BELOW DIMENSIONS ARE IN MM UNLESS SPECIFIED OTHERWISE



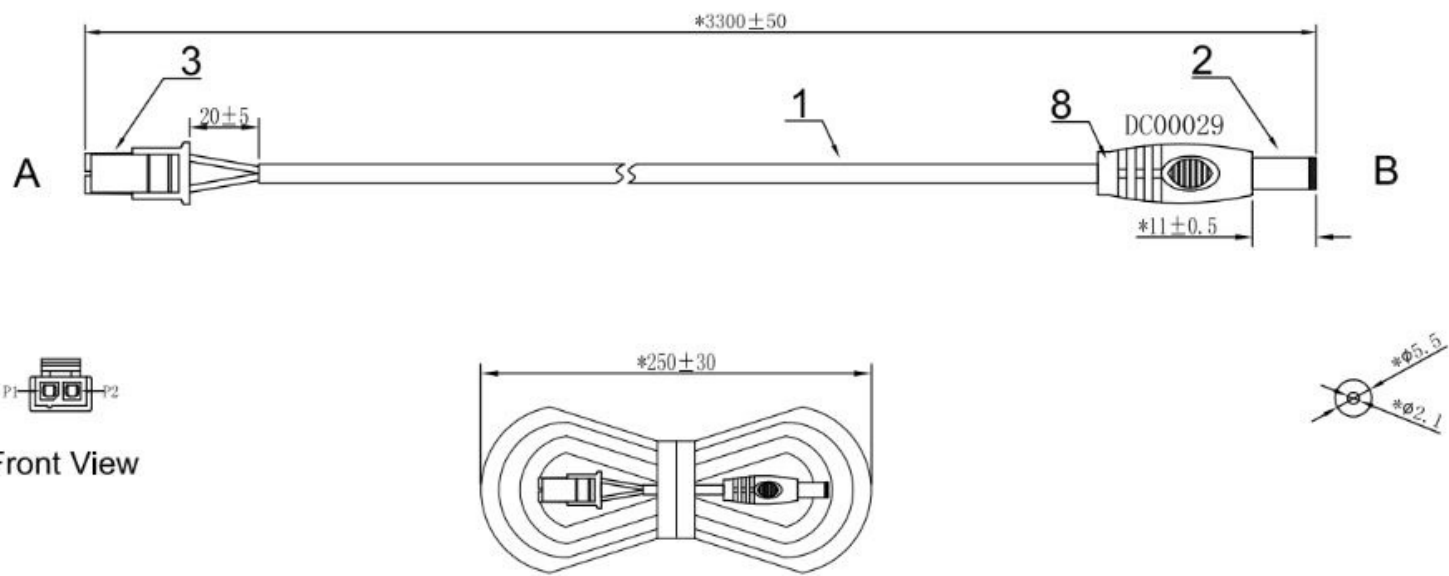
GlobTek, Inc. www.globtek.com 186 Veterans Drive, Northvale, NJ 07647 Tel. (201) 784-1000 Fax (201) 784-0111	Drawing Title: Molex 43645-0200 or approved equiv with 43030-0038 contacts to straight female barrel, 5.5 x 2.1 x 11mm w/o spring contact and locking notch, GT Cable #UL 2464 24/2: 24 / 2 Conductors, 3.8mm OD, UL2464, Deg.C, V, Black / Red, Approvals: , 3300 +/- 50mm, GlobTek Black
	Model No.
Part No./Ordering No. 43645UL24643M3CCP(R)	Rev B

CUSTOMIZED LENGTHS, COLORS, CABLE TYPES, TERMINATIONS/PLUGS/RECEPTACLES AVAILABLE UPON REQUEST. ADDITIONAL PLUG OPTIONS ARE AVAILABLE AT <https://www.globtek.com/connectors/> STANDARD PLUGS AND CONNECTORS CAN BE SEEN ONLINE AT <https://www.globtek.com/connectors/> ACTUAL CONNECTORS, OVERMOLDS, FERRITES MAY VARY SLIGHTLY FROM THE PICTURE BELOW DIMENSIONS ARE IN MM UNLESS SPECIFIED OTHERWISE

CABLE IMAGE

A	UL 2464	B
P1	Red	center
P2	Shield	outer

Important dimension "\*"



GlobTek, Inc. www.globtek.com 186 Veterans Drive, Northvale, NJ 07647 Tel. (201) 784-1000 Fax (201) 784-0111	Drawing Title: Molex 43645-0200 or approved equiv with 43030-0038 contacts to straight female barrel, 5.5 x 2.1 x 11mm w/o spring contact and locking notch, GT Cable #UL 2464 24/2: 24 / 2 Conductors, 3.8mm OD, UL2464, Deg.C, V, Black / Red, Approvals: , 3300 +/- 50mm, GlobTek Black	
	Model No.	Part No./Ordering No. 43645UL24643M3CCP(R)
		Rev B

CUSTOMIZED LENGTHS, COLORS, CABLE TYPES, TERMINATIONS/PLUGS/RECEPTACLES AVAILABLE UPON REQUEST. ADDITIONAL PLUG OPTIONS ARE AVAILABLE AT <https://www.globtek.com/connectors/> STANDARD PLUGS AND CONNECTORS CAN BE SEEN ONLINE AT <https://www.globtek.com/connectors/> ACTUAL CONNECTORS, OVERMOLDS, FERRITES MAY VARY SLIGHTLY FROM THE PICTURE BELOW DIMENSIONS ARE IN MM UNLESS SPECIFIED OTHERWISE

End A Code:43645-0200 Description:Molex 43645-0200 or approved equiv with 43030-0038 contacts Rating (V):250 Rating (A):5.0 Gender:Female Overmolded:No	Cable Code:UL 2464 24/2 Description:GT Cable #UL 2464 24/2: 24 / 2 Conductors, 3.8mm OD, UL2464, Deg.C, V, Black / Red, Approvals: Color:GlobTek Black Wire Gauge(AWG):24 Cond:2 Type:UL2464 Temperature:° C Amps: Volts: OD:3.8 ConductorsColors:Black / Red	End B Code:CB1 Description:straight female barrel, 5.5 x 2.1 x 11mm w/o spring contact and locking notch Rating (V): Rating (A):5.0 Gender:Female Overmolded:Yes
---	--	--

Overall cable rating:

Plug Approvals	Cable Approvals	Connector Approvals
----------------	-----------------	---------------------

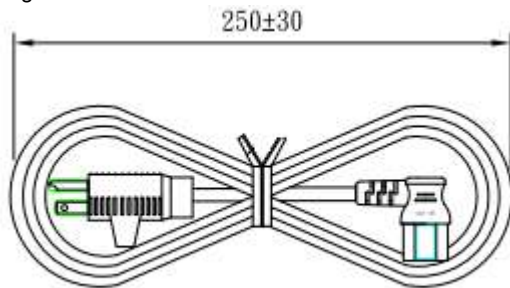
AGENCY ONLINE DOCUMENTS	<a href="http://en.globtek.com/cordsets/">http://en.globtek.com/cordsets/</a>
RoHS/RoHS3 Declaration	<a href="https://www.globtek.com/pdf/rohs_cert/01t0c000009EZwSAAW">https://www.globtek.com/pdf/rohs_cert/01t0c000009EZwSAAW</a>
REACH Declaration	<a href="https://www.globtek.com/pdf/iso_certificates/REACH.pdf">https://www.globtek.com/pdf/iso_certificates/REACH.pdf</a>
Conflict Minerals Declaration	<a href="https://www.globtek.com/pdf/conflict-minerals.pdf">https://www.globtek.com/pdf/conflict-minerals.pdf</a>
Prop 65 Statement	<a href="https://en.globtek.com/prop-65-statement.pdf">https://en.globtek.com/prop-65-statement.pdf</a>
CE.UKCA.Cord	<a href="https://globtek.secure.force.com/spec/ec_decl_product_model_family_incl_cord?id=01t0c000009EZwS">https://globtek.secure.force.com/spec/ec_decl_product_model_family_incl_cord?id=01t0c000009EZwS</a>

IPXY rating is based on 3rd party testing and customers should check suitability and test system level IPXY rating before ordering.

<p>GlobTek, Inc. www.globtek.com 186 Veterans Drive, Northvale, NJ 07647 Tel. (201) 784-1000 Fax (201) 784-0111</p>	<p>Drawing Title: Molex 43645-0200 or approved equiv with 43030-0038 contacts to straight female barrel, 5.5 x 2.1 x 11mm w/o spring contact and locking notch, GT Cable #UL 2464 24/2: 24 / 2 Conductors, 3.8mm OD, UL2464, Deg.C, V, Black / Red, Approvals: , 3300 +/- 50mm, GlobTek Black</p>
	<p>Model No.</p> <p>Part No./Ordering No. 43645UL24643M3CCP(R)</p> <p style="text-align: right;">Rev B</p>

CUSTOMIZED LENGTHS, COLORS, CABLE TYPES, TERMINATIONS/PLUGS/RECEPTACLES AVAILABLE UPON REQUEST. ADDITIONAL PLUG OPTIONS ARE AVAILABLE AT <https://www.globtek.com/connectors/> STANDARD PLUGS AND CONNECTORS CAN BE SEEN ONLINE AT <https://www.globtek.com/connectors/> ACTUAL CONNECTORS, OVERMOLDS, FERRITES MAY VARY SLIGHTLY FROM THE PICTURE BELOW DIMENSIONS ARE IN MM UNLESS SPECIFIED OTHERWISE

Hanking:250  
Description:250 +/- 30mm  
Image:



Notes/Modifications/Customizations (notes in this section supersede the values shown in the standard spec):