

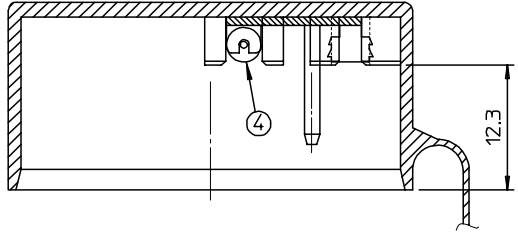
DWG. NO.
SD-68154-001

SIMILAR ITEM

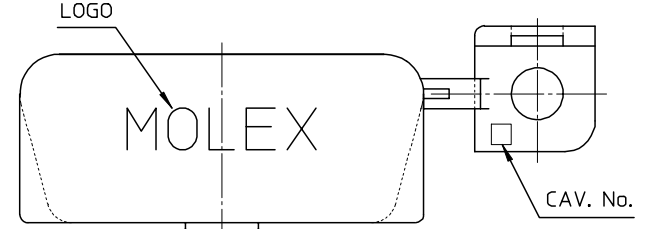
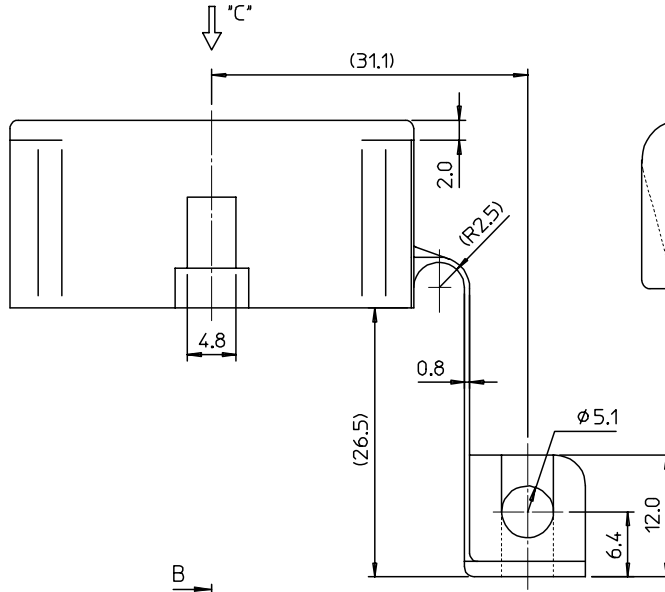
PROJECT NO.

B

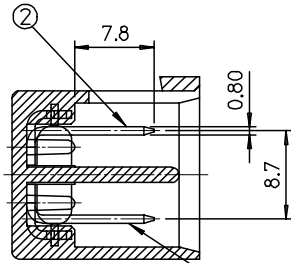
DO NOT SCALE DRAWING
DIMENSION IN METRIC



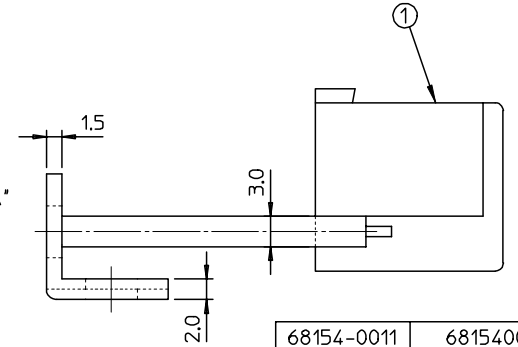
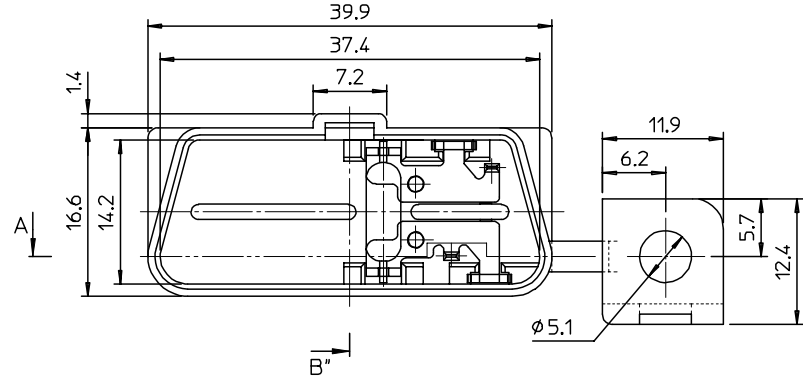
SEC' : A-A"



VIEW "C"



SEC' : B-B*



| | |
|------------|--------------|
| 68154-0011 | 681540011 |
| PART No. | MATERIAL No. |

| | | | |
|-----------------------------|-------------------------------|--|-------------------------------|
| DIMENSIONS: | | SHT | REV |
| <input type="checkbox"/> mm | <input type="checkbox"/> INCH | <input checked="" type="checkbox"/> mm | <input type="checkbox"/> INCH |
| | | REVISE ON CAD ONLY | |

| NO. | PART NAME | PART No. | MATERIAL | REMARK |
|-----|-----------|------------|----------|-------------|
| 1 | COVER | 68154-0091 | PP | BLACK |
| 2 | PIN-A | 35488-9002 | BRASS | TIN PLATING |
| 3 | PIN-B | 35488-9102 | BRASS | TIN PLATING |
| 4 | RESISTOR | --- | --- | 510Ω ±5% |

| | |
|---------------|------------------------|
| CHANGED BOARD | ECN NO. KOR2003-0261 |
| | DRWN: S.M.KIM 04/12/24 |
| | CHK: B.C.YOON |
| | APPR: C.W.LEE |
| REV | DESCRIPTION |
| C | |

| |
|-----------------|
| QUALITY SYMBOLS |
| MAJOR |
| CRITICAL |

| | |
|---|------|
| GENERAL TOLERANCES: (UNLESS SPECIFIED) | |
| 4 PLACES | ±0.1 |
| 3 PLACES | ±0.2 |
| 2 PLACES | ±0.3 |
| 1 PLACE | ±0.4 |
| ANGULAR: ± 1° | |

| | |
|--------------------|--|
| SCALE | DESIGN UNITS |
| 2/1 | <input checked="" type="checkbox"/> mm <input type="checkbox"/> INCH |
| DRAWN BY & DATE | |
| J.S.KANG 00/01/06 | |
| CHECKED BY & DATE | |
| B.K.CHOI 00/01/06 | |
| APPROVED BY & DATE | |
| C.W.LEE 00/01/06 | |

| | | | |
|------------------------|--|--|--|
| THIRD ANGLE PROJECTION | | TITLE: | |
| | | OBDII DUMMY PLUG ASS'Y (RESISTOR A-PULL UP) | |
| CAD FILENAME | | MATERIAL NO. | |
| E68154AB.MI | | SEE TABLE | |
| DRAWING NO. | | SHEET NO. | |
| SD-68154-001 | | 1 of 1 | |

DRAFT WHERE APPLICABLE MUST REMAIN WITHIN DIMENSIONS

THIS DRAWING CONTAINS INFORMATION THAT IS PROPRIETARY TO MOLEX INCORPORATED AND SHOULD NOT BE USED WITHOUT WRITTEN PERMISSION.

KOREA MX-A3