

MATERIALS AND FINISHES:

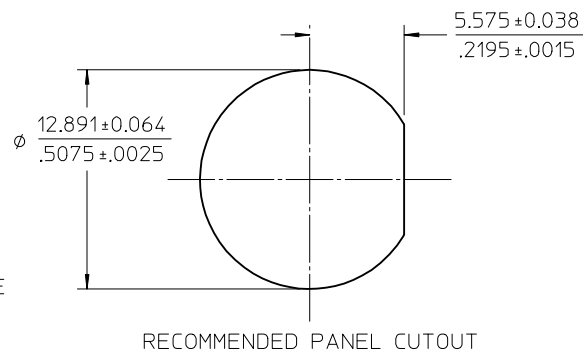
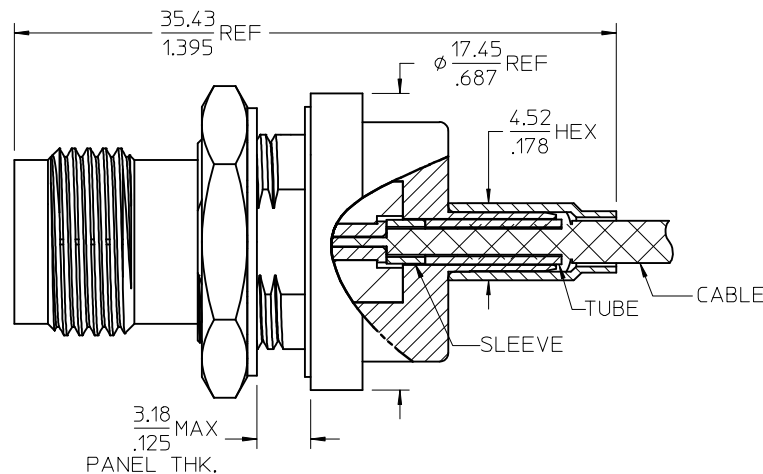
BODY, TUBE, CRIMP TUBE, JAMNUT BRASS
PLATED NICKEL

CENTER CONTACT BERYLLIUM COPPER
PLATED GOLD

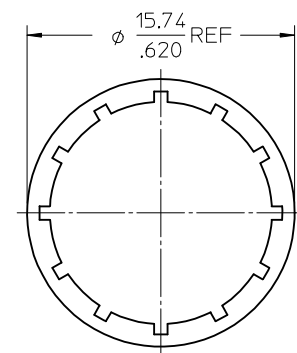
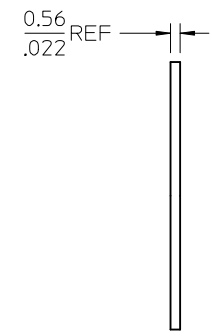
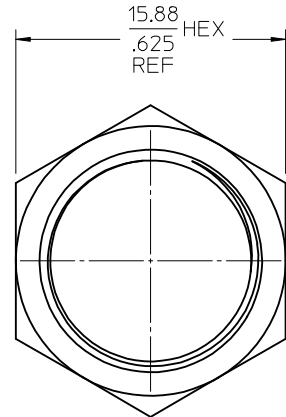
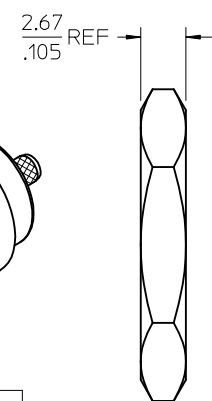
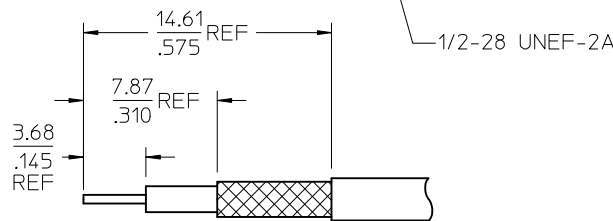
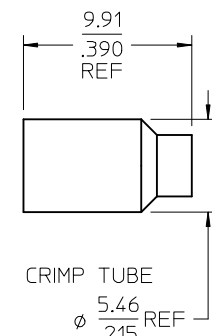
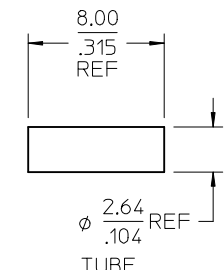
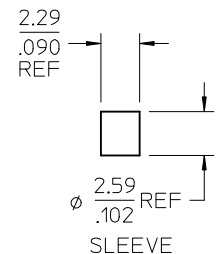
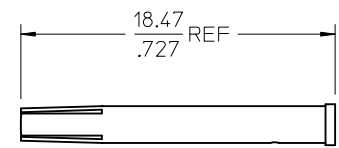
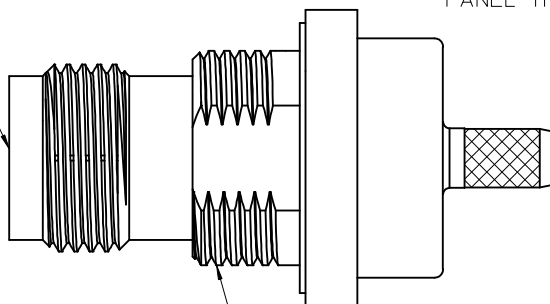
INSULATOR, SLEEVE TEFLON

LOCKWASHER PHOSPHOR BRONZE
PLATED NICKEL

GASKET SILICONE RUBBER



TNC JACK
INTERFACE



MIL-STD-348A, FIG. 313.2	INTERFACE
SPECIFICATION	DESCRIPTION

73216-1331	ONE PER BAG
73216-1330	BULK
PART NO.	PACKAGING

CHG: UPDATE STRIP	EC NO: URF2013-0644	2013/05/16
DRWN: WIENER	CHKD: SSS	2013/05/16
APPR: WIENER		2013/05/21
REV: A3	DESCRIPTION	

QUALITY SYMBOLS	GENERAL TOLERANCES (UNLESS SPECIFIED)
▽=0	mm INCH
▽=0	4 PLACES ± --- ± ---
	3 PLACES ± --- ± ---
	2 PLACES ± --- ± ---
	1 PLACE ± --- ± ---
	ANGULAR ± 2 °
	DRAFT WHERE APPLICABLE MUST REMAIN WITHIN DIMENSIONS

DIMENSION STYLE	SCALE
MM/IN	DESIGN UNITS METRIC
DRAWN BY DATE	THIRD ANGLE PROJECTION
SSS 2004/03/17	
CHECKED BY DATE	
TEF 2004/03/17	
APPROVED BY DATE	
GMH 2004/03/17	
MATERIAL NO.	DOCUMENT NO.
SEE TABLE	SD-73216-133
SIZE C	SHEET NO. 1 OF 1

TITLE	
TNC JACK, BLKHD, RG316	
50 OHMS, EWR-2370	
TNC-JC/BLKD	
MOLEX INCORPORATED	
THIS DRAWING CONTAINS INFORMATION THAT IS PROPRIETARY TO MOLEX INCORPORATED AND SHOULD NOT BE USED WITHOUT WRITTEN PERMISSION	