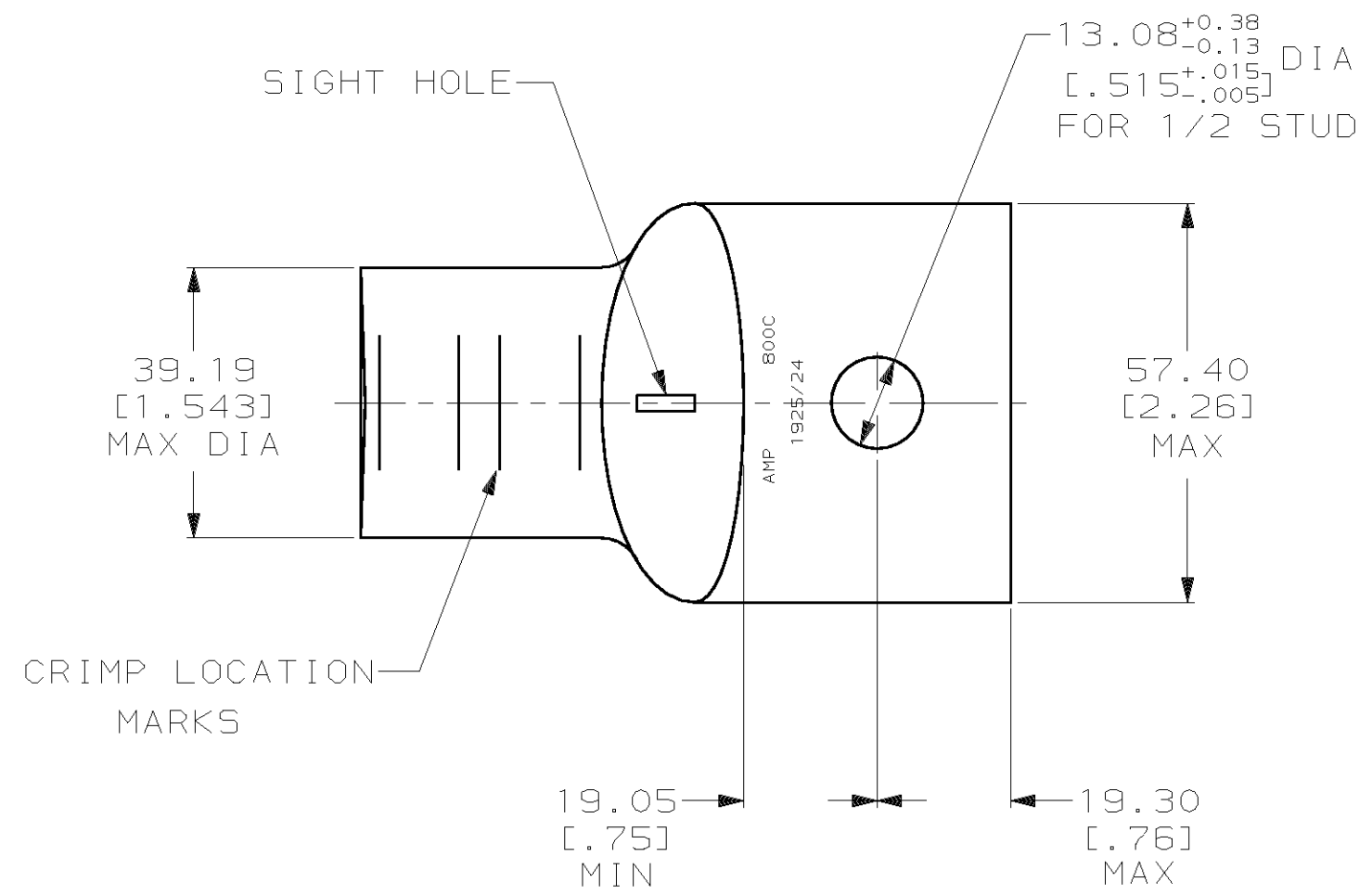
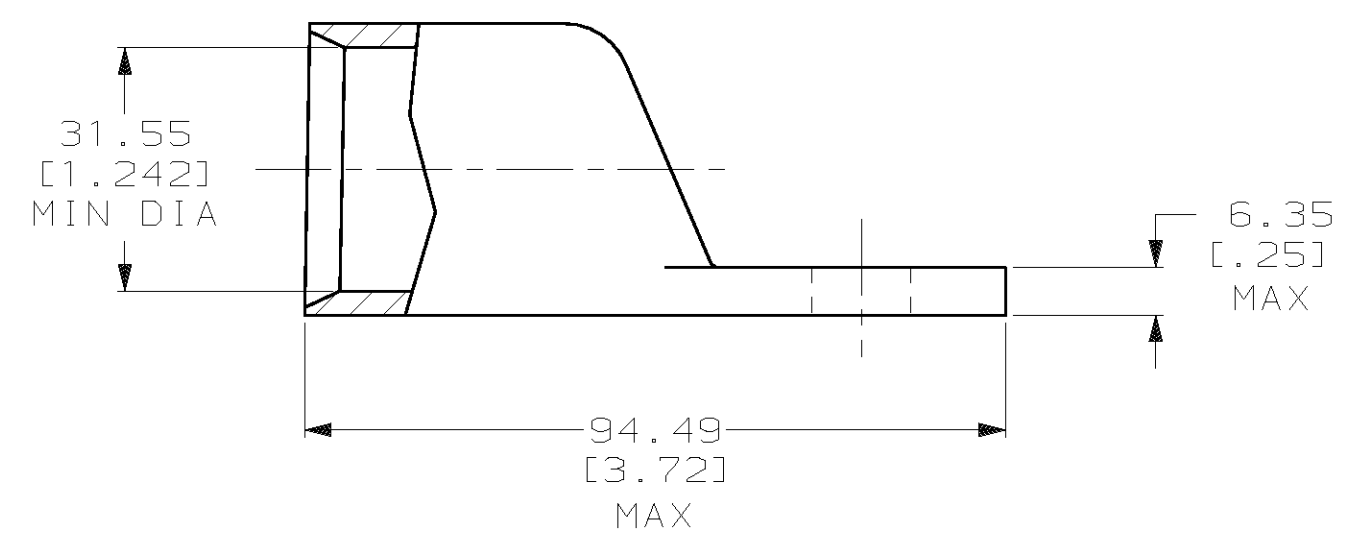


THIS DRAWING IS UNPUBLISHED. RELEASED FOR PUBLICATION .19 .
 © COPYRIGHT 19 BY AMP INCORPORATED. ALL INTERNATIONAL RIGHTS RESERVED.

LOC		DIST		REVISIONS				DATE	APPD
ZONE	LTR	DESCRIPTION	DATE	APPD					
G	86						09OCT02	JR MS	
		K	REV PER 063A-0561-01						



- 1 CIRCULAR MIL RANGE: 750-850 MCM
- 2 TIN PL 0.00381 [.000150] MIN THK PER MIL-T-10727



METRIC

DO NOT SCALE PRINT. UNLESS SPECIFIED DIMENSIONS IN mm [INCHES] TOLERANCES ON : 2 PLC DEC ± 0.51 [.020] 3 PLC DEC ± - ANGLES ± -		DR 9/17/91 DK SCHRUM	AMP INCORPORATED Harrisburg, Pa. 17105	
MATERIAL ANNEALED COPPER ASTM B-75		CHK 9/17/91 AJ KAUFMAN		
FINISH		APPD 9/18/91 WJ VOCKROTH	NAME TERMINAL, AMPPOWER™ WIRE SIZE: 405.0mm ² [800]MCM	
		APPD 9/18/91 AJ ADELMANN	DRAWING NO 326405	
WEIGHT .593 LB		APPLICATION SPEC -	SIZE C	CAGE CODE 00779
			SCALE 1:1	SHEET 1 OF 1

326405