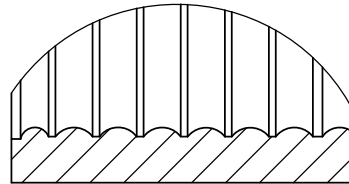
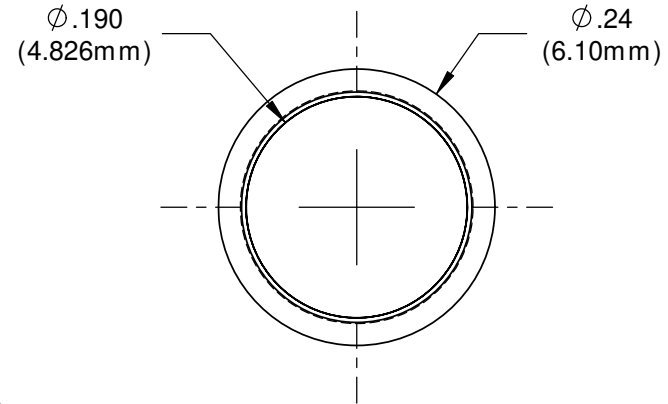
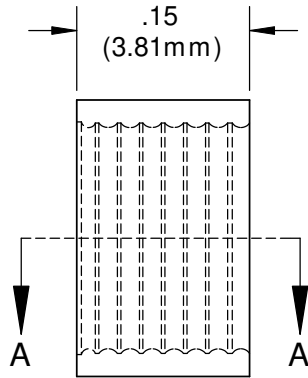


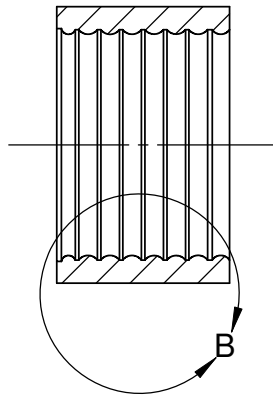
NOTES:

- 1) Use with SML 190, SMB200, & SMQ 250
- 2) U.S. & Foreign Pat. Issued & Pend.

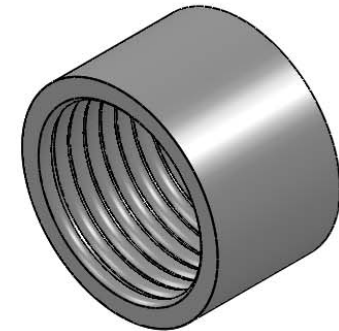
REVISIONS				
ECN #	REV	DESCRIPTION	DATE	INITIALS
	N/A	INITIAL RELEASE	2/19/98	JS
	001	REVISED PER ECR111009AZ01	2/15/10	KH



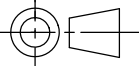
DETAIL B  
SCALE 12 : 1



SECTION A-A



ISOMETRIC VIEW

<small>UNLESS OTHERWISE SPECIFIED DIMENSIONS ARE IN INCHES: ANGLES ± 1°    DECIMALS .X ± .020                   .XX ± .010 FINISH        .XXX ± .005</small>  <small>BREAK ALL CORNERS AND SHARP EDGES .250 MAX</small>   <small>THIRD ANGLE PROJECTION</small>  <small>PROPRIETARY AND CONFIDENTIAL</small> <small>THE INFORMATION CONTAINED IN THIS DRAWING IS THE SOLE PROPERTY OF VISUAL COMMUNICATIONS COMPANY, INC. ANY REPRODUCTION IN PART OR AS A WHOLE WITHOUT THE WRITTEN PERMISSION OF VISUAL COMMUNICATIONS COMPANY, INC. IS PROHIBITED.</small>	<b>MATERIAL</b> POLYPROPYLENE UL 94-HB		<b>VISUAL COMMUNICATIONS COMPANY</b> 190 Bosstick Boulevard, Suite 101 San Marcos, CA 92069 USA Phone (760) 560-1300 Fax (760) 560-1301 email vccsales@vccite.com	
	<b>FINISH</b> SEE NOTES		<b>TITLE:</b> CLIPLITE RNG 190	
<b>APPROVALS</b>		<b>DATE</b>		
DRAWN K.Howard		2/15/10		
CHECKED DPZ		2/22/10		
DO NOT SCALE DRAWING		SIZE <b>A</b>	DWG. NO. <b>RNG 190</b>	REV <b>001</b>
		SCALE: 6:1		SHEET 1 OF 1