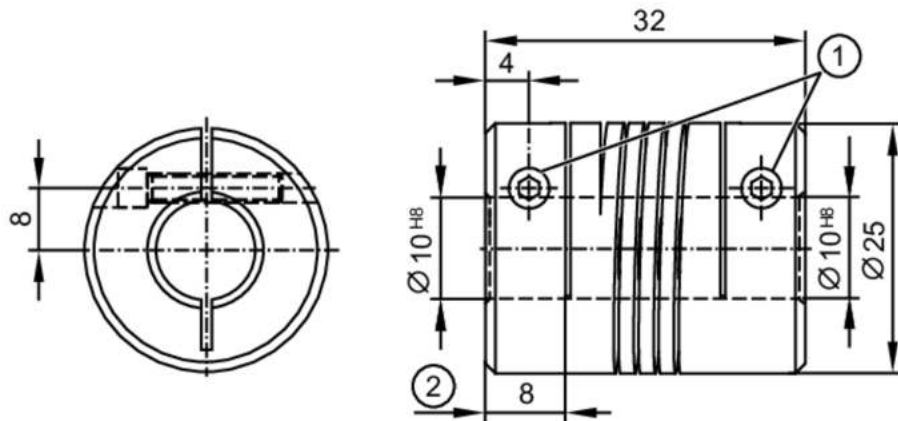


# E60067



## Flexible coupling for encoders

COUPLING 25-10-10-32-KV



- 1 M4 x 12 - ISO 4762 (2x)  
2 Depth der Klemmnabe

### Mechanical data

|                                |         |                                   |
|--------------------------------|---------|-----------------------------------|
| Weight                         | [g]     | 32.9                              |
| Dimensions                     | [mm]    | Ø 25 / L = 32                     |
| Materials                      |         | aluminium                         |
| Tightening torque              | [Nm]    | tightening torque screws: 120 Ncm |
| External diameter D            | [mm]    | 25                                |
| Inside diameter 1              | [mm]    | 10                                |
| Inside diameter 2              | [mm]    | 10                                |
| Depth of the clamping hub      | [mm]    | 8                                 |
| Clamping screw                 | [mm]    | M4 x 12 - ISO 4762 (2x)           |
| Length                         | [mm]    | 32                                |
| Max. revolution, mechanical    | [U/min] | 6000                              |
| Max. axial shaft misalignment  | [mm]    | ± 0,5                             |
| Max. radial shaft misalignment | [mm]    | ± 0,35                            |
| Max. angular displacement      | [°]     | ± 4,0                             |

### Remarks

|               |   |
|---------------|---|
| Remarks       | The data indicated apply to couplings with the above hub borings at an ambient temperature of 23 °C.<br>The values of radial, angular and axial displacement are maximum values which must not reach their maximum simultaneously while in operation. |
| Pack quantity | 1 pcs.  |