



**FocusLCDs.com**  
LCDs MADE SIMPLE®

Ph. 480-503-4295 | [NOPP@FocusLCD.com](mailto:NOPP@FocusLCD.com)

TFT | CHARACTER | UWVD | FSC | SEGMENT | CUSTOM | REPLACEMENT

## OLED Display Module

### Part Number

O402-CW-SW3

### Overview

Character OLED: 40x2 (182x33.5), White  
Pixels, Wide Temp (-40° to +70°  
operating/-40° to +85° storage), 3V OLED,  
RoHS Compliant. Controller: KS0066

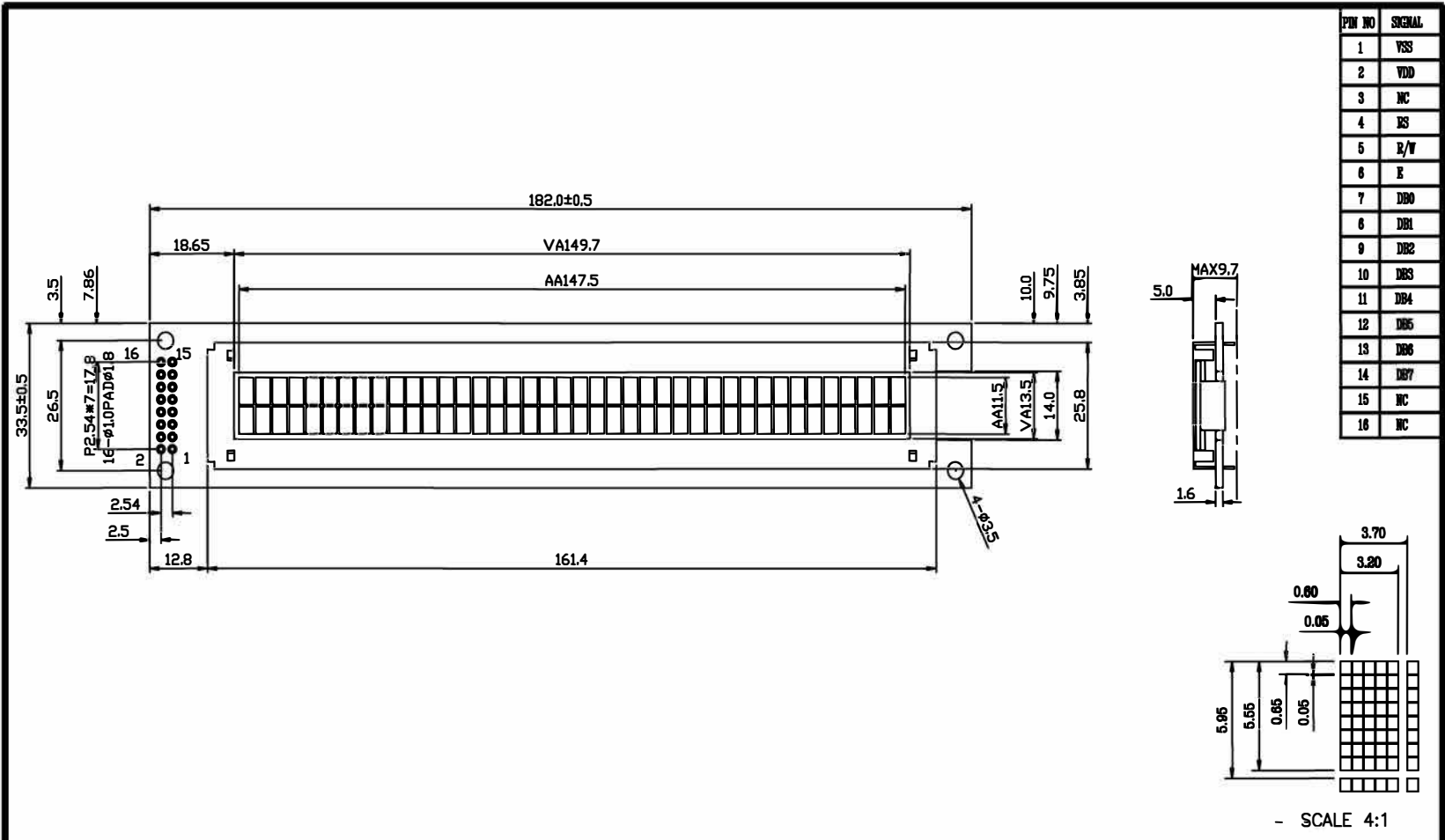
## GENERAL SPECIFICATION

ITEM	DESCRIPTION				
Product No	O402A-CW-SW3				
OLED Type	■ OLED White & Black				
Rear Polarizer	■ Reflective / Positive				
Backlight Type	■ OLED				
OLED Color	<input type="checkbox"/> Yellow	<input type="checkbox"/> Green	<input type="checkbox"/> Amber	<input checked="" type="checkbox"/> White	<input type="checkbox"/>
Temperature Range	■ Wide Temp., 3.3V, Single Supply Voltage				
Frame	■ Black				

### TO BE VERY CAREFUL !

The OLED driver ICs are made by CMOS process, which are very easy to be damaged by static charge, make sure the user is grounded when handling the LCM.

✘ **This parts comply with RoHs**



NOTE	ITEM	CONTENT	DATA	REV	TOLERANCE	SCALE 1/1	UNIT mm	APVD	CHKD	DWN	CUSTOMER APVL	DATE	TITLE
		NEW DRAWING	2015.09.17	0	X. ±0.30							2015.09.17	MODEL O402-CW-SS3
					.X ±0.20								DWG NO D-A1-
					.XX±0.05								PAGE 1/1



## ABSOLUTE MAXIMUM RATING

### (1) Electrical Absolute Ratings

Item	Symbol	Min.	Max.	Unit	Note
Power Supply for Logic	$V_{DD}-V_{SS}$	-0.3	5.5	Volt	
Power Supply for OLED	$V_{DD}-V_{CC}$	-0.3	13.0	Volt	
Input Voltage	$V_I$	-0.3	$V_{DD}$	Volt	
Life Time (100 cd/m <sup>2</sup> )	$V_{CC} = 7.25V$ $T_a = 25^\circ C$ 50% RH	50,000	---	Hour	

### (2) Environmental Absolute Maximum Ratings

Item	Wide Temperature			
	Operating		Storage	
	Min,	Max.	Min,	Max.
Ambient Temperature	-40°C	+70°C	-40°C	+85°C
Humidity(without condensation)	Note 4,5		Note 4,6	

Note 2  $T_a \leq 50^\circ C$ : 80% RH max

$T_a > 50^\circ C$ : Absolute humidity must be lower than the humidity of 85%RH at 50°C

Note 3  $T_a$  at -20°C will be <48hrs at 70°C will be <120hrs when humidity is higher than 70%.

Note 4 Background color changes slightly depending on ambient temperature. This phenomenon is reversible.

Note 5  $T_a \leq 70^\circ C$ : 75RH max

$T_a > 70^\circ C$ : absolute humidity must be lower than the humidity of 75%RH at 70°C

Note 6  $T_a$  at -30°C will be <48hrs, at 80 °C will be <120hrs when humidity is higher than 70%.

## ELECTRICAL CHARACTERISTICS

Item	Symbol	Condition	Min.	Typ	Max.	Unit	note
Power Supply for Logic	$V_{DD}-V_{SS}$	-	2.4	3.3	3.6	Volt	
Power Supply for OLED	$V_{PP}-V_{SS}$	-	8.5	9.0	9.5	Volt	Note 5
Input Voltage	$V_{IL}$	L level	0	-	$0.3 V_{DD}$	Volt	
	$V_{IH}$	H level	$0.7 V_{DD}$	-	$V_{DD}$	Volt	
Output Voltage	$V_{OL}$	L level	0	-	$0.3 V_{DD}$		
	$V_{OH}$	H level	$0.7 V_{DD}$	-	$V_{DD}$		
Operating Current for $V_{pp}$	$I_{pp}$	Note 6	-	45.2	54.6	Volt	
		Note 7	-	47.2	62.2		
		Note 8	-	54.2	75.1		
Power Supply Current for OLED	$I_{DD}$	$V_{DD}=3.3V$ $V_{pp}=9.0V$	-	55.0	75.9	mA	

Note 5: Brightness (Lbr) and Supply Voltage for Display ( $V_{pp}$ ) are subject to the change of the panel characteristics and the customer's request.

Note 6:  $V_{DD}=3.3V$ ,  $V_{pp}=9.0V$  generated by internal DC/DC convertor, 30% Display Area Turn on.

Note 7:  $V_{DD}=3.3V$ ,  $V_{pp}=9.0V$  generated by internal DC/DC convertor, 50% Display Area Turn on. (POR)

Note 8:  $V_{DD}=3.3V$ ,  $V_{pp}=9.0V$  generated by internal DC/DC convertor, 100% Display Area Turn on.

## OPTICAL CHARACTERISTICS

Item	Symbol	Condition	Min.	Typ	Max.	Unit	note
Viewing angle range	$\Phi f(12 \text{ o'clock})$	When $Cr \geq 10000:1$	-	75	-	Degree	9,10
	$\Phi b(6 \text{ o'clock})$		-	75	-		
	$\Phi l(9 \text{ o'clock})$		-	65	-		
	$\Phi r(3 \text{ o'clock})$		-	65	-		
Rise Time	$T_r$	$V_{DD}=3.3V$ $V_{pp}=9.0V$	-	40		mS	
Fall Time	$T_f$		-	40			
Contrast	$Cr$		-	10000:1	-		
Brightness	L	Check Board Brightness	40	55	-	$cd/m^2$	Note 5
Peak Emission Wavelength	C.I.E (White)		X=0.25 Y=0.27	X=0.29 Y=0.31	X=0.33 Y=0.35	nm	

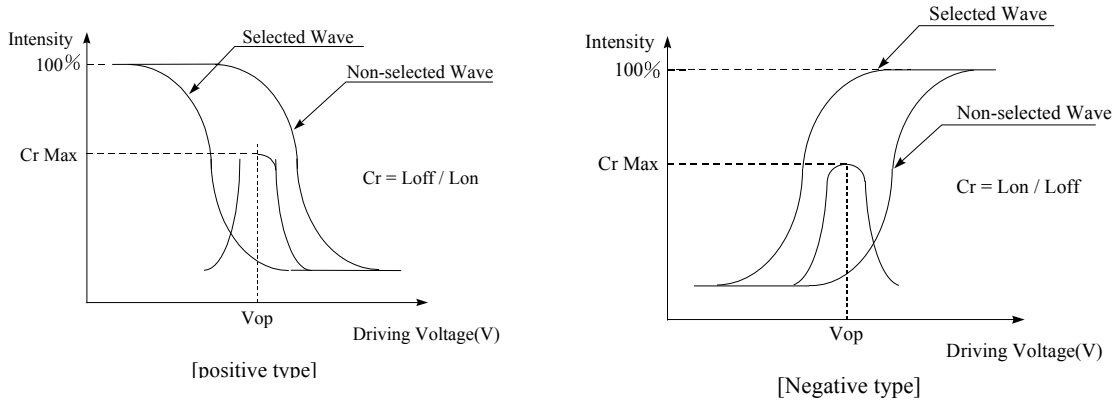
## MECHANICAL SPECIFICATION

ITEM	DESCRIPTION
Product No.	O402A-CW-SW3
Viewing Area	149.7(W)mm×13.5(H)mm
Module Size	182.0(W)×33.5(H)×9.7 max(D)
Dot Size	0.60(W)mm×0.65(H)mm
Dot Pitch	0.65(W)mm×0.70(H)mm
Display Format	40 characters (W)×2 lines (H)
Controller Interface	KS0066 or Equivalent 8-bit 68xx-Series
ROM Selection	English_Japanese Character Font Table
Built-in	With DC/DC Converter

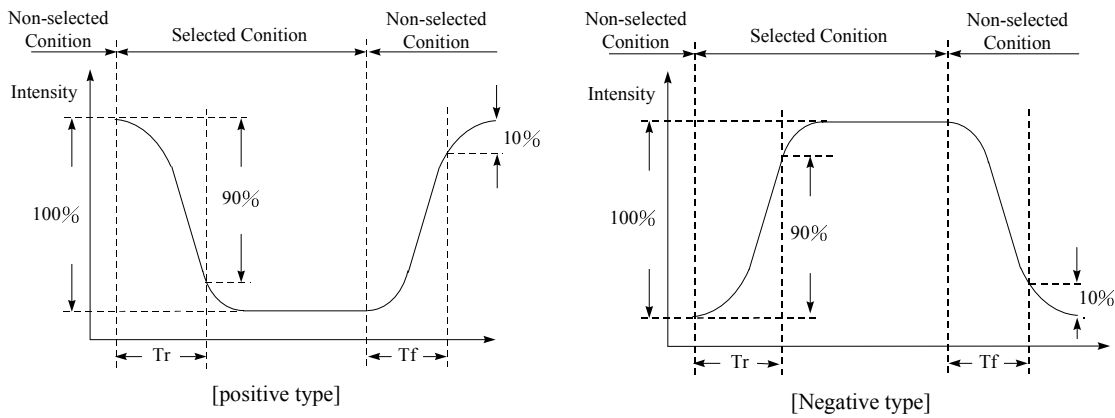
## INTERFACE PIN ASSIGNMENT

Pin No.	Pin Out	Level	Description
1	VSS	0V	Power Supply Ground
2	VDD	3.3V	Power Supply Voltage
3	NC	---	No Connector
4	RS	H/L	Register Select
5	R/W	H/L	Read / Write
6	E	H,H→L	Enable Signal
7	DB0	H/L	Data Bit 0
8	DB1	H/L	Data Bit 1
9	DB2	H/L	Data Bit 2
10	DB3	H/L	Data Bit 3
11	DB4	H/L	Data Bit 4
12	DB5	H/L	Data Bit 5
13	DB6	H/L	Data Bit 6
14	DB7	H/L	Data Bit 7
15	NC	---	No Connector
16	NC	---	No Connector

**[Note 7] Definition of Operation Voltage (Vop)**



**[Note 8] Definition of Response Time (Tr, Tf)**



**Conditions:**

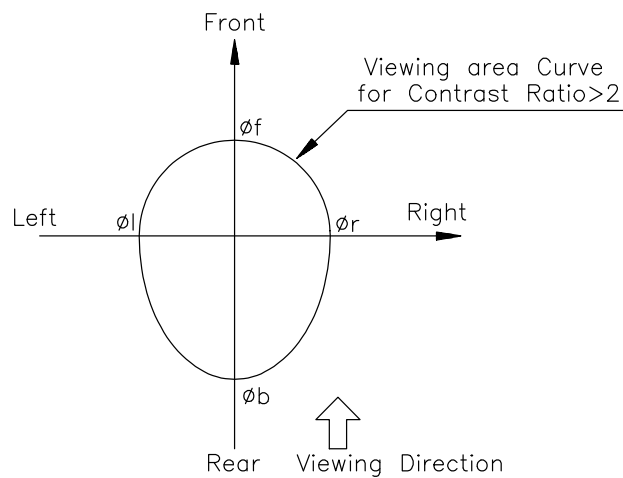
**Operating Voltage : Vop**

**Frame Frequency : 64 Hz**

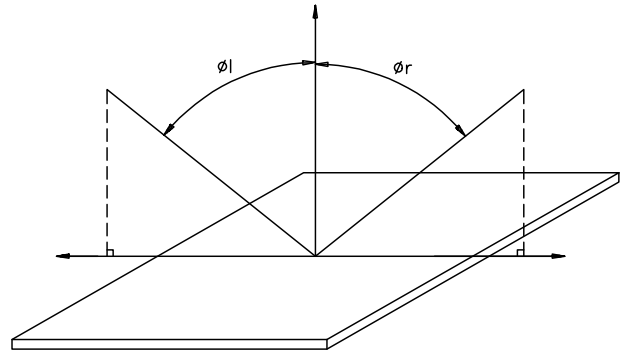
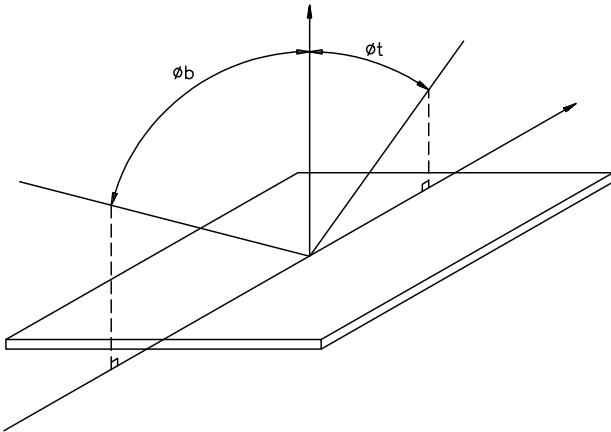
**Viewing Angle ( $\theta, \varphi$ ):  $0^\circ, 0^\circ$**

**Driving Wave form : 1/N duty, 1/a bias**

**[Note 9] Definition of Viewing Direction**

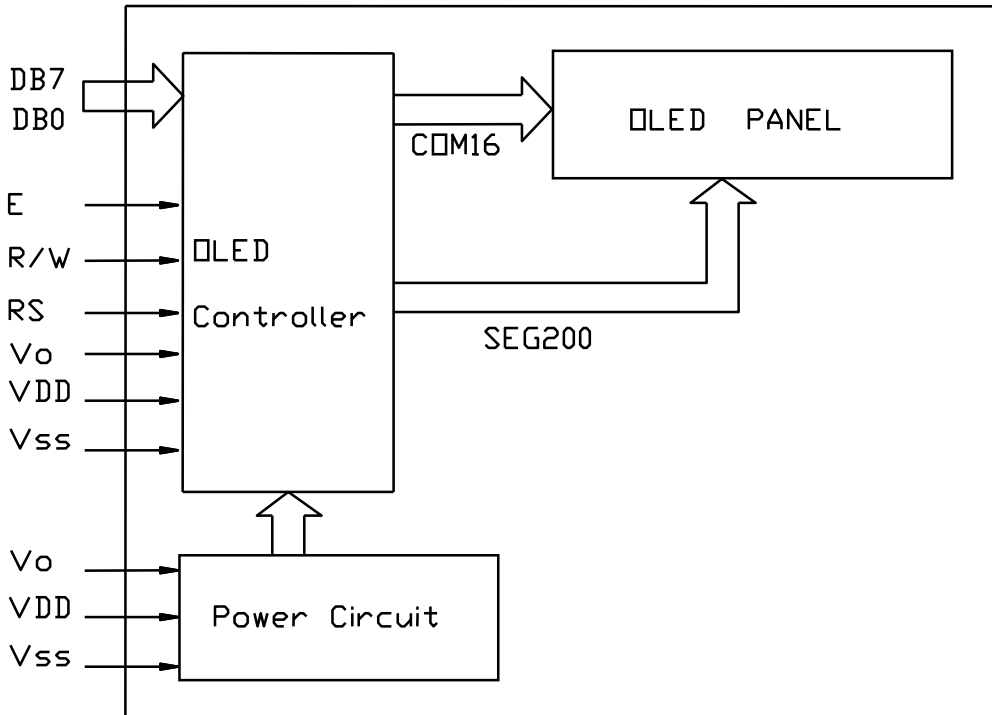


**[Note 10] Definition of viewing angle**

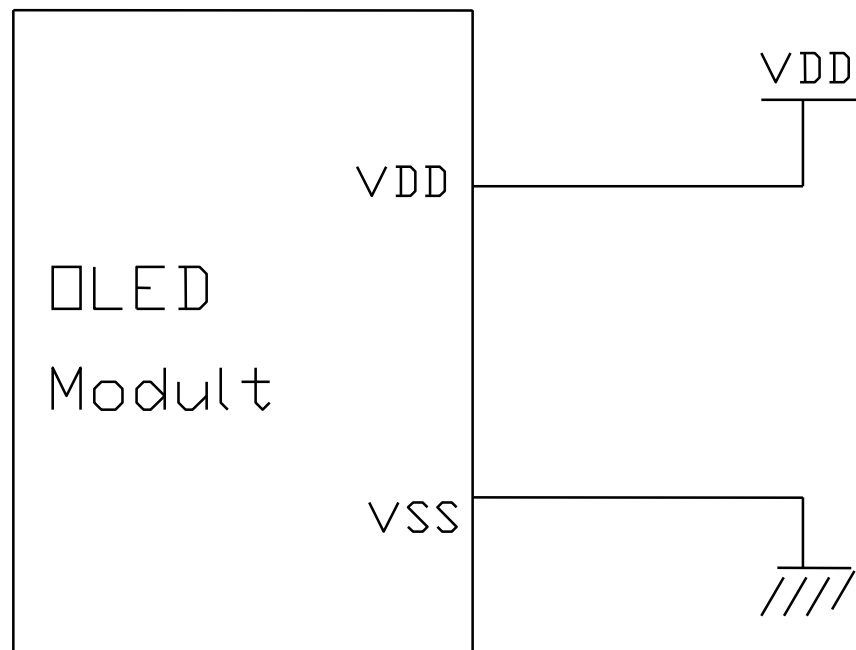




## BLOCK DIAGRAM



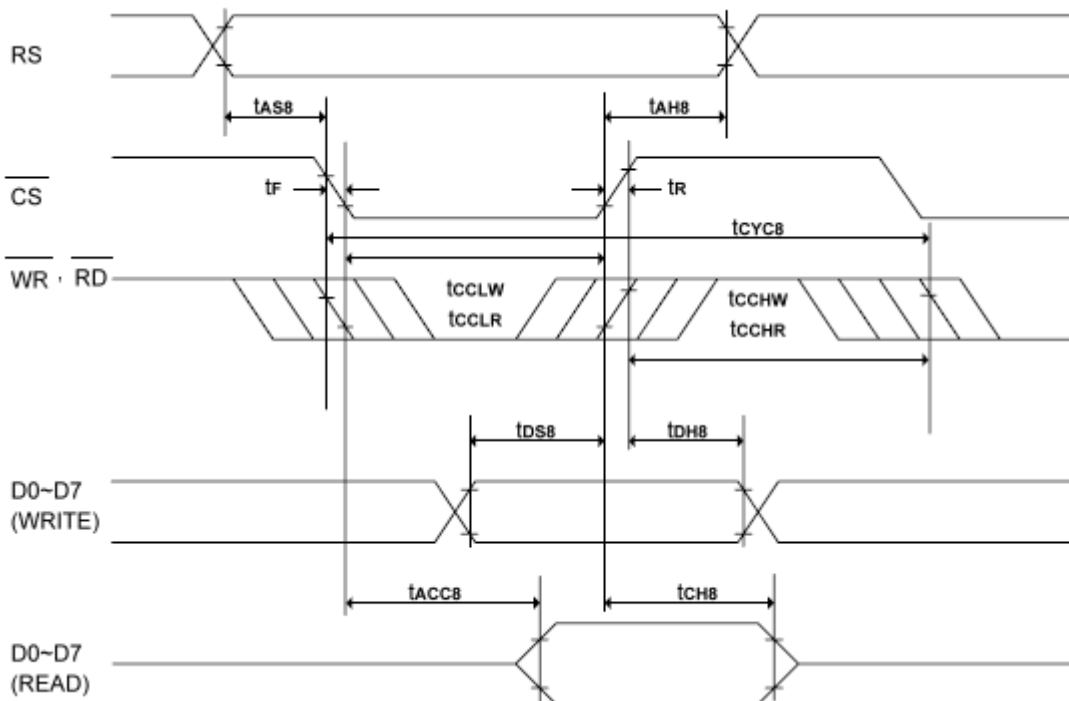
## POWER SUPPLY



## TIMING CHARACTERISTICS

Symbol	Description	Min	Max	Unit
t <sub>cyb8</sub>	System cycle time	500	-	ns
t <sub>as8</sub>	Address setup time	0	-	ns
t <sub>ah8</sub>	Address hold time	0	-	ns
t <sub>ds8</sub>	Data setup time	66	-	ns
t <sub>dh8</sub>	Data hold time	25	-	ns
t <sub>ch8</sub>	Output disable time (C <sub>L</sub> = 100pF)	16	110	ns
t <sub>acc8</sub>	$\overline{RD}$ access time (C <sub>L</sub> = 100pF)	-	230	ns
t <sub>cclw</sub>	Control L pulse width (WR)	166	-	ns
t <sub>cclr</sub>	Control L pulse width (RD)	200	-	ns
t <sub>cchw</sub>	Control H pulse width (WR)	166	-	ns
t <sub>cchr</sub>	Control H pulse width (RD)	166	-	ns
t <sub>r</sub>	Rise time	-	25	ns
t <sub>f</sub>	Fall time	-	25	ns

\* (V<sub>DD1</sub> = 2.2 – 5.5V, T<sub>A</sub> = +25°C)



## FUNCTIONAL SPECIFICATION

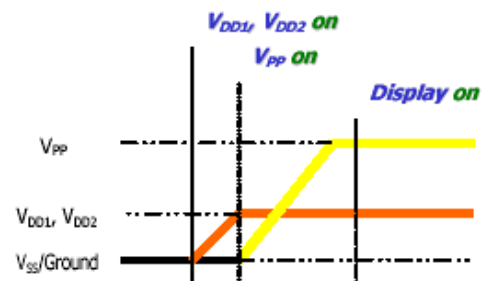
### Commands

#### Power down and Power up Sequence

To protect OEL panel and extend the panel life time, the driver IC power up/down routine should include a delay period between high voltage and low voltage power sources during turn on/off. It gives the OEL panel enough time to complete the action of charge and discharge before/after the operation.

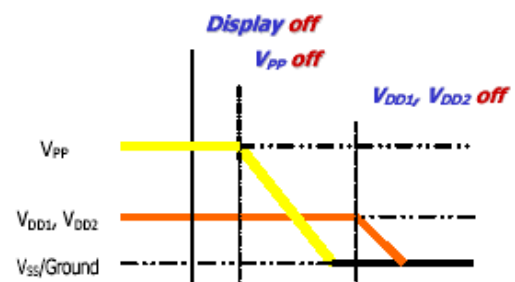
##### 4.2.1 Power up Sequence

1. Power up  $V_{DD1}$  &  $V_{DD2}$
2. Send Display off command
3. Initialization
4. Clear Screen
5. Power up  $V_{PP}$
6. Delay 100ms  
(When  $V_{PP}$  is stable)
7. Send Display on command



##### 4.2.2 Power down Sequence

1. Send Display off command
2. Power down  $V_{PP}$
3. Delay 100ms  
(When  $V_{PP}$  is reach 0 and panel is completely discharges)
4. Power down  $V_{DD1}$  &  $V_{DD2}$



Note :

- 1) Since an ESD protection circuit is connected between  $V_{DD1}$ ,  $V_{DD2}$  and  $V_{PP}$  inside the driver IC,  $V_{CC}$  becomes lower than  $V_{DD1}$  &  $V_{DD2}$  whenever  $V_{DD1}$  &  $V_{DD2}$  is ON and  $V_{PP}$  is OFF.
- 2)  $V_{CC}$  should be kept float (disable) when it is OFF.
- 3) Power Pins ( $V_{DD1}$ ,  $V_{DD2}$ ,  $V_{PP}$ ) can never be pulled to ground under any circumstance.
- 4)  $V_{DD1}$  &  $V_{DD2}$  should not be power down before  $V_{PP}$  power down.

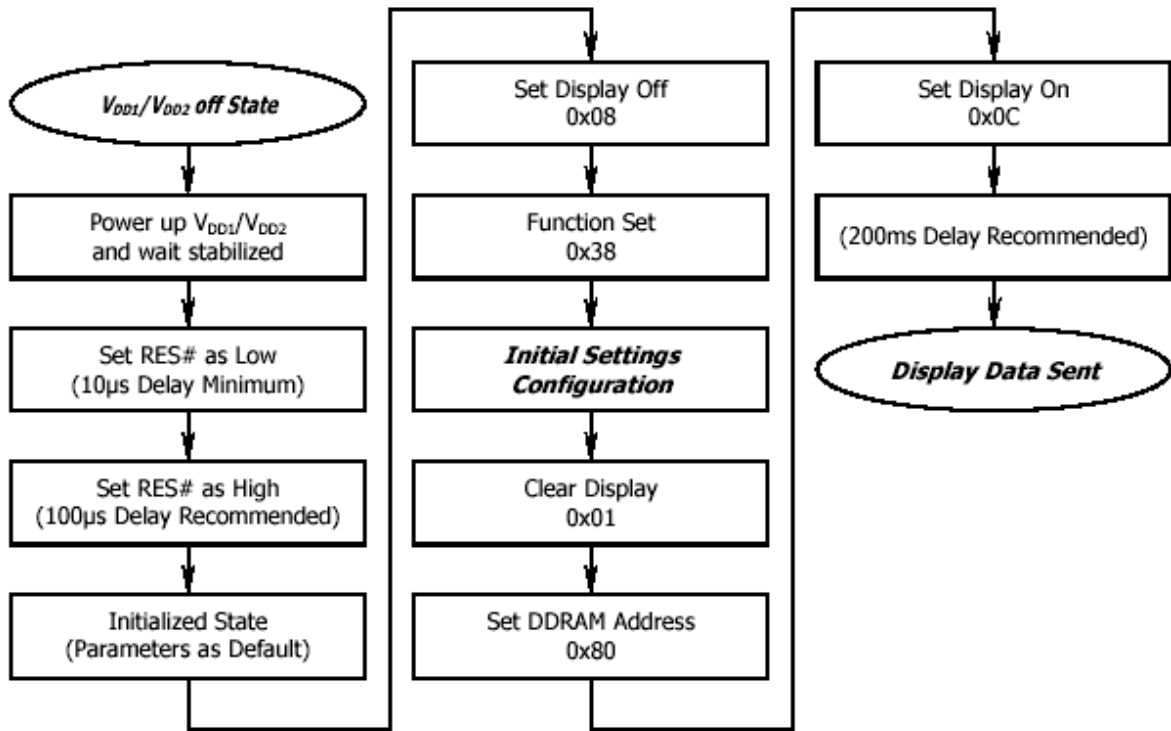
## RESET CIRCUIT

When RES# input is low, the chip is initialized with the following status:

1. Display is OFF
2. 5×8 Character Mode
3. Display start position is set at display RAM address 0
4. CGRAM address counter is set at 0
5. Cursor is OFF
6. Blink is OFF
7. Contrast control register is set at 7Fh
8. OLED command set is disabled
9. SEG direction set: SEG1 → SEG100
10. COM direction set: COM1 → COM32
11. Software set Font table disable
12. Font table select: Font table 1

## ACTUAL APPLICATION EXAMPLE

<Power up Sequence>



## CGROM CHARACTER CODE

Upper 4bit Lower 4bit	0000	0001	0010	0011	0100	0101	0110	0111	1000	1001	1010	1011	1100	1101	1110	1111
0000	CG RAM (1)	☐	☐	☐	☐	☐	☐	☐	☐	☐	☐	☐	☐	☐	☐	☐
0001	CG RAM (2)	☐	☐	☐	☐	☐	☐	☐	☐	☐	☐	☐	☐	☐	☐	☐
0010	CG RAM (3)	☐	☐	☐	☐	☐	☐	☐	☐	☐	☐	☐	☐	☐	☐	☐
0011	CG RAM (4)	☐	☐	☐	☐	☐	☐	☐	☐	☐	☐	☐	☐	☐	☐	☐
0100	CG RAM (5)	☐	☐	☐	☐	☐	☐	☐	☐	☐	☐	☐	☐	☐	☐	☐
0101	CG RAM (6)	☐	☐	☐	☐	☐	☐	☐	☐	☐	☐	☐	☐	☐	☐	☐
0110	CG RAM (7)	☐	☐	☐	☐	☐	☐	☐	☐	☐	☐	☐	☐	☐	☐	☐
0111	CG RAM (8)	☐	☐	☐	☐	☐	☐	☐	☐	☐	☐	☐	☐	☐	☐	☐
1000	CG RAM (9)	☐	☐	☐	☐	☐	☐	☐	☐	☐	☐	☐	☐	☐	☐	☐
1001	CG RAM (1)	☐	☐	☐	☐	☐	☐	☐	☐	☐	☐	☐	☐	☐	☐	☐
1010	CG RAM (1)	☐	☐	☐	☐	☐	☐	☐	☐	☐	☐	☐	☐	☐	☐	☐
1011	CG RAM (4)	☐	☐	☐	☐	☐	☐	☐	☐	☐	☐	☐	☐	☐	☐	☐
1100	CG RAM (5)	☐	☐	☐	☐	☐	☐	☐	☐	☐	☐	☐	☐	☐	☐	☐
1101	CG RAM (6)	☐	☐	☐	☐	☐	☐	☐	☐	☐	☐	☐	☐	☐	☐	☐
1110	CG RAM (7)	☐	☐	☐	☐	☐	☐	☐	☐	☐	☐	☐	☐	☐	☐	☐
1111	CG RAM (8)	☐	☐	☐	☐	☐	☐	☐	☐	☐	☐	☐	☐	☐	☐	☐

## COMMANDS

Instruction	Instruction Code										Description	Description Time (270KHz)	
	RS	R/W	DB7	DB6	DB5	DB4	DB3	DB2	DB1	DB0			
Clear Display	0	0	0	0	0	0	0	0	0	0	1	Write "20H" to DDRAM. and set DDRAM address to "00H" from AC	1.52 ms
Return Home	0	0	0	0	0	0	0	0	0	1	x	Set DDRAM address to "00H" from AC and return cursor to its original position if shifted. The contents of DDRAM are not changed.	1.52 ms
Entry Mode Set	0	0	0	0	0	0	0	0	1	I/D	S	Sets cursor move direction and specifies display shift. These operations are performed during data write and read.	37 us
Display ON/OFF	0	0	0	0	0	0	0	1	D	C	B	D=1:entire display on C=1:cursor on B=1:cursor position on	37 us
Cursor or Display Shift	0	0	0	0	0	0	1	S/C	R/L	x	x	Set cursor moving and display shift control bit, and the direction, without changing DDRAM data.	37 us
Function Set	0	0	0	0	0	1	DL	N	F	x	x	DL:interface data is 8/4 bits N:number of line is 2/1 F:font size is 5x11/5x8	37 us
Set CGRAM address	0	0	0	1	AC5	AC4	AC3	AC2	AC1	AC0		Set CGRAM address in address counter	37 us
Set DDRAM address	0	0	1	AC6	AC5	AC4	AC3	AC2	AC1	AC0		Set DDRAM address in address counter	37 us
Read Busy flag and address	0	1	BF	AC6	AC5	AC4	AC3	AC2	AC1	AC0		Whether during internal operation or not can be known by reading BF. The contents of address counter can also be read.	0 us
Write data to RAM	1	0	D7	D6	D5	D4	D3	D2	D1	D0		Write data into internal RAM (DDRAM/CGRAM)	37 us
Read data from RAM	1	1	D7	D6	D5	D4	D3	D2	D1	D0		Read data from internal RAM (DDRAM/CGRAM)	37 us

**Note:**

Be sure the ST7066U is not in the busy state (BF = 0) before sending an instruction from the MPU to the ST7066U. If an instruction is sent without checking the busy flag, the time between the first instruction and next instruction will take much longer than the instruction time itself. Refer to Instruction Table for the list of each instruction execution time.

## **HANDLING PRECAUTION**

### **1. Mounting Method**

The panel of the LCD Module consists of two thin glass plates with polarizers which easily get damaged since the Module is fixed by utilizing fitting holes in the printed circuit board.

Extreme care should be taken when handling the LCD Modules.

### **2. Caution of LCD handling & cleaning**

When cleaning the display surface, use soft cloth with solvent (recommended below) and Wipe lightly.

-Isopropyl alcohol

-Ethyl alcohol

-Trichlorotrifluoroethane

Do not wipe the display surface with dry or hard materials that will damage the polarizer surface.

Do not use the following solvent :

-Water

-Kettle

-Aromatics

### **3. Caution against static charge**

The LCD Module use C-MOSLSI drivers, so we recommend that you connect any unused input terminal to VDD or VSS, do not input any signals before power is turned on. And ground your body, Work/assembly table. And assembly equipment to protect against static electricity.

### **4. Packaging**

-Modules use LCD elements, and must be treated as such. Avoid in tense shock and falls from a height.

-To prevent modules from degradation. Do not operate or store them exposed directly to sunshine or high temperature/humidity.



## 5. Caution for operation

-It is indispensable to drive LCD's with in the specified voltage limit since the higher voltage than the limit shorten LCD life.

An electrochemical reaction due to direct current causes LCD deterioration, Avoid the use of direct current drive.

-Response time will be extremely delayed at lower temperature than the operating temperature range and on the other hand at higher temperature LCD's show dark color in them. However those phenomena do not mean malfunction or out of order with LCD's. Which will come back in the specified operating temperature range.

- If the display area is pushed hard during operation, some font will be abnormally displayed but it resumes normal condition after turning off once.

- A slight dew depositing on terminals is a cause for electro-chemical reaction resulting in terminal open circuit. Usage under the relative condition of 40 °C , 50%RH or less is required.

## 6. Storage

In the case of storing for a long period of time (for instance. For years) for the purpose or replacement use, The following ways are recommended.

- Storage in a polyethylene bag with sealed so as not to enter fresh air outside in it, And with no desiccant.

- Placing in a dark place where neither exposure to direct sunlight nor light is. Keeping temperature in the specified storage temperature range.

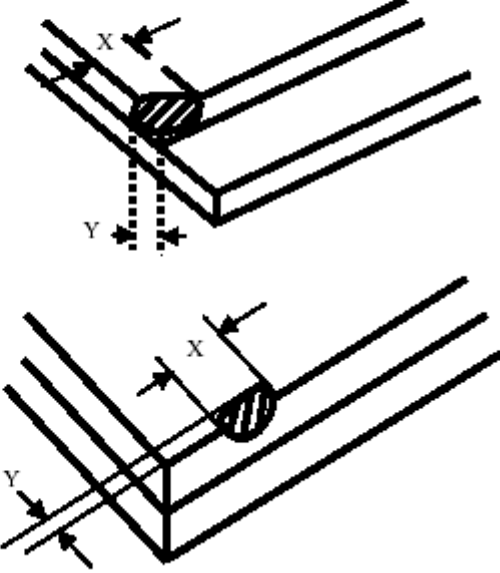
-Storing with no touch on polarizer surface by the anything else. (It is recommended to store them as they have been contained in the inner container at the time of delivery)

## 7. Safety

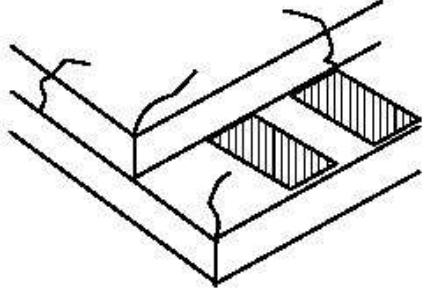

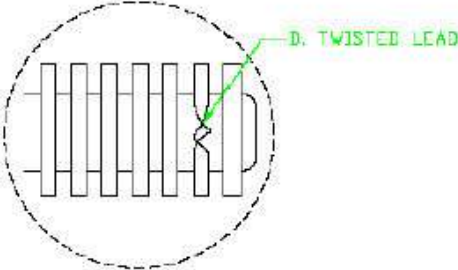
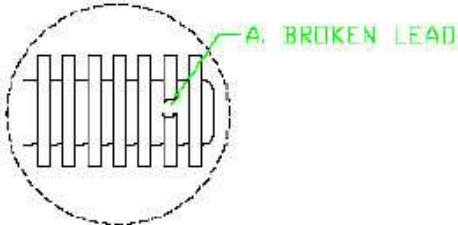
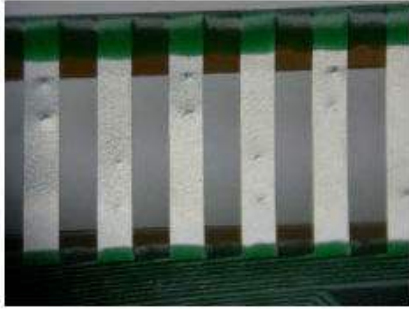
- It is recommendable to crash damaged or unnecessary LCD into pieces and wash off liquid crystal by using solvents such as acetone and ethanol. Which should be burned up later.

- When any liquid crystal leaked out of a damaged glass cell comes in contact with your hands, please wash it off well with soap and water.

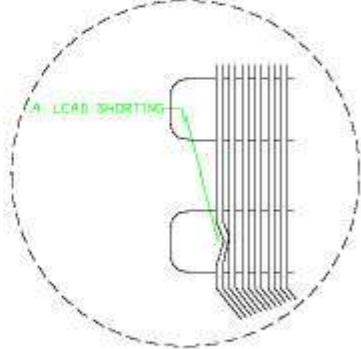
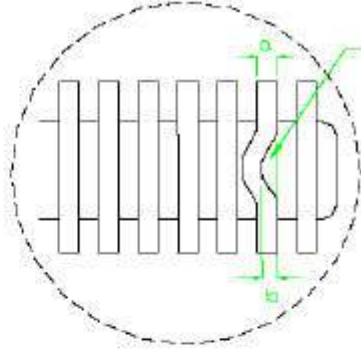
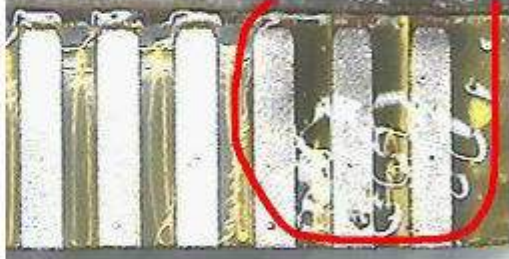
Cosmetic Check (Display Off) in Non-Active Area

Check Item	Classification	Criteria
<p style="text-align: center;">Panel General Chipping</p>	<p style="text-align: center;">Minor</p>	<p> <math>X &gt; 6 \text{ mm}</math> (Along with Edge)  <math>Y &gt; 1 \text{ mm}</math> (Perpendicular to edge)         </p> 

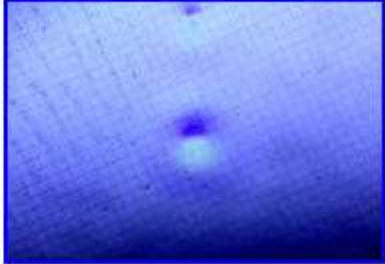
## Cosmetic Check (Display Off) in Non-Active Area (Continued)

Check Item	Classification	Criteria
Panel Crack	Minor	Any crack is not allowable. 
Copper Exposed (Even Pin or Film)	Minor	Not Allowable by Naked Eye Inspection
Film or Trace Damage	Minor	
Terminal Lead Twist	Minor	Not Allowable 
Terminal Lead Broken	Minor	Not Allowable 
Terminal Lead Prober Mark	Acceptable	

## Cosmetic Check (Display Off) in Non-Active Area (Continued)

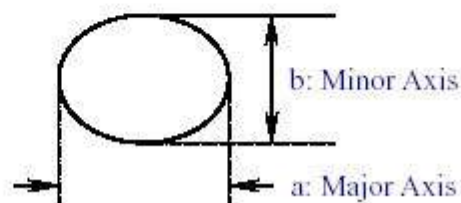
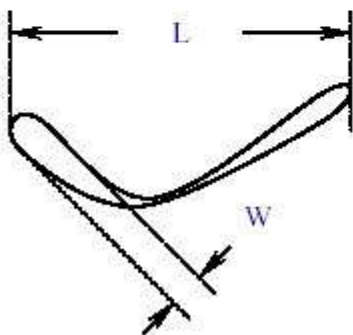
Check Item	Classification	Criteria
Terminal Lead Bent (Not Twist or Broken)	Minor	NG if any bent lead cause lead shorting. 
	Minor	NG for horizontally bent lead more than 50% of its width. 
Glue or Contamination on Pin (Couldn't Be Removed by Alcohol)	Minor	
Ink Marking on Back Side of panel (Exclude on Film)	Acceptable	Ignore for Any

### ! Cosmetic Check (Display Off) in Active Area


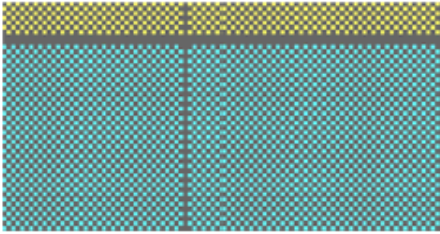
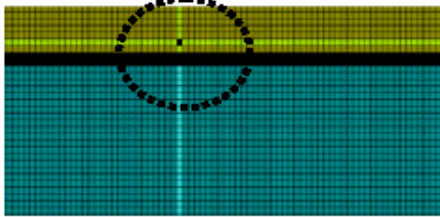
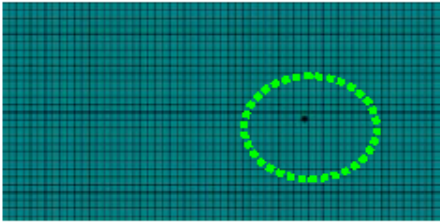
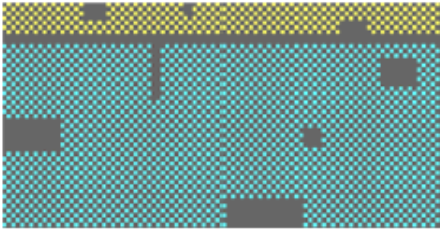
Check Item	Classification	Criteria
Any Dirt & Scratch on Polarizer's Protective Film	Acceptable	Ignore for not Affect the Polarizer
Scratches, Fiber, Line-Shape Defect (On Polarizer)	Minor	$W \leq 0.1$ Ignore $W > 0.1, L \leq 2$ $n \leq 1$ $L > 2$ $n = 0$
Dirt, Black Spot, Foreign Material, (On Polarizer)	Minor	$\Phi \leq 0.1$ Ignore $0.1 < \Phi \leq 0.25$ $n \leq 1$ $0.25 < \Phi$ $n = 0$
Dent, Bubbles, White spot (Any Transparent Spot on Polarizer)	Minor	$\Phi \leq 0.5$ → Ignore if no Influence on Display $0.5 < \Phi$ $n = 0$ 
Fingerprint, Flow Mark (On Polarizer)	Minor	Not Allowable

\* Protective film should not be tear off when cosmetic check.

\*\* Definition of W & L &  $\Phi$  (Unit: mm):  $\Phi = (a + b) / 2$



## Pattern Check (Display On) in Active Area

Check Item	Classification	Criteria
No Display	Major	
Flicker	Major	Not Allowable
Missing Line	Major	
Pixel Short	Major	
Darker Pixel	Major	
Wrong Display	Major	
Un-uniform	Major	