

# S CN BN - J 1 1 75 - SO PER

SUNTSU

CONNECTOR

BNC

Connector Type  
Jack

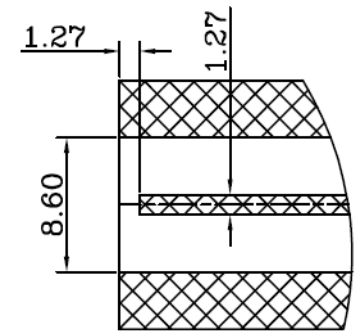
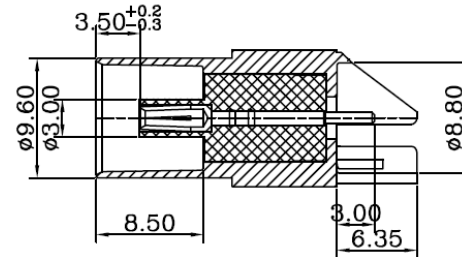
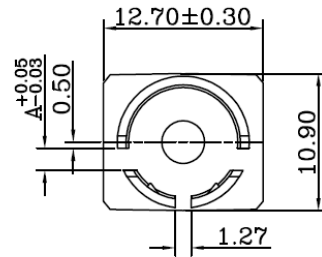
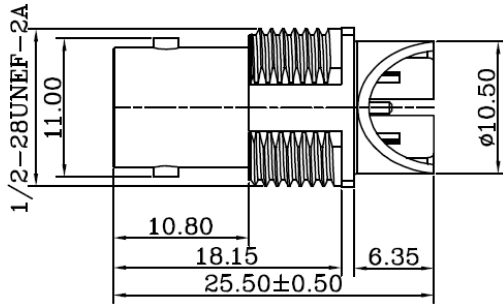
Rows

Connectors  
per Row

Impedance  
75

Contact Termination  
Solder

Mounting Style  
PCB Edge Mount  
Receptacle



Recommended  
Mounting  
Layout

1. Materials:

- a) Body: Zinc Nickel Plated
  - b) Contact: Brass Nickel Plated
2. Normal Impedance: 75Ω
  3. Frequency Range: 0-4 GHz
  4. Max Peak Voltage: 500V
  5. Dielectric Strength: 1500V RMS
  6. Insulation Resistance: 5000MΩ/Min



BNC FEMALE PCB EDGE MOUNT

Document History			
Edits Made	Date	Edited By	Approved By
Initial Release	03/23/2022	B. Gibbons	KH Mun

Part No.	SCNBN-J1175-SOPER		Drawn	B. Gibbons 03/23/2022	
Scale	Not drawn to scale		Tolerance	0.5-15 = ±0.15 15-30 = ±0.30 30-120 = ±0.60 >120 = ±1.00	
Unit	mm		Pages	1/1	